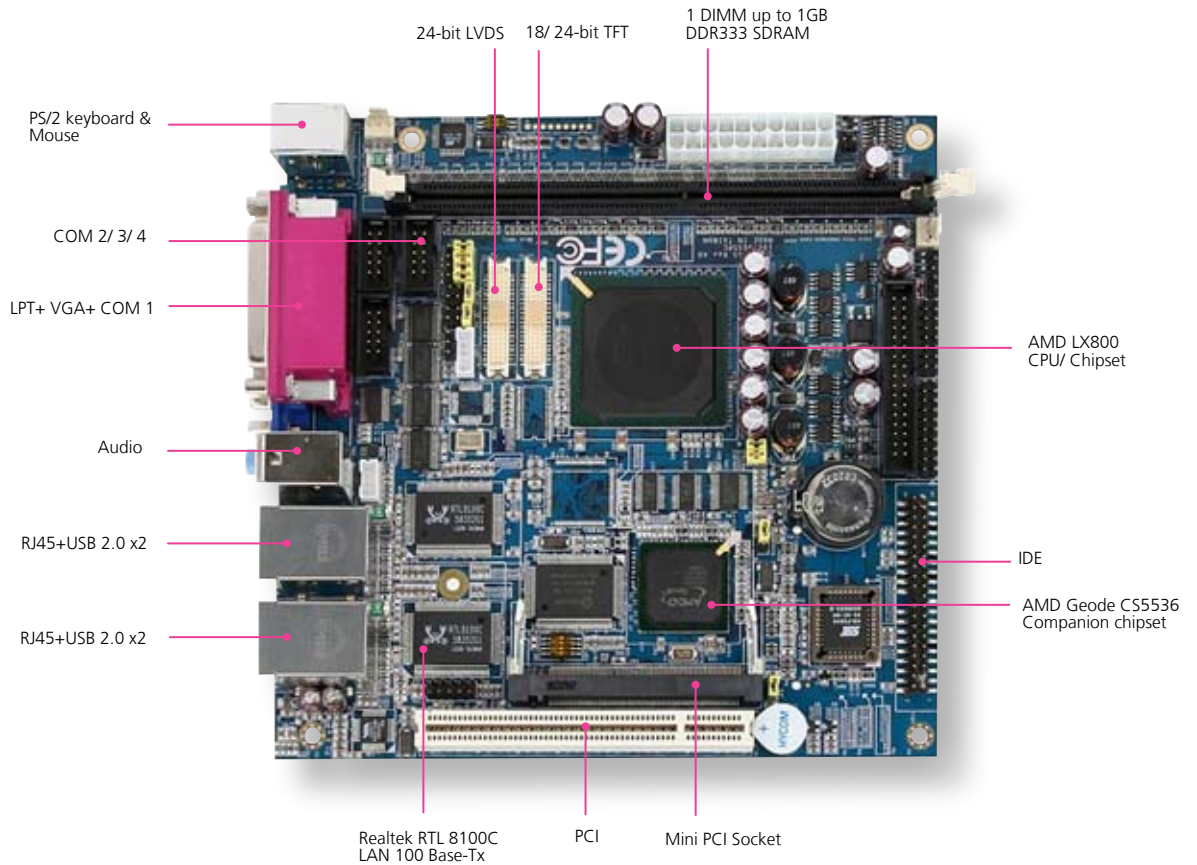


# EM-9620

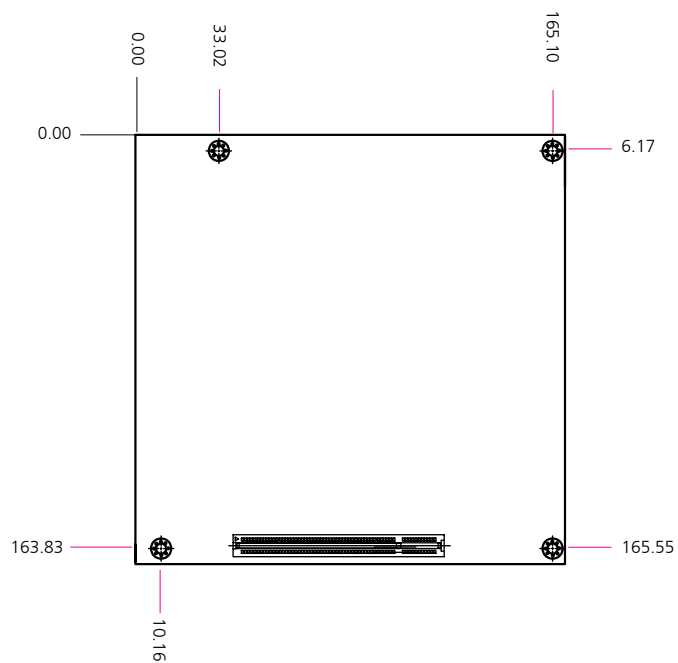
AMD Geode LX800 500 MHz Mini ITX motherboard

- VGA
- AUDIO
- LAN
- CF
- Mini PCI



## FEATURES

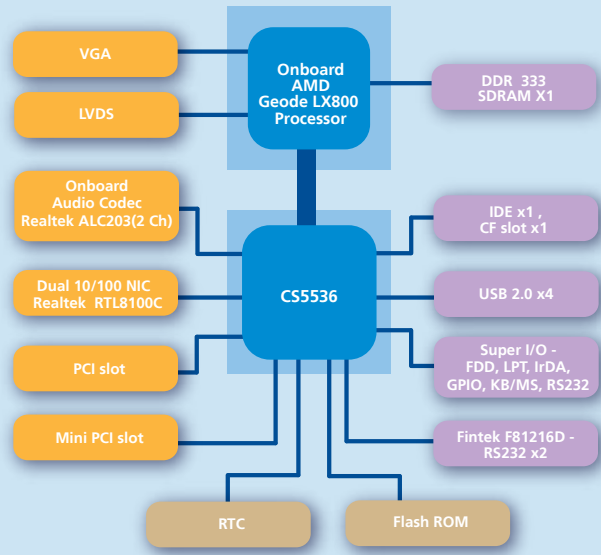
- Onboard AMD Geode LX800 500 MHz @ 0.9 W with 128K L2 Cache or 64K L1 Cache CPU
- AMD Geode CS5536 Companion Chip
- One DIMM up to 1 GB DDR 333 SDRAM
- 18/24-bit TFT, LVDS, Optional Built-in Touch Screen I/F
- Dual Realtek RTL8100C 10/100Mbps LAN
- 1 PCI, 1 Mini PCI, Type I/II CF
- 4 COM, 4 USB 2.0



**FEATURE DESCRIPTION**

<b>Platform</b>	Form Factor	Mini-ITX
	Processor	AMD Geode LX800
	Chipset	AMD Geode LX800 + CS5536
	BIOS	Award Flash BIOS
	Cache Memory	Processor Built-in
<b>System Memory</b>	Technology	DDR 333 SDRAM
	Max Capacity	1 GB
	Socket	184-pin DIMM x1
<b>Storage Interface</b>	IDE Interface	IDE x1
	Speed	10/100 Mbps
<b>Networking</b>	I/O	RJ45 x2
	Controller	Realteck RTL8100C
	Controller	AMD Geode LX800 with integrated 2D/3D Graphics Engine
<b>Display</b>	Shared memory	Support 32/64 MB frame buffer
	Output	Supports 18/24-bit TFT panel
	Controller	AMD Geode LX800 with integrated 2D/3D Graphics Engine
<b>Audio</b>	Codec	AMD Geode CS5536 with Realtek ALC203 supports 2 CH Audio
	I/O	Mic-in, Line-in, CD Audio-in, Line-out
<b>I/O Interface</b>	Floppy Drive Interface	FDD header x1
	Serial Port	RS-232 x 4
	Universal Serial Bus	4 (v2.0)
	Bus interface	PCI
	IR Interface	115k bps, IrDA 1.0 compliant
	Keyboard	PS/2
	Mouse	PS/2
<b>Hardware Monitoring</b>	Controller	Winbond W83627EHG-A intergated Hardware monitor funciton
	RTC	Winbond W83627EHG-A integrated RTC with Li-Battery
	Watchdog timer	256-level time-out intervals
<b>Cooling</b>	Heatsink	
<b>Expansion</b>	PCI slot x1 , Mini PCI slot x 1	
<b>Environmental Parameters</b>	Temperature, ambient operating	0~60°C (32~140°F)
	Humidity (RH), ambient operating	0%~90% relative humidity, non-condensing
	Storage Temperature	-20~70°C (-4~158°F)
<b>Physical Dimensions</b>	Dimensions	170 mm x 170 mm (6.69" x 6.69" )
	Input	DC +3.3V/+5V/+12V/+5Vsb
<b>Power</b>	Form Factor	ATX support
	Consumption	+5 V @ 3.34 A, +12 V @ 0.09 A, +3.3 V @ 3.74 A, 5 Vsb @ 0.23 A (with Intel® Pentium® M 1.8 GHz & 256 MB DDR SDRAM)
<b>Compliance</b>	CE, FCC,RoHS	

**PLATFORM ARCHITECTURE**



**About Lanner**

Founded in 1986 and publicly listed (TAIEX 6245) since 2003, Lanner Electronics Inc. is an ISO 9001 certified designer and manufacturer of reliable, frontline security, storage and applied computing platforms and solutions. With headquarters in Taipei, Taiwan and branches in the U.S., India, and China, Lanner is uniquely positioned to deliver custom technical solutions with localized, value-added service.

**Contact information**

Lanner Electronics Inc  
 7F, 173, Section 2 Datong road  
 Sijhih City, Taipei County 221, Taiwan

**T** +886 2 86926060

**F** +886 2 86926101

**E** sales@lannerinc.com

**W** www.lannerinc.com