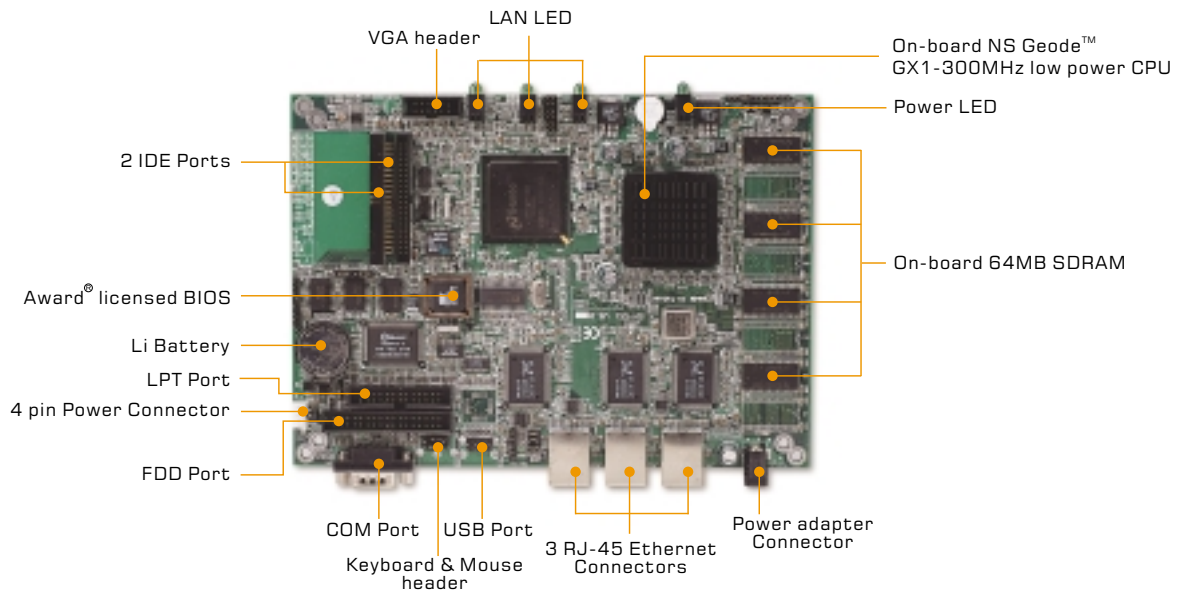


EM-551



5.25" NS Geode™ GX1-300 SBC with VGA/ 3xLAN



FEATURES

- On-board NS Geode™ GX1-300 MHz low power CPU
- NS CS5530A chipset
- On-board 64MB SDRAM
- Built-in three 10/100 Base-TX interface and RJ-45 connectors with Link and Active signal header
- 5.25" Form Factor, special design for Firewall and network applications

SPECIFICATION

CPU

On-board NS Geode™ GX1-300MHz low power CPU

Chipset

NS CS5530A chipset

BIOS

256KB Award® license BIOS

System Memory

On board 64MB SDRAM

VGA/LCD

NS CS5530A, shared memory 2MB, resolution up to 1024x768@64k colors (12-pin header with housing)

Ethernet

3 x Realtek 8139C chip, support 3 x 10/100 Base-TX Ethernet, 3 x RJ-45 external connectors with Link and Active signal header

IDE Interface

2 PCI IDE ports support up to 4 IDE devices. Support PIO mode 4 and Bus Master. Also support Multi-word DMA and Ultra DMA/33.

Floppy Drive Interface

1 FDD port, support up to 2 floppy devices

Serial Port

1 COM port, (RS-232 DB-9connector)

Parallel Port

1 Multi-mode parallel port (SPP/EPP/ECP)

Universal Serial Bus

Support 2 USB header

Keyboard/Mouse Connector

On-board 6 pin header

RTC

Internal RTC with Li battery

Power Management

I/O peripheral devices support power saving and doze/standby/ suspend modes.APM 1.2 compliant

Power Connector

On-board 4 pin internal power connector (+5, GND, GND, NC), power adapter connector (+5, GND)

Power Consumption

+5V@1.94A (GX1-300, 32MB SDRAM)

Operating Temperature

0°C~60°C

Humidity

5% ~ 95% RH, non-condense

Dimensions

203 x 146 mm (8" x 5 3/4")

Net Weight

220g (0.48 pounds)