

Pixie

MCP61PM-AM

ET82 REV:A

PCB:15-V01-010010
BOM:81-685-V01000

REV:B

PCB:15-V01-010020
BOM:81-685-V01010 MCP61-S
BOM:81-685-V01020 MCP61-P

REV:1.0

PCB:15-V01-011000
BOM:81-685-V01100 MCP61-S
BOM:81-685-V01101 MCP61-P
BOM:81-685-V01102 MCP61-S W/O 1394


REV:1.0A

PCB:15-V01-011010

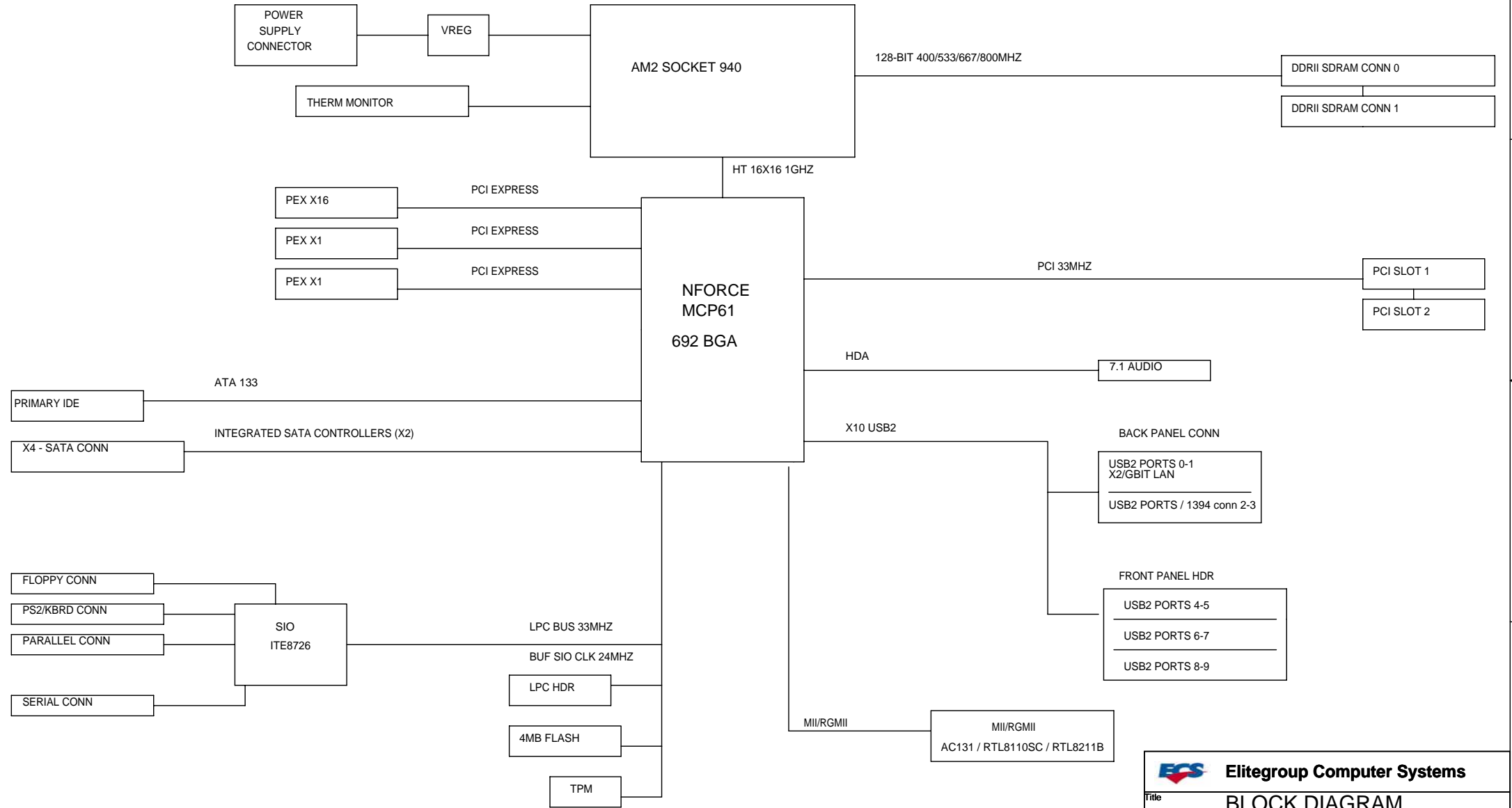
Page Index


- 01-COVER PAGE
- 02-BLOCK DIAGRAM
- 03-BLOCK DISTRIBUTION
- 04-CPU M2-1 HyperTransport
- 05-CPU M2-1 DDR2
- 06-CPU M2-3 Miscellany
- 07-CPU M2-4 Power and Ground
- 08-DDR2 DIMM
- 09-DDR2 DIMM
- 10-DDR2 Termination
- 11-MCP61 HT
- 12-MCP61 PCI-E X16
- 13-MCP61 PCI-E X1/RGMII/DAC
- 14-MCP61 PCI
- 15-MCP61 SATA/IDE
- 16-MCP61 AUDIO/USB/MISC
- 17-MCP61 PWR/GND
- 18-MCP61 DECOUPLING/SPI
- 19-VGA
- 20-1394(TI 23A)
- 21-LAN 88E8056
- 22-PCI-E X16 CONN
- 23-PCI1/PCI2
- 24-PCI-E X1/TPM
- 25-LPC SIO-ITE8726/FDD
- 26-PS2/COM/LPT
- 27-USB
- 28-AUDIO ALC888/883
- 29-AUDIO ALC888/883(PANEL)
- 30-PWR CON/FNT PNL
- 31-CPU VCORE
- 32-DC-DC
- 33-ATTENTION

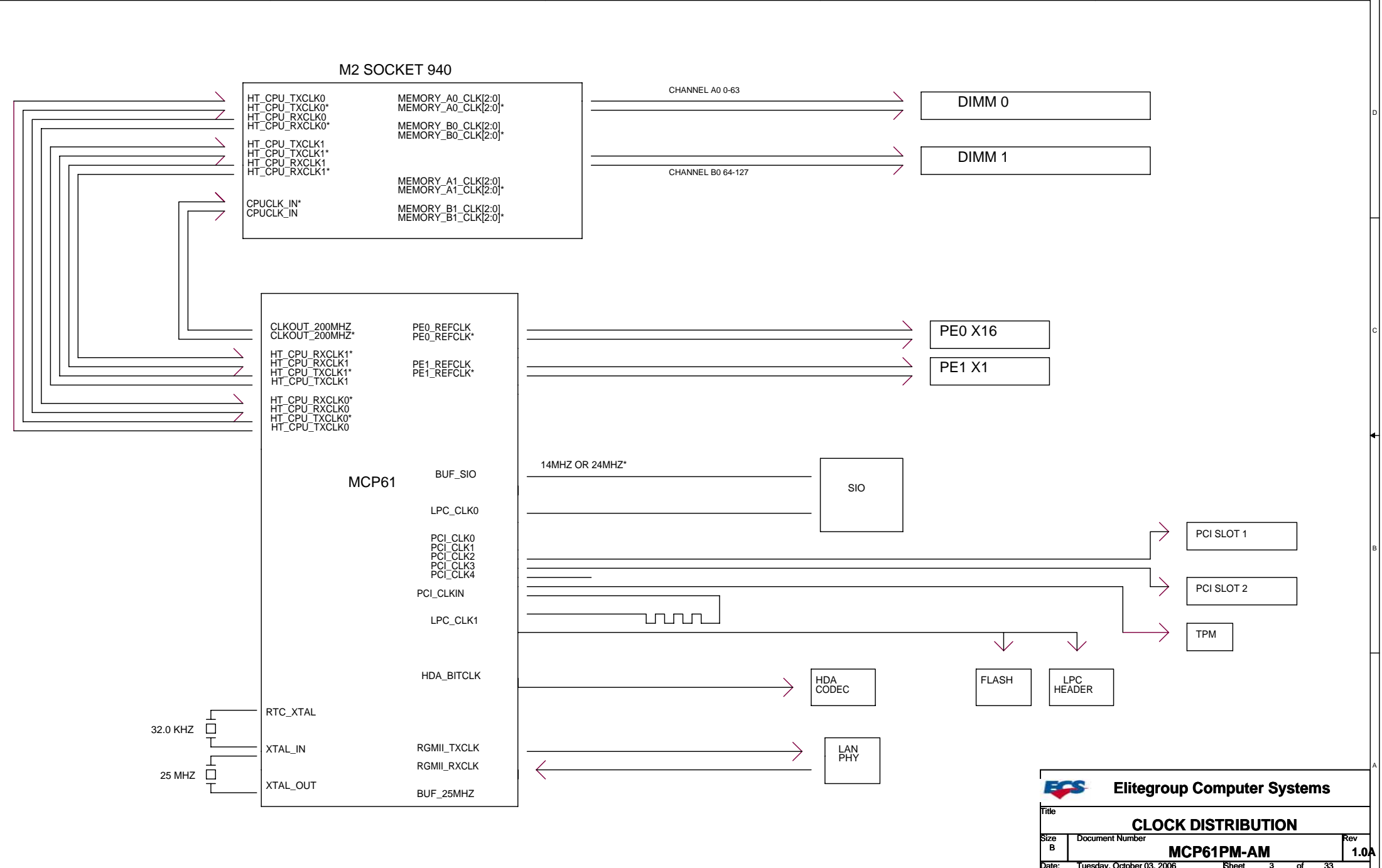
	<i>Signature</i>	<i>Date</i>
<i>Designer</i>	Jeff Lee	05/24/2006
<i>Layout</i>		
<i>Check</i>		
<i>Approval</i>		


 Elitegroup Computer Systems		
Title COVER PAGE		
Size B	Document Number MCP61PM-AM	Rev 1.0A
Date: Tuesday, October 03, 2006	Sheet 1	of 33

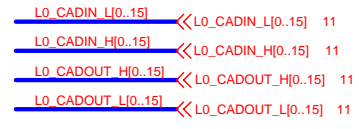
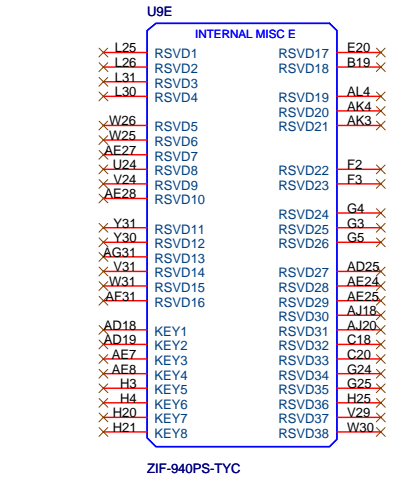
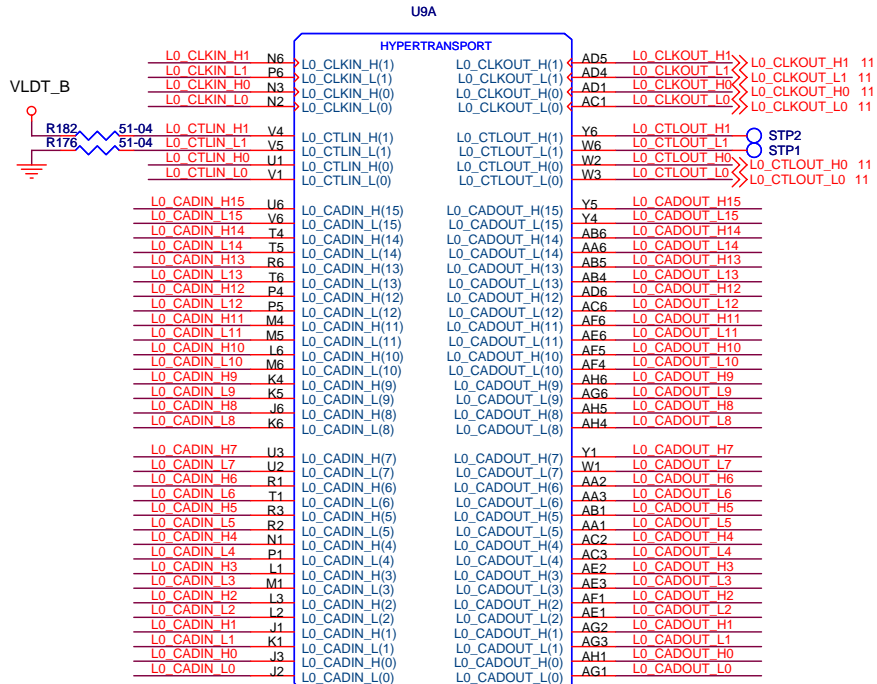
BLOCK DIAGRAM



 Elitegroup Computer Systems		
Title BLOCK DIAGRAM		
Size B	Document Number MCP61PM-AM	Rev 1.0A
Date: Tuesday, October 03, 2006 Sheet 2 of 33		



 Elitegroup Computer Systems			
Title CLOCK DISTRIBUTION			
Size B	Document Number MCP61PM-AM	Rev 1.0A	
Date: Tuesday, October 03, 2006		Sheet 3 of 33	

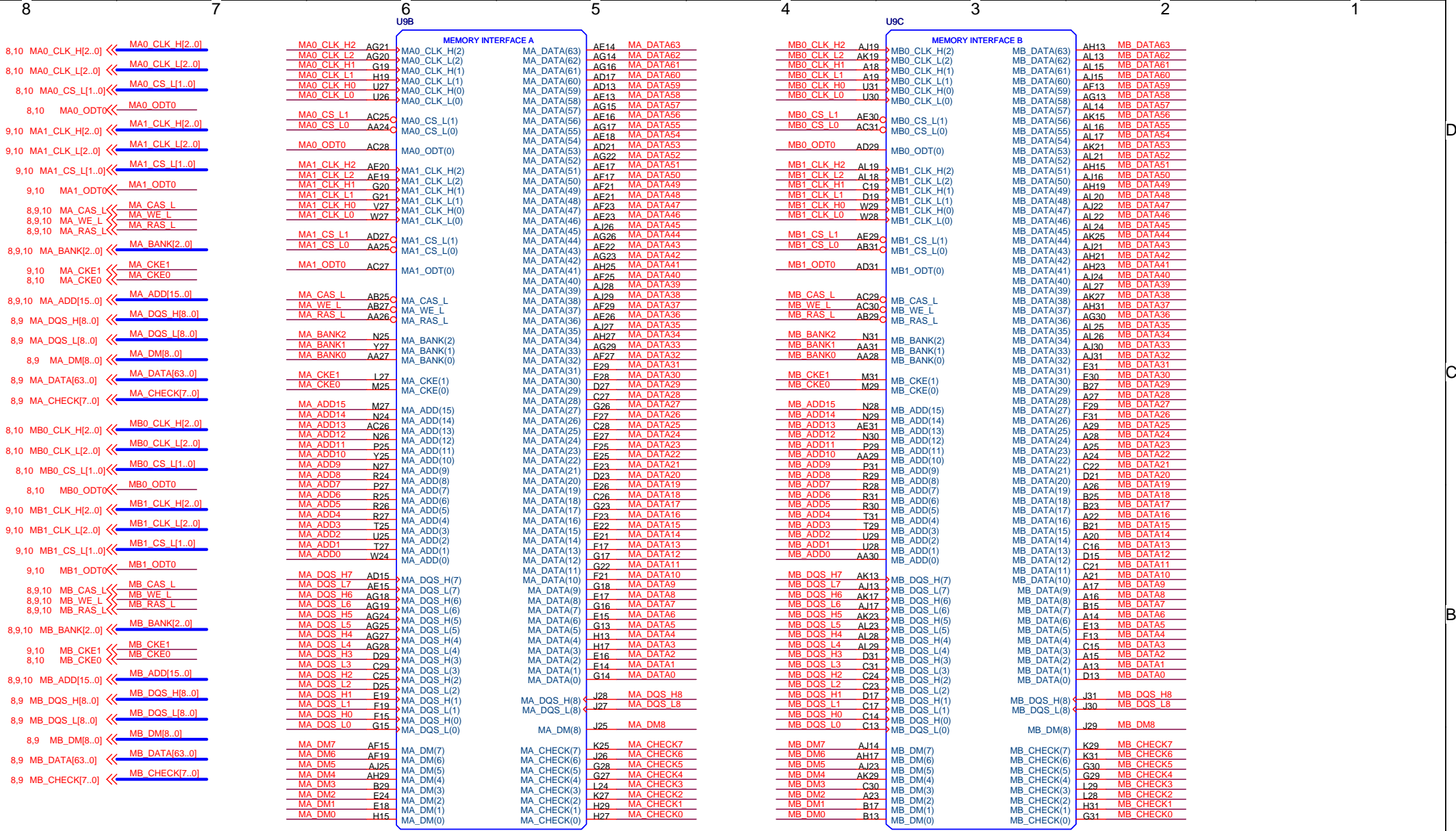


ECS Elitegroup Computer Systems

Title: CPU M2-1 HyperTransport

Size B Document Number: MCP61PM-AM Rev 1.0A

Date: Tuesday, October 03, 2006 Sheet 4 of 33



ZIF-940PS-TYC

ZIF-940PS-TYC

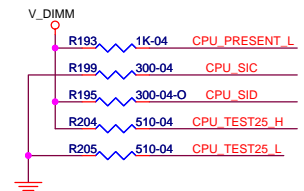
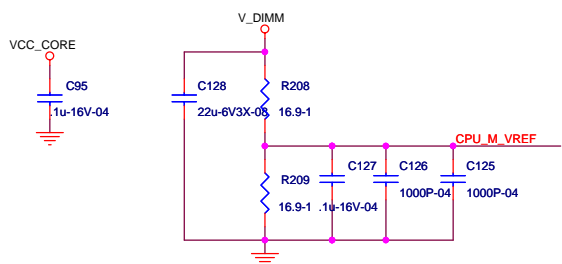
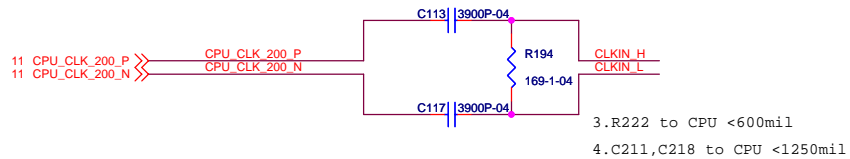
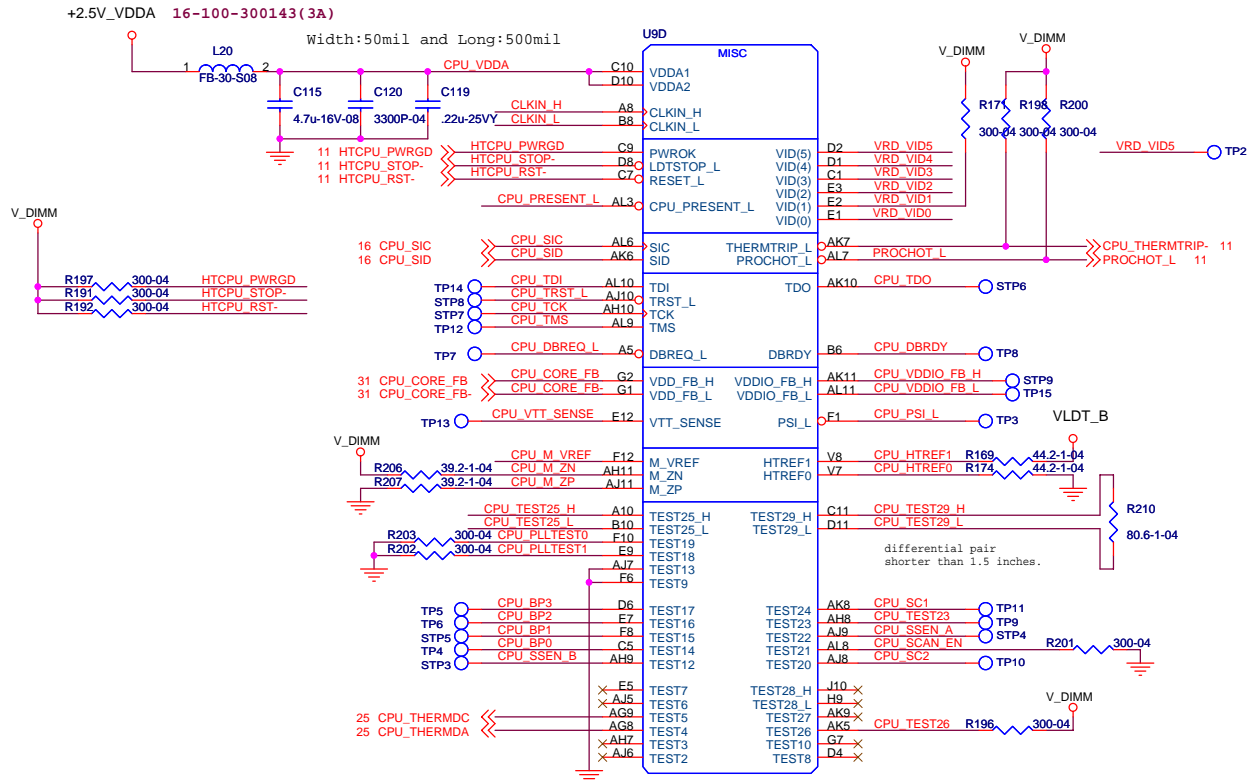
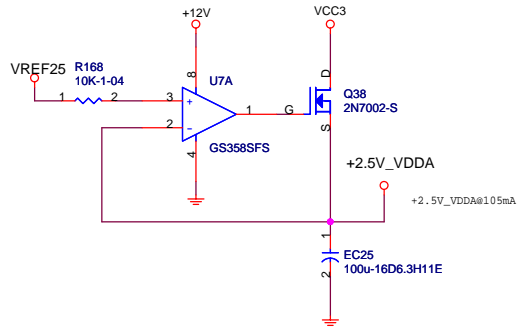
Elitegroup Computer Systems

Title: **CPU M2-2 DDR2**

Size B: **Document Number MCP61PM-AM** Rev **1.0A**

Date: **Tuesday, October 03, 2006** Sheet **5** of **33**

+2.5V_VDDA for CPU PLL

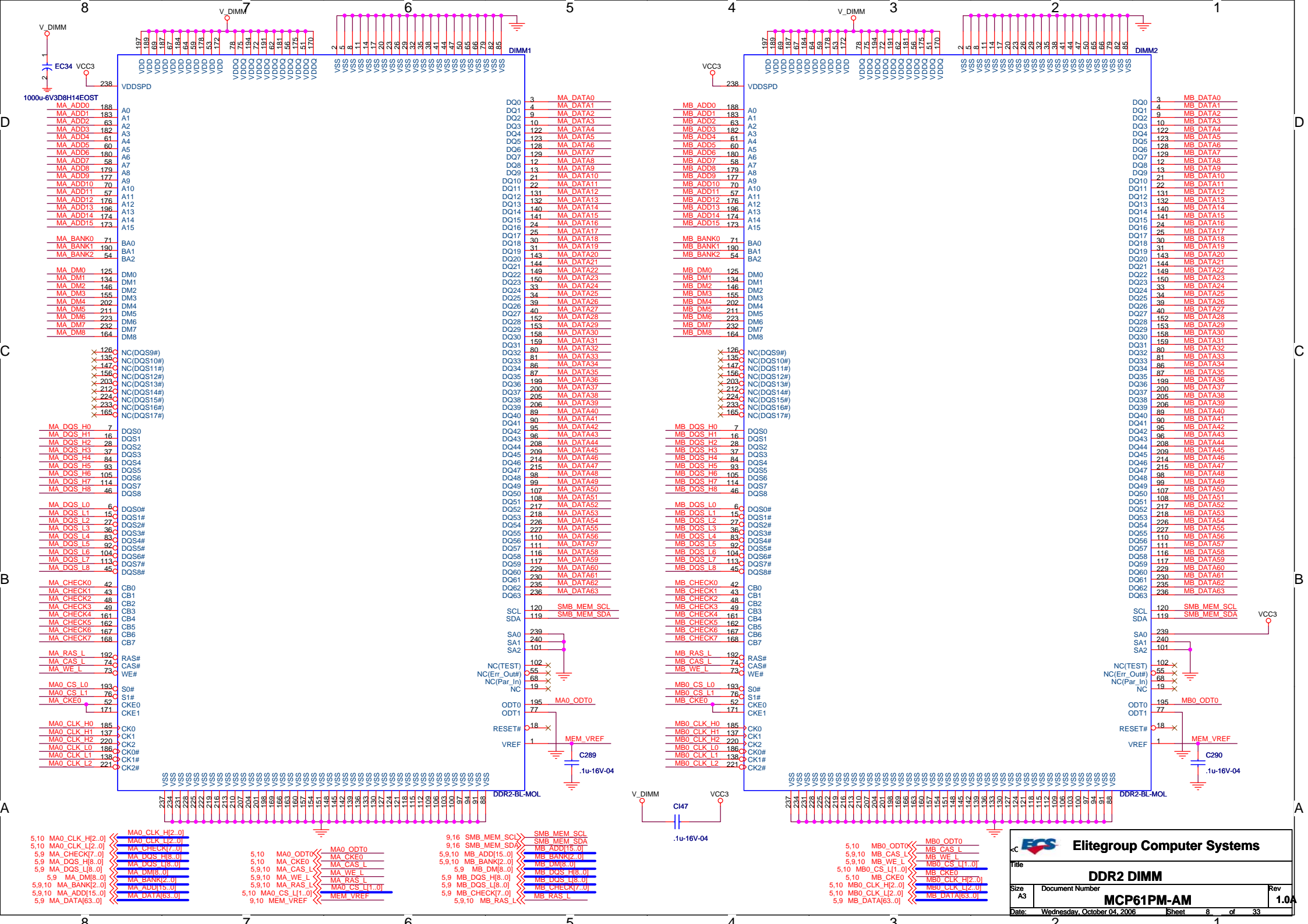


Elitegroup Computer Systems

CPU M2-3 Miscellany

Size B Document Number **MCP61PM-AM** Rev 1.0A

Date: Wednesday, October 04, 2006 Sheet 6 of 33



1000u-6V3D8H14EOST

EC34

VCC3

VDDSPD

VDD

VSS

VDDQ

VSS

VDD

VSS

VDDQ

VSS

VDD

VSS

VDDQ

VSS

VDD

VSS

VDDQ

VSS

VDD

VSS

VDDQ

VSS

VDD

VSS

VDDQ

VSS

VDD

VSS

VDDQ

VSS

VDD

VSS

VDDQ

VSS

VDD

VSS

VDDQ

VSS

VDD

VSS

VDDQ

VSS

VDD

VSS

VDDQ

VSS

VDD

VSS

VDDQ

VSS

VDD

VSS

VDDQ

VSS

VDD

VSS

VDDQ

VSS

VDD

VSS

VDDQ

VSS

VDD

VSS

VDDQ

VSS

VDD

VSS

VDDQ

VSS

VDD

VSS

VDDQ

VSS

VDD

VSS

VDDQ

VSS

VDD

VSS

VDDQ

VSS

VDD

VSS

VDDQ

VSS

VDD

VSS

VDDQ

VSS

VDD

VSS

VDDQ

VSS

VDD

VSS

VDDQ

VSS

VDD

VSS

VDDQ

VSS

VDD

VSS

VDDQ

VSS

VDD

VSS

VDDQ

VSS

VDD

VSS

VDDQ

VSS

VDD

VSS

VDDQ

VSS

VDD

VSS

VDDQ

VSS

VDD

VSS

VDDQ

VSS

VDD

VSS

VDDQ

VSS

VDD

VSS

VDDQ

VSS

VDD

VSS

VDDQ

VSS

VDD

VSS

VDDQ

VSS

VDD

VSS

VDDQ

VSS

VDD

VSS

VDDQ

VSS

VDD

VSS

VDDQ

VSS

VDD

VSS

VDDQ

VSS

VDD

VSS

VDDQ

VSS

VDD

VSS

VDDQ

VSS

VDD

VSS

VDDQ

VSS

VDD

VSS

VDDQ

VSS

VDD

VSS

VDDQ

VSS

VDD

VSS

VDDQ

VSS

VDD

VSS

VDDQ

VSS

VDD

VSS

VDDQ

VSS

VDD

VSS

VDDQ

VSS

VDD

VSS

VDDQ

VSS

VDD

VSS

VDDQ

VSS

VDD

VSS

VDDQ

VSS

VDD

VSS

VDDQ

VSS

VDD

VSS

VDDQ

VSS

VDD

VSS

VDDQ

VSS

VDD

VSS

VDDQ

VSS

VDD

VSS

VDDQ

VSS

VDD

VSS

VDDQ

VSS

VDD

VSS

VDDQ

VSS

VDD

VSS

VDDQ

VSS

VDD

VSS

VDDQ

VSS

VDD

VSS

VDDQ

VSS

VDD

VSS

VDDQ

VSS

VDD

VSS

VDDQ

VSS

VDD

VSS

VDDQ

VSS

VDD

VSS

VDDQ

VSS

VDD

VSS

VDDQ

VSS

VDD

VSS

VDDQ

VSS

VDD

VSS

VDDQ

VSS

VDD

VSS

VDDQ

VSS

VDD

VSS

VDDQ

VSS

VDD

VSS

VDDQ

VSS

VDD

VSS

VDDQ

VSS

VDD

VSS

VDDQ

VSS

VDD

VSS

VDDQ

VSS

VDD

VSS

VDDQ

VSS

VDD

VSS

VDDQ

VSS

VDD

VSS

VDDQ

VSS

VDD

VSS

VDDQ

VSS

VDD

VSS

VDDQ

VSS

VDD

VSS

VDDQ

VSS

VDD

VSS

VDDQ

VSS

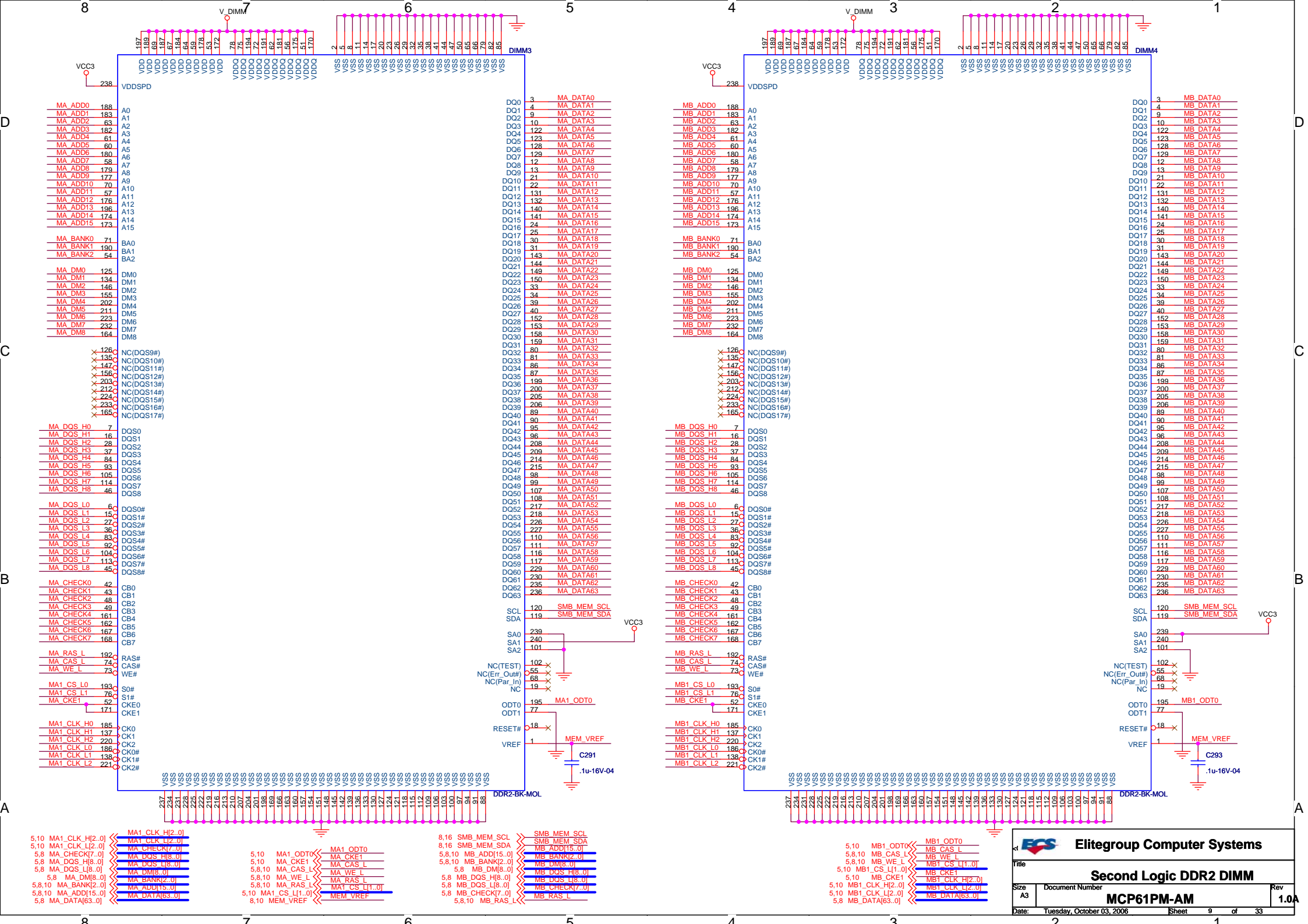
VDD

VSS

VDDQ

VSS

VDD



MA ADD0 188 A0
 MA ADD1 183 A1
 MA ADD2 63 A2
 MA ADD3 182 A3
 MA ADD4 61 A4
 MA ADD5 60 A5
 MA ADD6 180 A6
 MA ADD7 58 A7
 MA ADD8 179 A8
 MA ADD9 177 A9
 MA ADD10 70 A10
 MA ADD11 57 A11
 MA ADD12 176 A12
 MA ADD13 196 A13
 MA ADD14 174 A14
 MA ADD15 173 A15

MA BANK0 71 BA0
 MA BANK1 190 BA1
 MA BANK2 54 BA2

MA DM0 125 DM0
 MA DM1 134 DM1
 MA DM2 146 DM2
 MA DM3 155 DM3
 MA DM4 202 DM4
 MA DM5 211 DM5
 MA DM6 223 DM6
 MA DM7 232 DM7
 MA DM8 164 DM8

NC(DQS9#) 126C
 NC(DQS10#) 135C
 NC(DQS11#) 147C
 NC(DQS12#) 156C
 NC(DQS13#) 203C
 NC(DQS14#) 212C
 NC(DQS15#) 224C
 NC(DQS16#) 233C
 NC(DQS17#) 165C

MA DOS H0 7 DQS0
 MA DOS H1 16 DQS1
 MA DOS H2 28 DQS2
 MA DOS H3 37 DQS3
 MA DOS H4 84 DQS4
 MA DOS H5 93 DQS5
 MA DOS H6 105 DQS6
 MA DOS H7 114 DQS7
 MA DOS H8 46 DQS8

MA DOS L0 6 DQS0#
 MA DOS L1 15 DQS1#
 MA DOS L2 27 DQS2#
 MA DOS L3 36 DQS3#
 MA DOS L4 83 DQS4#
 MA DOS L5 92 DQS5#
 MA DOS L6 104 DQS6#
 MA DOS L7 113 DQS7#
 MA DOS L8 45 DQS8#

MA CHECK0 42 CB0
 MA CHECK1 43 CB1
 MA CHECK2 49 CB2
 MA CHECK3 49 CB3
 MA CHECK4 161 CB4
 MA CHECK5 162 CB5
 MA CHECK6 167 CB6
 MA CHECK7 168 CB7

MA RAS L 192 RAS#
 MA CAS L 74 CAS#
 MA WE L 73 WE#

MA1 CS L0 193 S0#
 MA1 CS L1 76 S1#
 MA CKE1 171 CKE0
 MA1 CKE1 CKE1

MA1 CLK H0 185 CK0
 MA1 CLK H1 137 CK1
 MA1 CLK H2 220 CK2
 MA1 CLK L0 186 CK0#
 MA1 CLK L1 138 CK1#
 MA1 CLK L2 221 CK2#

5,10 MA1_CLK_H[2..0] MA1_CLK_H[2..0]
 5,10 MA1_CLK_L[2..0] MA1_CLK_L[2..0]
 5,10 MA_CHECK[7..0] MA_CHECK[7..0]
 5,8 MA_DOS_H[8..0] MA_DOS_H[8..0]
 5,8 MA_DOS_L[8..0] MA_DOS_L[8..0]
 5,8 MA_DM[8..0] MA_DM[8..0]
 5,8,10 MA_BANK[2..0] MA_BANK[2..0]
 5,8,10 MA_ADD[15..0] MA_ADD[15..0]
 5,8 MA_DATA[63..0] MA_DATA[63..0]

5,10 MA1_ODT0 MA1_ODT0
 5,10 MA_CKE1 MA_CKE1
 5,8,10 MA_CAS_L MA_CAS_L
 5,8,10 MA_WE_L MA_WE_L
 5,8,10 MA_RAS_L MA_RAS_L
 5,10 MA1_CS_L[1..0] MA1_CS_L[1..0]
 8,10 MEM_VREF MEM_VREF

8,16 SMB_MEM_SCL SMB_MEM_SCL
 8,16 SMB_MEM_SDA SMB_MEM_SDA
 5,8,10 MB_ADD[15..0] MB_ADD[15..0]
 5,8,10 MB_BANK[2..0] MB_BANK[2..0]
 5,8 MB_DM[8..0] MB_DM[8..0]
 5,8 MB_DOS_H[8..0] MB_DOS_H[8..0]
 5,8 MB_DOS_L[8..0] MB_DOS_L[8..0]
 5,8 MB_CHECK[7..0] MB_CHECK[7..0]
 5,8,10 MB_RAS_L MB_RAS_L

MB ADD0 188 A0
 MB ADD1 183 A1
 MB ADD2 63 A2
 MB ADD3 182 A3
 MB ADD4 61 A4
 MB ADD5 60 A5
 MB ADD6 180 A6
 MB ADD7 58 A7
 MB ADD8 179 A8
 MB ADD9 177 A9
 MB ADD10 70 A10
 MB ADD11 57 A11
 MB ADD12 176 A12
 MB ADD13 196 A13
 MB ADD14 174 A14
 MB ADD15 173 A15

MB BANK0 71 BA0
 MB BANK1 190 BA1
 MB BANK2 54 BA2

MB DM0 125 DM0
 MB DM1 134 DM1
 MB DM2 146 DM2
 MB DM3 155 DM3
 MB DM4 202 DM4
 MB DM5 211 DM5
 MB DM6 223 DM6
 MB DM7 232 DM7
 MB DM8 164 DM8

NC(DQS9#) 126C
 NC(DQS10#) 135C
 NC(DQS11#) 147C
 NC(DQS12#) 156C
 NC(DQS13#) 203C
 NC(DQS14#) 212C
 NC(DQS15#) 224C
 NC(DQS16#) 233C
 NC(DQS17#) 165C

MB DOS H0 7 DQS0
 MB DOS H1 16 DQS1
 MB DOS H2 28 DQS2
 MB DOS H3 37 DQS3
 MB DOS H4 84 DQS4
 MB DOS H5 93 DQS5
 MB DOS H6 105 DQS6
 MB DOS H7 114 DQS7
 MB DOS H8 46 DQS8

MB DOS L0 6 DQS0#
 MB DOS L1 15 DQS1#
 MB DOS L2 27 DQS2#
 MB DOS L3 36 DQS3#
 MB DOS L4 83 DQS4#
 MB DOS L5 92 DQS5#
 MB DOS L6 104 DQS6#
 MB DOS L7 113 DQS7#
 MB DOS L8 45 DQS8#

MB CHECK0 42 CB0
 MB CHECK1 43 CB1
 MB CHECK2 49 CB2
 MB CHECK3 49 CB3
 MB CHECK4 161 CB4
 MB CHECK5 162 CB5
 MB CHECK6 167 CB6
 MB CHECK7 168 CB7

MB RAS L 192 RAS#
 MB CAS L 74 CAS#
 MB WE L 73 WE#

MB1 CS L0 193 S0#
 MB1 CS L1 76 S1#
 MB CKE1 171 CKE0
 MB1 CKE1 CKE1

MB1 CLK H0 185 CK0
 MB1 CLK H1 137 CK1
 MB1 CLK H2 220 CK2
 MB1 CLK L0 186 CK0#
 MB1 CLK L1 138 CK1#
 MB1 CLK L2 221 CK2#

5,10 MB1_ODT0 MB1_ODT0
 5,8,10 MB_CAS_L MB_CAS_L
 5,8,10 MB_WE_L MB_WE_L
 5,10 MB1_CS_L[1..0] MB1_CS_L[1..0]
 5,10 MB1_CKE1 MB1_CKE1
 5,10 MB1_CLK_H[2..0] MB1_CLK_H[2..0]
 5,10 MB1_CLK_L[2..0] MB1_CLK_L[2..0]
 5,8 MB1_DATA[63..0] MB1_DATA[63..0]

5,10 MB1_ODT0 MB1_ODT0
 5,8,10 MB_CAS_L MB_CAS_L
 5,8,10 MB_WE_L MB_WE_L
 5,10 MB1_CS_L[1..0] MB1_CS_L[1..0]
 5,10 MB1_CKE1 MB1_CKE1
 5,10 MB1_CLK_H[2..0] MB1_CLK_H[2..0]
 5,10 MB1_CLK_L[2..0] MB1_CLK_L[2..0]
 5,8 MB1_DATA[63..0] MB1_DATA[63..0]

Elitegroup Computer Systems

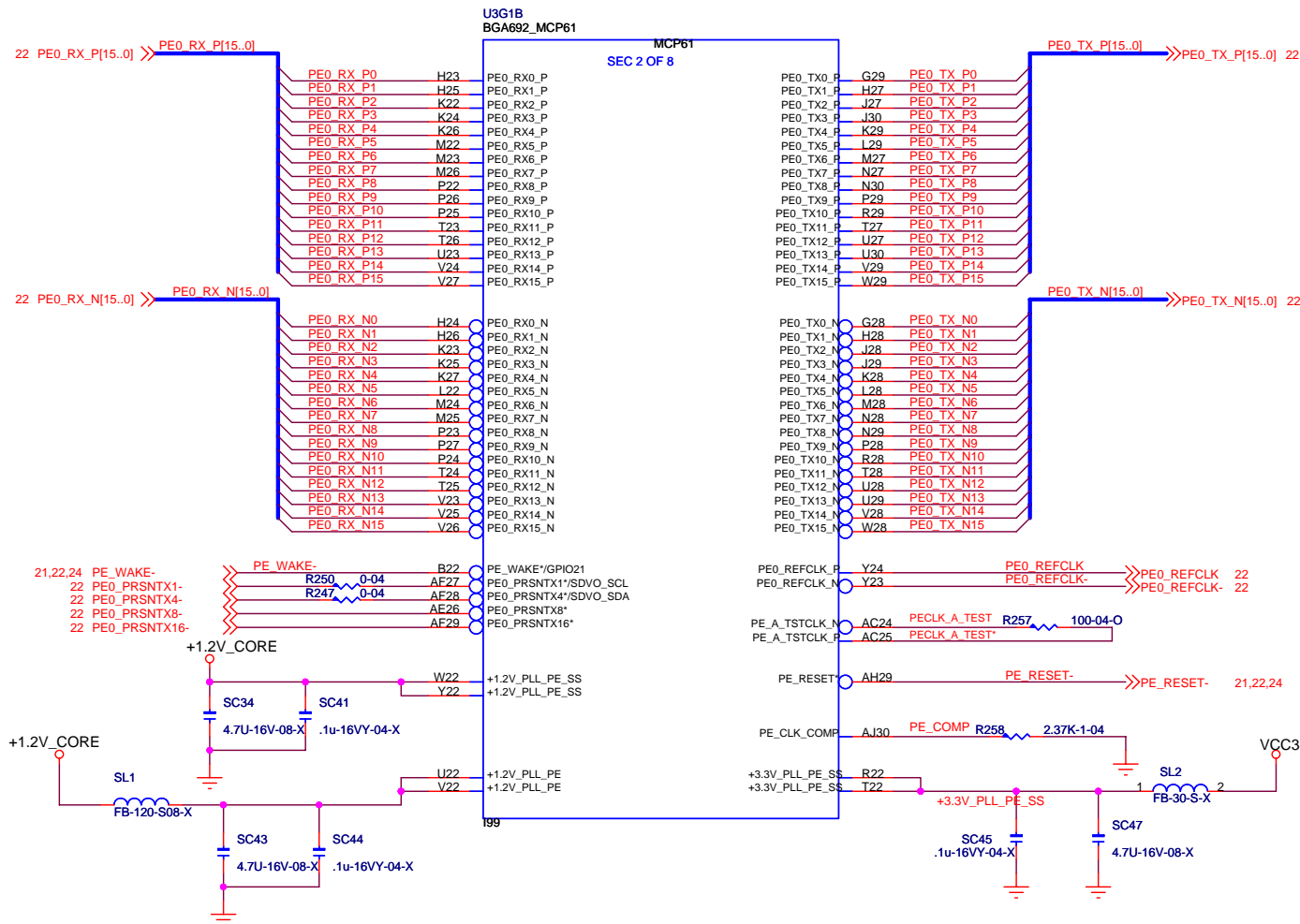
File: _____

Second Logic DDR2 DIMM

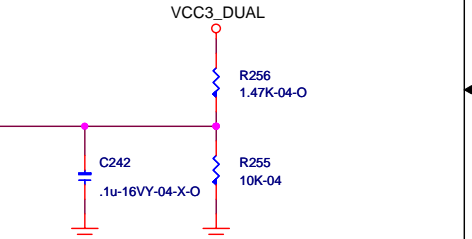
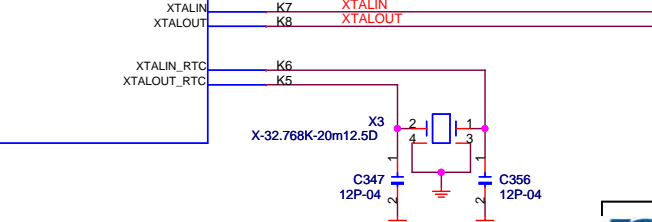
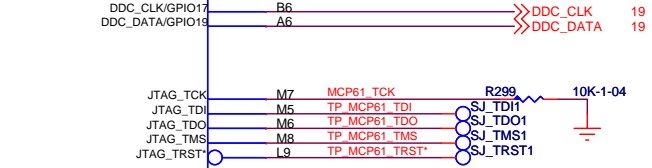
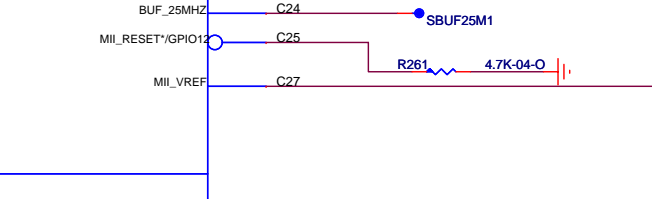
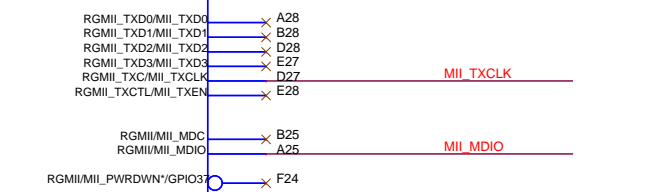
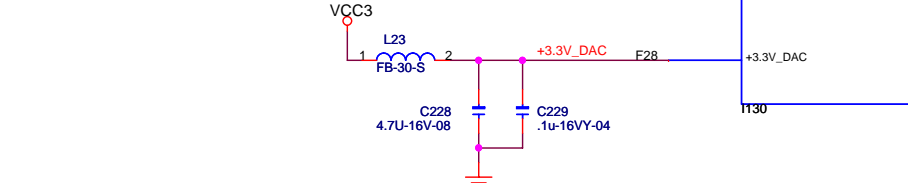
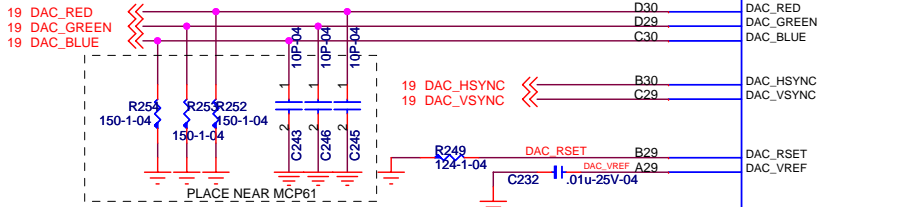
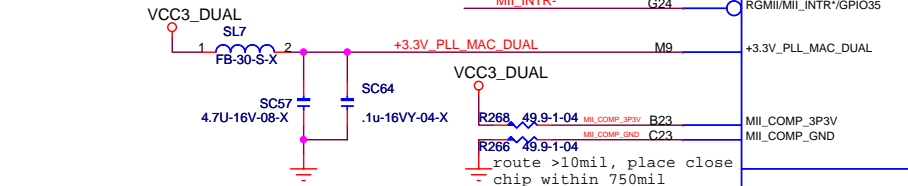
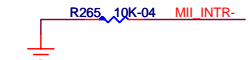
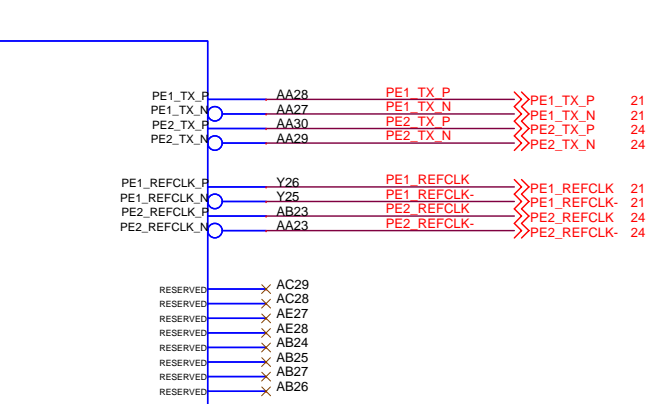
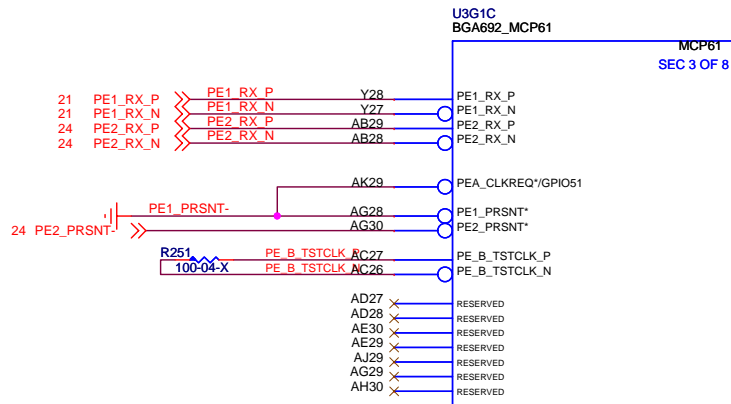
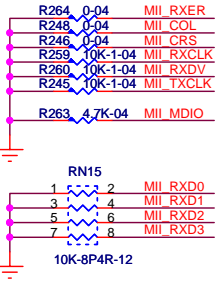
Size: A3 Document Number: _____ Rev: 1.0A

MCP61PM-AM

Date: Tuesday, October 03, 2006 Sheet 9 of 33



Pull low when not use
RGMII/MII mode

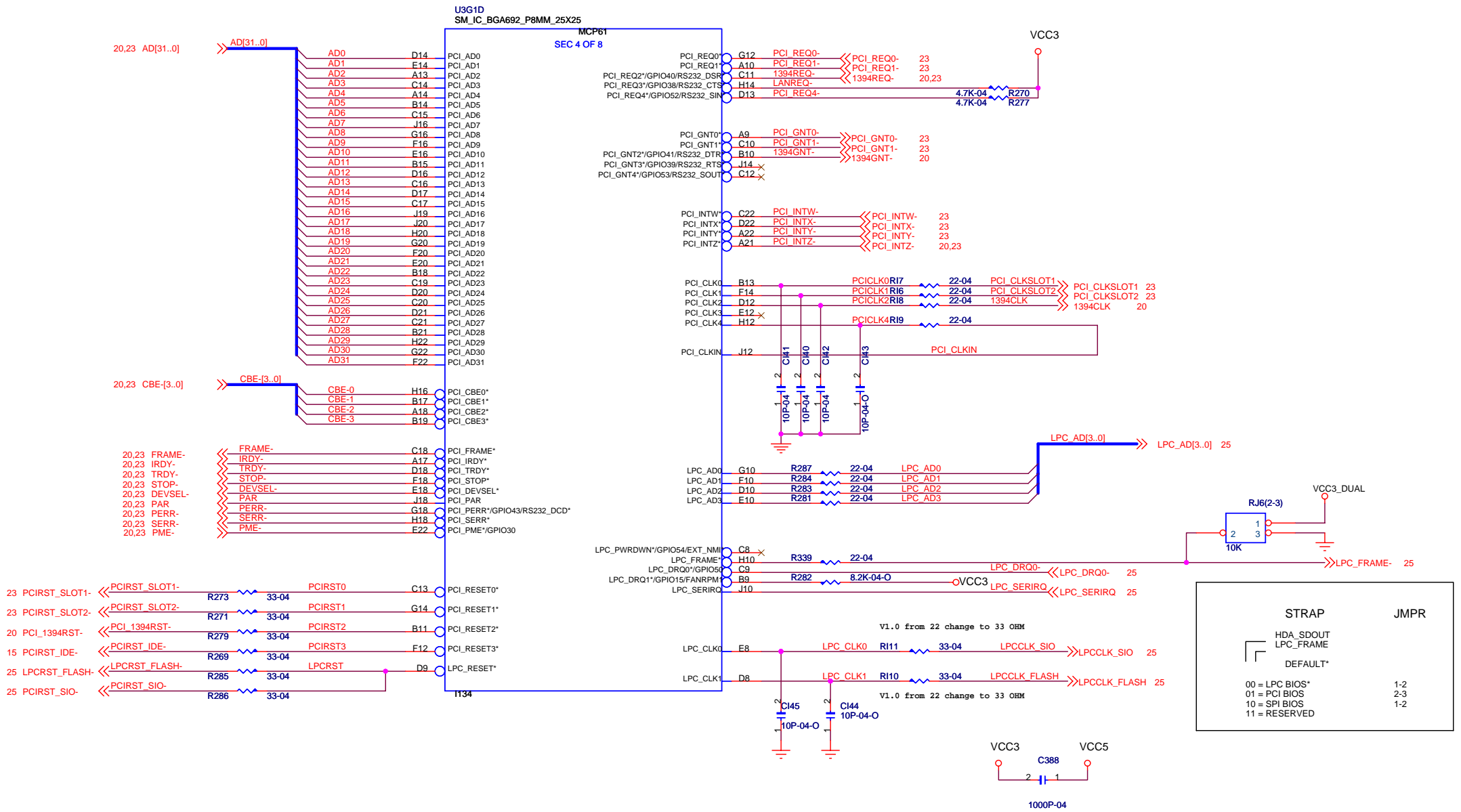


Elitegroup Computer Systems

Title: **MCP61 PCI-E X1/RGMII/DAC**

Size B Document Number: **MCP61PM-AM** Rev **1.0A**

Date: Tuesday, October 03, 2006 Sheet 13 of 33



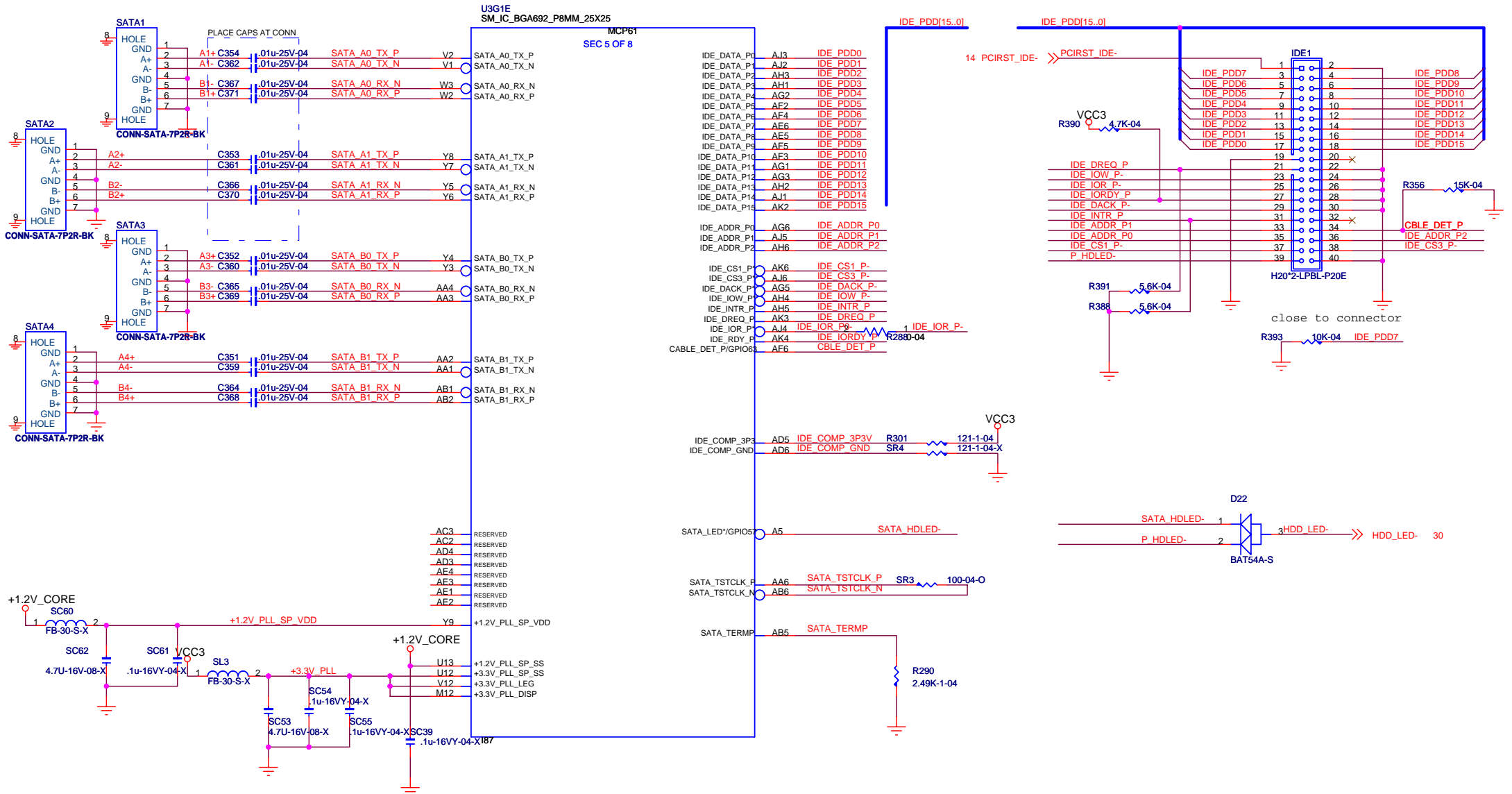
STRAP		JMPR
HDA_SDOUT		
LPC_FRAME		
DEFAULT*		
00 = LPC BIOS*		1-2
01 = PCI BIOS		2-3
10 = SPI BIOS		1-2
11 = RESERVED		

Elitegroup Computer Systems

Title: **MCP61 PCI**

Size: Custom	Document Number: MCP61PM-AM	Rev: 1.0A
--------------	------------------------------------	------------------

Date: Tuesday, October 03, 2006 Sheet 14 of 33



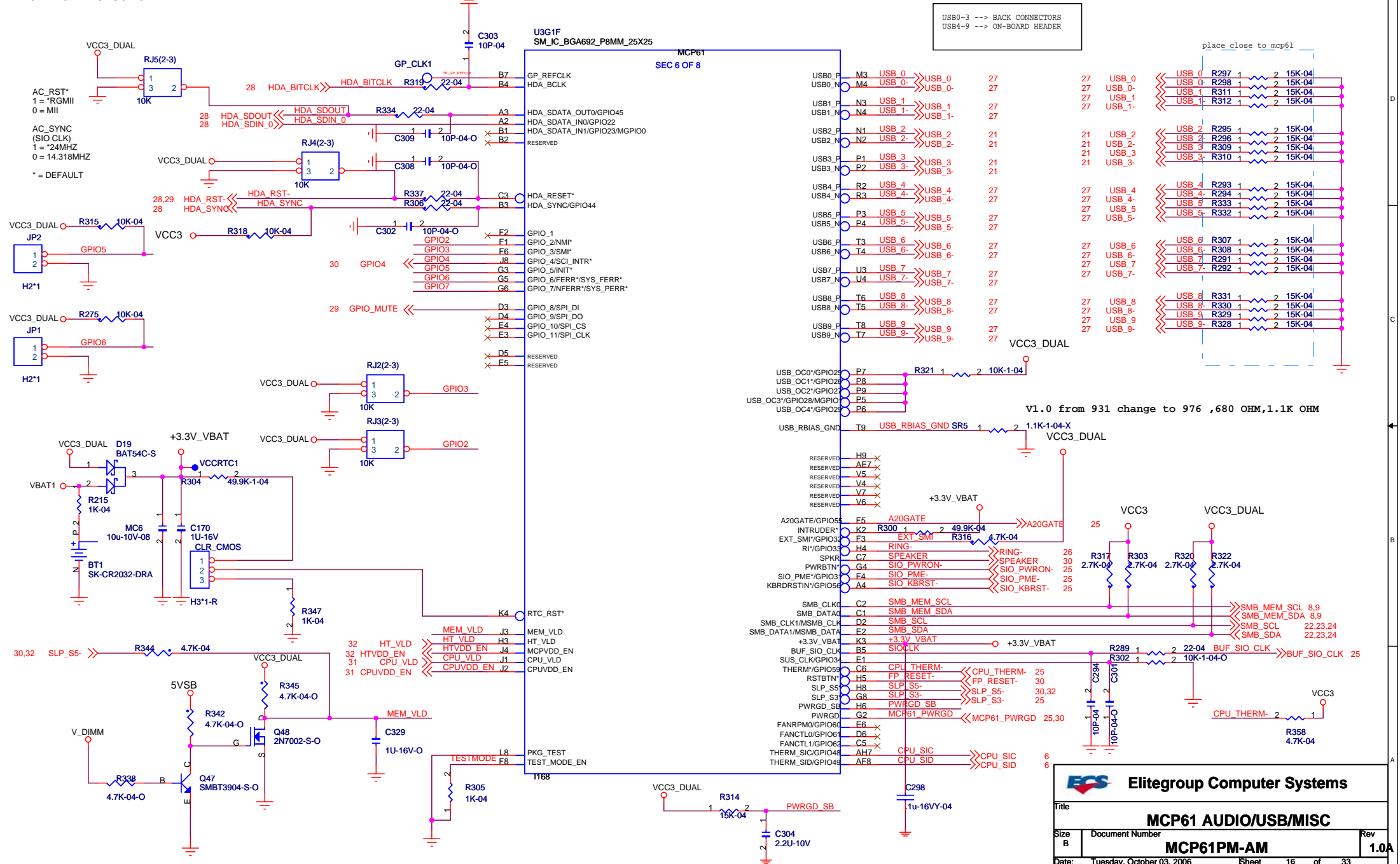
ECS Elitegroup Computer Systems

Title: **MCP61 SATA/IDE**

Size B	Document Number	Rev
	MCP61PM-AM	1.0A

Date: Tuesday, October 03, 2006 Sheet 15 of 33

USB0-3 --> BACK CONNECTORS
USB4-9 --> ON-BOARD HEADER

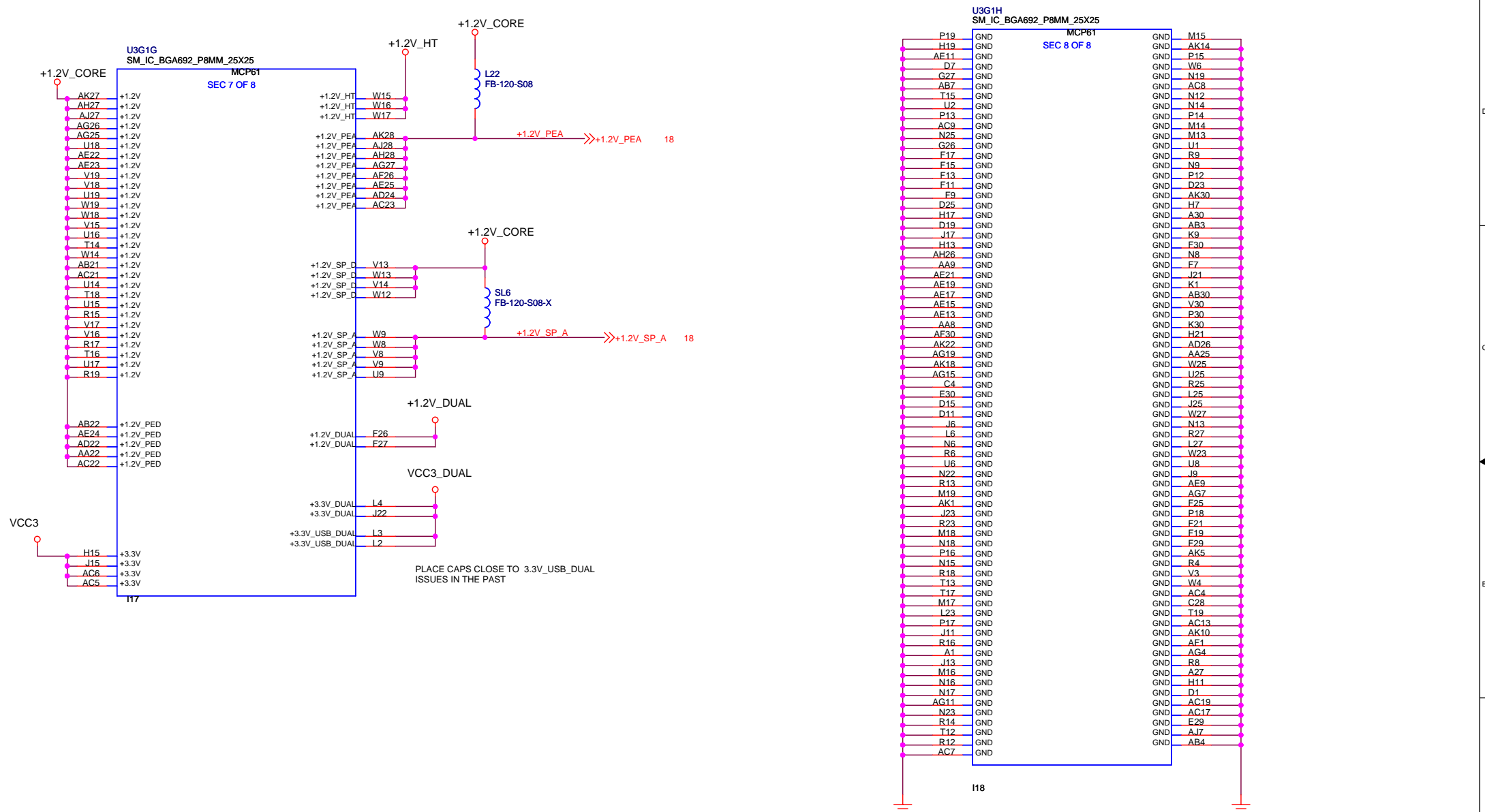



ECS Elitegroup Computer Systems

Title: **MCP61 AUDIO/USB/MISC**

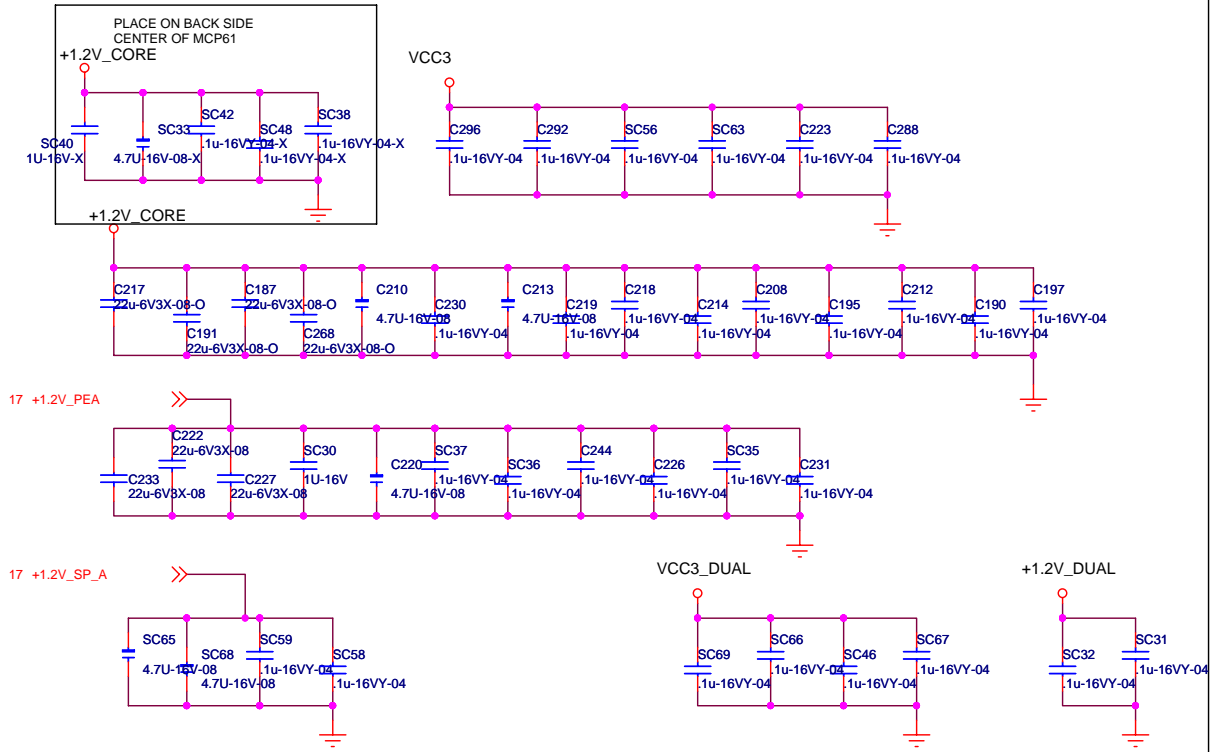
Size B Document Number: **MCP61PM-AM** Rev: **1.0A**

Date: Tuesday, October 03, 2006 Sheet 16 of 33



 Elitegroup Computer Systems		
Title MCP61 PWR/GND		
Size B	Document Number MCP61PM-AM	Rev 1.0A
Date: Tuesday, October 03, 2006 Sheet 17 of 33		

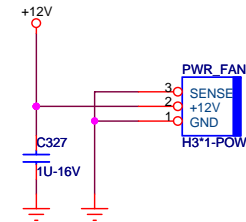
MCP61 DECOUPLING/EMI



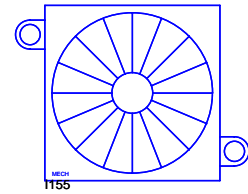
MCP61 INTERNAL PULL-UP/DWN'S


PE0_PRSNTX16*	10K PU TO 3.3V
PE0_PRSNTX8*	10K PU TO 3.3V
PE1_PRSNT*	10K PU TO 3.3V
PE2_PRSNT*	10K PU TO 3.3V
PE1_CLKREQ*	10K PU TO 3.3V
PCL_PME*/GPIO_30	8.2K PU TO 3.3V_DUAL
LPC_AD0	8.2K PU TO 3.3V
LPC_AD1	8.2K PU TO 3.3V
LPC_AD2	8.2K PU TO 3.3V
LPC_AD3	8.2K PU TO 3.3V
LPC_DRQ1/LPC_CS*	8.2K PU TO 3.3V
LPC_DRQ0*	8.2K PU TO 3.3V
LPC_SERIRQ	10K PU TO 3.3V
HDA_SDATA_IN1/GPIO_23/MGPIO_0	10K PD TO GND
HDA_SDATA_IN0/GPIO_22	10K PD TO GND
JTAG_TMS	10K PU TO 3.3V
JTAG_TRST*	10K PD TO GND
JTAG_TDI	10K PU TO 3.3V
A20GATE	10K PU TO 3.3V
PE_WAKE*	10K PU TO 3.3V_DUAL
EXT_SMIF*/GPIO32	10K PU TO 3.3V_DUAL
THERM*/GPIO_59	10K PU TO 3.3V
KBRDRSTIN*/GPIO_58	10K PU TO 3.3V
RI*/GPIO_33	10K PU TO 3.3V_DUAL
SIO_PME*/GPIO_31/MGPIO_2	10K PU TO 3.3V_DUAL
PWRBTN*	10K PU TO 3.3V_DUAL
RSTBTN*	10K PU TO 3.3V_DUAL

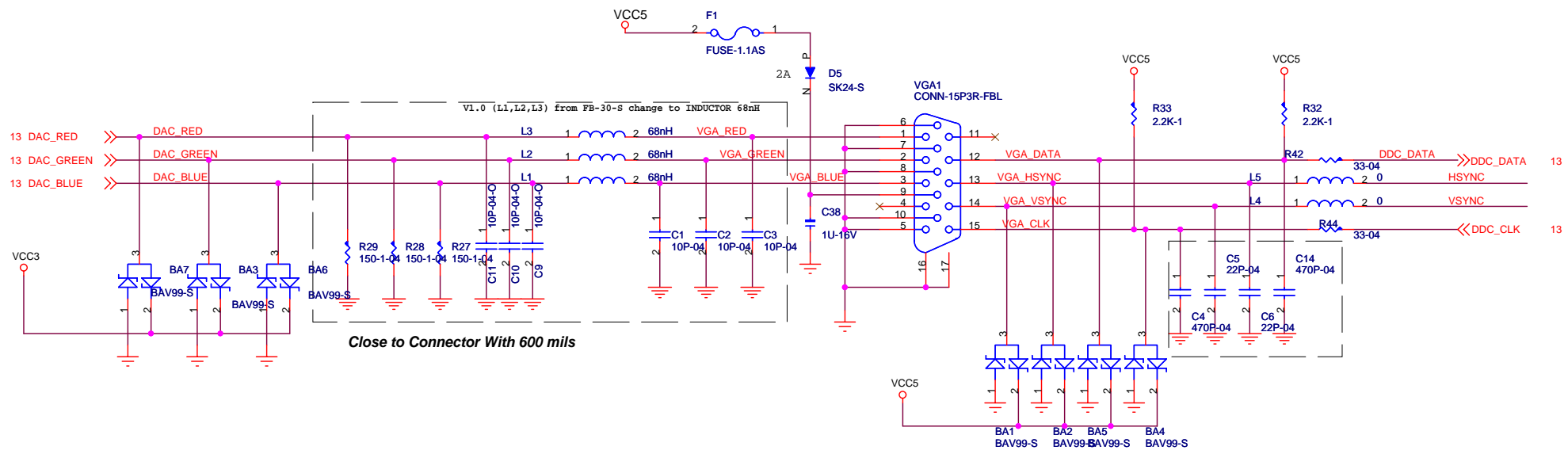
MCP61 FAN HDR



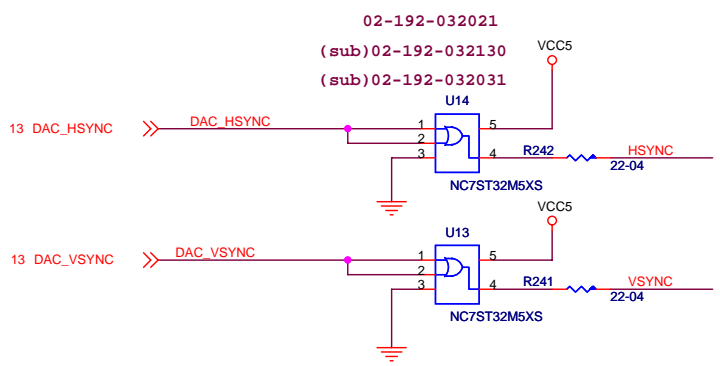
HS3G1
HEATSINK
45MM_PP_SQUARE
FANSINK




 Elitegroup Computer Systems	
Title MCP51 SATA / IDE / CONN	
Size B	Document Number MCP61PM-AM
Date: Tuesday, October 03, 2006	Rev 1.0A
Sheet 18 of 33	



Close to Connector With 600 mils

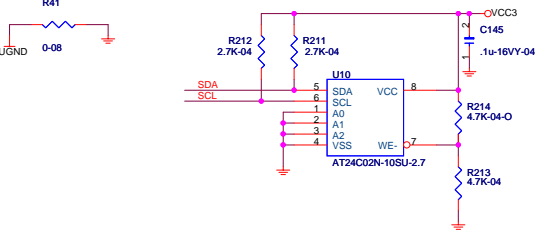
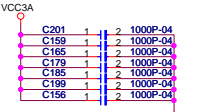
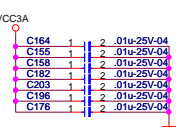
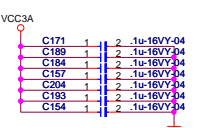
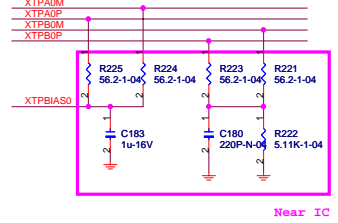
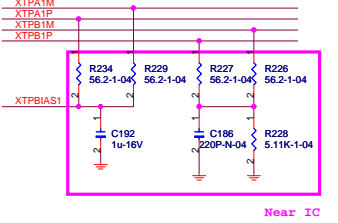
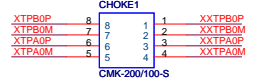
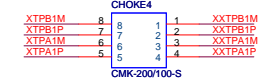
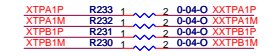
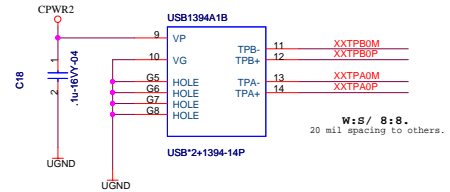
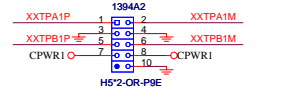
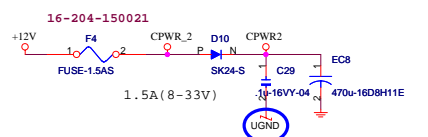
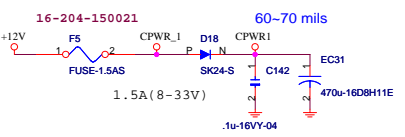
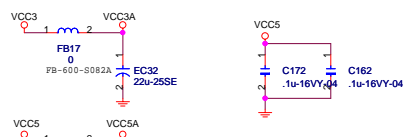
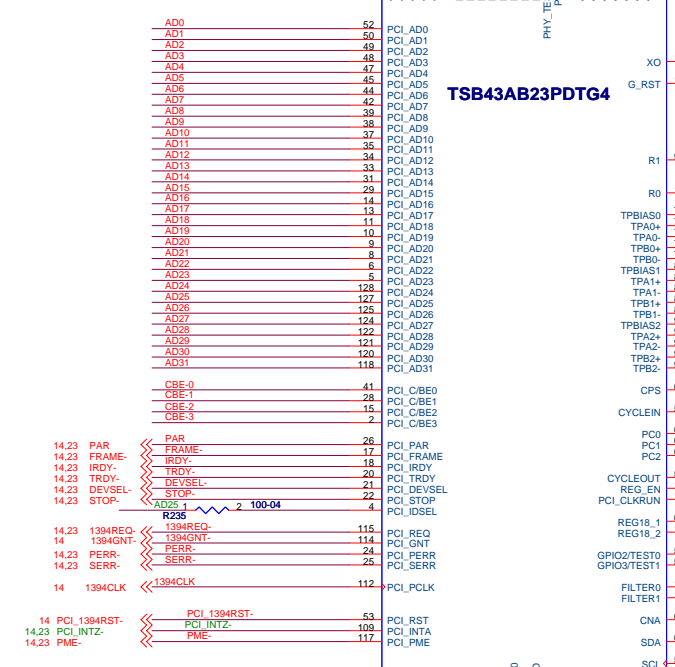


 Elitegroup Computer Systems		
Title VGA		
Size B	Document Number MCP61PM-AM	Rev 1.0A
Date: Tuesday, October 03, 2006 Sheet 19 of 33		

14.23 AD[0..31] <<< AD[0..31]
 14.23 CBE[0..3] <<< CBE[0..3]

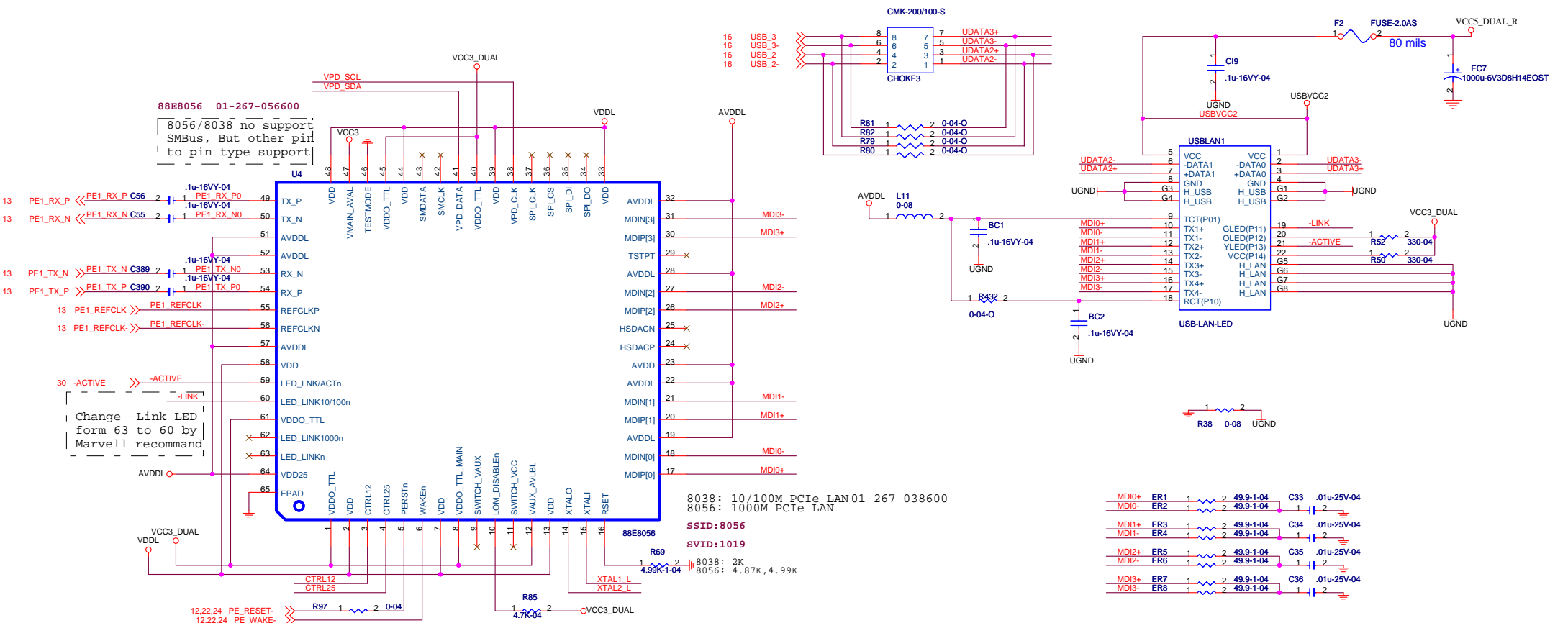
01-210-023360

TSB43AB23PDTG4



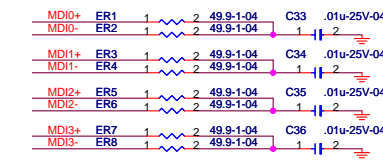
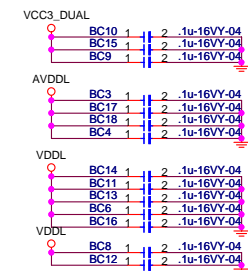
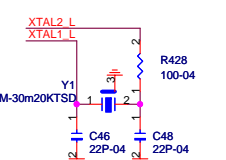
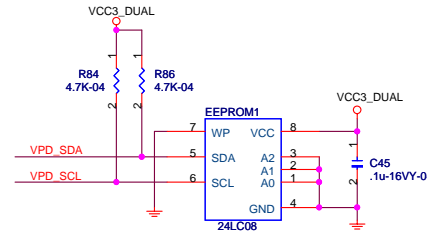
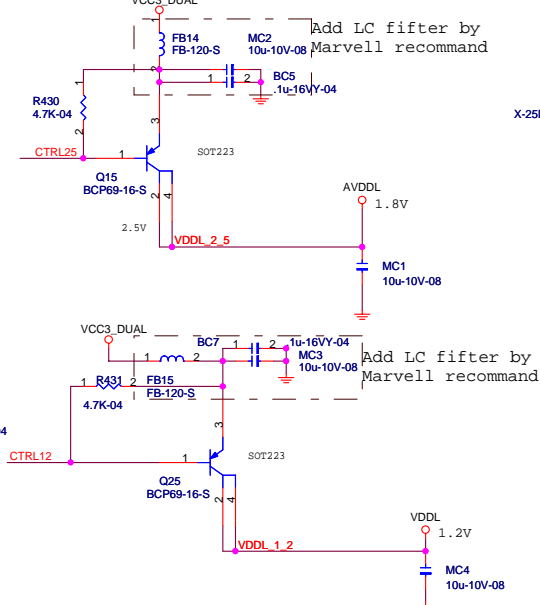
Elitegroup Computer Systems			
Title: 1394(TI 23A)			
Size: Custom	Document Number: MCP61PM-AM	Rev: 1.0A	
Date: Wednesday, October 04, 2006	Sheet: 20	of: 33	

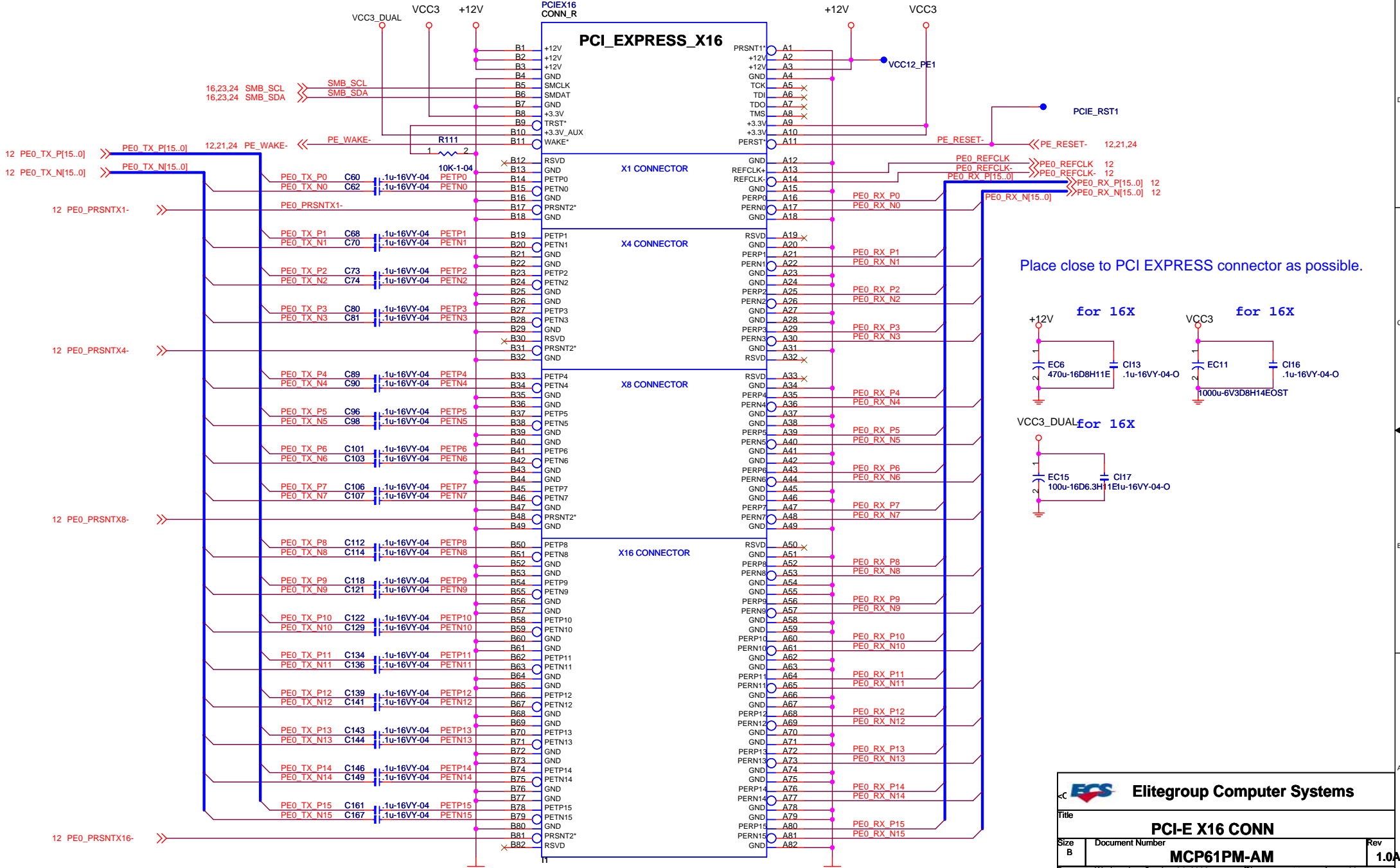
88E8056 01-267-056600
 8056/8038 no support
 SMBus, But other pin
 to pin type support



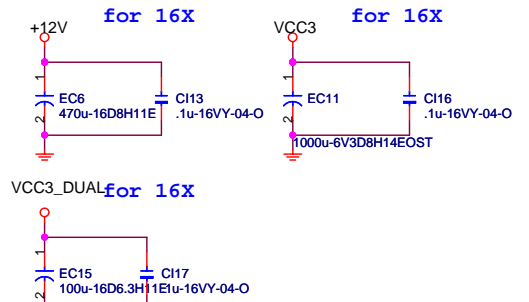
8038: 10/100M PCIe LAN 01-267-038600
 8056: 1000M PCIe LAN
 SSID: 8056
 SVID: 1019

LAN modify list:
 should use PE_RESET-, not PCI_LANRST-
 should use PE_WAKE-, not PME-
 connect PE1_PRSTNT- to GND directly
 PE1_TX_N and PE1_TX_P connect 0.1uF to LAN chip



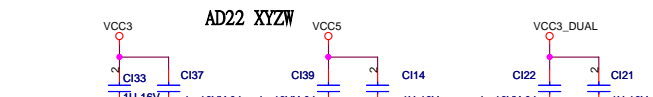
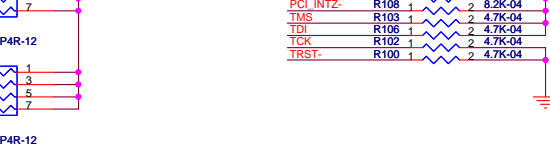
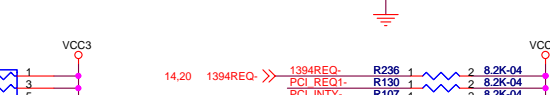
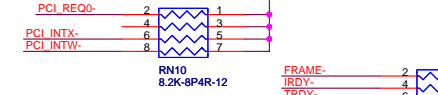
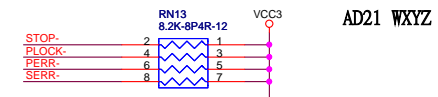
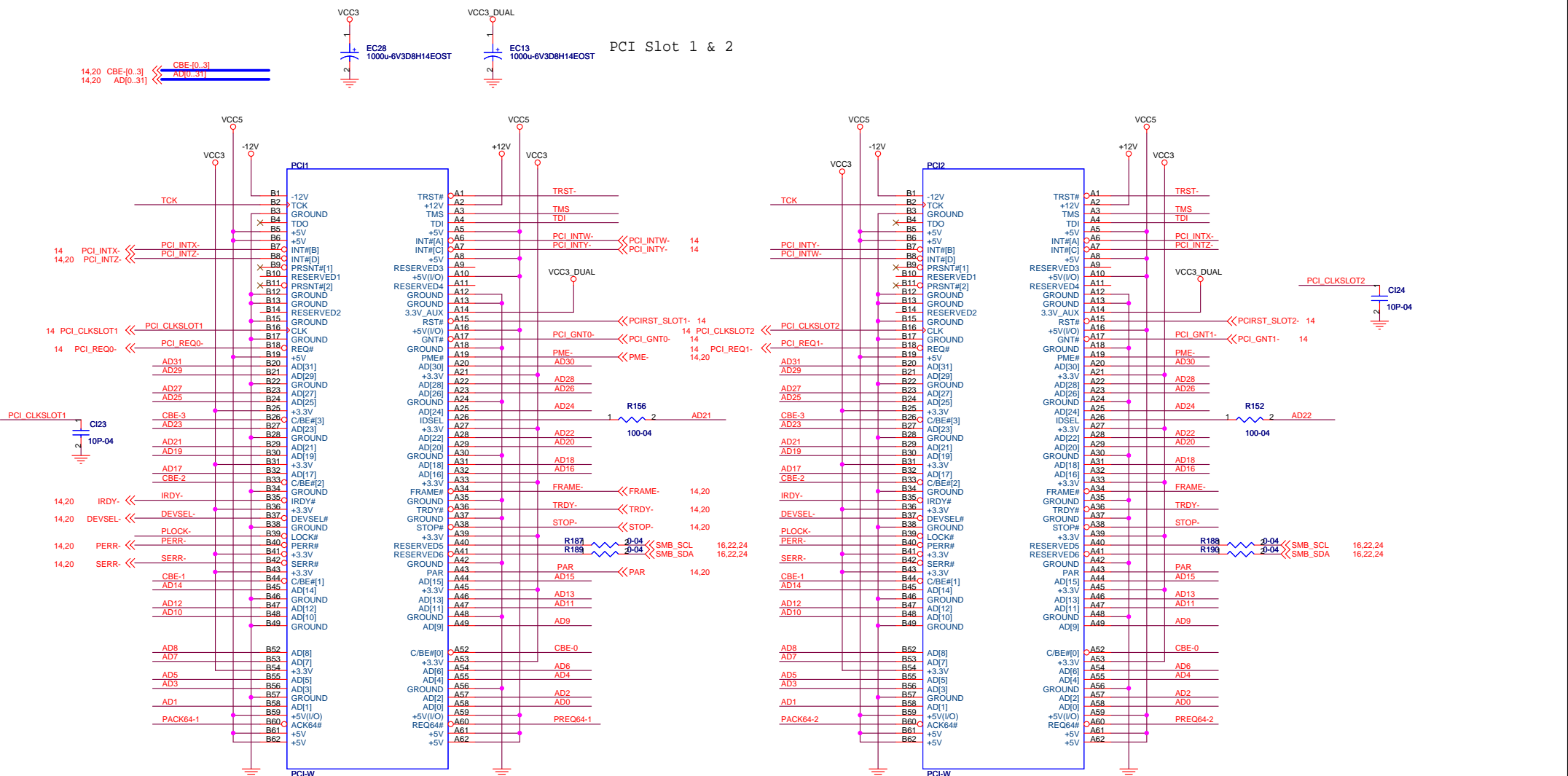


Place close to PCI EXPRESS connector as possible.



Elitegroup Computer Systems		
PCI-E X16 CONN		
Title		Rev
MCP61PM-AM		1.0A
Size B	Document Number	
Date: Wednesday, October 04, 2006	Sheet 22 of 33	

PCI Slot 1 & 2

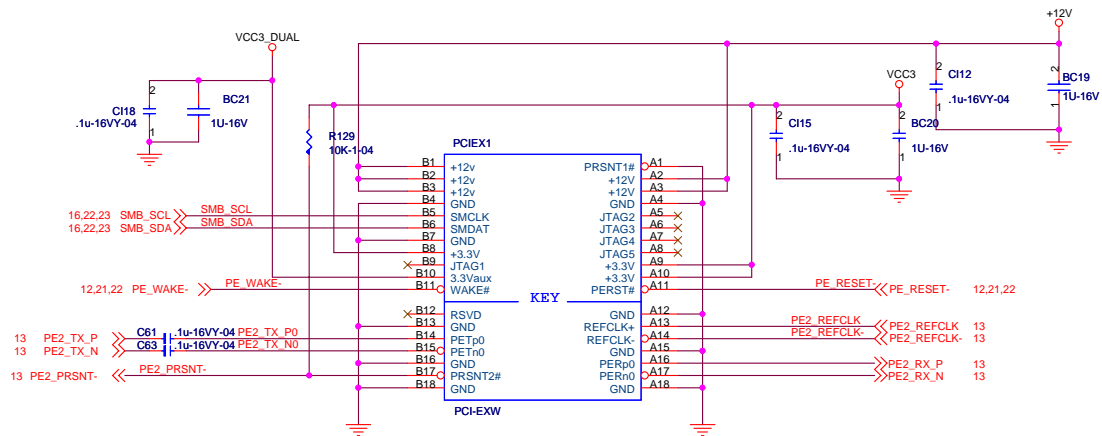


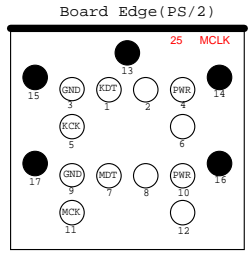
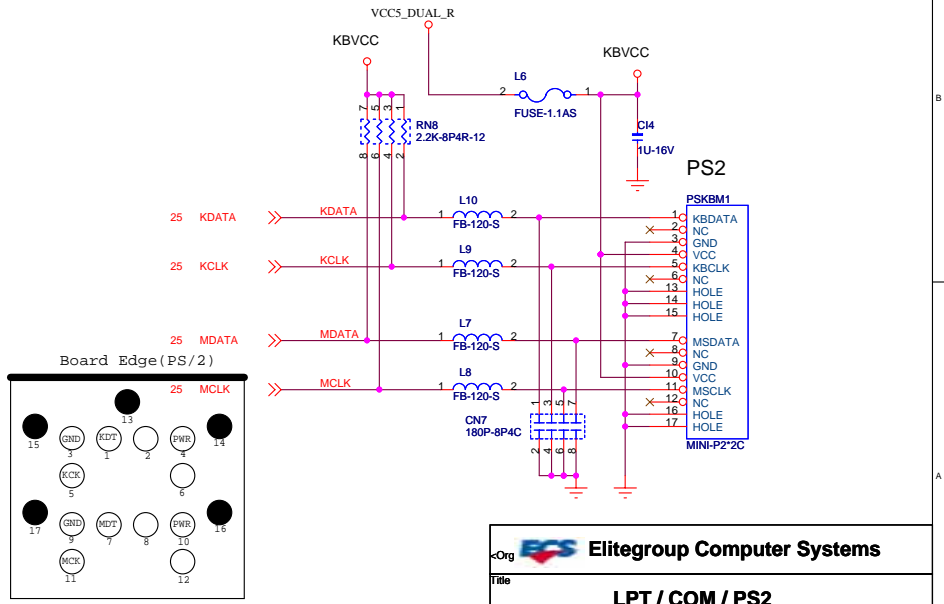
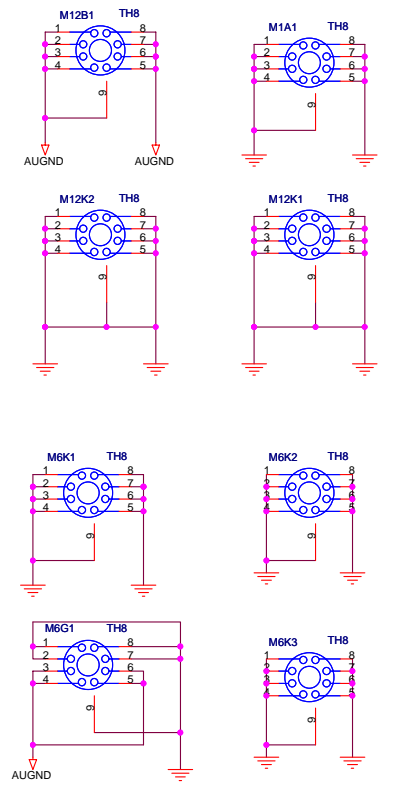
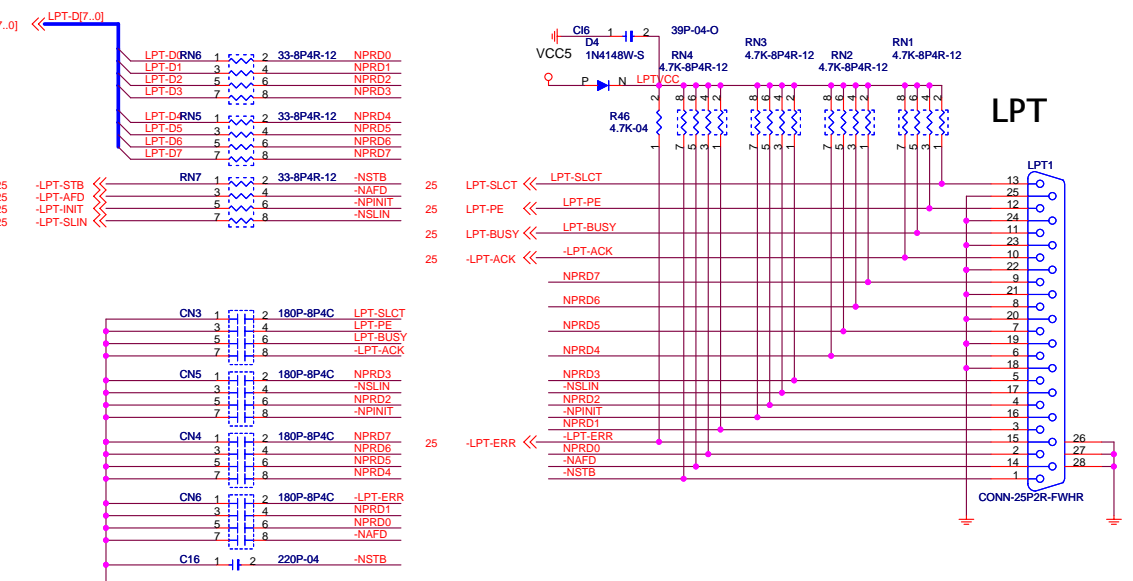
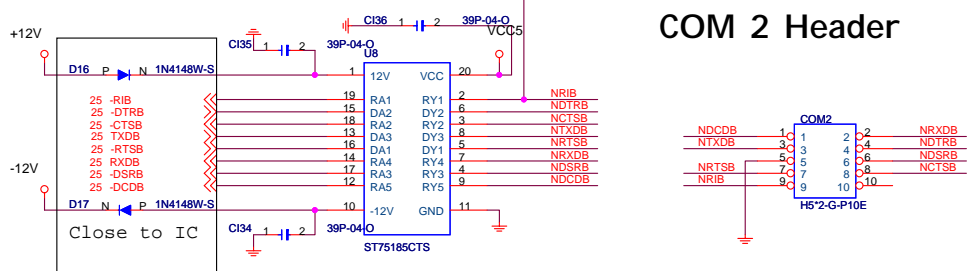
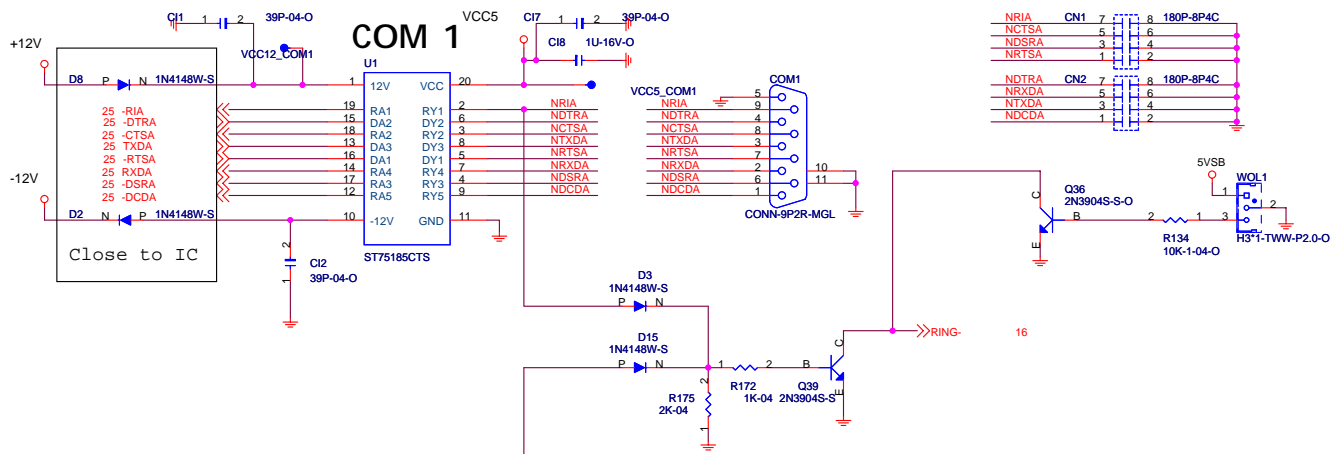
Elitegroup Computer Systems

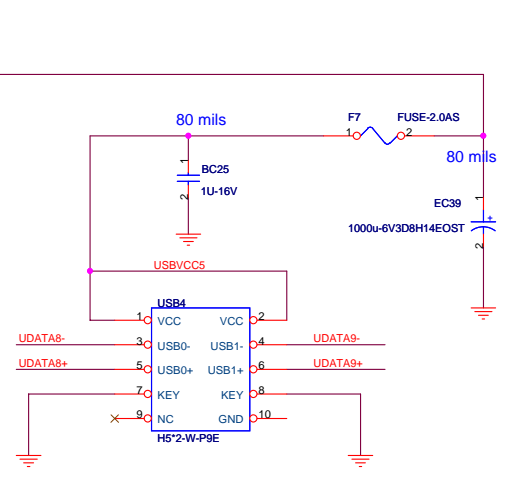
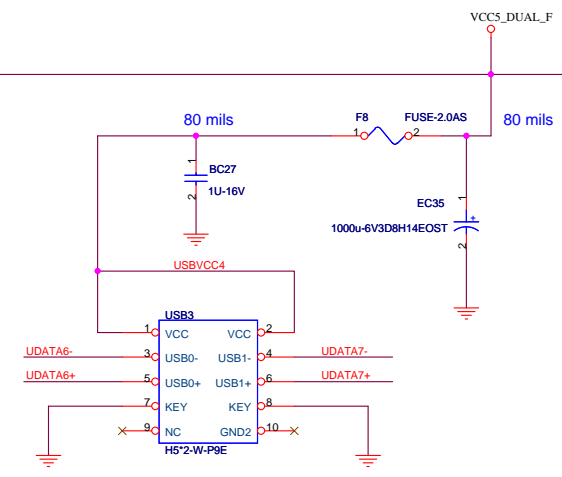
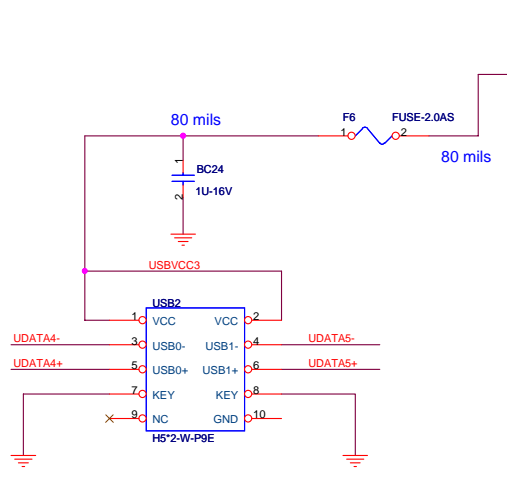
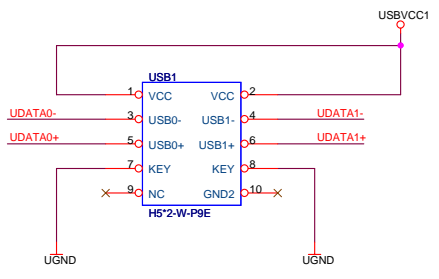
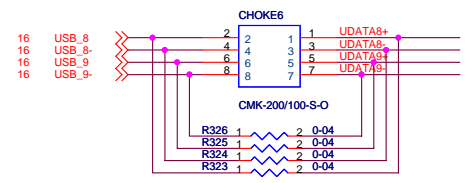
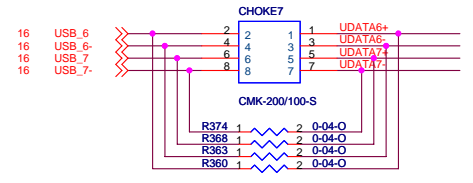
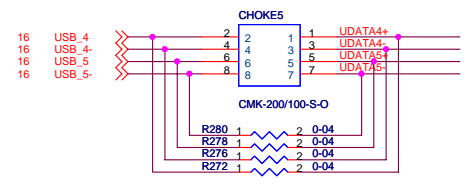
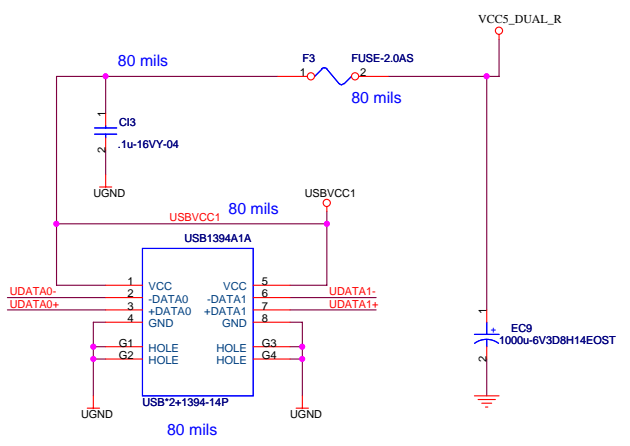
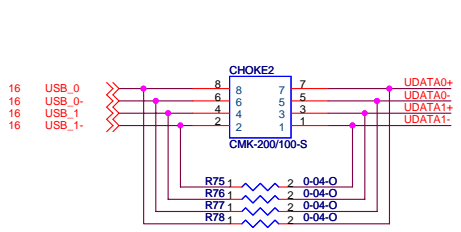
Title: **PCI 1&2**

Size: Document Number **MCP61M-AM** Rev **1.0A**

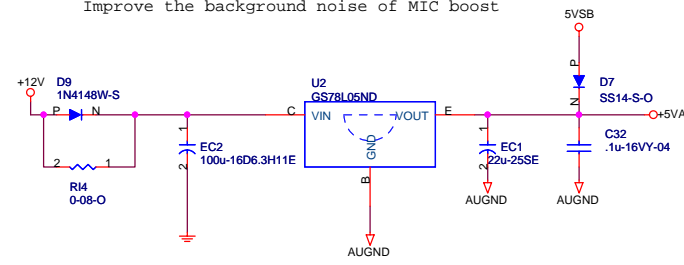
Date: Wednesday, October 04, 2006 Sheet 23 of 33



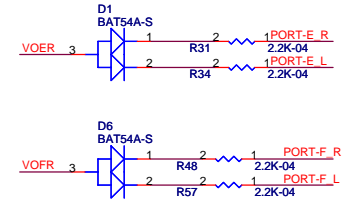




Improve the background noise of MIC boost

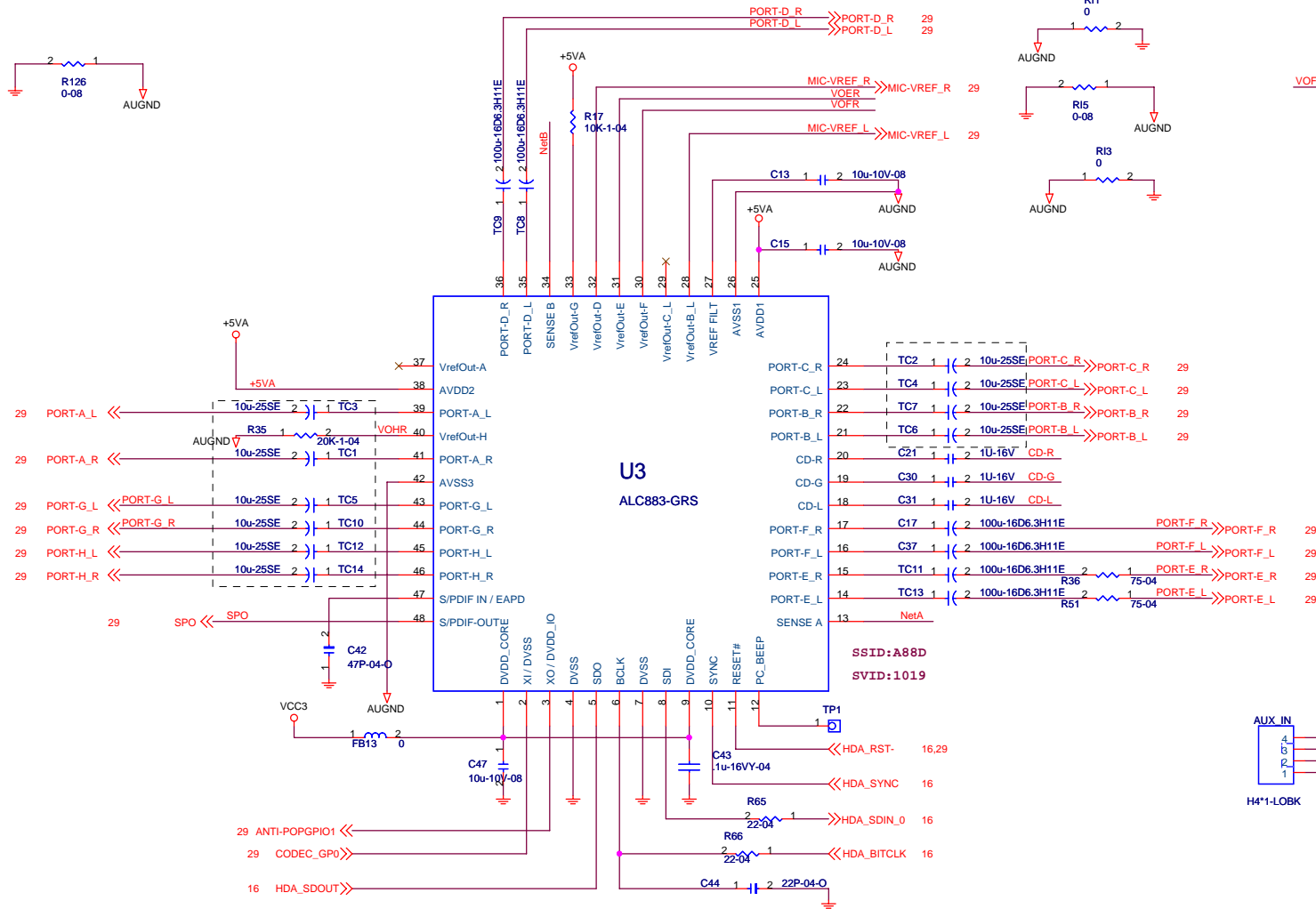
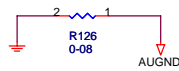
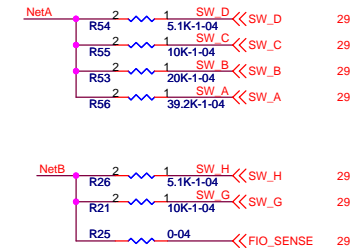


Verfout bias for stereo microphone.



Place near Chip

Resistors Networks



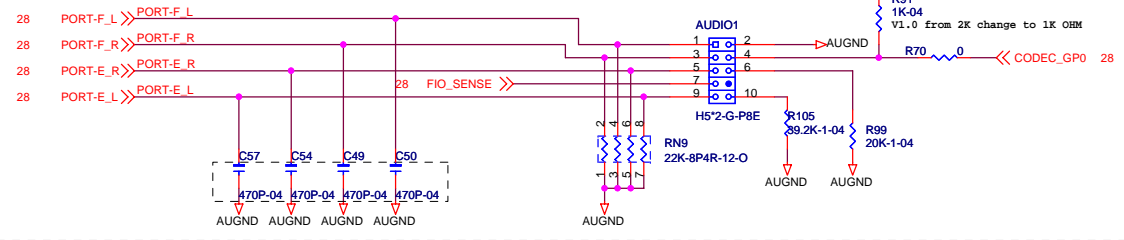
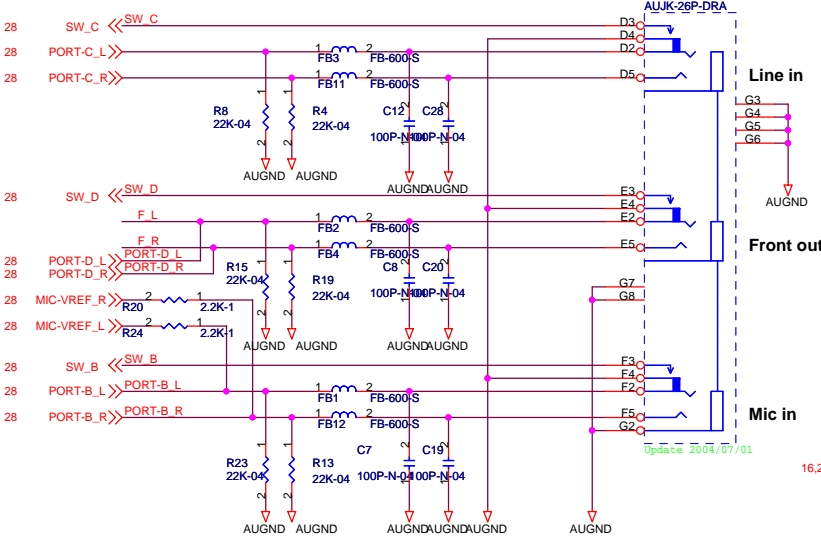
ECS Elitegroup Computer Systems

Title: **ALC883 co-lay ALC883**

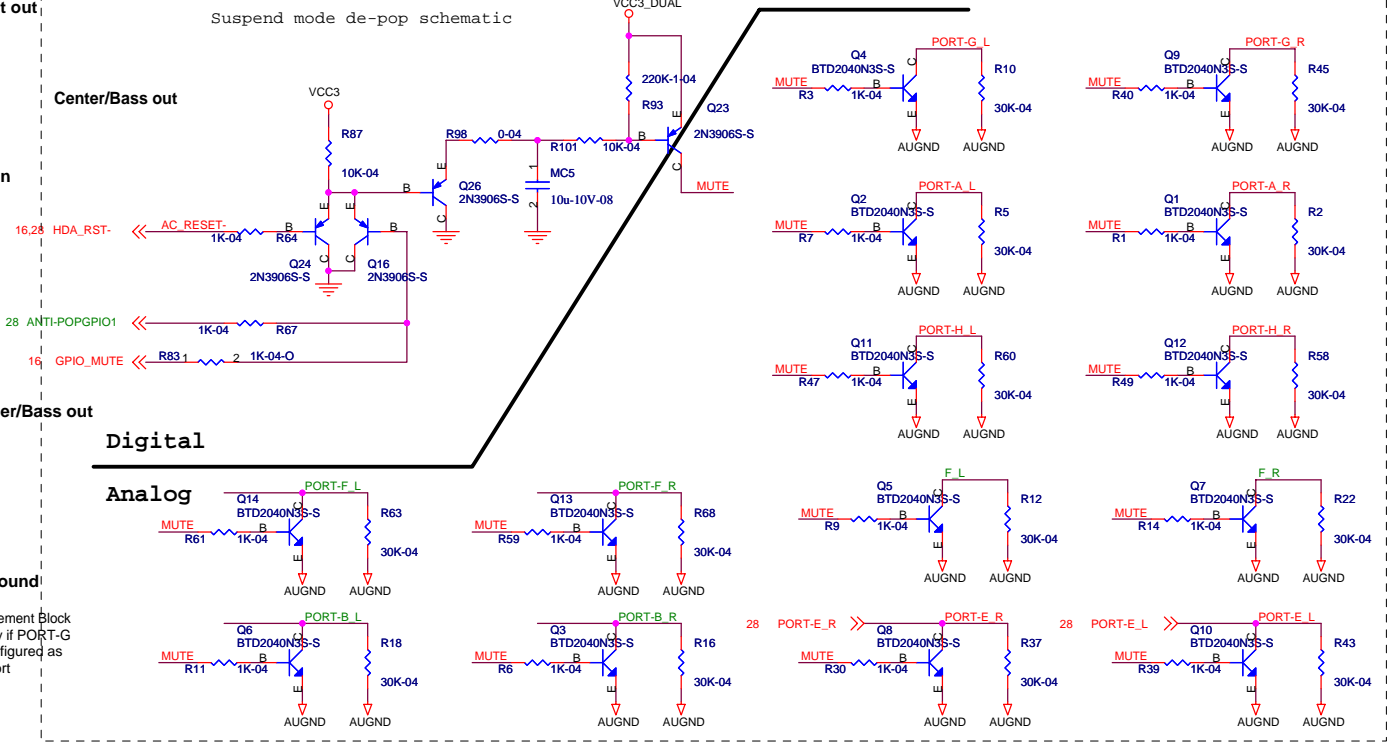
Size: Custom Document Number: **MCP61PM-AM** Rev: **1.0A**

Date: Wednesday, October 04, 2006 Sheet 28 of 33

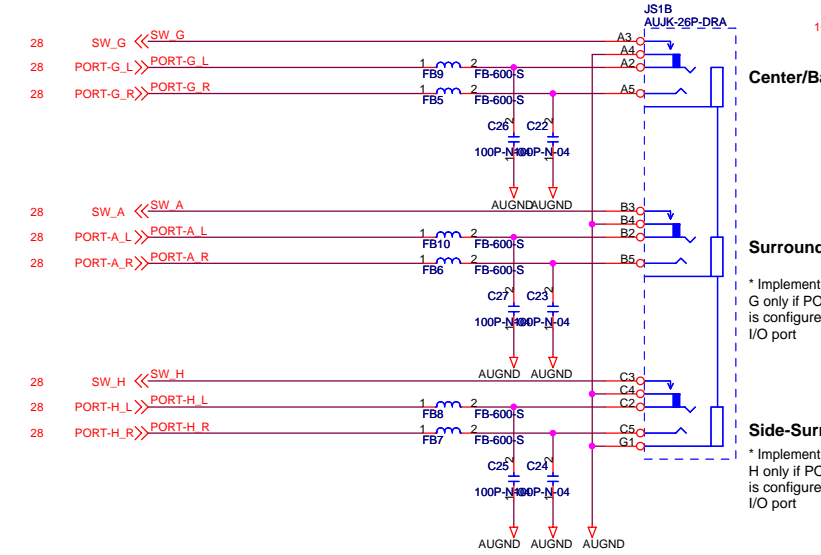
Rear Panel Onboard Analog I/O



Suspend mode de-pop schematic



Rear Panel (Optional Rear Audio Panel)

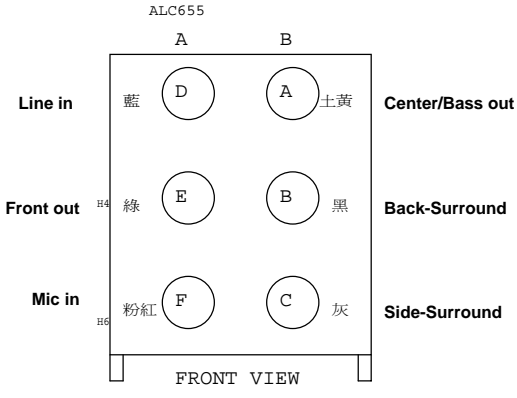
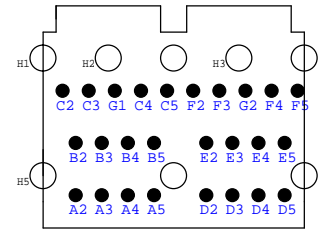


* Implement Block G only if PORT-G is configured as I/O port

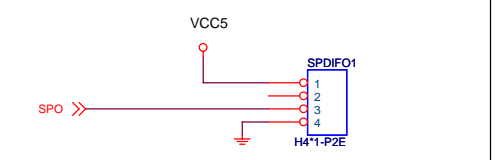
* Implement Block H only if PORT-H is configured as I/O port

The schematic should consist with PINs define of I/O connector.

TOP VIEW



SPDIF Out

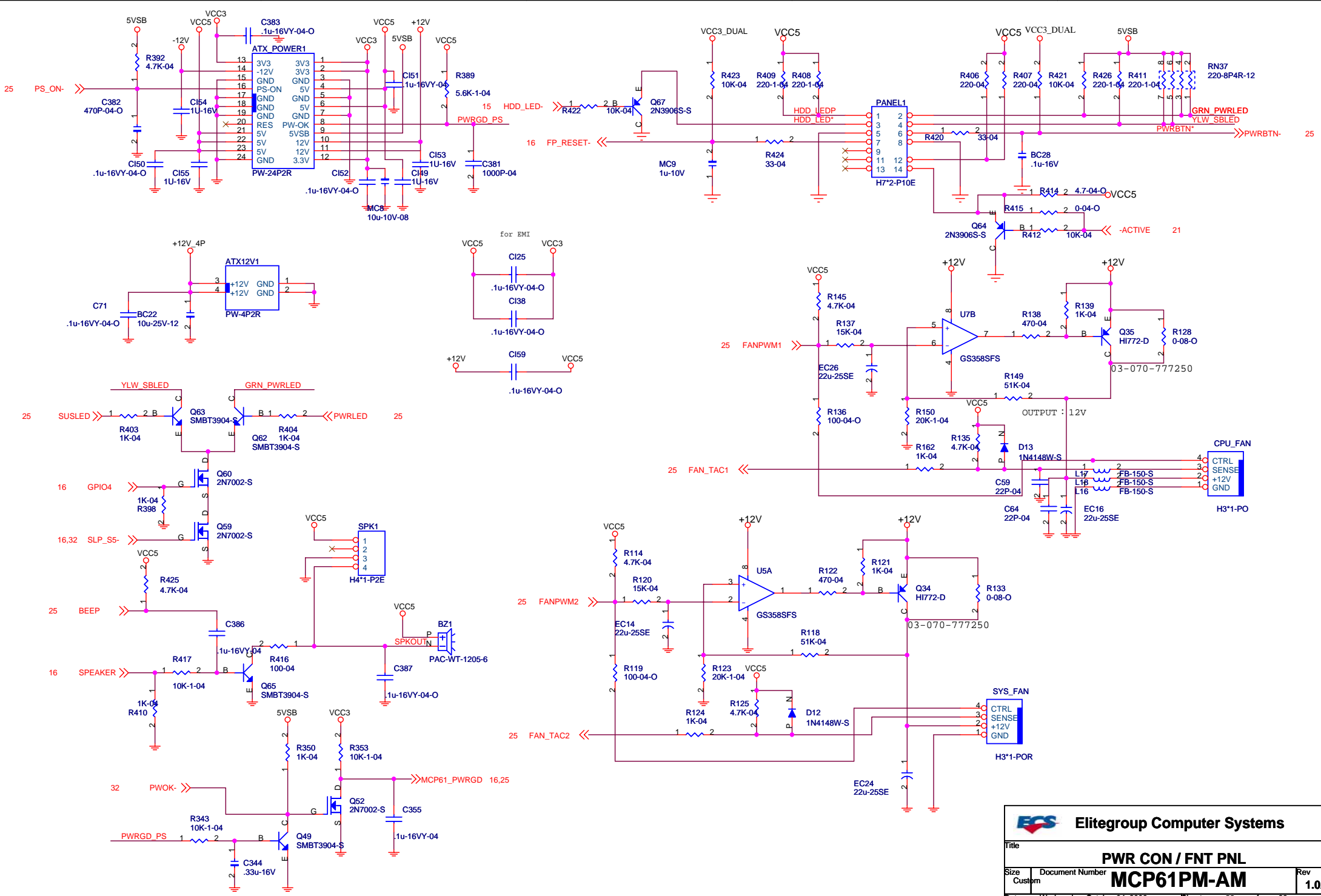


FCS Elitegroup Computer Systems

Title: **ALC888/883(PANEL)**

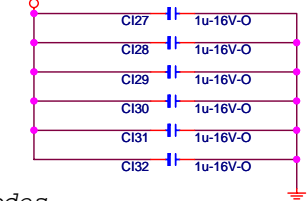
Size: Custom Document Number: **MCP61PM-AM** Rev: **1.0A**

Date: Thursday, October 05, 2006 Sheet: 29 of 33



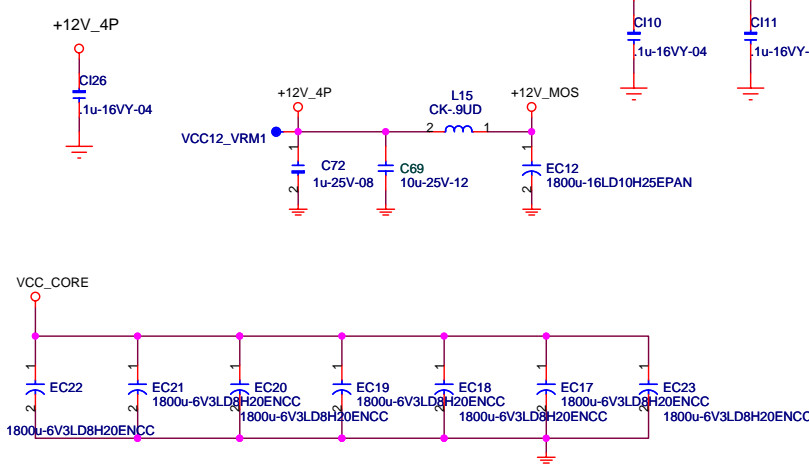
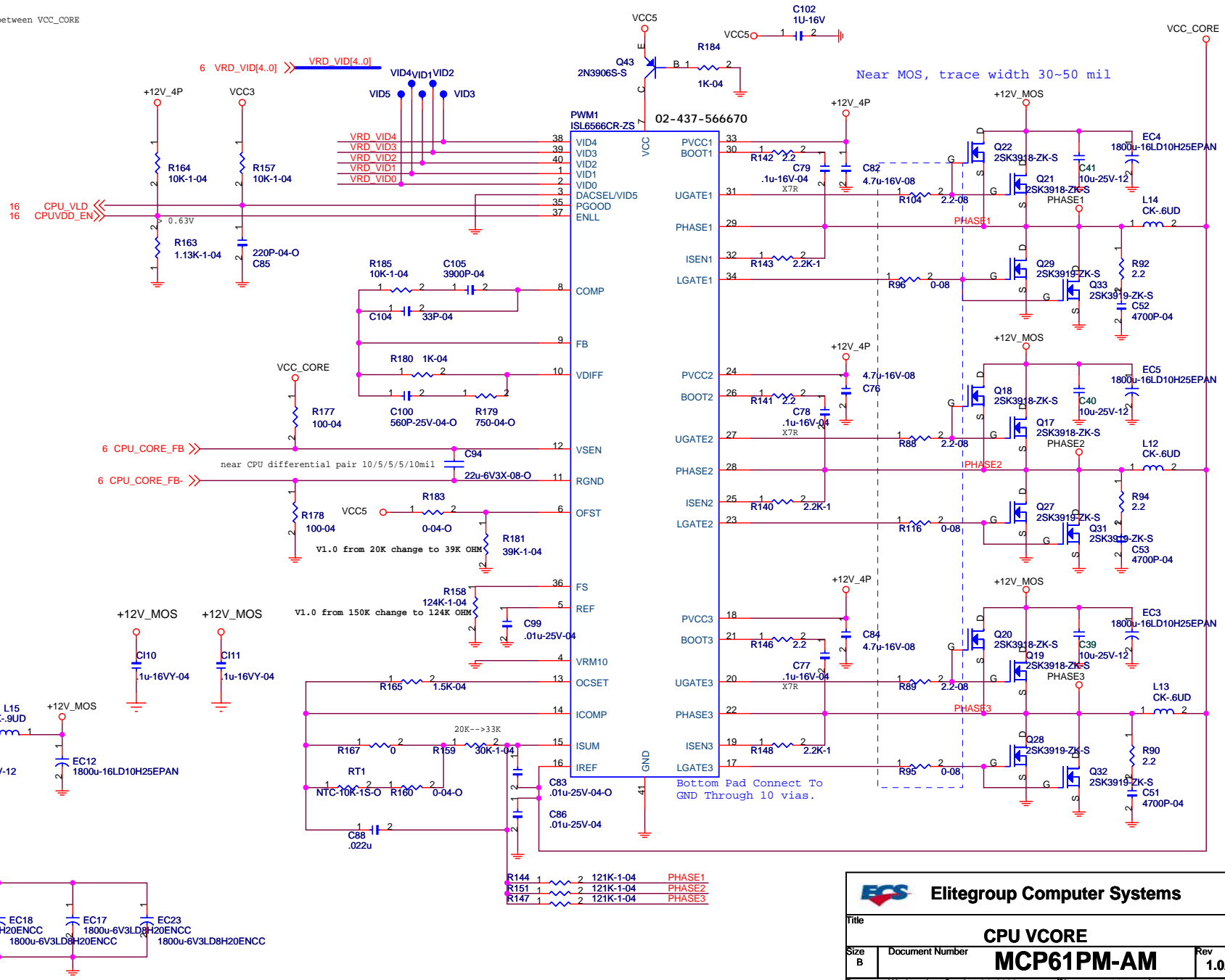
ECS Elitegroup Computer Systems			
Title PWR CON / FNT PNL			
Size Custom		MCP61PM-AM	
Date: Wednesday, October 04, 2006		Rev 1.0A	
Sheet 30		of 33	

VCC_CORE For EMI suggest, average distribute between VCC_CORE



VID Codes

VID[4:0]	VCC_CORE	VID[4:0]	VCC_CORE
00000	1.550	10000	1.150
00001	1.525	10001	1.125
00010	1.500	10010	1.100
00011	1.475	10011	1.075
00100	1.450	10100	1.050
00101	1.425	10101	1.025
00110	1.400	10110	1.000
00111	1.375	10111	0.975
01000	1.350	11000	0.950
01001	1.325	11001	0.925
01010	1.300	11010	0.900
01011	1.275	11011	0.875
01100	1.250	11100	0.850
01101	1.225	11101	0.825
01110	1.200	11110	0.800
01111	1.175	11111	No CPU



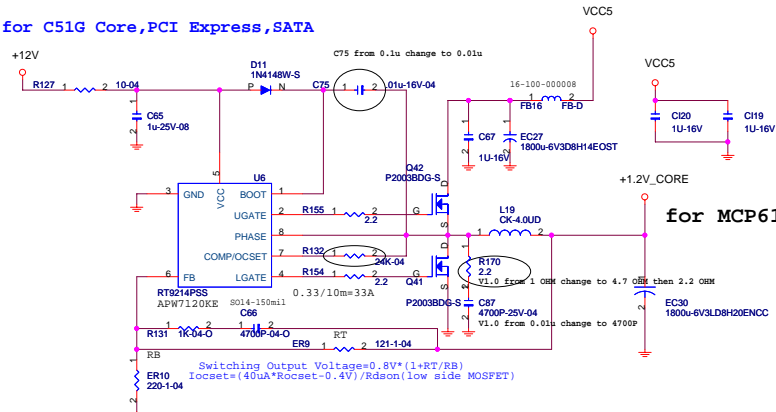
ECS Elitegroup Computer Systems

Title: **CPU VCORE**

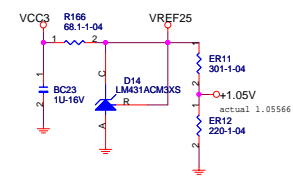
Size B Document Number: **MCP61PM-AM** Rev **1.0A**

Date: Wednesday, October 04, 2006 Sheet 31 of 33

Power for C51G Core,PCI Express,SATA

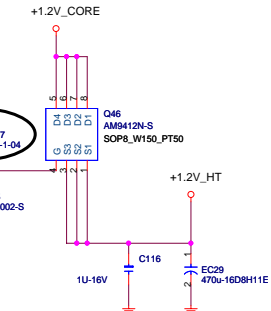


for MCP61@10A

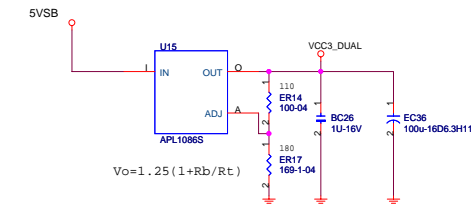


+1.2V_HT (VLDT)

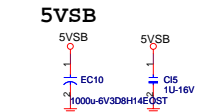
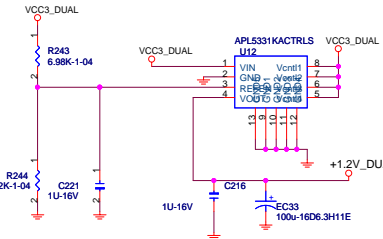
for 1A@MCP61 / 1.5A@CPU



+3.3V_DUAL



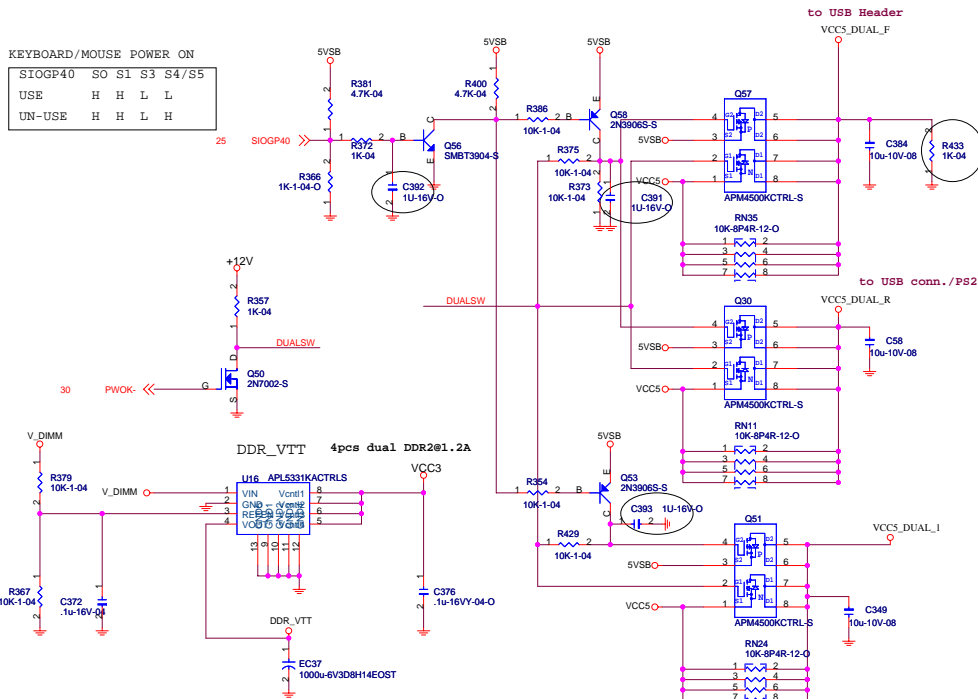
MCP61 AUX(1.2V) @250mA



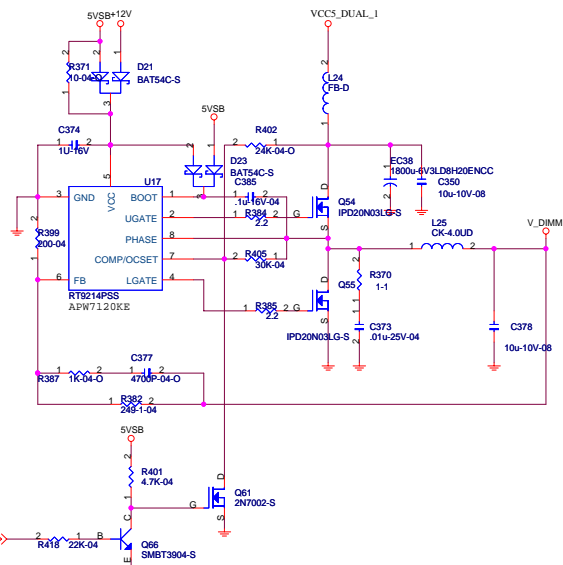
+5V_DUAL FOR USB,PS2

KEYBOARD/MOUSE POWER ON

SI0GP40	SO	S1	S3	S4/S5
USE	H	H	L	L
UN-USE	H	H	L	H



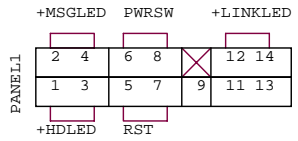
R19202	R19214
R345	X
D30	X
R344	X
R375	X




1pcs DDR2@2.5A

PCI_SLOT1 : REQ0, GNT0, CLK0, AD21, INT WXYX
 PCI_SLOT2 : REQ1, GNT1, CLK1, AD22, INT XYZW
 PCI_1394 : REQ2, GNT2, CLK2, AD25, INT Z
 PCI_LAN : REQ3, GNT3, CLK3, AD24, INT Y

CLR_CMOS	CLEAR_CMOS
1-2	NORMAL
2-3	CLEAR



		Elitegroup Computer Systems	
Title		ATTENTION	
Size	Document Number	MCP61PM-AM	Rev
Custom			1.0A
Date:	Tuesday, October 03, 2006	Sheet	33 of 33