



Intel® Desktop Board D410PTL Quick Reference

English - 中文 - 한국어 - 日本語 - Polski - Italiano - Français - Deutsch - Русский - Português (Brasil) - Español

This guide contains basic instructions for installing the desktop board. For more detailed information, refer to the Product Guide on the Intel® Express Installer Drivers DVD-ROM.

本指南包括安装桌面主板的基本指导说明。有关详情，请参阅 Intel® Express Installer (Intel 快速安装程序) 驱动程序光盘上的《产品指南》。

본 안내서는 데스크톱 보드를 설치하기 위한 기본 지침을 제공합니다. 자세한 내용은 Intel® Express Installer 드라이버 DVD-ROM 에 있는 제품 안내서를 참조하십시오.

このガイドには、デスクトップ ボードの基本的なインストール手順が記載されています。詳しい情報については、インテル® Express Installer ドライバーの DVD-ROM に入っている製品ガイドを参照してください。

Niniejsza instrukcja zawiera podstawowe informacje dotyczące instalacji płyty głównej. Bardziej szczegółowe informacje można znaleźć w Instrukcji obsługi produktu na dysku DVD-ROM ze sterownikiem Intel® Express Installer.

Questo manuale contiene le istruzioni di base per l'installazione della scheda. Per informazioni più dettagliate, consultare il Manuale del prodotto sul DVD-ROM dei driver Intel® Express Installer.

Ce guide fournit des instructions de base portant sur l'installation de la carte pour PC de bureau. Pour de plus amples informations, reportez-vous au Guide du produit figurant sur le DVD-ROM des pilotes d'Intel® Express Installer.

Dieses Handbuch enthält grundlegende Anleitungen zur Installation des Desktop-Motherboard. Weitere Informationen finden Sie im Produkthandbuch auf der Intel® Express Installer Treiber-DVD-ROM.

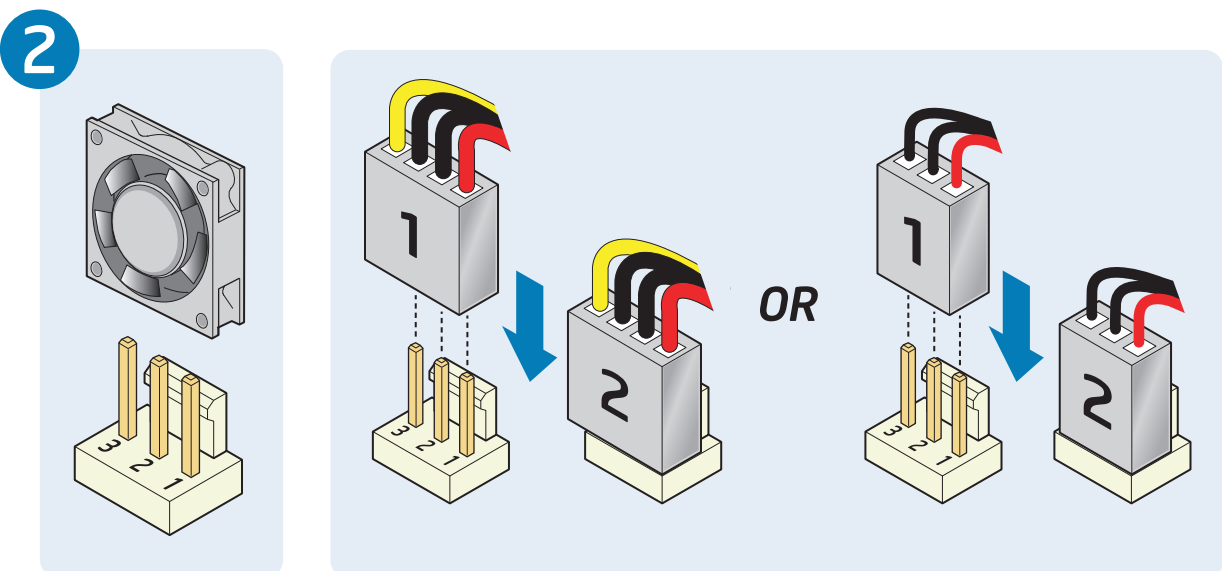
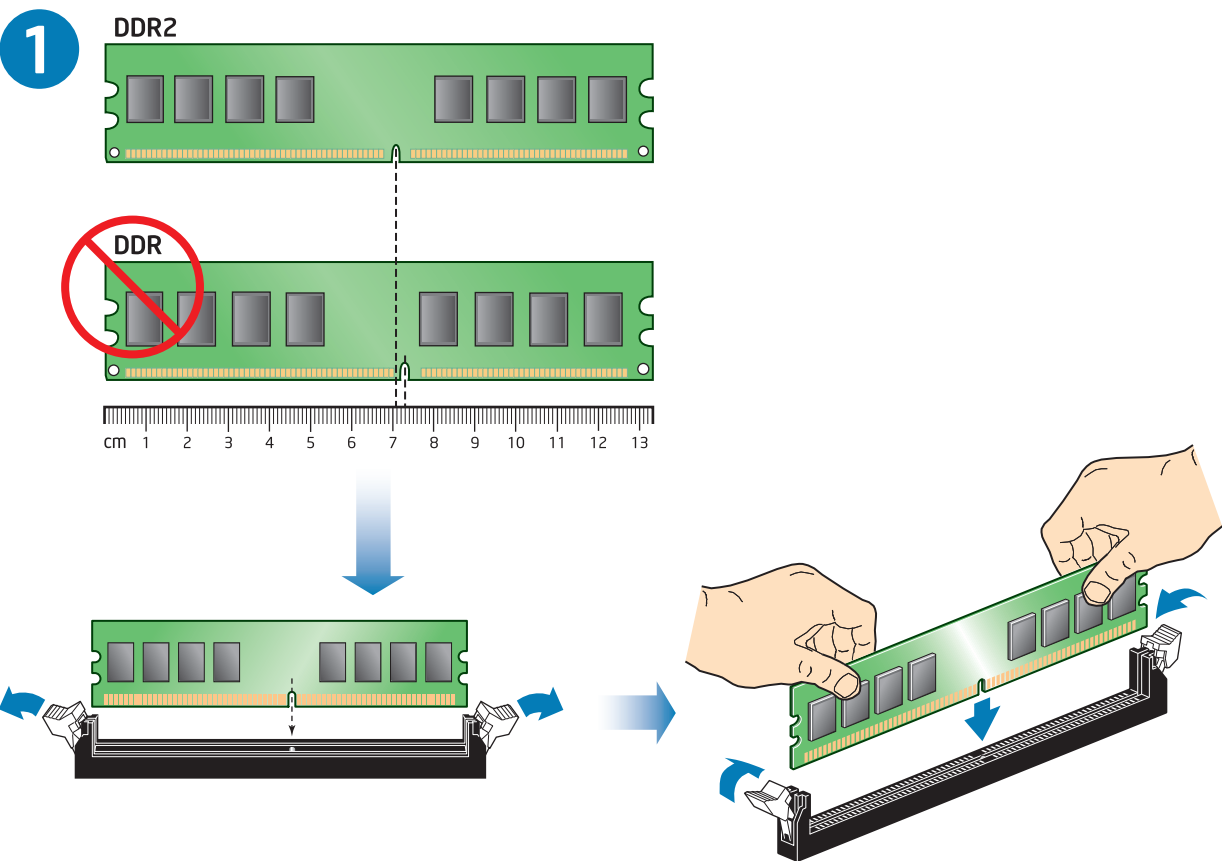
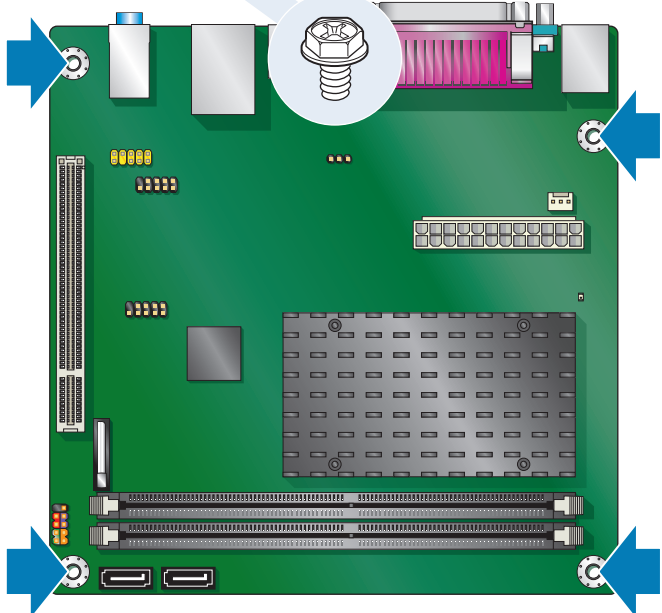
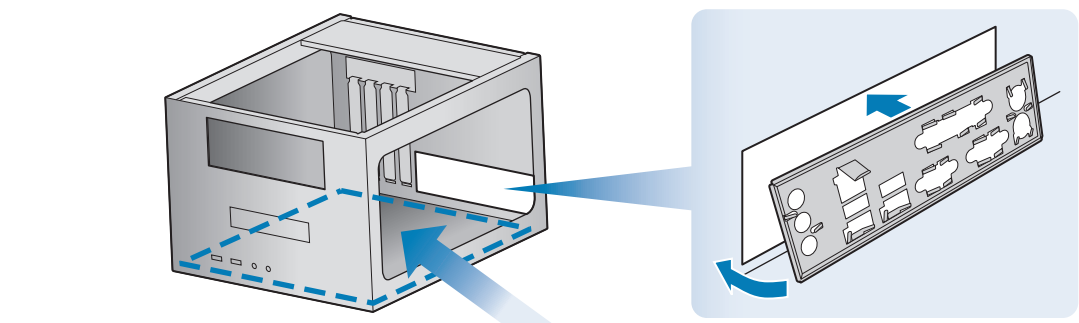
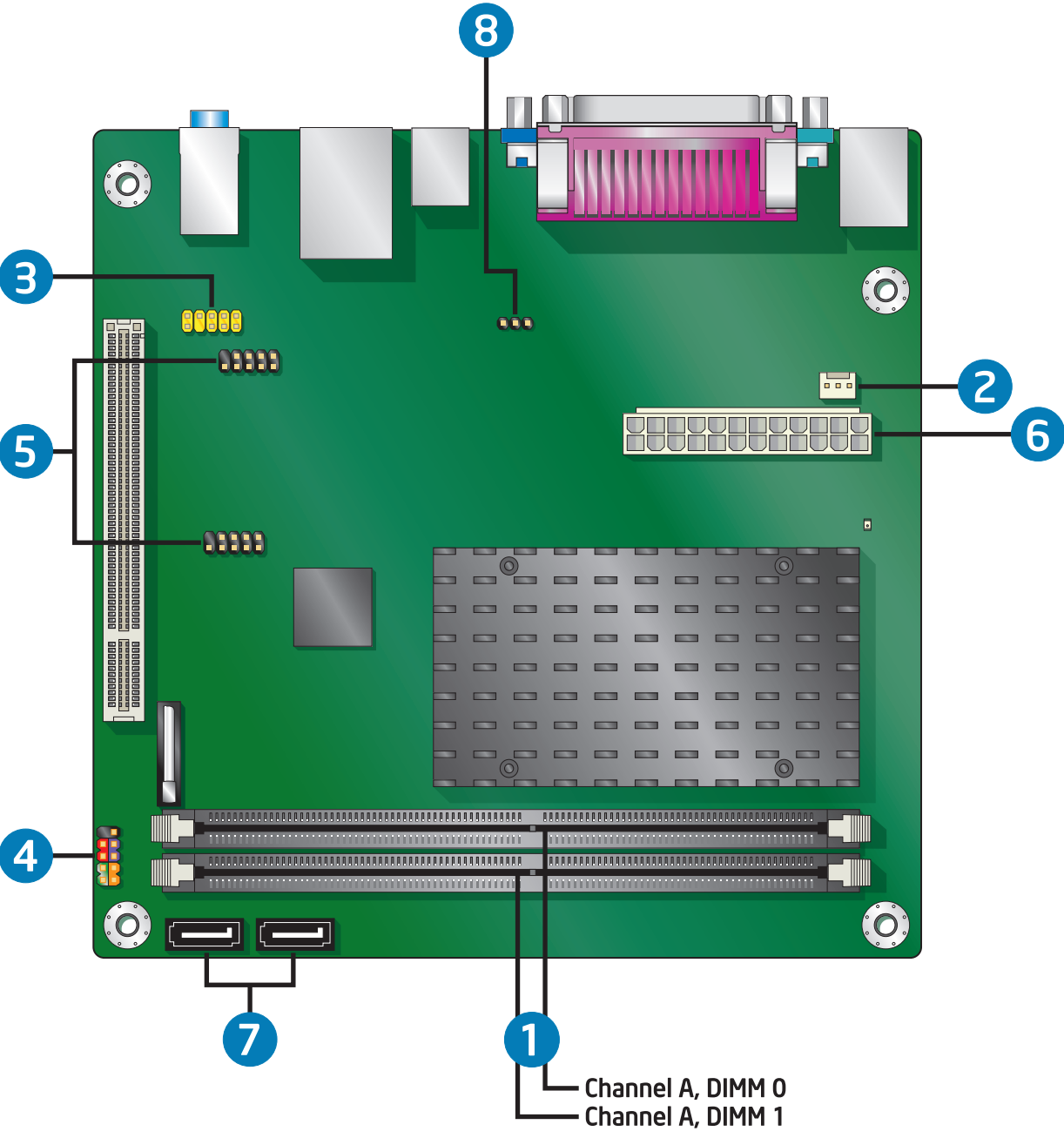
В этом руководстве содержатся основные инструкции по установке системной платы для настольного компьютера. Для получения подробной информации см. "Руководство по продукту" на DVD Intel® Express Installer с драйверами.

Este guia contém instruções básicas para a instalação da placa de desktop. Para obter informações mais detalhadas, consulte o Guia do produto no DVD-ROM de drivers do Intel® Express Installer.

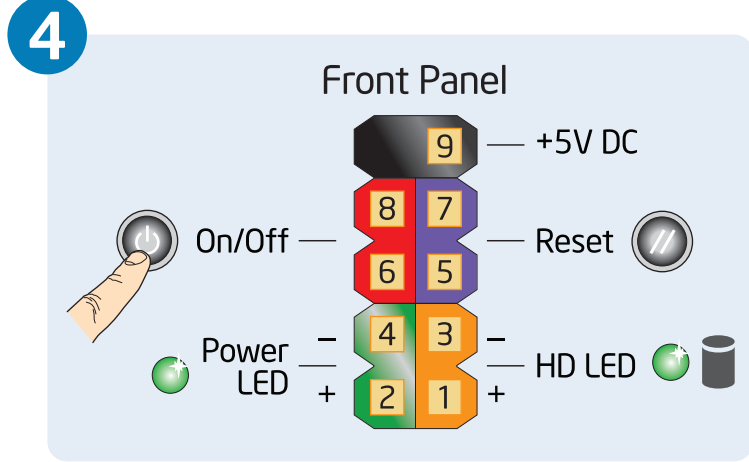
Esta guía contiene instrucciones básicas para la instalación de la placa de escritorio. Para obtener información más detallada, consulte la Guía de producto en el DVD-ROM de controladores Intel® Express Installer.

사용자안내문(3급기): 이 기기는 가정용으로 전자파 적합등록을 한 기기로서 주거지역에서는 물론 모든 지역에서 사용할 수 있습니다.

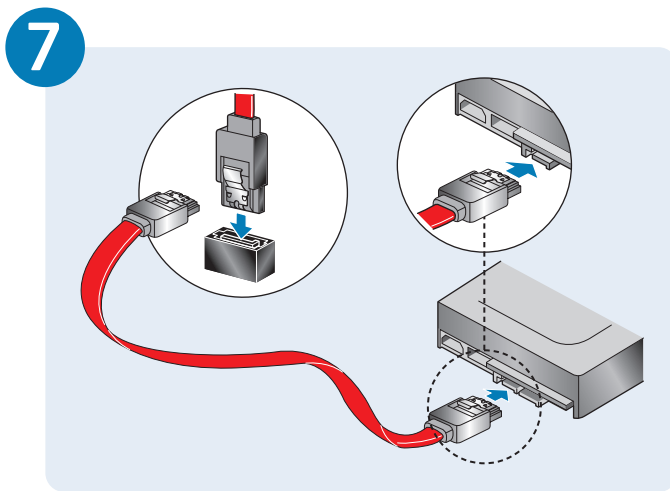
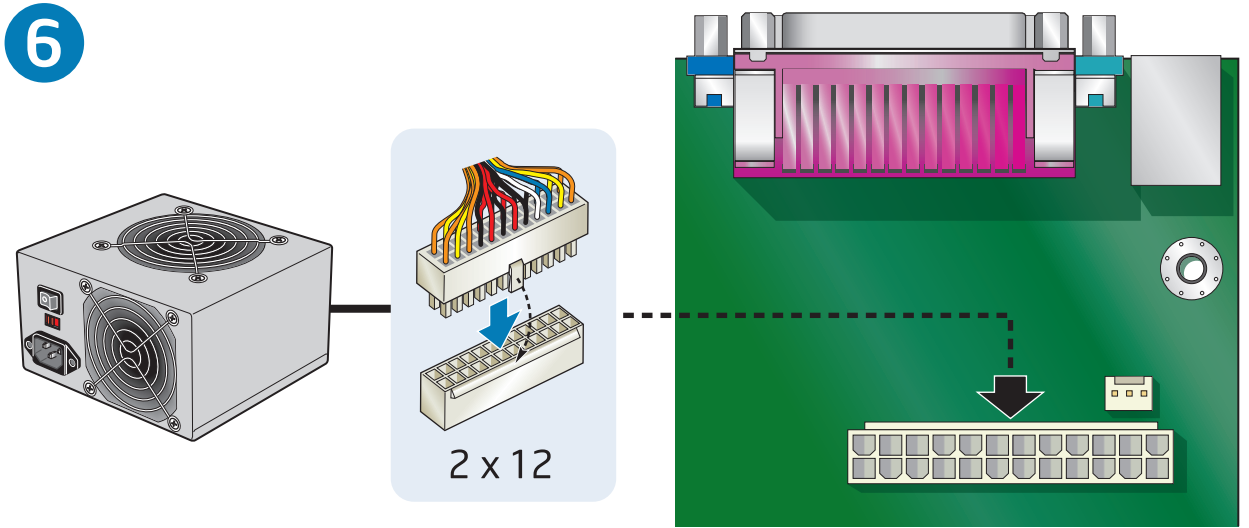
E86135-001



HD Audio			AC '97 Audio		
Port1L	1 2	Ground	MIC	1 2	AUD_GND
Port1R	3 4	Presence#	MIC_BIAS	3 4	AUD_GND
Port2R	5 6	Sense1_Ret	FP_OUT_R	5 6	FP_RETURN_R
Sense_Send	7	Key (no pin)	AUD_5V	7	Key (no pin)
Port2L	9 10	Sense2_Ret	FP_OUT_L	9 10	FP_RETURN_L

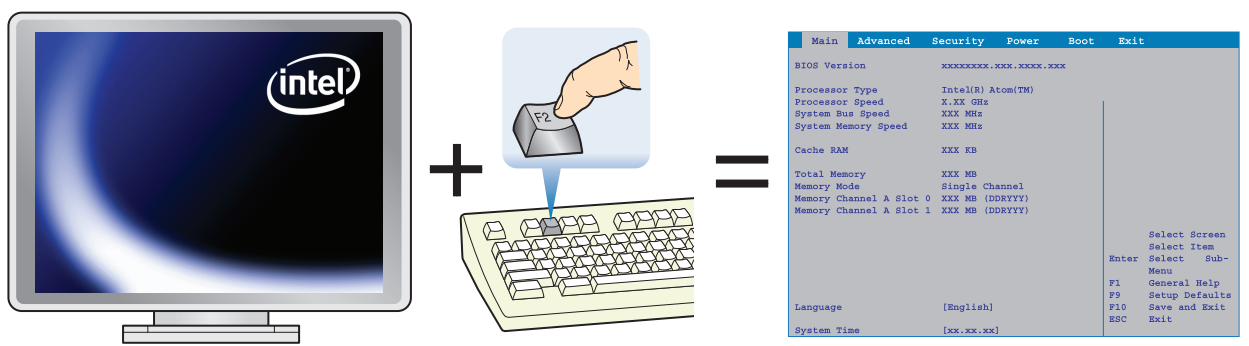
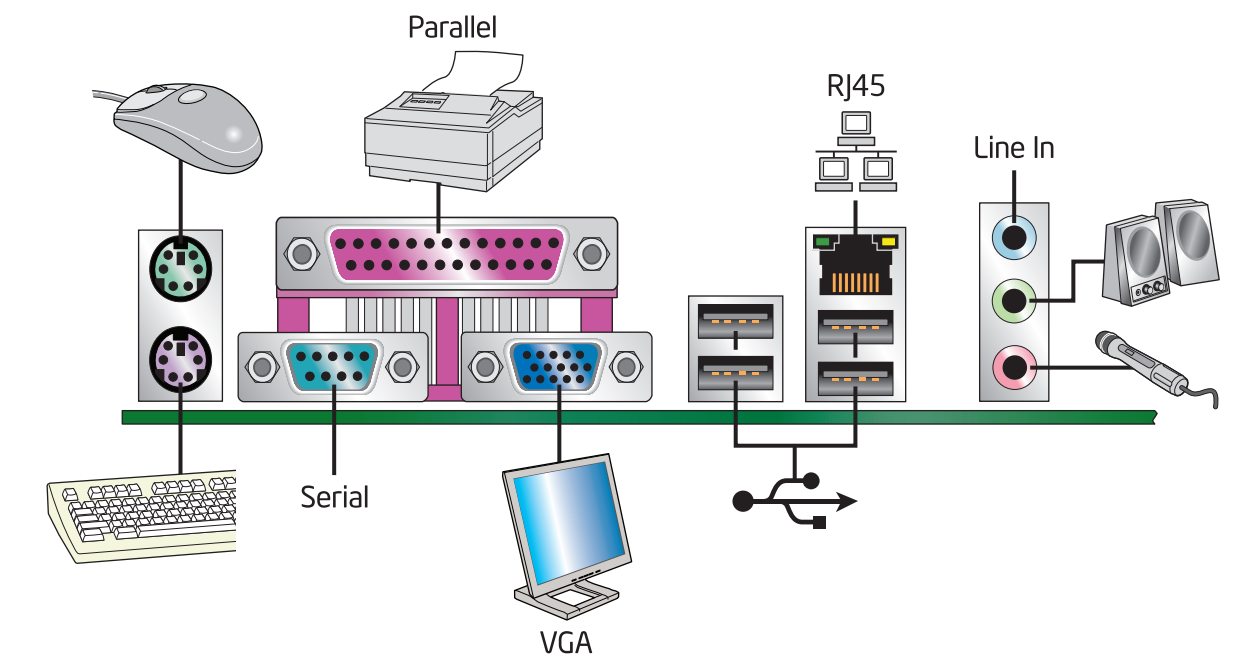


Front Panel USB 1/USB 2		
Power (+5 V)	1 2	Power (+5 V)
D-	3 4	D-
D+	5 6	D+
Ground	7 8	Ground
Key (no pin)	10	No Connection



BIOS Configuration Jumper Block

1-2	Normal
2-3	Configuration
No jumper	Recovery



WARNING
Disconnect the desktop board's power supply from its AC power source before you connect or disconnect cables, or install or remove any board components. Failure to do this can result in personal injury or equipment damage. Some circuitry on the desktop board can continue to operate even though the front panel switch is off.

CAUTION
Electrostatic discharge (ESD) can damage desktop board components. Install the board at an ESD-controlled workstation. If such a workstation is not available, wear an antistatic wrist strap or touch the surface of the antistatic package before handling the board.

Safety and Regulatory Notice
See the Intel® Desktop Board Product Guide for all applicable regulatory compliance statements, product certification markings, and safety and electromagnetic compatibility (EMC) standards and regulations the desktop board is compliant with.

Replacement Battery Warning Label Provided: Place the label inside the chassis in an easy-to-see location near the battery but not on the board itself.

Use Only for Intended Applications: All Intel desktop boards are evaluated as Information Technology Equipment (I.T.E.) for use in personal computers (PC) for installation in homes, offices, schools, computer rooms, and similar locations. The suitability of this product for other PC or embedded non-PC applications or other environments, such as medical, industrial, alarm systems, test equipment, etc., may not be supported without further evaluation by Intel.

Online Support
To find information about... Visit this World Wide Web site:
Product support information: <http://www.intel.com/support/motherboards/desktop/>
Integration information: <http://www.intel.com/support/go/buildit>
Phone and e-mail contacts: <http://www.intel.com/support/index.htm>

INFORMATION IN THIS DOCUMENT IS PROVIDED IN CONNECTION WITH INTEL® PRODUCTS. NO LICENSE, EXPRESS OR IMPLIED, BY ESTOPPEL OR OTHERWISE, TO ANY INTELLECTUAL PROPERTY RIGHTS IS GRANTED BY THIS DOCUMENT. EXCEPT AS PROVIDED IN INTEL'S TERMS AND CONDITIONS OF SALE FOR SUCH PRODUCTS, INTEL ASSUMES NO LIABILITY WHATSOEVER, AND INTEL DISCLAIMS ANY EXPRESS OR IMPLIED WARRANTY, RELATING TO SALE AND/OR USE OF INTEL PRODUCTS INCLUDING LIABILITY OR WARRANTIES RELATING TO FITNESS FOR A PARTICULAR PURPOSE, MERCHANTABILITY, OR INFRINGEMENT OF ANY PATENT, COPYRIGHT OR OTHER INTELLECTUAL PROPERTY RIGHT. Intel products are not intended for use in medical, life saving, or life sustaining applications. Intel may make changes to specifications and product descriptions at any time, without notice.

Intel® Desktop Boards may contain design defects or errors known as errata which may cause the product to deviate from published specifications. Current characterized errata are available on request.