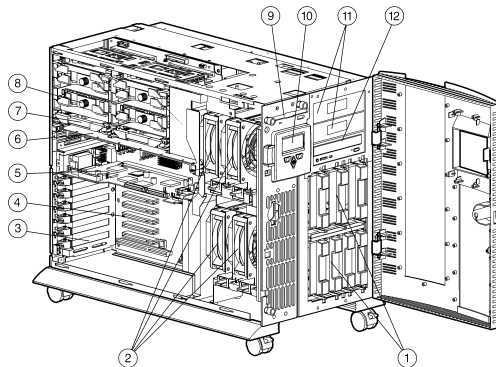


## Overview

### AT A GLANCE

- The ProLiant 5500 sets the standard for value and performance in the enterprise
- Dual Peer PCI architecture (no need to balance I/O)
- One to four Intel Pentium® II Xeon™ processor 400 or 450 MHz with 100-MHz front-side bus & full speed cache
- ECC-protected memory bus and cache
- 128 MB (400/512K models) or 256 MB (all other models) of ECC EDO memory expandable to 4 GB
- Seven I/O slots: Six PCI and One shared PCI/ISA
- Compaq NC3120 10/100 TX PCI UTP Controller in a slot (400-MHz models) or Compaq 10/100 TX PCI Intel UTP Controller in a slot (450-MHz models)
- Integrated Dual Channel Wide-Ultra SCSI-3 Adapter
- Optional Smart Array 3200 controller
- Internal hot plug storage capacity up to 218.4 GB (6 x 36.4 GB)
- Standard Wide-Ultra SCSI-3 Drive Cage (7 x 1" or 6 x 1.6")
- Optional Wide-Ultra SCSI-3 Duplex and Wide Ultra2/Ultra3 SCSI Simplex drive cages
- Integrated Remote Console
- 750/500 Watt Hot Plug Power Supply with optional redundancy
- Optional redundant fan
- Automatic Server Recovery-2 (ASR-2)
- Optional Integrated Management Display (IMD)
- High Speed IDE CD-ROM Drive
- NTSL YMARK2000 tested
- Protected by Compaq Services, including a three-year, on-site limited warranty and extended Pre-Failure Warranty that covers processors, memory and disk drives — Certain restrictions and exclusions apply. Consult the Compaq Customer Support Center at 1-800-345-1518 for details.

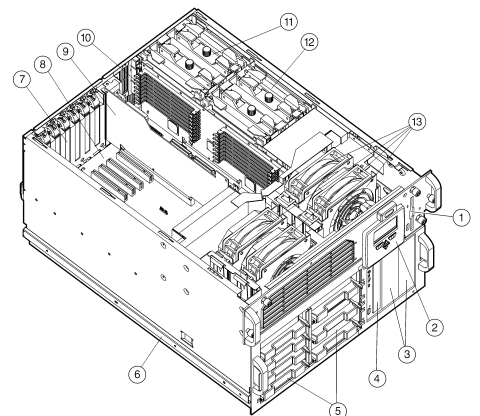


### Tower Models

1. Hot Plug SCSI Drive Cage
2. Two Primary Fans, Two Optional Redundant Fans
3. I/O Slot Covers
4. System Board
5. Peripheral Board
6. Memory Board
7. Processor Power Module
8. Intel Pentium II Xeon Processor
9. Floppy Drive
10. Optional Integrated Management Display
11. Half height Bays
12. CD-ROM Drive

### Rack Models

1. Floppy Drive
2. Integrated Management Display
3. Half height Bays
4. CD-ROM Drive
5. Hot Plug SCSI Drive Cage
6. Rack Slide Rail
7. I/O Slot Covers
8. System Board
9. Peripheral Board
10. Memory Board
11. Intel Pentium II Xeon Processor
12. Processor Power Module
13. Two Primary Fans, Two Optional Redundant Fans



# QUICK SPECS

Compaq ProLiant 5500  
Pentium II Xeon Models

## Standard Features

### MODELS

Compaq ProLiant 5500  
Pentium II Xeon Models  
Available in multiple  
configurations.

#### Processor – One of the following

Intel Pentium II Xeon processor 450 MHz  
Intel Pentium II Xeon processor 400 MHz

#### Cache Memory – One of the following

512-KB level 2 writeback cache per processor standard  
1-MB level 2 writeback cache per processor standard

#### Upgradability

Upgradable to quad processing  
Upgradable to 450-MHz, 2-MB level 2 writeback cache per processor (450-MHz models)

Upgradable to quad processing  
Upgradable to 450-MHz processors (400-MHz models)

#### Memory – One of the following

Standard	256 MB (450/512K and 450/1M models)
Maximum	4 GB

Standard	128 MB (400/512K model) or 256 MB (400/1M model)
Maximum	4 GB

#### Network Controller

Compaq NC3120 10/100 TX PCI Intel UTP controller occupying one PCI slot

#### Expansion Slots

I/O (Total)	7,6 available
PCI	6
Shared PCI/ISA	1

#### Storage Controller

Integrated Dual Channel Wide-Ultra SCSI-3 Adapter

#### Storage

Diskette Drives	1.44 MB
CD-ROM	High Speed IDE CD-ROM Drive
Maximum Internal Storage	218.4 GB (internal hot plug drive cage only) (6 x 36.4)

#### Interfaces

Parallel	1
Serial	2
Pointing Device (Mouse)	1
Graphics	1
Hot Plug Keyboard	1
External Wide-Ultra SCSI-3	1
Network RJ-45	1

#### Graphics

Integrated 1280 x 1024, 256 color on PCI local bus, 2-MB video memory

## Standard Features

### Form Factor

---

Tower or Rack (7U)

### Compaq Software

---

Compaq Insight Manager	The comprehensive system management tool that monitors the operation of Compaq servers, workstations and clients
Compaq SmartStart	The server configuration and software integration tool from Compaq
Array Configuration Utility (ACU) with Smart Array Controllers	Same easy to use yet powerful GUI configuration utility and easy to navigate wizards for all Smart Array Controllers

### Manageability

---

- Automatic Server Recovery-2 (ASR-2)
- Integrated Remote Console (IRC)
  - Hardware Remote Console
  - Full Remote Server Reboot Capability
  - Reset and Failure Sequence Replay
  - Host Hardware Independent
  - Operating System Independent
- Server Health Logging
- Revision History Table
- Automatic Revision Tracking
- Drive Parameter Tracking (with Smart Array Controller)
- Dynamic Sector Repairing (with Smart Array Controller)
- Off-Line Backup Processor capability
- Pre-Failure Warranty (covers processors, hard drives and memory)
- Redundant Fan Support

### Security

---

- Power-on password
- Hot plug keyboard password
- Diskette drive control
- Diskette boot control
- QuickLock, Network Server Mode
- Parallel and serial interface control
- Administrator's password
- Disk configuration lock
- Power supply security bar

### Power Supply

---

750/500 Watt Hot Plug Power Supply

### Required Cabling

---

For required cabling information, refer to the Compaq website at <http://www.compaq.com/products/servers/proliant5500-xeon> <http://www.compaq.com/products/server/proliant5500r-xeon>

**Note:** This website is available in English only.

### OS Support

---

- Microsoft Windows NT
- Microsoft Windows 2000 Server
- Novell NetWare
- SCO UnixWare and OpenServer
- IBM OS/2 Warp Family
- Sun Solaris

### Service and Support

---

Compaq Services provides a wide range of service offerings, including a three-year, limited warranty fully supported by a worldwide network of resellers and service providers, lifetime toll-free 7 x 24 hardware technical phone support, and Pre-Failure Warranty coverage of hard drives, memory and processors. Disaster recovery services are available through partnership with Comdisco.

**Note:** Certain restrictions and exclusions apply. Consult the Compaq Customer Support Center at 1-800-345-1518 for details.

# QUICKSPECS

Compaq ProLiant 5500  
Pentium II Xeon Models

## Standard Features

### Tower Models

**6/450 1M Model 2**  
401147-xx1

<b>Processor(s)</b>	(2) Intel Pentium II Xeon 450-MHz	<b>Network Controller</b>	Compaq NC3120 10/100 TX PCI
<b>Cache Memory</b>	512-KB Level 2 writeback per processor	<b>Storage Controller</b>	Integrated Dual Channel Wide-Ultra SCSI-3 Adapter
<b>Memory</b>		<b>Internal Storage</b>	218.4 GB max (6 x 36.4)
Standard	256 MB	<b>Optical Drive</b>	High Speed IDE CD-ROM Drive
Maximum	4 GB	<b>Form Factor</b>	Tower

**6/450 512K Model 1**  
401145-xx1

<b>Processor(s)</b>	(1) Intel Pentium II Xeon 450-MHz	<b>Network Controller</b>	Compaq NC3120 10/100 TX PCI
<b>Cache Memory</b>	1-MB Level 2 writeback per processor	<b>Storage Controller</b>	Integrated Dual Channel Wide-Ultra SCSI-3 Adapter
<b>Memory</b>		<b>Internal Storage</b>	218.4 GB max (6 x 36.4)
Standard	256 MB	<b>Optical Drive</b>	High Speed IDE CD-ROM Drive
Maximum	4 GB	<b>Form Factor</b>	Tower

**6/400 1M Model 2**  
352300-xx2

<b>Processor(s)</b>	(2) Intel Pentium II Xeon 400-MHz	<b>Network Controller</b>	Compaq NC3120 10/100 TX PCI
<b>Cache Memory</b>	512-KB Level 2 writeback per processor	<b>Storage Controller</b>	Integrated Dual Channel Wide-Ultra SCSI-3 Adapter
<b>Memory</b>		<b>Internal Storage</b>	218.4 GB max (6 x 36.4)
Standard	128 MB	<b>Optical Drive</b>	High Speed IDE CD-ROM Drive
Maximum	4 GB	<b>Form Factor</b>	Tower

**6/400 512K Model 1**  
352300-xx1

<b>Processor(s)</b>	(1) Intel Pentium II Xeon 400-MHz	<b>Network Controller</b>	Compaq NC3120 10/100 TX PCI
<b>Cache Memory</b>	1-MB Level 2 writeback per processor	<b>Storage Controller</b>	Integrated Dual Channel Wide-Ultra SCSI-3 Adapter
<b>Memory</b>		<b>Internal Storage</b>	218.4 GB max (6 x 36.4)
Standard	128 MB	<b>Optical Drive</b>	High Speed IDE CD-ROM Drive
Maximum	4 GB	<b>Form Factor</b>	Tower

# QUICKSPECS

Compaq ProLiant 5500  
Pentium II Xeon Models

## Standard Features

### Rack Models

**6/450 1MB Model 2 Rack**  
401148-xx1

<b>Processor(s)</b>	(2) Intel Pentium II Xeon 450-MHz	<b>Network Controller</b>	Compaq 10/100 TX PCI Intel UTP
<b>Cache Memory</b>	512-KB or 1-MB Level 2 writeback per processor	<b>Storage Controller</b>	Integrated Dual Channel Wide-Ultra SCSI-3 Adapter
<b>Memory</b>		<b>Internal Storage</b>	218.4 GB max (6 x 36.4)
Standard	256 MB	<b>Optical Drive</b>	High Speed IDE CD-ROM Drive
Maximum	4 GB	<b>Form Factor</b>	Rack (7U)

**6/450 512K Model 1 Rack**  
401146-xx1

<b>Processor(s)</b>	(1) Intel Pentium II Xeon 450-MHz	<b>Network Controller</b>	Compaq 10/100 TX PCI Intel UTP
<b>Cache Memory</b>	512-KB or 1-MB Level 2 writeback per processor	<b>Storage Controller</b>	Integrated Dual Channel Wide-Ultra SCSI-3 Adapter
<b>Memory</b>		<b>Internal Storage</b>	218.4 GB max (6 x 36.4)
Standard	256 MB	<b>Optical Drive</b>	High Speed IDE CD-ROM Drive
Maximum	4 GB	<b>Form Factor</b>	Rack (7U)

**6/400 1MB Model 2 Rack**  
352310-xx2

<b>Processor(s)</b>	(2) Intel Pentium II Xeon 400-MHz	<b>Network Controller</b>	Compaq 10/100 TX PCI Intel UTP
<b>Cache Memory</b>	512-KB or 1-MB Level 2 writeback per processor	<b>Storage Controller</b>	Integrated Dual Channel Wide-Ultra SCSI-3 Adapter
<b>Memory</b>		<b>Internal Storage</b>	218.4 GB max (6 x 36.4)
Standard	128 MB	<b>Optical Drive</b>	High Speed IDE CD-ROM Drive
Maximum	4 GB	<b>Form Factor</b>	Rack (7U)

**6/400 512K Model 1 Rack**  
352310-xx1

<b>Processor(s)</b>	(1) Intel Pentium II Xeon 400-MHz	<b>Network Controller</b>	Compaq 10/100 TX PCI Intel UTP
<b>Cache Memory</b>	512-KB or 1-MB Level 2 writeback per processor	<b>Storage Controller</b>	Integrated Dual Channel Wide-Ultra SCSI-3 Adapter
<b>Memory</b>		<b>Internal Storage</b>	218.4 GB max (6 x 36.4)
Standard	128 MB	<b>Optical Drive</b>	High Speed IDE CD-ROM Drive
Maximum	4 GB	<b>Form Factor</b>	Rack (7U)

### Country Code Key

XX=00	US
XX=02	Int'l
XX=03	Great Britain
XX=29	Japan
XX=37	APD
XX=AA	PRC

## Options

### Processor

ProLiant 5500 6/450 2-MB Processor Option Kit	328978-B21
ProLiant 5500 6/450 1-MB Processor Option Kit	328977-B21
ProLiant 5500 6/450 512K Processor Option Kit	328976-B21
ProLiant 5500 6/400 1-MB Processor Option Kit	328718-B21
ProLiant 5500 6/400 512K Processor Option Kit	328717-B21

### Memory (DIMMs)

#### 50ns EDO

1024-MB EDO Memory Expansion Kit (4 x 256-MB buffered EDO DIMMs, 50ns)	328583-B21
512-MB EDO Memory Expansion Kit (4 x 128-MB buffered EDO DIMMs, 50ns)	328582-B21
256-MB EDO Memory Expansion Kit (4 x 64-MB buffered EDO DIMMs, 50ns)	328581-B21
128-MB EDO Memory Expansion Kit (4 x 32-MB buffered EDO DIMMs, 50ns)	328580-B21

### Optical Drives

DVD-ROM Drive Option Kit (Opal) (DVD-ROM Drive Option Kit only supported by Windows NT or Windows 2000 OS.)	388481-B21
--	------------

### Internal Storage

Simplex/Duplex Wide-Ultra SCSI-3 Drive Cage Option Kit (Wide-Ultra SCSI-3 Drives require the purchase of the Simplex/Duplex Wide-Ultra Drive Cage Option Kit (328073-B21) when using in the Wide Ultra2 Models.)	328073-B21
Wide Ultra2/Ultra3 SCSI Drive Cage Option Kit (Wide Ultra2/Ultra3 Drives require the purchase of the Wide Ultra2/Ultra3 SCSI Drive Cage Option Kit (382157-B21) when using in Wide-Ultra SCSI-3 Models.)	382157-B21
Duplex Ultra2/Ultra3 SCSI Drive Cage Option Kit (Wide Ultra2/Ultra3 Drives require the purchase of the Wide Ultra2/Ultra3 SCSI Drive Cage Option Kit (382157-B21) when using in Wide-Ultra SCSI-3 Models.)	123135-B21

### Hard Drives

(Caution – Check to make sure that you are using the right drive with the correct drive cage)

#### Wide Ultra3 SCSI – Universal Hot Plug

18.2-GB Wide Ultra3 SCSI 10,000 rpm Drive (1")	142673-B22
9.1-GB Wide Ultra3 SCSI 10,000 rpm Drive (1")	142671-B22

**Note:** Requires purchase and installation of Wide Ultra2/Ultra3 SCSI Drive Cage (382157-B21).

#### Wide Ultra2 SCSI – Universal Hot Plug

18.2-GB Wide Ultra2 SCSI 10,000 rpm Drive (1")	128418-B22
18.2-GB Wide Ultra2 SCSI Drive (1")	388144-B22
9.1-GB Wide Ultra2 SCSI 10,000 rpm Drive (1")	328939-B22
9.1-GB Wide Ultra2 SCSI Drive (1")	123065-B22

**Note:** Requires purchase and installation of Wide Ultra2/Ultra3 SCSI Drive Cage (382157-B21).

#### Wide Ultra3 SCSI – Non-Hot Plug

18.2-GB Wide Ultra3 SCSI 10,000 rpm Drive (1")	142674-B21
9.1-GB Wide Ultra3 SCSI 10,000 rpm Drive (1")	142672-B21

#### Wide Ultra2 SCSI – Non-Hot Plug

18.2-GB Wide Ultra2 SCSI Drive (1")	388143-B21
9.1-GB Wide Ultra2 SCSI Drive (1")	349526-B21

## Options

### Hard Drives *(continued)*

#### Wide-Ultra SCSI-3 – Hot Plug

36.4-GB Wide-Ultra SCSI-3 Drive 10,000 rpm (1.6")	128420-B21
36.4-GB Wide-Ultra SCSI-3 Drive (1.6")	400740-B21
18.2-GB Wide-Ultra SCSI-3 10,000 rpm Drive (1")	128417-B21
18.2-GB Wide-Ultra SCSI-3 Drive (1")	400739-B21
9.1-GB Wide-Ultra SCSI-3 10,000 rpm Drive (1")	336357-B21
9.1-GB Wide-Ultra SCSI-3 Drive (1")	313706-B21

### Storage Controllers

Smart Array 431 Controller	127695-B21
Smart Array 431 Controller (Japan)	127695-291
Smart Array 221 Controller	388099-B21
Smart Array 221 Controller (Japan)	388099-291
Smart Array 3200 Controller	295643-B21
Smart Array 3200 Controller (Japan)	295643-291
Smart Array 4200 Controller	295636-B21
Smart Array 4200 Controller (Japan)	295636-291
64-Bit Dual Channel Wide Ultra2 SCSI Adapter	348757-B21
64-Bit Dual Channel Wide Ultra2 SCSI Adapter (Japan)	348757-291
64-Bit/66Mhz Dual Channel Wide Ultra3 SCSI Adapter	129803-B21
<b>Note:</b> The 64-Bit/66MHz Dual Channel Wide Ultra3 SCSI Adapter (129803-xx1) will default to Wide Ultra2, Wide-Ultra SCSI-3, Fast-Wide SCSI-2 or Fast SCSI-2 when not used with the Wide Ultra3 hard drives.	
64-Bit/66Mhz Dual Channel Wide Ultra3 SCSI Adapter (Japan)	129803-291
<b>Note:</b> The 64-Bit/66MHz Dual Channel Wide Ultra3 SCSI Adapter (129803-xx1) will default to Wide Ultra2, Wide-Ultra SCSI-3, Fast-Wide SCSI-2 or Fast SCSI-2 when not used with the Wide Ultra3 hard drives.	
64-Bit/66Mhz Single Channel Wide Ultra3 SCSI Adapter	154457-B21
<b>Note:</b> The 64-Bit/66MHz Single Channel Wide Ultra3 SCSI Adapter (154457-xx1) will default to Wide Ultra2, Wide-Ultra SCSI-3, Fast-Wide SCSI-2 or Fast SCSI-2 when not used with the Wide Ultra3 hard drives.	
64-Bit/66Mhz Single Channel Wide Ultra3 SCSI Adapter	154457-291
<b>Note:</b> The 64-Bit/66MHz Single Channel Wide Ultra3 SCSI Adapter (154457-xx1) will default to Wide Ultra2, Wide-Ultra SCSI-3, Fast-Wide SCSI-2 or Fast SCSI-2 when not used with the Wide Ultra3 hard drives.	
Wide-Ultra SCSI-3 Adapter	272514-001

### Communications

Compaq NC3123 Fast Ethernet NIC PCI 10/100 WOL	174830-B21
Compaq NC3122 Fast Ethernet NIC PCI Dual 10/100	317450-B21
Compaq NC3131 Fast Ethernet NIC 64 PCI Dual Base 10/100	338456-B21
Compaq NC3132 Fast Ethernet Module Dual 10/100 Upgrade Module for NC3131	338456-B22
Compaq NC6132 Gigabit Module 1000 SX Upgrade Module for NC3131	338456-B23
Compaq NC6133 Gigabit Module 1000 LX Upgrade Module for NC3131	338456-B24
Compaq NC3133 Fast Ethernet Module 100 FX Upgrade Module for NC3131	338456-B25
Compaq NC6134 Gigabit NIC 64 PCI 1000 SX	174818-B21
Compaq 100 FDDI PCI SAS Fibre-SC Controller	242505-001
Compaq 100 FDDI PCI SAS UTP Controller	242507-001
Compaq 100 FDDI PCI DAS Fibre-SC Controller	242509-001
Compaq 100 FDDI PCI DAS UTP Controller	242511-001
Compaq 100 FDDI PCI SAS Fibre-MIC Controller	287728-001

## Options

### Communications *(continued)*

Compaq NC4621 Token Ring NIC PCI 4/16 WOL	379956-B21
IBM 16/4 Token Ring PCI Special	133749-B21
Compaq 56K ISA Fax Modem v.90	294900-002
ServerNet PCI Adapter	309833-B22
4M Cable	309834-B23
30M Cable	309834-B22

### Internal Tape Drives

Internal 20/40-GB DAT DDS-4 Tape Drive	157769-B21
Internal 12/24-GB DAT Drive (Opal)	295513-B22
Internal 12/24-GB DAT Drive (Opal) (Japan)	295513-292
Internal 4/8-GB DAT Drive (Opal)	295353-B22
Internal 4/8-GB DAT Drive (Opal) (Japan)	295353-292
Internal 4/8-GB SLR Drive (Opal)	295480-B22
Internal 4/8-GB SLR Drive (Opal) (Japan)	295480-292
Internal 35/70-GB DLT Drive	242520-B21
Internal 35/70-GB DLT Drive (Japan)	242520-291
Internal 20/40-GB DLT Drive (Opal)	340743-B22
Internal 20/40-GB DLT Drive (Opal) (Japan)	340743-292
Internal AIT 50-GB Tape Drive	157766-B21
Internal AIT 35-GB Tape Drive	388504-B21
20/40-GB DAT 8 Cassette Autoloader - Internal	166504-B21
12/24-GB DAT DDS-3 8 Cassette autoloader (internal)	103549-B21
4-GB DDS-2 DAT Cassette	137611-001
DDS-4 Media (10 pack)	152842-001
12/24-GB DDS-3 DAT 8 Cassette Pre-Filled Magazine (7 data cassettes, 1 cleaning cassette)	134117-B21
20/40-GB DAT 8 Cassette Magazine w/Media	171532-B21
12-GB DDS-3 DAT Cassette (10 pack)	295515-B21
DAT Cleaning Cassette	242781-001
AIT 50-GB Data Cassette (5 pack)	152841-001
AIT 35-GB Data Cassette (5 pack)	402371-B21
AIT Cleaning Cassette	402374-B21

### Redundant Options

Redundant Fan Kit	386121-B21
Compaq Hot Plug DC Power Supply	241729-B21
Compaq Hot Plug Redundant Power Supply (The Compaq Hot Plug Redundant Power Supply (306592-B21) ships standard with the ProLiant 5500. A second one is required for redundancy.)	306592-B21

### Management Options

Integrated Management Display (Beach Gray)	264377-B23
Integrated Management Display Option (Opal)	127409-B21
Compaq Remote Insight Lights-Out Edition	157866-001
Compaq Remote Insight Lights-Out Edition (EURO)	157866-021
Compaq Remote Insight Lights-Out Edition (APD, Japan)	157866-371
Compaq Remote Insight (PCI) LAN + NA Modem	294013-002
Compaq Remote Insight Board (PCI) LAN/Serial without modem	294013-B24
Compaq Remote Insight Board (PCI) LAN only	294013-B25



## Options

### Monitors

TFT8020 18" Flat Panel Monitor (opal)	326100-001
TFT8020 18" Flat Panel Monitor (carbon)	159244-001
TFT8020 18" Flat Panel Monitor (opal, bulk pack 2 monitor heads per box)	173610-001
TFT8000 (carbon, with protective cover)	307935-001
TFT8000 (opal, with protective cover)	307931-001
TFT8000 (carbon, no protective cover)	307932-001
TFT8000 (opal, no protective cover)	307906-001
TFT5010 15" Flat Panel Monitor (opal)	104741-001
TFT5010 15" Flat Panel Monitor (carbon)	154486-001
TFT5000R Flat Panel Monitor	120207-001
TFT5000S Flat Panel Color Monitor	122729-001
P1100 Color	325606-001
P900 Color	386326-001
P700 Color	380207-001
V1100 Color	386472-001
V700 Color (opal)	325800-001
V700 Color (carbon)	325800-002
V500 Color	325900-001
S910 Color	138485-001
S710 Color	152991-001
S510 Color	168636-001

**Note:** Monitors larger than 17" may be too heavy for use in rack systems.

### External Tape Drives

External 20/40-GB DAT DDS-4 Tape Drive	157770-001
External 20/40-GB DAT DDS-4 Tape Drive (Int'l)	157770-B31
External 20/40-GB DAT DDS-4 Tape Drive (Japan)	157770-291
External 35/70-GB DLT Drive	242521-B21
External 35/70-GB DLT Drive (Japan)	242521-291
External 20/40-GB DLT Drive (Opal)	340744-B22
External 20/40-GB DLT Drive (Opal) (Japan)	340744-292
External AIT 50-GB Tape Drive	157767-001
External AIT 50-GB Tape Drive (Int'l)	157767-B31
External AIT 50-GB Tape Drive (Japan)	157767-291
External AIT 35-GB Tape Drive	388507-001
External AIT 35-GB Tape Drive (Int'l)	388507-B31
External AIT 35-GB Tape Drive (Japan)	388507-291
20/40-GB DAT 8 Cassette Autoloader - External	166505-001
20/40-GB DAT 8 Cassette Autoloader - External (Int'l)	166505-B31
20/40-GB DAT 8 Cassette Autoloader - External (Japan)	166505-291
12/24-GB DAT DDS-3 8 Cassette autoloader (external)	110946-001
4-GB DDS-2 DAT Cassette	137611-001
DDS-4 Media (10 pack)	152842-001
12/24-GB DDS-3 DAT 8 Cassette Pre-Filled Magazine (7 data cassettes, 1 cleaning cassette)	134117-B21
20/40-GB DAT 8 Cassette Magazine w/Media	171532-B21
12-GB DDS-3 DAT Cassette (10 pack)	295515-B21
DAT Cleaning Cassette	242781-001

## Options

### External Tape Drives *(continued)*

AIT 50-GB Data Cassette (5 pack)	152841-001
AIT 35-GB Data Cassette (5 pack)	402371-B21
AIT Cleaning Cassette	402374-B21

### External Storage - Tower

Compaq StorageWorks Enclosure Model 4214T (tower)	124875-001
Compaq StorageWorks Enclosure Model 4214T (tower) (Int'l)	124875-B31
Compaq StorageWorks Enclosure Model 4214T (tower) (Japan)	124875-291

**Note:** The Compaq StorageWorks Enclosure 4200 Family support the Wide Ultra2/Ultra3 1" Hot Plug Hard Drives.

SCSI Storage Expander II	332609-001
ProLiant Tower Storage System Model UE	348710-002
ProLiant Storage System Tower Model UE (Int'l)	348710-B31
ProLiant Storage System Tower Model UE (Japan)	348710-291
ProLiant Tower Storage System Model U2	304110-B22
ProLiant Storage System Tower Model U2 (Int'l)	304114-B32
ProLiant Storage System Tower Model U2 (Japan)	304114-292

**Note:** The Compaq ProLiant Storage System Models UE and U2 support the Wide-Ultra SCSI-3 Drives.

ProLiant Storage System Model F1 or U1 to Model UE Upgrade Kit	348718-B21
ProLiant Storage System Model F1 or U1 to Model UE Upgrade Kit (Japan)	348718-291
ProLiant Storage System Model F2 or U2 to Model UE Upgrade Kit	348706-B21
ProLiant Storage System Model F2 or U2 to Model UE Upgrade Kit (Japan)	348706-291
Conversion Kit, SB to DB/U	304116-B21
Conversion Kit, DB to SB/U	304115-B21
ProLiant Storage System/U Redundant Power Supply Option	224206-001
ProLiant Storage System/U Redundant Power Supply Option (Int'l)	224214-001
StorageWorks Enclosure 4200 Redundant Power Supply Option	119826-B21
StorageWorks Enclosure 4200 Dual Bus Module Option	119829-B21
StorageWorks Enclosure Tower to Rack Conversion Kit	150213-B21

### External Storage - Rack

Compaq StorageWorks Enclosure Model 4214R (rack-mountable)	103381-001
Compaq StorageWorks Enclosure Model 4214R (rack-mountable) (Int'l)	103381-B31
Compaq StorageWorks Enclosure Model 4214R (rack-mountable) (Japan)	103381-291
Compaq StorageWorks Enclosure Model 4254R (rack-mountable)	138151-001
Compaq StorageWorks Enclosure Model 4254R (rack-mountable) (Int'l)	138151-B31
Compaq StorageWorks Enclosure Model 4254R (rack-mountable) (Japan)	138151-291

**Note:** The Compaq StorageWorks Enclosure 4200 Family support the Wide Ultra2/Ultra3 1" Hot Plug Hard Drives.

Rack-Mountable SCSI Storage Expander II	332607-001
Rack-Mountable SCSI Storage Expander II (Int'l)	332607-B31
Rack-Mountable ProLiant Storage System Model UE	348700-001
Rack-Mountable ProLiant Storage System Model UE (Int'l)	348700-B31
Rack-Mountable ProLiant Storage System Model UE (Japan)	348700-291
Rack-Mountable ProLiant Storage System Model U2	304100-B22
Rack-Mountable ProLiant Storage System Model U2 (Int'l)	304104-B32
Rack-Mountable ProLiant Storage System Model U2 (Japan)	304104-292

**Note:** The Compaq ProLiant Storage System Family supports the Wide-Ultra SCSI-3 Hot Plug Hard Drives.

ProLiant Storage System Model F1 or U1 to Model UE Upgrade Kit	348718-B21
ProLiant Storage System Model F1 or U1 to Model UE Upgrade Kit (Japan)	348718-291

## Options

### External Storage – Rack *(continued)*

ProLiant Storage System Model F2 or U2 to Model UE Upgrade Kit	348706-B21
ProLiant Storage System Model F2 or U2 to Model UE Upgrade Kit (Japan)	348706-291
ProLiant Storage System/U Redundant Power Supply Option	224206-B21
ProLiant Storage System/U Redundant Power Supply Option (Int'l)	224214-001
StorageWorks Enclosure 4200 Redundant Power Supply Option	119826-B21
StorageWorks Enclosure 4200 Dual Bus Module Option	119829-B21
StorageWorks Enclosure Tower to Rack Conversion Kit	150213-B21

### Server Recovery

Recovery Server Option for ProLiant Storage System Model U1 & F1	304117-B21
ProLiant Storage System RSO/U Tower	387490-002
ProLiant Storage System RSO/U Tower (Int'l)	387490-B32
ProLiant Storage System RSO/U Tower (Japan)	387490-292
Rack-Mountable ProLiant Storage System RSO/U	387256-001
Rack-Mountable ProLiant Storage System RSO/U (Int'l)	387256-B31
Rack-Mountable ProLiant Storage System RSO/U (Japan)	387256-291

**Note:** The Compaq ProLiant Storage System RSO/U Models support the Wide-Ultra SCSI-3 Drives.

### DLT Libraries

DLT Tape Array Model 0	199860-001
DLT Tape Array II Model 35/70-4 (U.S.) no software	295165-001
DLT Tape Array II Model 35/70-4 no software (Int'l)	295165-B31
DLT Library 15 Cartridge Model 35/70-1	350365-001
DLT Library 15 Cartridge Model 35/70-2 (Models not available in North America.)	350365-002
DLT Library 15 Cartridge Model 35/70-1 (Japan)	350365-291
DLT Library 15 Cartridge Model 35/70-2 (Japan)	350365-292
DLT Library 15 Cartridge Model 20/40-1	350362-001
DLT Library 15 Cartridge Model 20/40-2	350362-002
DLT Library 15 Cartridge Model 20/40-1 (Int'l)	350362-B31
DLT Library 15 Cartridge Model 20/40-1 (Japan)	350362-291
DLT Library 15 Cartridge Model 20/40-2 (Int'l)	350362-B32
35/70 DLT Library Ready Drive	295557-B21
35/70 DLT Library Ready Drive (Japan)	295557-291
20/40 DLT Library Ready Drive	350364-B21
20/40 DLT Library Ready Drive (Japan)	350364-B21
DLT Library Tabletop Conversion Kit	295162-B21
ESL9326D Enterprise Library 6 35/70	146205-B23
ESL9326D Enterprise Library 8 35/70	146205-B24
ESL9326D Enterprise Library 10 35/70	146205-B25
ESL9326D Enterprise Library 12 35/70	146205-B26
ESL9326D Enterprise Library 14 35/70	146205-B27
ESL9326D Enterprise Library 16 35/70	146205-B28
TL895 (96 slot) library unit, 2 drive	349350-B22
TL895 (96 slot) library unit, 3 drive	349350-B23
TL895 (96 slot) library unit, 4 drive	349350-B24
TL895 (96 slot) library unit, 5 drive	349350-B25
TL895 (96 slot) library unit, 6 drive	349350-B26
TL895 (96 slot) library unit, 7 drive	349350-B27

## Options

### DLT Libraries (continued)

TL891 DLT library unit, 1 drive Table Top	120875-B21
TL891 DLT library unit, 2 drive Table Top	120875-B22
TL881 DLT Library, 1 drive Table Top, FWD	128667-B21
TL881 DLT Library, 2 drive Table Top, FWD	128667-B22
TL881 DLT Library, 1 drive Table Top, FWSE	128668-B21
TL881 DLT Library, 2 drive Table Top, FWSE	128668-B22
MiniLibrary Data Unit	128670-B21
MiniLibrary Expansion Unit	120877-B21
Type IV DLT Drive Cassette (single)	295194-B21
Type IV DLT Drive Cassette (7 pack)	295192-B21
DLT Cleaning Cartridge	199704-001
DLT Tape Array Cable Kit	242427-001
DLT Magazine with five Type IV DLT Tape	295168-B21
10 Slot Magazine	120881-B21
ESL9326D Add-On 35/70 Drive	146209-B21
Add-On 35/70-GB Drive for TL891	120878-B31
Add-On 20/40-GB Drive for TL881	128671-B21
MiniLibrary Pass Thru Mechanism Kit	120880-B21
MiniLibrary Table Top to Rack Mount Conversion Kit, Metric/RETMA racks	120882-B21
MiniLibrary Table Top to Rack Mount Conversion Kit, Compaq racks	120883-B21
DLT7000 drive upgrade kit	349351-B21

**Note:** The DLT 15 Cartridge Library Model 20/40 or Model 35/70 can be mounted in a Compaq rack. To use any model of the library on a tabletop, the customer would purchase one of the Library Models listed above and would also order the Tabletop Conversion Kit (350384-B21) to provide metal top and side covers. Refer to the Compaq DLT Libraries QuickSpec for details.

DLT Library Model 20/40 or 35/70 includes one 20/40 DLT data cartridge or one 35/70 DLT data cartridge and three empty 5-cartridge magazines. US 350362-001/-002 (1 drive/2 drive) includes U.S. power cord, US 350365-001/-002 (1 drive/2 drive) includes U.S. power cord, Int'l -B31/B32 (1 drive/2 drive) CTO power cord for country ordering the unit.

**Note:** The TL895 (96 slot) library unit (2 drive through 7 drive), TL891 library unit (1 & 2 drive) or the TL881 library unit (1 & 2 drive) require country kits (349386-001, 349386-011, 349386-AR1, 349386-021, 349386-031, 349386-111, 349386-061, 349386-081 or 349386-291), SCSI Cable kits (328215-001, 328215-002, 328215-003 or 328215-004) and ProLiant Connectivity Kits (113395-001 or 113396-001). Please refer to the 96 Slot TL895 DLT Library QuickSpecs or the TL891/881 Automated DLT Tape Library Solution QuickSpecs for further details.

### RAID Array 4000

StorageWorks Raid Array 4000 (tower)	241300-001
StorageWorks Raid Array 4100 (rack)	146013-001
StorageWorks Raid Array 4100 (rack) (Int'l)	146013-B31
StorageWorks Raid Array 4100 (rack) (Japan)	146013-291
Fibre Channel Storage Hub 12	295573-001
Fibre Channel Storage Hub 7	234453-001
Compaq Storage Hub 7 Universal Rack Mount Kit	136127-B21
Compaq Storage Hub 12 Management Option	159262-B21
Fibre Channel Storage Hub – 12 Port with 41U/42U Bracket	295573-B22
Fibre Channel Host Adapter Kit/P	223180-B21
Raid Array 4000 Redundant Array Controller	223187-B21
64-Bit/66MHz Fibre Channel Host Adapter	120186-B21
64-Bit/66MHz Fibre Channel Host Adapter (Japan)	120186-291
GBIC-SW Connector Kit (two each)	234459-B21

## Options

### RAID Array 4000 *(continued)*

GBIC-LW Connector Kit (two each)	340412-B21
Fibre Channel Connection Kit, 3 SW GBICS, 2 Cables	380579-B21
Fibre Channel Connection Kit, 2 SW GBICS, 2 Cables	380596-B21
Fibre Channel Short Wave GBIC	380561-B21
Fibre Channel Long Wave GBIC	127508-B21
2m Multi-Mode Fibre Channel Cable	234457-B21
5m Multi-Mode Fibre Channel Cable	234457-B22
15m Multi-Mode Fibre Channel Cable	234457-B23
30m Multi-Mode Fibre Channel Cable	234457-B24
50m Multi-Mode Fibre Channel Cable	234457-B25
Raid Array 4000 Redundant Power Supply	224206-001
Raid Array 4000 Tower to Rack Conversion Kit	297162-B21
Raid Array 4100 Rack to Tower Conversion Kit	154253-B21
Storage Hub 7 Universal Rack Mount Kit	136127-B21
Upgrade Kit for ProLiant Storage System F and F1	296324-B21
Fibre Channel Troubleshooting Kit	234468-B21

### RAID Array 7000

#### Departmental Subsystem

Dual controller configuration	DS-SWXRA-HA
Single controller configuration	DS-SWXRA-HC
Expansion building blocks	DS-SWXRA-HB

#### StorageWorks UltraSCSI Controllers

Redundant UltraSCSI controllers with 64 MB cache (requires DS-HS35X-BC/BD battery)	DS-HSZ70-AH
64 MB expansion cache module (redundant controllers require equal amounts of cache)	DS-HSSIM-AB
Single replacement or additional cache battery	HS35X-BA
Dual replacement or additional cache battery	HS35X-BB

**Note:** Please see the Compaq StorageWorks RAID Array 8000, 7000 ESA 1000 or 12000 QuickSpecs for FC switches, platform software, host adapters, disks and options for complete solutions.

### RAID Array 8000

#### Departmental Pedestal Models

RA8000 FC Single Controller (Opal)	380560-B22
RA8000 FC Dual Controller (Opal)	380550-B22
Expansion Cabinet 24 slot (Opal)	380570-B22

**Note:** Please see the Compaq StorageWorks RAID Array 8000, 7000 ESA 1000 or 12000 QuickSpecs for FC switches, platform software, host adapters, disks and options for complete solutions.

### Enterprise Storage Array 10000

High capacity and general business base unit configuration (60Hz)	DS-SWXES-AA
High capacity and general business base unit configuration (50Hz)	DS-SWXES-AB
High bandwidth base unit configuration (60Hz)	DS-SWXES-BA
High bandwidth base unit configuration (50Hz)	DS-SWXES-BB
Dual expansion configuration (60Hz)	DS-SWXES-CA
Dual expansion configuration (50Hz)	DS-SWXES-CB
Single expansion configuration (60Hz)	DS-SWXES-DA
Single expansion configuration (50Hz)	DS-SWXES-DB

## Options

### Enterprise Storage Array 10000 (continued)

#### Data Center Options

64 MB cache memory upgrade for DS-HSZ70-AH controller (60Hz) DS-HSSIM-AB

#### Redundant power (requires all 3 parts)

180 watt power supply (60Hz) DS-BA35X-HH

AC input box (60Hz) DS-BA35X-HE

Power distribution unit (60Hz) DS-SW6XP-AA

Power distribution unit (50Hz)

**Note:** Please see the Compaq StorageWorks RAID Array 8000, 7000 ESA 1000 or 12000 QuickSpecs for FC switches, platform software, host adapters, disks and options for complete solutions.

### Enterprise Storage Array 12000

#### ESA Building Blocks

High-Capacity/General Business - Dual Controllers 48 slots, 60Hz (Opal) 380600-002

High-Capacity/General Business - Dual Controllers 48 slots, 50Hz (Opal) 380610-B22

High Bandwidth Quad controllers 48 slots, 60Hz (Opal) 380620-002

High Bandwidth Quad controllers  
48 slots, 50Hz (Opal) 380630-B22

Single Expansion Dual controllers 24 slots, 25U extra cabinet space, 60Hz (Opal) 380580-002

Single Expansion Dual controllers 24 slots, 25U extra cabinet space, 50Hz (Opal) 380590-B22

Expansion enclosure 48 slots, 60Hz (Opal) 380640-002

Expansion enclosure 48 slots, 50Hz (Opal) 380650-B22

**Note:** Please see the Compaq StorageWorks RAID Array 8000, 7000 ESA 1000 or 12000 QuickSpecs for FC switches, platform software, host adapters, disks and options for complete solutions.

### StorageWorks Modular Array 8000/Enterprise Modular Array 12000

EMA12000 D14 60Hz 175990-B21

EMA12000 D14 50Hz 175990-B22

EMA12000 S14 60Hz 175991-B21

EMA12000 S14 50Hz 175991-B22

MA8000 60Hz 175992-B21

MA8000 50Hz 175992-B22

EMA12000 Blue 60Hz 175993-B21

EMA12000 Blue 50Hz 175993-B22

**Note:** Options include controller, solution kits, ACS. MA8000/EMA12000 includes controller shelf, drive shelves and cabinet. Packaging upgrade to RA8000/ESA12000.

**Note:** Please see the Compaq StorageWorks MA8000/EMA12000 QuickSpecs for FC Hubs, FC switches, platform software, host adapters, disks and options for complete solutions.

### StorageWorks Options

Fibre Channel Tape Controller – II 152975-001

Fibre Channel Tape Controller – II (Int'l) 152975-B31

Fibre Channel Tape Controller – II (Japan) 152975-291

Fibre Channel Storage Switch 16 380578-B21

Fibre Channel Storage Switch 8 380591-B21

Fibre Channel SAN Switch/8 with Fabric Operating Software 158222-B21

Fibre Channel SAN Switch/16 with Fabric Operating Software 158223-B21

F200 Clustering Kit 380357-B21

## Options

### Uninterruptible Power Systems - Tower

UPS Model T1000 (100-127 volt)	242688-001
UPS Model T1000h (200-240 volt) (Int'l)	242688-002
UPS Model T1500 (100-127 volt)	242688-003
UPS Model T1500h (200-240 Volt) (Int'l)	242688-004
UPS Model T1500j (100-127 Volt) (Japan)	242688-293
UPS Model T2000 (100-127 volt)	242688-005
UPS Model T2000j (100-127 volt) (Japan)	242688-295
UPS Model T2400h-NA (200-240 volt)	242688-006
UPS Model T2400h (200-240 volt) (Int'l)	242688-007
Multi-Server UPS Card	123508-B21
Scalable UPS Card	123509-B21
SNMP-EN Adapter	347225-B21
High to Low Voltage Transformer (250VA)	388643-B21

### Uninterruptible Power Systems - Rack

Rack-Mountable UPS R1500 (100-127 VAC) (NA)	242704-001
Rack-Mountable UPS R1500h (200-230 VAC) (Int'l)	242704-002
Rack-Mountable UPS R1500j (100-127 VAC) (Japan)	242704-291
Rack-Mountable UPS R3000 100-127 VAC) (NA)	242705-001
Rack-Mountable UPS R3000h (208-240 VAC) (Int'l)	242705-002
Rack-Mountable UPS R3000h-NA (208-240 VAC) NDC (non-detached cord)	242705-003
Rack-Mountable UPS R3000j 100-127 VAC) (Japan)	242705-291
Rack-Mountable UPS R6000 (208 VAC default) (NA)	347207-001
Rack-Mountable UPS R6000 (230 VAC default) (Int'l)	347207-B31
Rack-Mountable UPS R6000 (200 VAC default) (Japan)	347207-291
R6000 Extended Runtime Module	347224-B21
SNMP-EN Adapter	347225-B21
High to Low Voltage Transformer (250VA)	388643-B21
Multi-Server UPS Card	123508-B21
Scalable UPS Card	123509-B21

*Please see the Compaq Rack Builder for configuration assistance at [www.compaq.com/products/storageworks/rack\\_accessories/rackbuilderpro2.html](http://www.compaq.com/products/storageworks/rack_accessories/rackbuilderpro2.html) or download it at [www.compaq.com/support/files/server/us/download/6956.html](http://www.compaq.com/support/files/server/us/download/6956.html)*

### Rack Conversion Kit

Compaq ProLiant 5500 Tower to Rack Conversion Kit	306557-B21
---	------------

### Compaq Rack 9000 Series (Opal)

Compaq Rack 9142 (42U) - Pallet	120663-B21
Compaq Rack 9142 (42U) - Shock Pallet	120663-B22
Compaq Rack 9142 (42U) - Crated	120663-B23
Compaq Rack 9136 (36U) - Pallet	120664-B21
Compaq Rack 9136 (36U) - Shock Pallet	120664-B22
Compaq Rack 9136 (36U) - Crated	120664-B23
Compaq Rack 9122 (22U) - Pallet	120665-B21
Compaq Rack 9122 (22U) - Shock Pallet	120665-B22
Compaq Rack 9122 (22U) - Crated	120665-B23

**Note:** -B21 part numbers are for all Geos  
 -B22 part numbers are used to ship configured racks (by custom systems, VARs and Channels)  
 -B23 part numbers are used for air shipments



## Options

### Compaq Rack 7000 Series (Beach Gray)

Compaq Rack 7142 (42U) (NA)	165753-001
Compaq Rack 7142 (42U) (Air Shipment)	165753-002
Compaq Rack 7142 (42U) (Int'l)	165753-003
Compaq Rack 7142 (42U) (Japan)	165753-293
Compaq Rack 7122 (22U) (NA)	163747-001
Compaq Rack 7122 (22U) (Int'l)	163747-002
Compaq Rack 7122 (22U) (Japan)	163747-292

### Compaq Rack 4000 Series (Beach Gray)

Compaq Rack 4136 (36U) (NA)	303656-001
Compaq Rack 4136 (36U) (Air Shipment)	303656-B21
Compaq Rack 4136 (36U) (Int'l)	303656-B31

### Rack Options for Compaq Rack 9000 Series

Baying Kit	120669-B21
9142 Side Panel Kit	120670-B21
9136 Side Panel Kit	120671-B21
Ballast Option Kit	120672-B21
Stabilizer Option Kit	120673-B21
Rack Rail Adapter Kit (25" depth)	120675-B21
Fan (110 VAC) Roof Mount	120677-B21
Fan (220 VAC) Roof Mount	120678-B21
Bustle Kit	120679-B21
Grounding Rack Option Kit	120682-B21

### Rack Options for Compaq Rack 7000 Series

Rack Sidewall Kit (42U only)	165652-001
Rack Coupling Kit (42U only)	165664-001
Stabilizing Feet (42U only)	189907-001
High Air Flow Rack Door Insert for 7122	157847-B21
High Air Flow Rack Door Insert for 7142	327281-B21
High Air Flow Rack Door Insert for 7142 (6 pack)	327281-B22
Compaq Rack Extension Kit for 7142	154392-B21

### Rack Options for Compaq Rack 4000 Series

Compaq Rack Frame 4136 (36U)	303668-001
Compaq Rack Frame 4136 (36U) (Air Shipment)	303668-B21
Compaq Rack Frame 4136 (36U) (Int'l)	303668-B31
Rack Sidewall Kit (36U only)	303658-B21
Rack Coupling Kit (36U only)	303657-B21
Stabilizing Feet (36U only)	303659-B21
Rack Frame 36U Front Door Kit	303669-B21
Rack Frame 36U Back Door Kit	303670-B21

### Rack Options for Compaq Rack 4000, 7000 and 9000 Series

Sliding Shelf Kit	332564-B21
Monitor Utility Shelf	303606-B21
Rack Blanking Panel Kit (US) (Beach Gray)	169940-001
Rack Blanking Panel Kit (US) (Opal)	169940-B21
Compaq Networking Cable Management Kit	292407-B21



## Options

### Rack Options for Compaq Rack 4000, 7000 and 9000 Series (continued)

Compaq Networking Recessed Rail Management Kit	292406-B21
High Capacity Cable Management Arm Kit	124711-B21
Compaq Power Distribution Unit – Low Voltage PDU (NA)	295363-001
Compaq Power Distribution Unit – Low Voltage PDU (Japan)	295363-291
Compaq Power Distribution Unit – High Voltage PDU (NA)	295363-002
Compaq Power Distribution Unit – High Voltage PDUh-WW (Int'l)	295363-B21
Compaq Power Distribution Unit – High Voltage PDUh-NDC (non-detached cord) (Int'l)	295363-B32
Compaq Power Distribution Unit, 30A (NA only)	295363-003
Server Console Switch 1 x 2 port (100-230 VAC)	120206-001
Server Console Switch 1 x 2 port (100-230 VAC) (Int'l)	120206-B31
Server Console Switch 1 x 2 port (100-230 VAC) (Japan)	120206-291
Server Console Switch 1 x 4 port (100-230 VAC)	400336-001
Server Console Switch 1 x 4 port (100-230 VAC) (Int'l)	400336-B31
Server Console Switch 1 x 4 port (100-230 VAC) (Japan)	400336-291
Server Console Switch 1 x 8 port (100-230 VAC)	400337-001
Server Console Switch 1 x 8 port (100-230 VAC) (Int'l)	400337-B31
Server Console Switch 1 x 8 port (100-230 VAC) (Japan)	400337-291
Server Console Switch 2 x 8 port (100-230 VAC)	400338-001
Server Console Switch 2 x 8 port (100-230 VAC) (Int'l)	400338-B31
Server Console Switch 2 x 8 port (100-230 VAC) (Japan)	400338-291
Server Console Switch 2 x 8 port (48VDC)	400542-B21
CPU to Server Console Cable, 12'	110936-B21
CPU to Server Console Cable, 20'	110936-B22
CPU to Server Console Cable, 40'	110936-B23
CPU to Server Console Cable (Plenum Rated) 20'	149363-B21
CPU to Server Console Cable (Plenum Rated) 40'	149364-B21
Switch Box Connector Kit (115V)	144007-001
Switch Box Connector Kit (230V)	144007-002
Switch Box Connector Kit (high voltage) (Int'l)	144007-B33
Rack Internal Trackball Keyboard (Opal) (UK)	185152-036
Rack Internal Trackball Keyboard (Opal) (Germany)	185152-046
Rack Internal Trackball Keyboard (Opal) (France)	185152-056
Rack Internal Trackball Keyboard (Opal) (Italy)	185152-066
Rack Internal Trackball Keyboard (Opal) (Spain)	185152-076
Rack Internal Trackball Keyboard (Opal) (Denmark)	185152-086
Rack Internal Trackball Keyboard (Opal) (Norway)	185152-096
Rack Internal Trackball Keyboard (Opal) (Sweden/Finland)	185152-106
Rack Internal Trackball Keyboard (Opal) (Switzerland)	185152-116
Rack Internal Trackball Keyboard (Opal) (Portugal)	185152-136
Rack Internal Trackball Keyboard (Opal) (Belgium)	185152-186
Rack Internal Trackball Keyboard (Opal) (Japan)	185152-296
Rack Internal Trackball Keyboard (Opal) (US)	185152-406
Rack Internal Trackball Keyboard (Opal) (Int'l)	185152-B36
1U Rack Keyboard Drawer	338056-B21
Keyboard/Monitor/Mouse extension cables	169989-001

## Options

### Rack Options for Third Party Cabinet Racks

Depth Adjustable Fixed Rails	332558-B21
------------------------------	------------

### Other

Internal Ultra3 Cable Option Kit, NHP	166389-B21
Internal Ultra3 Cable Option Kit, HP	166390-B21

### Service Upgrades (CarePacs)

#### Hardware Services 4-Hour On-site Service

4-Hour On-site Service, 9-Hour x 5-Day Coverage, 3 Years (2-5-2 Part Number for US)	FM-MI4HR-36
4-Hour On-site Service, 9-Hour x 5-Day Coverage, 3 Years (2-5-2 Part Number for Canada)	FP-MI4HR-36
4-Hour On-site Service, 9-Hour x 5-Day Coverage, 3 Years (6-3 Part Number for US)	401783-002
4-Hour On-site Service, 9-Hour x 5-Day Coverage, 3 Years (6-3 Part Number for Canada)	401783-122
4-Hour On-site Service, 9-Hour x 5-Day Coverage, 3 Years (6-3 Part Number for EMEA)	324418-002
4-Hour On-site Service, 24-Hour x 7-Day Coverage, 3 Years (2-5-2 Part Number for US)	FM-MI724-36
4-Hour On-site Service, 24-Hour x 7-Day Coverage, 3 Years (2-5-2 Part Number for Canada)	FP-MI724-36
4-Hour On-site Service, 24-Hour x 7-Day Coverage, 3 Years (6-3 Part Number for US)	401782-002
4-Hour On-site Service, 24-Hour x 7-Day Coverage, 3 Years (6-3 Part Number for Canada)	401782-122
4-Hour On-site Service, 24-Hour x 7-Day Coverage, 3 Years (6-3 Part Number for EMEA)	376911-022

#### Installation & Start-up Services

Hardware Installation (2-5-2 Part Number for US)	FM-MIINS-IN
Hardware Installation (2-5-2 Part Number for Canada)	FP-MIINS-IN
Hardware Installation (6-3 Part Number for US)	401793-002
Hardware Installation (6-3 Part Number for Canada)	401793-122
Hardware Installation (6-3 Part Number for EMEA)	Quote
O/S & Hardware Installation (2-5-2 Part Number for US) (Hardware installation plus two days O/S start-up activity (install, configure, network access & orientation).)	FP-CXHSI-03
O/S & Hardware Installation (6-3 Part Number for US) (Hardware installation plus two days O/S start-up activity (install, configure, network access & orientation).)	160557-002
O/S & Hardware Installation (6-3 Part Number for EMEA) (Hardware installation plus two days O/S start-up activity (install, configure, network access & orientation).)	Quote

#### Business Solutions Priority Service Plan – Priority Level

5 x 9 4-hour H/W, 5 x 9 2-hour O/S (NT & NetWare), Three Years (2-5-2 Part Number for US)	FP-CX103-36
5 x 9 4-hour H/W, 5 x 9 2-hour O/S (NT & NetWare), Three Years (2-5-2 Part Number for Canada)	FP-CZ103-36
5 x 9 4-hour H/W, 5 x 9 2-hour O/S (NT & NetWare), Three Years (6-3 Part Number for US)	155325-002
5 x 9 4-hour H/W, 5 x 9 2-hour O/S (NT & NetWare), Three Years (6-3 Part Number for Canada)	155325-122
5 x 9 4-hour H/W, 5 x 9 2-hour O/S (NT & NetWare), Three Years (6-3 Part Number for EMEA)	118311-022

#### Business Solutions Priority Service Plan – Priority 24 Level

7 x 24 4-hour H/W, 7 x 24 2-hour O/S (NT & NetWare), Three years (2-5-2 Part Number for US)	FP-CX203-36
7 x 24 4-hour H/W, 7 x 24 2-hour O/S (NT & NetWare), Three years (6-3 Part Number for US)	155329-002
7 x 24 4-hour H/W, 7 x 24 2-hour O/S (NT & NetWare), Three years (6-3 Part Number for EMEA)	118317-022

## Options

### Service Upgrades (CarePacs) (continued)

#### **Business Solutions Priority Service Plan – Priority Plus Level**

7 x 24 4-hour H/W, 7 x 24 1-hour O/S (NT & NetWare), SPS account review, Three Years (2-5-2 Part Number for US)	FP-CX303-36
7 x 24 4-hour H/W, 7 x 24 1-hour O/S (NT & NetWare), SPS account review, Three Years (2-5-2 Part Number for Canada)	FP-CZ303-36
7 x 24 4-hour H/W, 7 x 24 1-hour O/S (NT & NetWare), SPS account review, Three Years (6-3 Part Number for US)	155333-002
7 x 24 4-hour H/W, 7 x 24 1-hour O/S (NT & NetWare), SPS account review, Three Years (6-3 Part Number for Canada)	155333-122

#### **Business Solutions Priority Service Plan – Priority Premier Level**

7 x 24 2-hour H/W, 7 x 24 1-hour O/S (NT & NetWare), SPS Account Review, Proactive Management Review, named S/w rep, Three Years (2-5-2 Part Number for US)	FP-CX503-36
7 x 24 2-hour H/W, 7 x 24 1-hour O/S (NT & NetWare), SPS Account Review, Proactive Management Review, named S/w rep, Three Years (2-5-2 Part Number for Canada)	FP-CZ503-36
7 x 24 2-hour H/W, 7 x 24 1-hour O/S (NT & NetWare), SPS Account Review, Proactive Management Review, named S/w rep, Three Years (6-3 Part Number for US)	155337-002
7 x 24 2-hour H/W, 7 x 24 1-hour O/S (NT & NetWare), SPS Account Review, Proactive Management Review, named S/w rep, Three Years (6-3 Part Number for Canada)	155337-122

#### **Business Solutions Priority Service Plan – Priority Executive Premier Level**

7 x 24 2-hour H/W, 7 x 24 30-minute O/S (NT & NetWare), SPS Account Review, Proactive Management Review, named S/w rep, Three Years (2-5-2 Part Number for US)	FP-CX703-36
7 x 24 2-hour H/W, 7 x 24 30-minute O/S (NT & NetWare), SPS Account Review, Proactive Management Review, named S/w rep, Three Years (2-5-2 Part Number for Canada)	FP-CZ703-36
7 x 24 2-hour H/W, 7 x 24 30-minute O/S (NT & NetWare), SPS Account Review, Proactive Management Review, named S/w rep, Three Years (6-3 Part Number for US)	155341-002
7 x 24 2-hour H/W, 7 x 24 30-minute O/S (NT & NetWare), SPS Account Review, Proactive Management Review, named S/w rep, Three Years (6-3 Part Number for Canada)	155341-122

**Note:** For more information, customer/resellers can contact [www.Compaq.com/services](http://www.Compaq.com/services).

## Memory

### Compaq ProLiant 5500 6/400 Model 1 512K (128-MB)

#### STANDARD MEMORY

128 MB buffered EDO DIMM memory (4 x 32-MB DIMMs)

Standard	Slot							
	1	2	3	4	5	6	7	8
128 MB	32 MB	32 MB	32 MB	32 MB	Empty	Empty	Empty	Empty
	9	10	11	12	13	14	15	16
	Empty	Empty	Empty	Empty	Empty	Empty	Empty	Empty

#### STANDARD MEMORY PLUS OPTIONAL MEMORY

Up to 3200 MB of buffered EDO DIMM memory is available with the installation of optional buffered EDO DIMM memory expansion kits.

Up To	Slot							
	1	2	3	4	5	6	7	8
3200 MB	32 MB	32 MB	32 MB	32 MB	256 MB	256 MB	256 MB	256 MB
	9	10	11	12	13	14	15	16
	256 MB	256 MB	256 MB	256 MB	256 MB	256 MB	256 MB	256 MB

#### STANDARD MEMORY REPLACED WITH OPTIONAL MEMORY

Up to 4096 MB of buffered EDO DIMM memory is available with the removal of standard memory and the installation of optional buffered EDO DIMM memory expansion kits.

Up To	Slot							
	1	2	3	4	5	6	7	8
4096 MB	256 MB	256 MB	256 MB	256 MB	256 MB	256 MB	256 MB	256 MB
	9	10	11	12	13	14	15	16
	256 MB	256 MB	256 MB	256 MB	256 MB	256 MB	256 MB	256 MB

**Note:** Memory must be added in banks of four DIMMs. Charts do not represent all possible memory configurations.

Mixing of 50ns and 60ns memory is permitted; however, each bank of 4 DIMMs must contain the same size and speed DIMMs. Performance will default to the slower of the two speeds (that is, 60ns).

#### 50ns EDO

- 1024-MB Memory Expansion Kit (4 x 256-MB buffered EDO DIMMs, 50ns) 328583-B21
- 512-MB Memory Expansion Kit (4 x 128-MB buffered EDO DIMMs, 50ns) 328582-B21
- 256-MB Memory Expansion Kit (4 x 64-MB buffered EDO DIMMs, 50ns) 328581-B21

# QUICKSPECS

Compaq ProLiant 5500  
Pentium II Xeon Models

## Memory

Compaq ProLiant 5500  
6/400 Model 1 1M (256)  
6/450 Model 1 512K (256) & 6/450 Model 1 1M (256)

### STANDARD MEMORY

256 MB buffered EDO DIMM memory (4 x 64-MB DIMMs)

Standard	Slot							
	1	2	3	4	5	6	7	8
256 MB	64 MB	64 MB	64 MB	64 MB	Empty	Empty	Empty	Empty
	9	10	11	12	13	14	15	16
	Empty	Empty	Empty	Empty	Empty	Empty	Empty	Empty

### STANDARD MEMORY PLUS

#### OPTIONAL MEMORY

Up to 3328 MB of buffered EDO DIMM memory is available with the installation of optional buffered EDO DIMM memory expansion kits.

Up To	Slot							
	1	2	3	4	5	6	7	8
3328 MB	64 MB	64 MB	64 MB	64 MB	256 MB	256 MB	256 MB	256 MB
	9	10	11	12	13	14	15	16
	256 MB	256 MB	256 MB	256 MB	256 MB	256 MB	256 MB	256 MB

### STANDARD MEMORY REPLACED

#### WITH OPTIONAL MEMORY

Up to 4096 MB of buffered EDO DIMM memory is available with the removal of standard memory and the installation of optional buffered EDO DIMM memory expansion kits.

Up To	Slot							
	1	2	3	4	5	6	7	8
4096 MB	256 MB	256 MB	256 MB	256 MB	256 MB	256 MB	256 MB	256 MB
	9	10	11	12	13	14	15	16
	256 MB	256 MB	256 MB	256 MB	256 MB	256 MB	256 MB	256 MB

**Note:** Memory must be added in banks of four DIMMs. Charts do not represent all possible memory configurations.

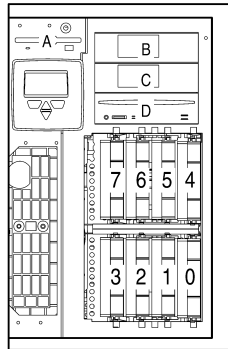
Mixing of 50ns and 60ns memory is permitted; however, each bank of 4 DIMMs must contain the same size and speed DIMMs. Performance will default to the slower of the two speeds (that is, 60ns).

#### 50ns EDO

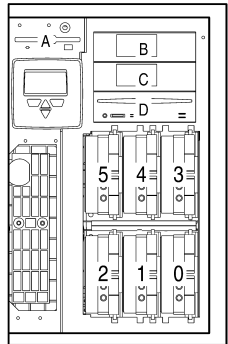
- 1024-MB Memory Expansion Kit (4 x 256-MB buffered EDO DIMMs, 50ns) 328583-B21
- 512-MB Memory Expansion Kit (4 x 128-MB buffered EDO DIMMs, 50ns) 328582-B21
- 256-MB Memory Expansion Kit (4 x 64-MB buffered EDO DIMMs, 50ns) 328581-B21

## Storage

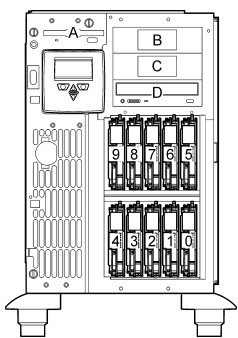
### TOWER DRIVE SUPPORT



1-inch Wide-Ultra SCSI-3 Drive Locations (standard drive cage)



1.6-inch Wide-Ultra SCSI-3 Drive Locations (standard drive cage)



1-inch Ultra2 Drive Locations (optional drive cage)

	Quantity Supported	Position Supported	Controller
<b>Removable Media</b>			
1.44-MB Diskette Drive	Up to 1	A	Integrated
IDE CD-ROM Drive	Up to 2	B,C,D	Integrated IDE
DVD-ROM Drive	Up to 2	B,C,D	Integrated IDE
<b>Hard Drives</b>			
<i>Wide Ultra3 Hot Pluggable Drives</i> (supported with optional drive cage 382157-B21)			
<b>1-inch</b>	Up to 10	0-9	Integrated Dual Channel Wide-Ultra SCSI-3 Adapter
18.2-GB 10,000 rpm			Smart Array 221 Controller
9.1-GB 10,000 rpm			Smart Array 431 Controller
			Smart Array 3200 Controller
			Smart Array 4200 Controller
			64-bit Dual Channel Wide Ultra2 SCSI Adapter
			64-bit/66Mhz Dual Channel Wide Ultra3 SCSI Adapter
			64-bit/66Mhz Single Channel Wide Ultra3 SCSI Adapter
			Wide-Ultra SCSI-3 Adapter
<i>Wide Ultra2 Hot Pluggable Drives</i> (supported with optional drive cage 382157-B21)			
<b>1-inch</b>	Up to 10	0-9	Integrated Dual Channel Wide-Ultra SCSI-3 Adapter
18.2-GB 10,000 rpm			Smart Array 221 Controller
18.2-GB			Smart Array 431 Controller
9.1-GB 10,000 rpm			Smart Array 3200 Controller
9.1-GB			Smart Array 4200 Controller
			64-bit Dual Channel Wide Ultra2 SCSI Adapter
			64-bit/66Mhz Dual Channel Wide Ultra3 SCSI Adapter
			64-bit/66Mhz Single Channel Wide Ultra3 SCSI Adapter
			Wide-Ultra SCSI-3 Adapter
<i>Wide Ultra2 SCSI – Non-Hot Plug</i>			
<b>1-inch</b>	Up to 3	B,C,D	Integrated Dual Channel Wide-Ultra SCSI-3 Adapter
18.2-GB 10,000 rpm			Smart Array 221 Controller
9.1-GB 10,000 rpm			Smart Array 431 Controller
			Smart Array 3200 Controller
			Smart Array 4200 Controller
			64-bit Dual Channel Wide Ultra2 SCSI Adapter
			64-bit/66Mhz Dual Channel Wide Ultra3 SCSI Adapter
			64-bit/66Mhz Single Channel Wide Ultra3 SCSI Adapter
			Wide-Ultra SCSI-3 Adapter
<i>Wide Ultra2 SCSI – Non-Hot Plug</i>			
<b>1-inch</b>	Up to 3	B,C,D	Integrated Dual Channel Wide-Ultra SCSI-3 Adapter
18.2-GB			Smart Array 221 Controller
9.1-GB			Smart Array 431 Controller
			Smart Array 3200 Controller
			Smart Array 4200 Controller
			64-bit Dual Channel Wide Ultra2 SCSI Adapter
			64-bit/66Mhz Dual Channel Wide Ultra3 SCSI Adapter
			64-bit/66Mhz Single Channel Wide Ultra3 SCSI Adapter
			Wide-Ultra SCSI-3 Adapter
<i>Wide-Ultra SCSI-3 – Hot Plug</i>			
<b>1-inch</b>	Up to 8	0-7	Integrated Dual Channel Wide-Ultra SCSI-3 Adapter
18.2-GB 10,000 rpm	(duplex option)	0-6	Smart Array 221 Controller
18.2-GB			Smart Array 431 Controller
9.1-GB 10,000 rpm	Up to 7		Smart Array 3200 Controller
9.1-GB	(simplex)		Smart Array 4200 Controller
			Dual Channel Wide Ultra2 SCSI Adapter
			64-bit/66Mhz Dual Channel Wide Ultra3 SCSI Adapter
			64-bit/66Mhz Single Channel Wide Ultra3 SCSI Adapter
			Wide-Ultra SCSI-3 Adapter
<b>1.6-inch</b>	Up to 6	0-5	
36.4-GB 10,000 rpm			
36.4-GB			

## Storage

### TOWER DRIVE SUPPORT *(continued)*

#### External Storage

StorageWorks Enclosure 4200 Family (supports Wide Ultra2/Ultra3 drives)	Up to 12	External	Smart Array 221 Controller Smart Array 431 Controller Smart Array 3200 Controller Smart Array 4200 Controller 64-Bit Dual channel Wide Ultra2 SCSI Adapter 64-bit/66Mhz Dual Channel Wide Ultra3 SCSI Adapter 64-bit/66Mhz Single Channel Wide Ultra3 SCSI Adapter
ProLiant Storage System Models UE ProLiant Storage System Models U2 (supports Wide-Ultra SCSI-3 drives)	Up to 12	External	Integrated Dual Channel Wide-Ultra SCSI-3 Adapter Smart Array 221 Controller Smart Array 3200 Controller Smart Array 4200 Controller 64-Bit Dual Channel Wide Ultra2 SCSI Adapter Wide-Ultra SCSI-3 Adapter
SCSI Storage Expander II	Up to 3	External	Integrated Dual Channel Wide-Ultra SCSI-3 Adapter Smart Array 3200 Controller 64-Bit Dual Channel Wide Ultra2 SCSI Adapter Wide-Ultra SCSI-3 Adapter
TL895 (96 Slot) DLT Library (2 – 7 Drive)	2 drives per SCSI channel	External	Compaq Dual Channel Wide-Ultra SCSI-3 Adapter
TL891 DLT Library (1 – 2 Drive)		Compaq Wide-Ultra SCSI Adapter	
TL881 DLT Library (1 – 2 Drive)			
StorageWorks Raid Array 4000 or 4100 Kit	Up to 12	External	Fibre Channel Host Adapter

#### Maximum Storage Capacity – (SCSI Attached)

Internal:	218.4 GB (6 x 36.4-GB 1.6" hard drives)
External:	3.49 TB (12 ProLiant Storage Systems, each with 8 x 36.4-GB hard drives)
Total:	3.71 TB

#### Maximum Storage Capacity – (External RAID Array 4000 Attached)

Internal:	218.4 GB (6 x 36.4-GB 1.6" hard drives)
External:	20.96 TB (6 PCI slots x 12 Fibre Channel Arrays, each with 8 x 36.4-GB hard drives)
Total:	21.18 TB

#### Maximum Storage Capacity – (External StorageWorks Enclosure Attached)

Internal:	218.4 GB (6 x 36.4GB 1.6" hard drives)
External:	18.345 TB (6 PCI slots x 12 StorageWorks Enclosures, each with 14 x 18.2-GB hard drives)
Total:	18.264 TB

## Storage

### TOWER DRIVE SUPPORT *(continued)*

	Quantity Supported	Position Supported	Controller
<b>Tape Drives</b>			
Internal 4/8-GB DAT	Up to 2	B,C	Wide-Ultra SCSI-3 Adapter
Internal 12/24-GB DAT			64-bit/66Mhz Dual Channel Wide Ultra3 SCSI Adapter
Internal 20/40-GB DAT DDS-4			64-bit/66Mhz Single Channel Wide Ultra3 SCSI Adapter
20/40-GB DAT DDS-4 8 Cassette Autoloader			64-bit/66Mhz Single Channel Wide Ultra3 SCSI Adapter
12/24-GB DAT DDS-3 8 Cassette Autoloader			
AIT 50-GB Tape Drive	1	B,C	Integrated Dual Channel Wide-Ultra SCSI-3 Adapter
AIT 35-GB Tape Drive			Wide-Ultra SCSI-3 Adapter
			64-bit/66Mhz Dual Channel Wide Ultra3 SCSI Adapter
			64-bit/66Mhz Single Channel Wide Ultra3 SCSI Adapter
			Adapter
Internal 20/40-GB DLT	1	B + C (two bays)	Integrated Dual Channel Wide-Ultra SCSI-3 Adapter
Internal 35/70-GB DLT			Wide-Ultra SCSI-3 Adapter
			64-bit/66Mhz Dual Channel Wide Ultra3 SCSI Adapter
			64-bit/66Mhz Single Channel Wide Ultra3 SCSI Adapter
			Adapter
DLT Tape Array II Model 35/70	1 to 4	External	Integrated Dual Channel Wide-Ultra SCSI-3 Adapter
			Wide-Ultra SCSI-3 Adapter
20/40-GB DLT	Up to 3	External	Integrated Dual Channel Wide-Ultra SCSI-3 Adapter
35/70-GB DLT			Wide-Ultra SCSI-3 Adapter
			64-bit/66Mhz Dual Channel Wide Ultra3 SCSI Adapter
			64-bit/66Mhz Single Channel Wide Ultra3 SCSI Adapter
			Adapter
DLT 15 Cartridge Library Model 20/40-1	1 Library per SCSI channel		Integrated Dual Channel Wide-Ultra SCSI-3 Adapter
DLT 15 Cartridge Library Model 20/40-2			Wide-Ultra SCSI-3 Adapter
DLT 15 Cartridge Library Model 35/70-1			
DLT 15 Cartridge Library Model 35/70-2			
TL895 (96 Slot) DLT Library (2 – 7 Drive)	2 drives per SCSI channel	External	Compaq Dual Channel Wide-Ultra SCSI-3 Adapter
TL891 DLT Library (1 – 2 Drive)			Compaq Wide-Ultra SCSI Adapter
TL881 DLT Library (1 – 2 Drive)			

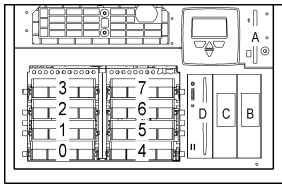


# QUICKSPECS

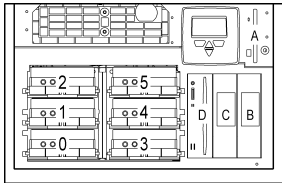
Compaq ProLiant 5500  
Pentium II Xeon Models

## Storage

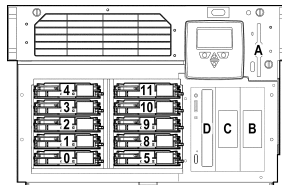
### RACK DRIVE SUPPORT



1-inch Wide-Ultra SCSI-3  
Drive Locations  
(standard drive cage)



1.6-inch Wide-Ultra SCSI-3  
Drive Locations  
(standard drive cage)



1-inch Wide Ultra2 Drive  
Locations (optional drive cage)

	Quantity Supported	Position Supported	Controller
<b>Removable Media</b>			
1.44-MB Diskette Drive	Up to 1	A	Integrated
IDE CD-ROM Drive	Up to 2	B,C,D	Integrated IDE
DVD-ROM Drive	Up to 2	B,C,D	Integrated IDE
<b>Hard Drives</b>			
<i>Wide Ultra3 Hot Pluggable Drives (supported with optional drive cage 382157-B21)</i>			
<b>1-inch</b>	Up to 10	0-9	Integrated Dual Channel Wide-Ultra SCSI-3 Adapter
18.2-GB 10,000 rpm			Smart Array 221 Controller
9.1-GB 10,000 rpm			Smart Array 431 Controller
			Smart Array 3200 Controller
			Smart Array 4200 Controller
			64-bit Dual Channel Wide Ultra2 SCSI Adapter
			64-bit/66Mhz Dual Channel Wide Ultra3 SCSI Adapter
			64-bit/66Mhz Single Channel Wide Ultra3 SCSI Adapter
			Wide-Ultra SCSI-3 Adapter
<i>Wide Ultra2 Hot Pluggable Drives (supported with optional drive cage 382157-B21)</i>			
<b>1-inch</b>	Up to 10	0-9	Integrated Dual Channel Wide-Ultra SCSI-3 Adapter
18.2-GB 10,000 rpm			Smart Array 221 Controller
18.2-GB			Smart Array 431 Controller
9.1-GB 10,000 rpm			Smart Array 3200 Controller
9.1-GB			Smart Array 4200 Controller
			64-bit Dual Channel Wide Ultra2 SCSI Adapter
			64-bit/66MHz Dual Channel Wide Ultra3 SCSI Adapter
			64-bit/66Mhz Single Channel Wide Ultra3 SCSI Adapter
			Wide-Ultra SCSI-3 Adapter
<i>Wide Ultra3 SCSI – Non-Hot Plug</i>			
<b>1-inch</b>	Up to 3	B,C,D	Integrated Dual Channel Wide-Ultra SCSI-3 Adapter
18.2-GB 10,000 rpm			Smart Array 221 Controller
9.1-GB 10,000 rpm			Smart Array 3200 Controller
			Smart Array 4200 Controller
			64-bit Dual Channel Wide Ultra2 SCSI Adapter
			64-bit/66MHz Dual Channel Wide Ultra3 SCSI Adapter
			64-bit/66Mhz Single Channel Wide Ultra3 SCSI Adapter
			Wide-Ultra SCSI-3 Adapter
<i>Wide Ultra2 SCSI – Non-Hot Plug</i>			
<b>1-inch</b>	Up to 3	B,C,D	Integrated Dual Channel Wide-Ultra SCSI-3 Adapter
18.2-GB			Smart Array 221 Controller
9.1-GB			Smart Array 3200 Controller
			Smart Array 4200 Controller
			64-bit Dual Channel Wide Ultra2 SCSI Adapter
			64-bit/66MHz Dual Channel Wide Ultra3 SCSI Adapter
			64-bit/66Mhz Single Channel Wide Ultra3 SCSI Adapter
			Wide-Ultra SCSI-3 Adapter
<i>Wide-Ultra SCSI-3 – Hot Plug</i>			
<b>1-inch</b>	Up to 8	0-7	Integrated Dual Channel Wide-Ultra SCSI-3 Adapter
18.2-GB 10,000 rpm	(duplex option)	0-6	Smart Array 221 Controller
18.2-GB	Up to 7		Smart Array 431 Controller
9.1-GB 10,000 rpm	(simplex)		Smart Array 3200 Controller
9.1-GB			Smart Array 4200 Controller
<b>1.6-inch</b>	Up to 6	0-5	Dual Channel Wide Ultra2 SCSI Adapter
36.4-GB 10,000 rpm			64-bit/66MHz Dual Channel Wide Ultra3 SCSI Adapter
36.4-GB			64-bit/66Mhz Single Channel Wide Ultra3 SCSI Adapter
			Wide-Ultra SCSI-3 Adapter

## Storage

### RACK DRIVE SUPPORT *(continued)*

	Quantity Supported	Position Supported	Controller
<b>External Storage</b>			
StorageWorks Enclosure 4200 Family (supports Wide Ultra2/Ultra3 drives)	Up to 12	External	Smart Array 221 Controller Smart Array 431 Controller Smart Array 3200 Controller Smart Array 4200 Controller 64-bit Dual Channel Wide Ultra2 SCSI Adapter
ProLiant Storage System Models UE ProLiant Storage System Models U2 (supports Wide-Ultra SCSI-3 drives)	Up to 12	External	Integrated Dual Channel Wide-Ultra Adapter Smart Array 431 Controller Smart Array 3200 Controller Smart Array 4200 Controller 64-bit Dual Channel Wide Ultra2 SCSI Adapter Wide-Ultra SCSI-3 Adapter
SCSI Storage Expander II	Up to 3	External	Integrated Dual Channel Wide-Ultra SCSI-3 Adapter Smart Array 3200 Controller 64-bit Dual Channel Wide Ultra2 SCSI Adapter Wide-Ultra SCSI-3 Adapter
StorageWorks Raid Array 4000 or 4100 Kit	Up to 12	External	Fibre Channel Host Adapter
<b>Maximum Storage Capacity – (SCSI Attached)</b>			
Internal:	218.4 GB (6 x 36.4-GB 1.6" hard drives)		
External:	3.49 TB (12 ProLiant Storage Systems, each with 8 x 36.4-GB hard drives)		
Total:	3.71 TB		
<b>Maximum Storage Capacity – (External RAID Array 4000 Attached)</b>			
Internal:	218.4 GB (6 x 36.4-GB 1.6" hard drives)		
External:	20.96 TB (6 PCI slots x 12 Fibre Channel Arrays, each with 8 x 36.4-GB hard drives)		
Total:	21.18 TB		
<b>Maximum Storage Capacity – (External StorageWorks Enclosure Attached)</b>			
Internal:	218.4 GB (6 x 36.4-GB 1.6" hard drives)		
External:	18.345 TB (6 PCI slots x 12 StorageWorks Enclosures, each with 14 x 18.2-GB hard drives)		
Total:	18.564 TB		
	Quantity Supported	Position Supported	Controller
<b>Tape Drives</b>			
Internal 12/24-GB DAT Internal 4/8-GB DAT Internal 20/40-GB DAT DDS-4 20/40-GB DAT DDS-4 8 Cassette Autoloader 12/24-GB DAT DDS-3 8 Cassette Autoloader	Up to 2	B,C	Wide-Ultra SCSI-3 Adapter 64-bit/66MHz Dual Channel Wide Ultra3 SCSI Adapter 64-bit/66Mhz Single Channel Wide Ultra3 SCSI Adapter
AIT 50-GB Tape Drive AIT 35-GB Tape Drive	1	B,C	Integrated Dual Channel Wide-Ultra SCSI-3 Adapter Wide-Ultra SCSI-3 Adapter 64-bit/66MHz Dual Channel Wide Ultra3 SCSI Adapter 64-bit/66Mhz Single Channel Wide Ultra3 SCSI Adapter
Internal 35/70-GB DLT Internal 20/40-GB DLT	1	B + C (two bays)	Integrated Dual Channel Wide-Ultra SCSI-3 Adapter Wide-Ultra SCSI-3 Adapter 64-bit/66MHz Dual Channel Wide Ultra3 SCSI Adapter 64-bit/66Mhz Single Channel Wide Ultra3 SCSI Adapter
DLT Tape Array II Model 35/70	1 to 4	External	Integrated Dual Channel Wide-Ultra SCSI-3 Adapter Wide-Ultra SCSI-3 Adapter
35/70-GB DLT 20/40-GB DLT	Up to 3	External	Integrated Dual Channel Wide-Ultra SCSI-3 Adapter Wide-Ultra SCSI-3 Adapter 64-bit/66MHz Dual Channel Wide Ultra3 SCSI Adapter 64-bit/66Mhz Single Channel Wide Ultra3 SCSI Adapter
DLT 15 Cartridge Library Model 35/70-1 DLT 15 Cartridge Library Model 35/70-2 DLT 15 Cartridge Library Model 20/40-1 DLT 15 Cartridge Library Model 20/40-2	1 Library per SCSI channel		Integrated Dual Channel Wide-Ultra SCSI-3 Adapter Wide-Ultra SCSI-3 Adapter
TL895 (96 Slot) DLT Library (2 – 7 Drive) TL891 DLT Library (1 – 2 Drive) TL881 DLT Library (1 – 2 Drive)	2 drives per SCSI channel	External	Compaq Dual Channel Wide-Ultra SCSI-3 Adapter Compaq Wide-Ultra SCSI Adapter

## Storage

### SUPPORTED TAPE DRIVE OPTIONS

Tape Drive	Operating System	Key
Internal 4/8-GB DAT Drive	Novell NetWare SCO UNIX Microsoft Windows NT	AS, JS, SE Native (Tar & CPIO) AS, NT, SE
Internal 12/24-GB DAT Drive	Novell NetWare SCO UNIX Microsoft Windows NT	AS, JS, SE Native (Tar & CPIO) AS, NT, SE
Internal 20/40-GB DAT DDS-4 Drive	Novell NetWare Microsoft Windows NT	AS, JS, SE AS, NT, SE
AIT 50-GB Tape Drive	Novell NetWare SCO UNIX Microsoft Windows NT	AS, JS, SE Native (Tar & CPIO) AS, NT, SE
AIT 35-GB Tape Drive	Novell NetWare SCO UNIX Microsoft Windows NT	AS, JS, SE Native (Tar & CPIO) AS, NT, SE
20/40-GB DAT DDS-4 8 Cassette Autoloader	Novell NetWare Microsoft Windows NT	AS, JS, SE AS, NT, SE
12/24-GB DAT DDS-3 8 Cassette Autoloader	Novell NetWare Microsoft Windows NT	AS, JS, SE AS, NT, SE
35/70-GB DLT Drive	Novell NetWare SCO UNIX OS/2 Warp and LAN Server Microsoft Windows NT	AS, JS, LG, SE AO, UX ST AS, NT, SE, LG
20/40-GB DLT Drive	Novell NetWare SCO UNIX OS/2 Warp and LAN Server Microsoft Windows NT	AS, JS, LG, SE AO, UX NV AS, NT, SE
DLT Tape Array II Model 35/70	Novell NetWare SCO UNIX Microsoft Windows NT	LG UX LG
DLT 15 Cartridge Library Model 35/70-1	Novell NetWare SCO UNIX Microsoft Windows NT	AS, JS, SE AO, UX AS, NT, SE
DLT 15 Cartridge Library Model 35/70-2	Novell NetWare SCO UNIX Microsoft Windows NT	AS, JS, SE AO, UX AS, NT, SE
DLT 15 Cartridge Library Model 20/40-1	Novell NetWare SCO UNIX Microsoft Windows NT	AS, JS, SE AO, UX AS, NT, SE
DLT 15 Cartridge Library Model 20/40-2	Novell NetWare SCO UNIX Microsoft Windows NT	AS, JS, SE AO, UX AS, NT, SE

## Storage

### SUPPORTED TAPE DRIVE OPTIONS *(continued)*

Tape Drive	Operating System	Key
TL895 (96 Slot) DLT Library (2 - 7 Drive)	Novell NetWare Microsoft Windows NT 4.0	AS, SE AS, NT, SE
TL891 DLT Library (1 - 2 Drive)	Novell NetWare Microsoft Windows NT 4.0	AS, SE AS, NT, SE
TL881 DLT Library (1 - 2 Drive)	Novell NetWare Microsoft Windows NT 4.0	AS, SE AS, NT, SE

#### Keys to Chart

AS	Computer Associates ARCserve	VN	Banyan VINES support for Compaq tape drives included in operating system
JS	Computer Associates JETserve	UX	Device drivers for Compaq tape drives available from SCO in the SCO Compaq Supplement
AO	Computer Associates ARCserve Open	NT	Microsoft Windows NT support for Compaq tape drives included in operating system
LG	Legato Networker Software from Legato	NV	Novastor Novaback for OS/2
ST	Sytos Plus software		
SE	Seagate Software Backup Exec		

# QUICK SPECS

Compaq ProLiant 5500  
Pentium II Xeon Models

## Technical Specifications

### System Unit - Tower

<b>Dimensions (HxWxD)</b>	23.38 x 15.12 x 25 in/59.4 x 38.4 x 63.5 cm	
<b>Weight</b>	88.2 lbs/40 kg	
No hard drives installed, one power supply		
<b>Input Requirements (per power supply)</b>		
Rated Input Voltage	100 to 120 VAC/200 to 240 VAC	
Rated Input Frequency	50 to 60 Hz	
Input Power	780W @ 110 VAC/1100W @ 220 VAC	
Rated Input Current	8A	
<b>BTU Rating</b>	2,623 BTU/h @ 500W, 3934 BTU/h @ 750W	
<b>SCSI Connectors</b>	Wide-Ultra SCSI-3 Models Three External connectors (2 available) – 1 VHDCI (from array controller) and 1 HD68 (from embedded controller)	
<b>Power Supply Output Power (per power supply)</b>		
Rated Steady-State Power	500W/750W (lowline/highline)	
Maximum Peak Power	540W/780W (lowline/highline)	
<b>Temperature Range</b>		
Operating	50° to 95°F/10° to 35°C	
Non-operating	–20° to 140°F/–30° to 60°C	
Shipping	–22° to 122°F/–30° to 60°C	
<b>Relative Humidity (non-condensing)</b>		
Operating	20% to 80%	
Non-operating	5% to 90%	
<b>Maximum Wet Bulb Temperature</b>	101.7°F/38.7°C	
<b>Acoustic Noise</b>	<b>NPTEL (BELS)</b>	<b>AVERAGE SPL (dBA)</b>
Idle (Fixed Disk Drives Spinning)	6	43
Operating (Random Seeks to Fixed Disks)	6.1	44

### System Unit - Rack

<b>Dimensions (HxWxD)</b>	12 x 19 x 24.5 in/30.5 x 48.3 x 62.2 cm	
<b>Weight</b>	90 lbs/40.9 kg	
No hard drives installed, one power supply		
<b>Input Requirements (per power supply)</b>		
Rated Input Voltage	100 to 120 VAC/200 to 240 VAC	
Rated Input Frequency	50 to 60 Hz	
Input Power	780W @ 110 VAC/1100W @ 220 VAC	
Rated Input Current	8A	
<b>BTU Rating</b>	2,623 BTU/h @ 500W, 3934 BTU/h @ 750W	
<b>SCSI Connectors</b>	Wide Ultra2 Models One External HD68 SCSI connector (from embedded controller) Wide-Ultra SCSI-3 Models Three External connectors (2 available) – 1 VHDCI (from array controller) and 1 HD68 (from embedded controller)	
<b>Power Supply Output Power (per power supply)</b>		
Rated Steady-State Power	500W/750W (lowline/highline)	
Maximum Peak Power	540W/780W (lowline/highline)	
<b>Temperature Range</b>		
Operating	50° to 95°F/10° to 35°C	
Non-operating	–20° to 140°F/–29° to 60°C	
Shipping	–22° to 122°F/–30° to 50°C	

# QUICK SPECS

Compaq ProLiant 5500  
Pentium II Xeon Models

## Technical Specifications

### System Unit – Rack (continued)

<b>Relative Humidity</b> (non-condensing)		
Operating	20% to 80%	
Non-operating	5% to 90%	
<b>Maximum Wet Bulb Temperature</b>	101.7°F/38.7°C	
<b>Acoustic Noise</b>	NPEL (BELS)	AVERAGE SPL (dBA)
Idle (Fixed Disk Drives Spinning)	6	43
Operating (Random Seeks to Fixed Disks)	6.1	44

---

### 1.44-MB Diskette Drive

<b>Diskette Size</b>	3.5 in
<b>LED Indicators</b> (front panel)	Green
<b>Read/Write Capacity per Diskette</b> (high/low density)	1.44 MB/720 KB
<b>Drive Supported</b>	One
<b>Drive Height</b>	One-third
<b>Drive Rotation</b>	300 rpm
<b>Transfer Rate</b> (high/low)	500/250 Kb/s
<b>Bytes/Sector</b>	512
<b>Sectors/Track</b> (high/low)	18/9
<b>Tracks/Side</b> (high/low)	80/80
<b>Access Times</b>	
Track-to-Track (high/low)	3/6 ms
Average (high/low)	169/94 ms
Settling Time	15 ms
Latency Average	100 ms
<b>Cylinders</b> (high/low)	80/80
<b>Read/Write Heads</b>	Two

---

# QUICK SPECS

Compaq ProLiant 5500  
Pentium II Xeon Models

## Technical Specifications

Hot Plug  
Wide Ultra3 SCSI  
Hard Drives

18.2 GB 10K	<b>Capacity</b>	18209.3 MB	<b>Seek Time</b> (typical reads, including settling)	
	<b>Height</b>	1 in/25.4 mm	Single Track	0.8 ms
	<b>Width</b>	3.5 in/88.9 mm	Average	5.2 ms
	<b>Interface</b>	Wide Ultra3 SCSI	Full-Stroke	12 ms
	<b>Transfer Rate</b>		Rotational Speed	10,000 rpm
	Synchronous (Maximum)	160 MB/s	<b>Physical Configuration</b>	
			Bytes/Sector	512
		Logical Blocks	35,565,080	
		<b>Operating Temperature</b> 50° to 95°F/10° to 35°C		

9.1 GB 10K	<b>Capacity</b>	9100.0 MB	<b>Seek Time</b> (typical reads, including settling)	
	<b>Height</b>	1 in/25.4 mm	Single Track	0.8 ms
	<b>Width</b>	3.5 in/88.9 mm	Average	5.0 ms
	<b>Interface</b>	Wide Ultra3 SCSI	Full-Stroke	12 ms
	<b>Transfer Rate</b>		Rotational Speed	10,000 rpm
	Synchronous (Maximum)	160 MB/s	<b>Physical Configuration</b>	
			Bytes/Sector	512
		Logical Blocks	17,773,524	
		<b>Operating Temperature</b> 50° to 95°F/10° to 35°C		

Non-Hot Plug  
Wide Ultra3 SCSI  
Hard Drives

18.2 GB 10K	<b>Capacity</b>	18209.3 MB	<b>Seek Time</b> (typical reads, including settling)	
	<b>Height</b>	1 in/25.4 mm	Single Track	0.8 ms
	<b>Width</b>	3.5 in/88.9 mm	Average	5.5 ms
	<b>Interface</b>	Wide Ultra3 SCSI	Full-Stroke	12 ms
	<b>Transfer Rate</b>		Rotational Speed	10,000 rpm
	Synchronous (Maximum)	160 MB/s	<b>Physical Configuration</b>	
			Bytes/Sector	512
		Logical Blocks	35,565,080	
		<b>Operating Temperature</b> 50° to 95°F/10° to 35°C		

9.1 GB 10K	<b>Capacity</b>	9100.0 MB	<b>Seek Time</b> (typical reads, including settling)	
	<b>Height</b>	1 in/25.4 mm	Single Track	0.8 ms
	<b>Width</b>	3.5 in/88.9 mm	Average	5.0 ms
	<b>Interface</b>	Wide Ultra3 SCSI	Full-Stroke	12 ms
	<b>Transfer Rate</b>		Rotational Speed	10,000 rpm
	Synchronous (Maximum)	160 MB/s	<b>Physical Configuration</b>	
			Bytes/Sector	512
		Logical Blocks	17,773,524	
		<b>Operating Temperature</b> 50° to 95°F/10° to 35°C		

# QUICK SPECS

Compaq ProLiant 5500  
Pentium II Xeon Models

## Technical Specifications

Hot Plug  
Wide Ultra2 SCSI  
Hard Drives

<b>18.2 GB</b>	<b>Capacity</b>	18209.3 MB	<b>Seek Time</b> (typical reads, including settling)	
	<b>Height</b>	1 in/25.4 mm	Single Track	0.8 ms
	<b>Width</b>	3.5 in/88.9 mm	Average	6.9 ms
	<b>Interface</b>	Wide Ultra2 SCSI	Full-Stroke	15.0 ms
	<b>Transfer Rate</b>		Rotational Speed	7200 rpm
	Synchronous (Maximum)	80 MB/s	<b>Physical Configuration</b>	
			Bytes/Sector	512
			Logical Blocks	35,566,080
			<b>Operating Temperature</b> 50° to 95°F/10° to 35°C	
	<b>18.2 GB 10K</b>	<b>Capacity</b>	18209.3 MB	<b>Seek Time</b> (typical reads, including settling)
<b>Height</b>		1 in/25.4 mm	Single Track	0.8 ms
<b>Width</b>		3.5 in/88.9 mm	Average	5.7 ms
<b>Interface</b>		Wide Ultra2 SCSI	Full-Stroke	12.2 ms
<b>Transfer Rate</b>			Rotational Speed	10,000 rpm
Synchronous (Maximum)		80 MB/s	<b>Physical Configuration</b>	
			Bytes/Sector	512
			Logical Blocks	35,565,080
			<b>Operating Temperature</b> 50° to 95°F/10° to 35°C	
<b>9.1 GB 10K</b>		<b>Capacity</b>	9100.0 MB	<b>Seek Time</b> (typical reads, including settling)
	<b>Height</b>	1 in/25.4 mm	Single Track	0.8 ms
	<b>Width</b>	3.5 in/88.9 mm	Average	5.4 ms
	<b>Interface</b>	Wide Ultra2 SCSI	Full-Stroke	12.2 ms
	<b>Transfer Rate</b>		Rotational Speed	10,000 rpm
	Synchronous (Maximum)	80 MB/s	<b>Physical Configuration</b>	
			Bytes/Sector	512
			Logical Blocks	17,773,524
			<b>Operating Temperature</b> 50° to 95°F/10° to 35°C	
	<b>9.1 GB</b>	<b>Capacity</b>	9100.0 MB	<b>Seek Time</b> (typical reads, including settling)
<b>Height</b>		1 in/25.4 mm	Single Track	0.8 ms
<b>Width</b>		3.5 in/88.9 mm	Average	7.9 ms
<b>Interface</b>		Wide Ultra2 SCSI	Full-Stroke	17.0 ms
<b>Transfer Rate</b>			Rotational Speed	7200 rpm
Synchronous (Maximum)		80 MB/s	<b>Physical Configuration</b>	
			Bytes/Sector	512
			Logical Blocks	17,773,524
			<b>Operating Temperature</b> 50° to 95°F/10° to 35°C	



# QUICK SPECS

Compaq ProLiant 5500  
Pentium II Xeon Models

## Technical Specifications

Non-Hot Plug  
Wide Ultra2 SCSI  
Hard Drives

<b>18.2 GB</b>	<b>Capacity</b>	18209.3 MB	<b>Seek Time</b> (typical reads, including settling)		
	<b>Height</b>	1 in/25.4 mm	Single Track	0.8 ms	
	<b>Width</b>	3.5 in/88.9 mm	Average	6.9 ms	
	<b>Interface</b>	Wide Ultra2 SCSI	Full-Stroke	15.0 ms	
	<b>Transfer Rate</b>		Rotational Speed	7200 rpm	
		Synchronous (Maximum)	80 MB/s	<b>Physical Configuration</b>	
				Bytes/Sector	512
				Logical Blocks	35,565,080
				<b>Operating Temperature</b> 50° to 95°F/10° to 35°C	

<b>9.1 GB</b>	<b>Capacity</b>	9100.0 MB	<b>Seek Time</b> (typical reads, including settling)		
	<b>Height</b>	1 in/25.4 mm	Single Track	1.9 ms	
	<b>Width</b>	3.5 in/88.9 mm	Average	7.5 ms	
	<b>Interface</b>	Wide Ultra2 SCSI	Full-Stroke	15.0 ms	
	<b>Transfer Rate</b>		Rotational Speed	7200 rpm	
		Synchronous (Maximum)	80 MB/s	<b>Physical Configuration</b>	
				Bytes/Sector	512
				Logical Blocks	17,773,524
				<b>Operating Temperature</b> 50° to 95°F/10° to 35°C	

Hot Plug  
Wide-Ultra SCSI-3  
Hard Drives

<b>36.4 GB 10K</b>	<b>Capacity</b>	36419.5 MB	<b>Seek Time</b> (typical reads, including settling)		
	<b>Height</b>	1.6 in/40.6 mm	Single Track	0.8 ms	
	<b>Width</b>	3.5 in/88.9 mm	Average	5.7 ms	
	<b>Interface</b>	Wide-Ultra SCSI-3	Full-Stroke	12.2 ms	
	<b>Transfer Rate</b>		Rotational Speed	10,000 rpm	
		Synchronous (Maximum)	40 MB/s	<b>Physical Configuration</b>	
				Bytes/Sector	512
				Logical Blocks	35,565,080
				<b>Operating Temperature</b> 50° to 95°F/10° to 35°C	

<b>36.4 GB</b>	<b>Capacity</b>	36419.5 MB	<b>Seek Time</b> (typical reads, including settling)		
	<b>Height</b>	1.6 in/40.6 mm	Single Track	0.8 ms	
	<b>Width</b>	3.5 in/88.9 mm	Average	7.4 ms	
	<b>Interface</b>	Wide-Ultra SCSI-3	Full-Stroke	17.0 ms	
	<b>Transfer Rate</b>		Rotational Speed	10,000 rpm	
		Synchronous (Maximum)	40 MB/s	<b>Physical Configuration</b>	
				Bytes/Sector	512
				Logical Blocks	71,132,000
				<b>Operating Temperature</b> 50° to 95°F/10° to 35°C	

# QUICK SPECS

Compaq ProLiant 5500  
Pentium II Xeon Models

## Technical Specifications

Hot Plug  
Wide-Ultra SCSI-3  
Hard Drives (continued)

18.2 GB 10K	<b>Capacity</b>	18209.8 MB	<b>Seek Time</b> (typical reads, including settling)	
	<b>Height</b>	1 in/25.4 mm	Single Track	0.8 ms
	<b>Width</b>	3.5 in/88.9 mm	Average	5.7 ms
	<b>Interface</b>	Wide-Ultra SCSI-3	Full-Stroke	12.2 ms
	<b>Transfer Rate</b>		Rotational Speed	10,000 rpm
	Synchronous (Maximum)	40 MB/s	<b>Physical Configuration</b>	
			Bytes/Sector	512
			Logical Blocks	35,565,080
			<b>Operating Temperature</b> 50° to 95°F/10° to 35°C	
	18.2 GB	<b>Capacity</b>	18209.8 MB	<b>Seek Time</b> (typical reads, including settling)
<b>Height</b>		1 in/25.4 mm	Single Track	0.8 ms
<b>Width</b>		3.5 in/88.9 mm	Average	6.9 ms
<b>Interface</b>		Wide-Ultra SCSI-3	Full-Stroke	16.0 ms
<b>Transfer Rate</b>			Rotational Speed	7200 rpm
Synchronous (Maximum)		40 MB/s	<b>Physical Configuration</b>	
			Bytes/Sector	512
			Logical Blocks	35,566,000
			<b>Operating Temperature</b> 50° to 95°F/10° to 35°C	
9.1 GB 10K		<b>Capacity</b>	9100.0 MB	<b>Seek Time</b> (typical reads, including settling)
	<b>Height</b>	1 in/25.4 mm	Single Track	0.8 ms
	<b>Width</b>	3.5 in/88.9 mm	Average	5.4 ms
	<b>Interface</b>	Wide-Ultra SCSI-3	Full-Stroke	12.2 ms
	<b>Transfer Rate</b>		Rotational Speed	10,000 rpm
	Synchronous (Maximum)	40 MB/s	<b>Physical Configuration</b>	
			Bytes/Sector	512
			Logical Blocks	17,773,500
			<b>Operating Temperature</b> 50° to 95°F/10° to 35°C	
	9.1 GB	<b>Capacity</b>	9100.0 MB	<b>Seek Time</b> (typical reads, including settling)
<b>Height</b>		1 in/25.4 mm	Single Track	0.8 ms
<b>Width</b>		3.5 in/88.9 mm	Average	7.9 ms
<b>Interface</b>		Wide-Ultra SCSI-3	Full-Stroke	17.0 ms
<b>Transfer Rate</b>			Rotational Speed	7200 rpm
Synchronous (Maximum)		40 MB/s	<b>Physical Configuration</b>	
			Bytes/Sector	512
			Logical Blocks	17,773,500
			<b>Operating Temperature</b> 50° to 95°F/10° to 35°C	

## Technical Specifications

### 32X Max CD-ROM Drive IDE

#### Disk

Applicable Disk	CD-ROM (Mode 1 and 2) CD-DA, CD-XA (Mode 2, Form 1 and 2) Photo CD (Single and Multi-session) Mixed Mode (Audio and Data combined)
Capacity	550 MB (Mode 1, 12 cm) 640 MB (Mode 2, 12 cm)
Diameter	4.7 in, 3.15 in/12 cm, 8 cm
Rotational Speed	4200 rpm maximum
Center Hole	0.6 in/15 mm diameter
Thickness	1.2 mm
Track Pitch	1.6 $\mu$ m

#### Block Size

Mode 1	2,048 bytes
Mode 2	2,340, 2,336, 1,024 bytes
CD-DA	2,352 bytes
CD-XA	2,328 bytes

#### Interface

IDE (ATAPI)

#### Access Times (typical)

Random	100 ms
Full-Stroke	200 ms

#### Audio Output Level

Line-Out	0.7 VRMS at 47 kOhms
Headphone	0.6 VRMS at 32 Ohms (maximum volume)

#### Data Transfer Rate

Sustained	150 KB/s (single)
Burst	1200 to 4800 KB/s

#### Cache Buffer

128 KB

#### Start-up Time (typical)

< 7 seconds

#### Stop Time

< 4 seconds

#### Laser Parameters

Type	Semiconductor Laser GaAlAs
Wave Length	780 $\pm$ 25 nm
Divergence Angle	53.5 $^{\circ}$ $\pm$ 1.5 $^{\circ}$
Output Power	0.14mW

#### Operating Conditions

Temperature	41 $^{\circ}$ to 113 $^{\circ}$ F/5 $^{\circ}$ to 45 $^{\circ}$ C
Humidity	10% to 80%

#### Dimensions

(HxWxD, maximum) 1.88 x 5.85 x 8.11 in/4.29 x 15 x 20.8 cm

#### Weight

2.09 lbs/0.95 kg

## Technical Specifications

### Smart Array 221 Controller

<b>Drives Supported</b>	Up to 14 drives
<b>Data Transfer Method</b>	32-bit PCI bus-master
<b>Maximum Transfer Rate per PCI Bus (peak)</b>	133 MB/s
<b>Simultaneous Drive Transfer Channels</b>	One
<b>Total Transfer Rate</b>	80 MB/s per channel
<b>Software Upgradable Firmware</b>	Yes
<b>Cache</b>	6-MB of ECC protected read cache
<b>Reliability Features</b>	
Distributed Data Guarding (RAID 5)	Yes
Drive Mirroring (RAID 1)	Yes
Drive Striping (RAID 0, 0 + 1)	Yes
Automatic Data Recovery	Yes

### Smart Array 431 Controller

<b>Protocol</b>	Wide Ultra3 SCSI
<b>SCSI Electrical Interface</b>	Low Voltage Differential (LVD)
<b>Drives Supported</b>	Up to 14 Drives Wide Ultra3 or Wide Ultra2 SCSI hard drives
<b>SCSI Port Connectors</b>	Single External/Internal SCSI port
<b>Data Transfer Method</b>	64-bit PCI bus-master
<b>Maximum Transfer Rate on System Bus (peak)</b>	266 MB/s
<b>Simultaneous Drive Transfer Channels</b>	One
<b>Channel Transfer Rate</b>	160 MB/s per channel
<b>Software Upgradable Firmware</b>	Yes
<b>Read-Only Cache</b>	16-MB Cache Performance Engine
<b>Logical Drives Supported</b>	32
<b>Reliability Features</b>	
Distributed Data Guarding (RAID 5)	Yes
Drive Mirroring (RAID 1)	Yes
Drive Striping (RAID 0, 0+1)	Yes
Automatic Data Recovery	Yes
<b>Disk Drive Protocol Support</b>	Wide Ultra3 and Wide Ultra2 SCSI
<b>Enclosure Support</b>	New StorageWorks Enclosure 4200 Family (Models 4214R and 4214T)

## Technical Specifications

### Smart Array 3200 Controller

<b>Drives Supported</b>	Up to 15 drives per channel, 30 drives maximum
<b>Data Transfer Method</b>	32-bit PCI bus-master
<b>Maximum Transfer Rate per PCI Bus (peak)</b>	133 MB/s
<b>Simultaneous Drive Transfer Channels</b>	Two
<b>Total Transfer Rate</b>	160 MB/s (80 MB/s per channel)
<b>Software Upgradable Firmware</b>	Yes
<b>Cache</b>	64-MB Array Accelerator
<b>Reliability Features</b>	
Distributed Data Guarding (RAID 5)	Yes
Data Guarding (RAID 4)	Yes
Drive Mirroring (RAID 1)	Yes
Drive Striping (RAID 0)	Yes
Controller Duplexing	Yes
Automatic Data Recovery	Yes

### Smart Array 4200 Controller

<b>Protocol</b>	Wide Ultra2 SCSI
<b>SCSI Electrical Interface</b>	Low Voltage Differential
<b>Drives Supported (maximum)</b>	56 drives
<b>Data Transfer Method</b>	64-bit PCI bus-master
<b>Maximum Transfer Rate on PCI Bus (peak)</b>	
<b>Simultaneous Drive Transfer Channels</b>	Four
<b>Total Channel Transfer Rate</b>	320 MB/s
<b>Software Upgradable Firmware</b>	Yes
<b>Cache</b>	64 MB battery backed and removable
<b>Logical Drives Supported</b>	32
<b>Reliability Features</b>	
Cache Battery Backup	Yes
Online Capacity Expansion	Yes
Logical Drive Capacity Extension	Yes
Online RAID Level Migration	Yes
Online Stripe Size Migration	Yes
Automatic Data Recovery	Yes
Distributed Data Guarding (RAID 5)	Yes
Data Guarding (RAID 4)	Yes
Drive Mirroring (RAID 1)	Yes
Drive Striping (RAID 0, 0 + 1)	Yes

# QUICK SPECS

Compaq ProLiant 5500  
Pentium II Xeon Models

## Technical Specifications

### 64-Bit / 66-MHz Single Channel Wide Ultra3 SCSI Adapter

Drives Supported	Up to 14 SCSI devices
Storage Capacity	254.8 GB
Data Transfer Method	64-bit / 66-MHz PCI bus-master
Maximum SCSI Channel Transfer Rate	160 MB/s per channel
Maximum Transfer Rate per PCI Bus (peak)	532 MB/s per channel
SCSI Protocols	Wide Ultra3 SCSI Wide Ultra2 SCSI Wide-Ultra SCSI-3 Fast-Wide SCSI-2 Fast SCSI-2
Electrical Protocol	Low Voltage Differential (LVD)
SCSI Termination	Active Termination
External SCSI Connectors	One 68-Pin Wide Ultra SCSI-3 connector
Internal SCSI Connectors	Two 68-Pin Wide Ultra SCSI-3 connectors (one LVD and one SE) One 50-Pin Narrow Ultra connector

### 64-Bit / 66-MHz Dual Channel Wide Ultra3 SCSI Adapter

Drives Supported	Up to 28 SCSI devices (14 per channel)
Storage Capacity	1.019 TB
Data Transfer Method	64-bit / 66-MHz PCI bus-master
Maximum SCSI Channel Transfer Rate	160 MB/s per channel
Maximum Transfer Rate per PCI Bus (peak)	532 MB/s per channel
SCSI Protocols	Wide Ultra3 SCSI Wide Ultra2 SCSI Wide-Ultra SCSI-3 Fast SCSI-2
Electrical Protocol	Low Voltage Differential (LVD)
SCSI Termination	Active Termination
External SCSI Connectors	Two 68-Pin VHDCI connectors
Internal SCSI Connectors	Two 68-Pin Wide Ultra SCSI-3 connectors One 50-Pin Narrow Ultra connector

### Integrated Dual Channel Wide-Ultra SCSI-3 Adapter

Drives Supported	Up to seven SCSI devices per channel
Data Transfer Method	32-bit PCI bus-master
SCSI Channel Transfer Rate	40 MB/s per channel
Maximum Transfer Rate per PCI Bus (peak)	133 MB/s
SCSI Termination	Active Termination
SCSI Connectors	1 external, (68-pin) 2 internal, (68-pin)

# QUICK SPECS

Compaq ProLiant 5500  
Pentium II Xeon Models

## Technical Specifications

### 64-Bit Dual Channel Wide-Ultra2 SCSI Adapter (in a slot)

<b>Drives Supported</b>	Up to 15 SCSI devices per channel
<b>Data Transfer Method</b>	64-bit PCI bus-master
<b>SCSI Channel Transfer Rate</b>	80 MB/s per channel
<b>Maximum Transfer Rate per PCI Bus (peak)</b>	133 MB/s
<b>SCSI Termination</b>	Active Termination
<b>SCSI Connectors</b>	2 external, (80-pin) 2 internal, (68-pin)

### Compaq NC3120 10/100 TX PCI UTP Controller

<b>Network Interface</b>	10Base-T/100Base-TX
<b>Compatibility</b>	IEEE 802.3/802.3u compliant
<b>Data Transfer Method</b>	32-bit bus-master PCI
<b>Network Transfer Rate</b>	
10Base-T (Half-Duplex), 10Base-2	10 Mb/s
10Base-T (Full-Duplex)	20 Mb/s
100Base-TX (Half-Duplex), 100VG-AnyLAN	100 Mb/s
100Base-TX (Full-Duplex)	200 Mb/s
<b>Connector</b>	RJ-45
<b>Cable Support</b>	
10Base-T	Categories 3, 4 or 5 UTP (2 or 4 pair); up to 328 feet (100 meters)
100Base-TX	Category 5 UTP (2 pair); up to 328 feet (100 meters)

### Compaq 10/100 TX Intel PCI UTP Controller

<b>Network Interface</b>	10Base-T/100Base-TX
<b>Compatibility</b>	IEEE 802.3/802.3u compliant
<b>Data Transfer Method</b>	32-bit bus-master PCI
<b>Network Transfer Rate</b>	
10Base-T (Half-Duplex), 10Base-2	10 Mb/s
10Base-T (Full-Duplex)	20 Mb/s
100Base-TX (Half-Duplex), 100VG-AnyLAN	100 Mb/s
100Base-TX (Full-Duplex)	200 Mb/s
<b>Connector</b>	RJ-45
<b>Cable Support</b>	
10Base-T	Categories 3, 4 or 5 UTP (2 or 4 pair); up to 328 feet (100 meters)
100Base-TX	Category 5 UTP (2 pair); up to 328 feet (100 meters)

# QUICKSPECS

Compaq ProLiant 5500  
Pentium II Xeon Models

## Technical Specifications

### Compaq Rack 9142 (42U) (optional)

Dimensions	Total Cabinet	Shipping	Color
Height	78.7 in/2,000 mm	83.38 in/2,168.65 mm	
Depth	35.8 in/909 mm	48 in/1219.2 mm	Opal
Width	23.7 in/603 mm	32 in/812.8 mm	
Weight	253 lbs/114.84 kg	325 lbs/147.52 kg	

### Compaq Rack 9136 (36U) (optional)

Dimensions	Total Cabinet	Shipping	Color
Height	68.6 in/1,742 mm	75.25 in/1,911.35 mm	
Depth	35.8 in/909 mm	48 in/1219.2 mm	Opal
Width	23.7 in/603 mm	32 in/812.8 mm	
Weight	165 lbs/75 kg	234 lbs/106 kg	

### Compaq Rack 9122 (22U) (optional)

Dimensions	Total Cabinet	Shipping	Color
Height	43 in/1,092 mm	52.25 in/1,327.15 mm	
Depth	35.8 in/909 mm	48 in/1219.2 mm	Opal
Width	24 in/610 mm	32 in/812.8 mm	
Weight	176 lbs/79.89 kg	225 lbs/102.13 kg	

### Compaq Rack 7142 (42U) (optional)

Dimensions	Total Cabinet	Usable Area	Shipping
Height	85 in/215.9 cm	73.5 in/186.69 cm	90.75 in/230.5 cm
Depth	33.25 in/84.45 cm	29.21 in/74.19 cm	48 in/121.92 cm
Width	23.25 in/59.05 cm	19 in/48.26 cm	32 in/81.28 cm
Weight	253 lbs/114.84 kg	—	325 lbs/147.52 kg

### Compaq Rack 4136 (36U) (optional)

Dimensions	Total Cabinet	Usable Area	Shipping
Height	67.97 in/172.5 cm	63.05 in/160.02 cm	85.25 in/203.84 cm
Depth	33.25 in/84.45 cm	29.21 in/74.19 cm	48 in/121.92 cm
Width	23.25 in/59.05 cm	19 in/48.26 cm	32 in/81.28 cm
Weight	165 lbs/75 kg	—	234 lbs/106 kg

### Compaq Rack 7122 (22U) (optional)

Dimensions	Total Cabinet	Usable Area	Shipping
Height	49.5 in/125.7 cm	38.5 in/97.79 cm	56.63 in/143.84 cm
Depth	33.25 in/84.45 cm	29.21 in/74.19 cm	48 in/121.92 cm
Width	23.25 in/59.05 cm	19 in/48.26 cm	32 in/81.28 cm
Weight	176 lbs/79.89 kg	—	225 lbs/102.13 kg



## Technical Specifications

### OS Driver Support

Operating Systems	Current Drivers	Driver Location (Punch-out diskettes only.)
Microsoft Windows NT Server 3.51	NTSSD 1.38a	SmartStart CD and <a href="http://www.compaq.com">www.compaq.com</a>
Microsoft Windows NT Server 4.0	NTSSD 2.17a	SmartStart CD and <a href="http://www.compaq.com">www.compaq.com</a>
Microsoft Windows 2000 Server	Support Software Bundle for Windows 2000 5.02a	SmartStart CD and <a href="http://www.compaq.com">www.compaq.com</a>
Novell NetWare 3.2	NSSD 5.50a	SmartStart CD and <a href="http://www.compaq.com">www.compaq.com</a>
Novell NetWare 4.2	NSSD 5.50a	SmartStart CD and <a href="http://www.compaq.com">www.compaq.com</a>
Novell NetWare 4.2 SMP	NSSD 5.50a	SmartStart CD and <a href="http://www.compaq.com">www.compaq.com</a>
Novell NetWare 5	NSSD 5.50a	SmartStart CD and <a href="http://www.compaq.com">www.compaq.com</a>
SCO OpenServer 5.0.4, 5.0.5	EFS 5.34	SmartStart CD and <a href="http://www.compaq.com">www.compaq.com</a>
SCO OpenServer 5.0.4, 5.0.5 SMP	EFS 5.34	SmartStart CD and <a href="http://www.compaq.com">www.compaq.com</a>
SCO UnixWare 2.1.2, 2.1.3	EFS 2.34	SmartStart CD and <a href="http://www.compaq.com">www.compaq.com</a>
SCO UnixWare 2.1.2, 2.1.3SMP	EFS 2.34	SmartStart CD and <a href="http://www.compaq.com">www.compaq.com</a>
SCO UnixWare 7.0.1	EFS 7.34	SmartStart CD and <a href="http://www.compaq.com">www.compaq.com</a>
SCO UnixWare 7.0.1 SMP	EFS 7.34	SmartStart CD and <a href="http://www.compaq.com">www.compaq.com</a>
SCO UnixWare 7.1	EFS 7.34	SmartStart CD and <a href="http://www.compaq.com">www.compaq.com</a>
SCO UnixWare 7.1 SMP	EFS 7.34	SmartStart CD and <a href="http://www.compaq.com">www.compaq.com</a>
IBM OS/2 Warp Server 4 (Entry)	OS2SSD 4.40A NICSSD 1.55A	SmartStart CD and <a href="http://www.compaq.com">www.compaq.com</a>
IBM OS/2 Warp Server 4 (Advanced)	OS2SSD 4.40A NICSSD 1.55A	SmartStart CD and <a href="http://www.compaq.com">www.compaq.com</a>
IBM OS/2 Warp Server 4 (Advanced) SMP	OS2SSD 4.40A NICSSD 1.55A	SmartStart CD and <a href="http://www.compaq.com">www.compaq.com</a>
IBM OS/2 Warp Server 4 for e-business	OS2SSD 4.40A NICSSD 1.55A	SmartStart CD and <a href="http://www.compaq.com">www.compaq.com</a>
Sun Solaris 8 Intel Platform Edition (Only supported in the ProLiant 5500 Pentium III Models shipped with the Wide- Ultra SCSI-3 Drive Cage.)	Solaris Driver Update 1.10	<a href="http://www.compaq.com">www.compaq.com</a>
Sun Solaris 7 Intel Platform Edition (Only supported in the ProLiant 5500 Pentium III Models shipped with the Wide- Ultra SCSI-3 Drive Cage.)	Solaris Driver Update 1.10	<a href="http://www.compaq.com">www.compaq.com</a>
Sun Solaris 2.6 Intel Platform Edition (Only supported in the ProLiant 5500 Pentium III Models shipped with the Wide- Ultra SCSI-3 Drive Cage.)	Solaris Driver Update 1.10	<a href="http://www.compaq.com">www.compaq.com</a>
<p><b>(Note:</b>Not all storage controllers are supported under Solaris 2.6, 7, and 8. Please refer to the Supported Devices list on the Solaris Driver Update download page.</p> <p>Please see customer advisories for addition information on Solaris 8 installation.)</p>		