

### Overview

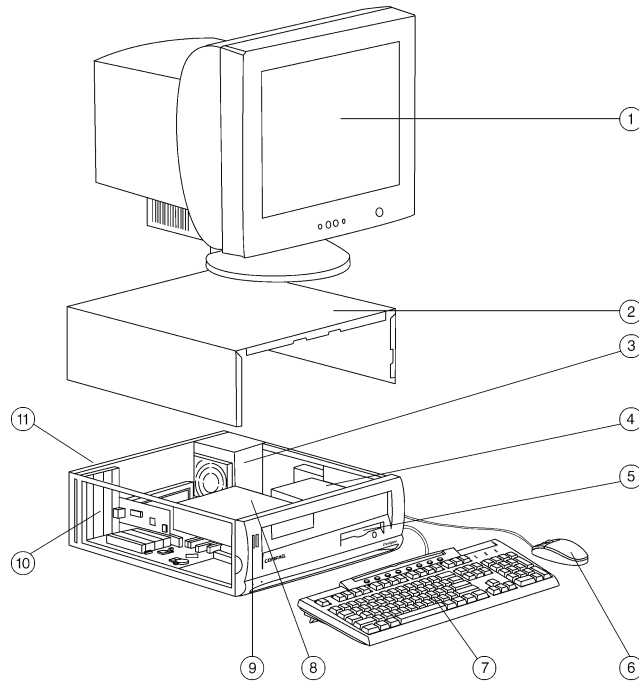
#### What's New

- New Chassis Designs
  - Desktop
  - Minitower
  - Microtower
- PC133 Memory
- Enhanced Graphics
- Easy Access Keyboard
- Scroll Mouse
- Windows 2000 Support
- Suspend to RAM support

#### At A Glance

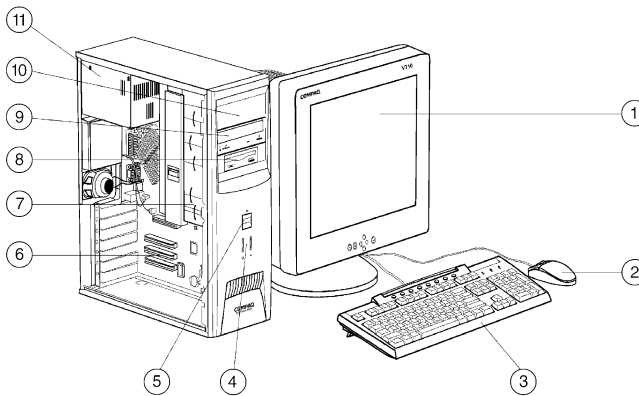
- Intel® 815 chipset available on:
    - Desktop
    - Minitower
  - Intel 810E chipset available on:
    - Microtower
  - Intel Pentium® III processors
  - Intel Celeron™ processors
  - 66- or 133-MHz Front Side Bus
  - Service-friendly design
  - Energy Star compliant with energy-saving features
- Desktop*
- Minitower
- Desktop & Minitower
    - Windows 98 SE
    - Windows 2000/Windows NT 4.0
  - Microtower
    - Windows 98 SE
- Desktop and Minitower are protected by Compaq Services, including a three-year (3-1-1), limited warranty. Terms and conditions vary by country. Certain restrictions and exclusions apply. Latin American countries are protected by Compaq Services, including a one-year (1-1-1), limited warranty.
- Microtower is covered by a one year (1-1-1), limited warranty

Note: On the Desktop EX Series, the SMART capable drive will run a POST (power on self-test) only. This self-diagnostic test will be run at every system boot up, and will provide customers with a warning of drive failure problems.



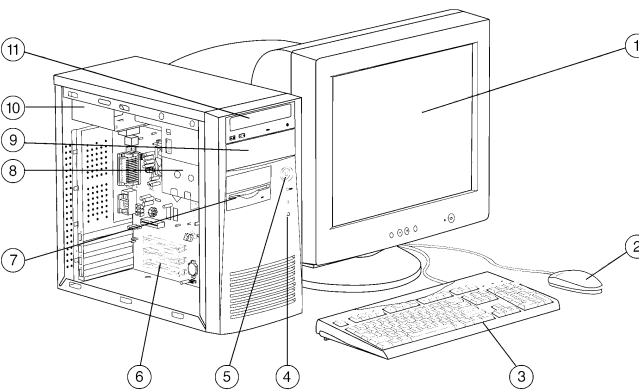
#### Desktop

1. S710 Monitor (sold separately)
2. Access Panel
3. 120-Watt Power Supply
4. Ultra ATA/100 Hard Drive
5. 1.44-MB Diskette Drive
6. Scroll Mouse
7. Easy Access Keyboard
8. 48X CD-ROM Drive (optional)
9. Dual-State Power Button
10. Expansion Slots
11. Access Panel Release Latch



#### Minitower

1. V710 Monitor (Sold separately)
2. Scroll Mouse
3. Easy Access Keyboard
4. LED
5. Dual-State Power Button
6. Expansion Slots
7. Ultra ATA/100 Hard Drive
8. 1.44-MB Diskette Drive (optional)
9. 48X CD-ROM Drive (optional)
10. Expansion Bays
11. 200-Watt Power Supply



#### Microtower

1. S710 Monitor (Sold separately)
2. Standard Mouse
3. Standard Keyboard
4. LED
5. Dual-State Power Button
6. Expansion Slots
7. 1.44-MB Diskette Drive
8. Ultra ATA/100 Hard Drive
9. Expansion Bays
10. 145-Watt Power Supply
11. 48X CD-ROM Drive (standard)

## Standard Features – Desktop and Minitower Pre-Configured Models

Chipset – Intel 815 (Available in pre-configured and custom configuration models)

**Pre-Configured Models**

*(Geos to localize with pre-configured models and part numbers)*

**Model Key**

**Example:**

**P600E/810E/13.5/64/C/I/9**

P600 =	Pentium 600 MHz processor
815E=	Chipset designation
13.5 =	Hard Drive
64 =	Memory
I =	Intel 3D Direct AGP graphics
N =	NVIDIA TNT Pro AGP graphics
C =	CD-ROM
9 =	Windows 98 SE
4 =	Microsoft Windows NT 4.0
6 =	Dual Installation Windows 2000/Windows NT 4.0

**Desktop**

P866/815E/20/128/N/C/6

xxxxxx-xxx

P866/815E/20/128/N/C/9

xxxxxx-xxx

**Minitower**

## Standard Features – Desktop and Minitower Pre-Configured Components

### Chipset – Intel 815

<b>Processor and Speed</b> <i>One of the following</i>	<b>Intel Pentium III Processors</b>	<b>Standard L2 Cache</b>	256-KB Integrated ECC
	1 GHz 933 MHz 866 MHz 800 MHz	<b>Front Side Bus</b> <b>Maximum Memory</b>	133 MHz 512 MB
	<b>Intel Celeron Processors</b>	<b>Standard L2 Cache</b>	128-KB Integrated ECC
	800 MHz with 100 MHz FSB 733 MHz 700 MHz	<b>Front Side Bus</b> <b>Maximum Memory</b>	66 MHz or 100 MHz 512 MB

Note: Intel Celeron processors that are 800 MHz or higher have 100 MHz Front Side Bus

### Hard Drives

<i>One of the following</i>	<b>7200 rpm</b>
	40-GB 7200 rpm SMART III Ultra ATA/100 Quiet Seek Hard Drive (worldwide) 20-GB 7200 rpm SMART III Ultra ATA/100 Quiet Seek Hard Drive (worldwide)
	<b>5400 rpm</b>
	40-GB 5400 rpm SMART III Ultra ATA/100 Quiet Seek Hard Drive (worldwide) 20-GB 5400 rpm SMART III Ultra ATA/100 Quiet Seek Hard Drive (worldwide)

Note: Deskpro EX Series will support a maximum interface speed of 66 Mb/s.

Note: On the Desktop EX Series, the SMART capable drive will run a POST (power on self-test) only. This self-diagnostic test will be run at every system boot up, and will provide customers with a warning of drive failure problems.

<b>Standard Memory (2 DIMMs)</b> <i>One of the following required</i>	64 MB (PC133MHz SDRAM Memory) 128MB (PC133MHz SDRAM Memory)
--	--

<b>Removable Storage</b>	1.44-MB Diskette Drive
--------------------------	------------------------

<b>Optical Storage</b> <i>On select models</i>	48X CD-ROM Drive 16X DVD-ROM Drive
--	---------------------------------------

<b>Keyboard/Mouse</b>	Easy Access Keyboard 2-Button Scroll Mouse
-----------------------	---

<b>Audio</b>	Integrated Intel Audio (speakers sold separately)
--------------	---

<b>Network Controller</b>	Standard 10/100 PCI NIC with WOL
---------------------------	----------------------------------

<b>Graphics</b>	NVIDIA GeForce2 GTS 32-MB AGP NVIDIA Vanta 16-MB AGP NVIDIA Vanta LT 8-MB AGP NVIDIA M64 Pro 16-MB AGP NVIDIA M64 Pro 32-MB AGP
-----------------	---

### Standard Features – Desktop and Minitower Custom Configuration Components

#### Deskpro EX Series – Flexible Solutions Configured to Order *(not available for Deskpro EX Series Microtower)*

Order the Compaq Deskpro EX Series the way the customer wants it by selecting the processor, hard drive, memory, graphics controller, and more. Purchase directly from Compaq or a Compaq Authorized Agent. Configurable components and Options change frequently. Check the Compaq Product Bulletin or [www.compaq.com](http://www.compaq.com) for the latest options available from Compaq. **Note:** This Web site is available in English only.

#### Chipset – Intel 815

Processor and Speed	Intel Pentium III Processors	Standard L2 Cache	256-KB Integrated ECC
<i>One of the following required</i>	1 GHz	Front Side Bus	133 MHz
	933 MHz	Maximum Memory	512 MB
	866 MHz		
	800 MHz		
	733 MHz		
	Intel Celeron Processors	Standard L2 Cache	128-KB Integrated ECC
	850 MHz with 100 MHz FSB	Front Side Bus	66 MHz or 100 MHz
	800 MHz with 100 MHz FSB	Maximum Memory	512 MB
	733 MHz		
	700 MHz		

**Note:** Intel Celeron processors that are 800 MHz or higher have 100 MHz Front Side Bus

Hard Drives	7200 rpm
<i>One of the following</i>	60-GB 7200 rpm SMART III Ultra ATA/100 Quiet Seek Hard Drive (worldwide)
	40-GB 7200 rpm SMART III Ultra ATA/100 Quiet Seek Hard Drive (worldwide)
	30-GB 7200 rpm SMART III Ultra ATA/100 Quiet Seek Hard Drive (worldwide)
	20-GB 7200 rpm SMART III Ultra ATA/100 Quiet Seek Hard Drive (worldwide)
	5400 rpm
	40-GB 5400 rpm SMART III Ultra ATA/100 Quiet Seek Hard Drive (worldwide)
20-GB 5400 rpm SMART III Ultra ATA/100 Quiet Seek Hard Drive (worldwide)	

**Note:** Deskpro EX Series will support a maximum interface speed of 66 Mb/s.

**Note:** On the Desktop EX Series, the SMART capable drive will run a POST (power on self-test) only. This self-diagnostic test will be run at every system boot up, and will provide customers with a warning of drive failure problems.

Memory (2 DIMMs)	256-MB SDRAM (PC133) (utilizes one DIMM slot)
<i>One of the following required</i>	128-MB SDRAM (PC133) (utilizes one DIMM slot)
	64-MB SDRAM (PC133) (utilizes one DIMM slot)

Removable Storage (Optional)	1.44-MB Diskette Drive
------------------------------	------------------------

Optical Storage (Optional)	48X CD-ROM Drive
	16X DVD-ROM Drive
	10X/40X DVD-ROM Drive
	12X/4X/32X CD-RW Drive
	8X/4X/32X CD-RW Drive
	DVD-RAM

---

## Standard Features – Desktop and Minitower Custom Configuration Components

---

### Chipset – Intel 815 *(continued)*

---

<b>Keyboard/Mouse</b>	Compaq Easy Access Keyboard Compaq Enhanced Keyboard Compaq Smart Card Keyboard Compaq 2-Button Scroll Mouse 2-Button Mouse
-----------------------	---

---

<b>Audio</b> <i>(Optional)</i>	Integrated Intel Audio (speakers sold separately)
--------------------------------	---

---

<b>Network Controller</b> <i>(Optional)</i>	Intel PRO/100+ Management Adapter Standard 10/100 PCI NIC with WOL Intel PRO/100+S 3COM 3C905C-TX
---	--

---

<b>Graphics</b> <i>(Optional)</i>	Intel 3D Direct AGP with optional Graphics Performance Accelerator (GPA) NVIDIA GeForce2 GTS 32-MB AGP NVIDIA Vanta 16-MB AGP NVIDIA Vanta LT 8-MB AGP NVIDIA M64 Pro 16-MB AGP NVIDIA M64 Pro 32-MB AGP
-----------------------------------	---

---

## Standard Features – Desktop and Minitower System Features

---

### Chipset – Intel 815

Expansion Capability	Desktop	Minitower
Memory Expansion Slots (DIMMS)		
Memory Type	168-pin Synchronous DRAM DIMM	168-pin Synchronous DRAM DIMM
Maximum Memory Device	256MB DIMM Module	256MB DIMM Module
Maximum Memory	512MB	512MB

Expansion Slots	Desktop	Minitower
AGP	1	1
PCI	3	3

Expansion Bays	Desktop	Minitower
Internal	1 internal hard drive bay	2 internal hard drive bay
External	2 external 5.25" drive bays 1 external floppy disk drive bay	2 external 5.25" drive bays 1 external floppy disk drive bay

Power Supply	Desktop	Minitower
	120 Watts	200 Watts

Operating System	Windows 98 SE
<i>One of the following required</i>	Dual Installation Windows 2000/Windows NT 4.0 SP6a Windows Millennium

Note: Dual Installation- End-user must make a one-time selection between Windows NT 4.0 and Windows 2000. If end-user desires the rejected product(s) after selection is made, the end-user must acquire and pay for rejected product(s) separately.

Interfaces	I/O Chip	SMC LPC 47B357
	Serial Port / UART Type	2
	Game	0
	Parallel Port	1
	USB	2
	Infrared Port	0
	Network	optional
	Keyboard	1
	Mouse	Fast Boot
	Video	1
	Audio	2
	Microphone	1

Power Conservation 'Energy Saver'	Energy Star Compliant
	Instantly Available PC Compliant
	Suspend to RAM
	APM Support
	Screen Blanking
	Hard Disk 'Idle' Mode
	Clock Slow Down
	System Idle Mode
	Cache Memory Power-Down
	CD-ROM and Audio Board Support Power-Down

Computer Setup Utility	Diagnostics for Windows - preloaded
------------------------	-------------------------------------

## Standard Features – Desktop and Minitower System Features

---

### Chipset – Intel 815 (continued)

---

<b>Boot Support</b>	Local Diskette Boot	
	Remote Diskette Boot – with appropriate NIC	
	Network Server Mode (Service Boot) – with appropriate NIC	
	Network Boot – with appropriate NIC	
<b>Initial Configuration and Deployment</b>	Remote System Installation	No (DMI 2.0 compliant)
	Replicated Setup	No (DMI 2.0 compliant)
	Compaq OS Restore CD	Yes
<b>Asset Control</b>	Asset Tag	Yes
	DIMM Serial Presence Detect	Yes
	Hard drive serial number, model & manufacturer	Yes, inF10 setup
	Monitor serial number, model & manufacturer	Available through Windows, not supported in F10 setup
	System serial number, model & manufacturer	Model and chassis serial number available in F10 setup
	ROM revision levels	Yes
	Systemboard revision level	No, not in F10 setup
	Compaq Fingerprint Identification Technology	No
	DMI BIOS	Yes
	Memory Change Alert	Yes
	Ownership Tag	Yes
	Smart Cover Lock	No
	Kensington Lock Support	Yes (only on Minitower)
	Compaq Lock Bracket Support	Yes (only on Minitower)
Smart Cover Sensor	No	
<b>Standard Security Features</b>	Boot Integrity Services (BIS) – Secure PXE	
	Master Boot Record Security	
	Power-On Password	
	Serial, Parallel & USB Port Control	
	Removable Media Write / Boot Control – with supported devices	
	Setup Password	
<b>Software Updating and Management</b>	Remote Security Management - supported in BIOS	
	Remote ROM Flash – supported in BIOS	
	Remote Wakeup / Remote Shutdown – Wake-on-LAN supported with appropriate NIC	
	ROM Based Setup	
<b>Fault Notification and Recovery</b>	DMI BIOS	
	SMART Hard Drives - Power on Self Test (POST) only	
	Surge Tolerant Power Supply	
	Ultra ATA Integrity Monitoring – DPS is supported in BIOS	
<b>Other Features</b>	Version of PCI Bus Supported – PCI Revision 2.2	
	Wake-on-LAN supported – with PCI PME# Signal	
	AOL Support – “No Boot” and “Processor Over Temp” signal are supported. Supported via a cable for 3-COM NICs. Other NICs use signals on the PCI connector (former SBO# and SDONE# Signals) as the AOL clock and data signals.	
	ACPI Compliant	
	Dual-State Power Button	
	Fast Boot	
	Wired for Management 1.1a Support – upgradable with appropriate NIC & Software	

### Standard Features – Desktop and Minitower System Features

#### Chipset – Intel 815 (continued)

<b>Desktop Chassis</b>	<b>Dimensions (HxWxD)</b>	5.1 x 14.5 x 15.7 in/12.95 x 36.83 x 39.88 cm		
	<b>Weight</b>	15 lbs/6.8 kg		
	<b>Weight Supported</b>	92 lbs/41.73 kg		
	<b>Power Supply</b>	Operating Voltage Range	90 to 132 VAC/180 to 264 VAC (switch select)	
		Rated Voltage Range	100 to 127 VAC/220 to 240 VAC	
		Rated Line Frequency	47 to 63 Hz	
		Rated Input Current	4A/2A @ 120W	
		Maximum Rated Power	120 Watts	
	<b>Temperature</b>	Operating	50° to 95°F/10° to 35°C	
		Non-operating	-4° to 140°F/-20° to 60°C	
<b>Humidity</b>	Operating	20% to 80%		
	Non-operating	10% to 90%		
<b>Maximum Altitude</b>	Operating	10,000 ft/3,048 m		
	Non-operating	30,000 ft/9,144 m		
	Maximum Rate of Change	1500 feet per minute/457 meters per minute		

<b>Minitower Chassis</b>	<b>Dimensions (HxWxD)</b>	17.65 x 6.6 x 17.11 in/44.83 x 16.76 x 43.46 cm		
	<b>Weight</b>	20 lbs/9.07 kg		
	<b>Weight Supported</b>	100 lbs/45.36 kg		
	<b>Power Supply</b>	Operating Voltage Range	90 to 132 VAC/180 to 264 VAC (switch select)	
		Rated Voltage Range	100 to 127 VAC/220 to 240 VAC	
		Rated Line Frequency	47 to 63 Hz	
		Rated Input Current	5.5A/3A @ 200W 6A/3A	
		Maximum Rated Power	200 Watts	
	<b>Temperature</b>	Operating	50° to 95°F/10° to 35°C	
		Non-operating	-4° to 140°F/-20° to 60°C	
<b>Humidity</b>	Operating	20% to 80%		
	Non-operating	10% to 90%		
<b>Maximum Altitude</b>	Operating	0 to 10,000 ft/0 to 3,048 m		
	Non-operating	0 to 30,000 ft/0 to 9,144 m		
	Maximum Rate of Change	1500 feet per minute/457 meters per minute		

#### Service and Support

(Deskpro EX Series Desktop and Minitower only)

On-site Warranty <sup>Note 1</sup>: This three-year, limited warranty covers all parts for three years and provides free, next-business-day <sup>Note 2</sup> service (parts and labor) for the first year and includes free telephone support <sup>Note 3</sup> 24 hours a day, 7 days a week. The customer may extend or upgrade the warranty to provide labor and/or on-site service for the second and third years. Global coverage <sup>Note 2</sup> ensures that any product purchased in one country and transferred to another non-restricted country will remain fully covered under the original warranty.

Note 1: Terms and conditions may vary by country. Certain restrictions and exclusions apply.

Note 2: On-site service may be provided pursuant to a service contract between Compaq and an authorized Compaq third-party provider, and is not available in certain countries. Global service response times are based on commercially reasonable best effort and may vary by country.

Note 3: Technical telephone support applies only to Compaq-configured Compaq and third-party Compaq-qualified hardware and software. Toll-free calling and 24 x 7 support may not be available in some countries.



## Standard Features – Microtower Pre-Configured Models

### Chipset – Intel 810E

#### Pre-Configured Models

*(Geos to localize with pre-configured models and part numbers)*

#### Model Key

##### Example:

#### P600E/810E/10.0/64c

P600 =	Pentium 600 MHz processor
810E=	Chipset designation
10.0 =	Hard Drive
64 =	Memory
I =	Intel 3D Direct AGP graphics
N =	NVIDIA TNT Pro AGP graphics
C =	CD-ROM
9 =	Windows 98 SE
4 =	Microsoft Windows NT 4.0
6 =	Dual Installation Windows 2000/Windows NT 4.0

#### Microtower

P866/815E/20/128/N/C/6

XXXXXX-XXX

P866/815E/20/128/N/C/9

XXXXXX-XXX

### Standard Features – Microtower Pre-Configured Components

---

**Chipset – Intel 810E** (Only available in pre-configured models)

---

<b>Processor and Speed</b> <i>One of the following</i>	<b>Intel Pentium III Processors</b>	<b>Standard L2 Cache</b>	256-KB Integrated ECC
	1 GHz	<b>Front Side Bus</b>	133 MHz
	866 MHz	<b>Maximum Memory</b>	512 MB
	733 MHz		
	667 MHz		
	<b>Intel Celeron Processors</b>	<b>Standard L2 Cache</b>	128-KB Integrated ECC
	733 MHz	<b>Front Side Bus</b>	66 MHz
	667 MHz	<b>Maximum Memory</b>	512 MB

---

**Hard Drive**                      **5400 rpm**  
10-GB 5400 rpm SMART III Ultra ATA/100 Quiet Seek Hard Drive (worldwide)

Note: Deskpro EX Series will support a maximum interface speed of 66 Mb/s.

Note: On the Desktop EX Series, the SMART capable drive will run a POST (power on self-test) only. This self-diagnostic test will be run at every system boot up, and will provide customers with a warning of drive failure problems.

---

**Standard Memory**              64 MB (PC133MHz SDRAM Memory)

---

**Removable Storage**            1.44-MB Diskette Drive

---

**Optical Storage**                48X CD-ROM Drive

---

**Keyboard/Mouse**                Standard Windows Keyboard  
2-Button Mouse

---

**Audio**                              Integrated Audio (speakers sold separately)

---

**Network Controller**            Standard 10/100 PCI NIC with WOL

---

**Graphics**                          Integrated Intel 3D Direct AGP

## Standard Features – Microtower System Features

---

### Chipset – Intel 810E

<b>Expansion Capability</b>	<b>Microtower</b>	
	Memory Expansion Slots (DIMMS)	2
	Memory Type	168-pin Synchronous DRAM DIMM
	Maximum Memory Device	256MB DIMM Module
	Maximum Memory	512MB

<b>Expansion Slots</b>	<b>Microtower</b>	
	PCI	3

<b>Expansion Bays</b>	<b>Microtower</b>	
	External	2 external 5.25" drive bays 1 external 3.5" drive bay 1 external floppy disk drive bay

<b>Power Supply</b>	<b>Microtower</b>	
	145 Watts	

<b>Operating System</b>	Windows 98 SE	
-------------------------	---------------	--

<b>Interfaces</b>	I/O Chip	WinBond W83627HF
	Serial Port / UART Type	1
	Game	1
	Parallel Port	1
	USB	2
	Infrared Port	0
	Network	Optional
	Keyboard	1
	Mouse	1
	Video	1
	Audio	2
	Microphone	1

<b>Power Conservation 'Energy Saver'</b>	Instantly Available PC Compliant	
	APM Support	
	Screen Blanking	
	Hard Disk 'Idle' Mode	
	Clock Slow Down	
	System Idle Mode	
	Cache Memory Power-Down	
	CD-ROM and Audio Board Support Power-Down	

<b>Computer Setup Utility</b>	Not available	
-------------------------------	---------------	--

<b>Boot Support</b>	Local Diskette Boot	
	Remote Diskette Boot	
	Network Server Mode (Service Boot) – with appropriate NIC	
	Network Boot – with appropriate NIC	

<b>Initial Configuration and Deployment</b>	Remote System Installation	No (DMI 2.0 compliant)
	Replicated Setup	No (DMI 2.0 compliant)
	Compaq OS Restore CD	Yes

### Standard Features – Microtower System Features

<b>Chipset – Intel 810E (continued)</b>	
<b>Asset Control</b>	Not available
<b>Standard Security Features</b>	Removable Media Write / Boot Control Setup Password
<b>Software Updating and Management</b>	Wake-on-LAN supported with appropriate NIC ROM Based Setup
<b>Fault Notification and Recovery</b>	DMI BIOS SMART Hard Drives - Power on Self Test (POST) only Surge Tolerant Power Supply Thermal Sensor Ultra ATA Integrity Monitoring Automatic Fan Control
<b>Other Features</b>	Version of PCI Bus Supported – PCI Revision 2.2 Wake-on-LAN supported AOL Support – default setup has this feature disabled. Can be enabled by user. ACPI Compliant - S1 compliant Dual-State Power Button Fast Boot

<b>Microtower Chassis</b>	<b>Dimensions (HxWxD)</b>	14 x 7.1 x 15.4 in/35.6 x 18 x 39.1 cm	
	<b>Weight</b>	18.3 lbs/8.3 kg	
	<b>Weight Supported</b>	100 lbs/45.5 kg	
	<b>Power Supply</b>	Operating Voltage Range	90 to 132 VAC/180 to 265 VAC
		Rated Voltage Range	100 to 127 VAC/220 to 240 VAC
		Rated Line Frequency	47 to 63 Hz
		Rated Input Current	4A/2A
		Maximum Rated Power	145W
	<b>Temperature</b>	Operating	50° to 95°F/10° to 35°C
		Non-operating	-4° to 140°F/-20° to 60°C
	<b>Humidity</b>	Operating	20% to 80%
		Non-operating	10% to 90%
	<b>Maximum Altitude</b>	Operating	0 to 10,000 ft/0 to 3,048 m
Non-operating		0 to 30,000 ft/0 to 9,144 m	
Maximum Rate of Change		1500 feet per minute/457 meters per minute	

**Service and Support**  
(Deskpro EX Series Microtower only)

On-site Warranty <sup>Note 1</sup>: This one-year (1-1-1), limited warranty delivers one year of on-site, next business-day <sup>Note 2</sup> service for parts and labor and includes free telephone support <sup>Note 3</sup> 24 x 7. Global coverage <sup>Note 2</sup> ensures that any product purchased in one country and transferred to another non-restricted country will remain fully covered under the original warranty and service offering. One-year onsite and labor are not available in all countries.

Note 1: Terms and conditions may vary by country. Certain restrictions and exclusions apply.

Note 2: On-site service may be provided pursuant to a service contract between Compaq and an authorized Compaq third-party provider, and is not available in certain countries. Global service response times are based on commercially reasonable best effort and may vary by country.

Note 3: Technical telephone support applies only to Compaq-configured Compaq and third-party Compaq-qualified hardware and software. Toll-free calling and 24 x 7 support may not be available in some countries.

### After-Market Options

#### Memory (DIMMs)

##### *133-MHz SDRAM DIMMs*

256-MB Memory Kit (1 x 256-MB SDRAM DIMM, 133 MHz)	174225-B21
128-MB Memory Kit (1 x 128-MB SDRAM DIMM, 133 MHz)	174224-B21
64-MB Memory Kit (1 x 64-MB SDRAM DIMM, 133 MHz)	174223-B21

#### Monitors

##### *TFTs*

Compaq TFT8020 Monitor (18-inch, Opal)	326100-001
Compaq TFT8020 Monitor (18-inch, Carbon)	159244-001
Compaq TFT7000 Monitor (15-inch, Opal)	136143-001
Compaq TFT5010 Monitor (15-inch, Opal)	104741-001
Compaq TFT5010 Monitor (15-inch, Carbon)	154486-001
Compaq TFT5005 Monitor (15-inch, Opal)	201431-001
Compaq TFT5005 Monitor (15-inch, Carbon)	201430-001

##### *CRTs*

##### *Professional Series*

Compaq P1210 CRT Monitor (21-inch, Opal)	210290-001
Compaq P910 CRT Monitor (19-inch, Opal)	210254-001
Compaq P710 CRT Monitor (17-inch, Opal)	210189-001

##### *Value Series*

Compaq V1100 CRT Monitor (21-inch, Opal)	386472-001
Compaq V710 CRT Monitor (17-inch, Opal)	187895-001

##### *Standard Series*

Compaq S910 CRT Monitor (19-inch, Opal)	138485-001
Compaq S710 CRT Monitor (17-inch, Opal)	152991-001
Compaq M710 CRT Monitor (17-inch, Opal)	154499-005
Compaq S710 CRT Monitor (17-inch, Carbon)	154499-002
Compaq S510 CRT Monitor (15-inch, Carbon)	168636-002

#### 2D Graphics

##### *Controller Cards*

NVIDIA Vanta LT 8-MB AGP	216078-B21
NVIDIA GeForce 2GTS 32-MB AGP ( <i>Desktop and Minitower only</i> )	190349-B21
NVIDIA M64 Pro 32-MB AGP ( <i>Desktop and Minitower only</i> )	216080-B21
NVIDIA M64 Pro 16-MB AGP ( <i>Desktop and Minitower only</i> )	211081-B21
NVIDIA Vanta 16-MB LP AGP ( <i>Desktop and Minitower only</i> )	239317-B21
Intel 4-MB Graphic Performance Accelerator (AIMM) Module ( <i>Desktop and Minitower only</i> )	218961-B21
Matrox G450 32-MB AGP ( <i>Minitower only</i> )	202389-B21
Matrox G450 16-MB PCI ( <i>Minitower only</i> )	202390-B21

### After-Market Options

Removable Storage	<b>Floppy Drives</b>		
	ZIP 100 High-Capacity Floppy Drive (opal)	294402-001	
	ZIP 100 Media (3-Pack)	127591-001	
	ZIP 250 High-Capacity Floppy Drive (opal)	294416-001	
	ZIP 250 Media (3-Pack)	217896-B21	
	<b>Tape Drives</b>		
	TR5 10/20 GB Tape Drive (Desktop and Minitower only)	294243-B21	
	TR5 10/20 GB Media (3-Pack) (Desktop and Minitower only)	125782-B21	
	Optical Drives	<b>DVD-ROM Drives</b>	
		10X/40X DVD-ROM Drive (opal)	294414-001
16X/40X DVD-ROM Drive (opal)		211055-B21	
16X/40X DVD-ROM Drive with RAM read (opal)		237495-B21	
<b>CD-ROM Drives</b>			
48X Max CD-ROM Drive		187217-B21	
<b>CD-RW Drives</b>			
12X/8X/32X CD-RW Drive (opal)		217638-B21	
16X/10X/40X CD-RW Drive (opal)		240598-B21	
<b>DVD-RAM Drives and Media</b>			
4.7-GB DVD-RAM Drive (opal)		294415-B21	
4.7-GB DVD-RAM Drive Media Kit (3 pack)		294415-B22	
Smart Hard Drives		<b>SMART III Ultra ATA/100 Hard Drives with Drive Protection System (DPS)</b>	
		60-GB 7200 rpm SMART III Ultra ATA/100 Quiet Seek and Idle Hard Drive with DPS (worldwide)	230253-B21
		40-GB 7200 rpm SMART III Ultra ATA/100 Quiet Seek and Idle Hard Drive with DPS (worldwide)	201066-B21
	30-GB 7200 rpm SMART III Ultra ATA/100 Quiet Seek and Idle Hard Drive with DPS (worldwide)	178252-B21	
	20-GB 7200 rpm SMART III Ultra ATA/100 Quiet Seek and Idle Hard Drive with DPS (EMEA only)	176275-021	
	20-GB 7200 rpm SMART III Ultra ATA/100 Quiet Seek Hard Drive with DPS (worldwide)	176272-B21	
	10-GB 7200 rpm SMART III Ultra ATA/100 Quiet Seek and Idle Hard Drive with DPS (EMEA only)	176273-021	
	10-GB 7200 rpm SMART III Ultra ATA/100 Quiet Seek Hard Drive with DPS (worldwide)	176270-B21	
	<i>Note: Deskpro EX Series will support a maximum interface speed of 66 Mb/s.</i>		
	<i>Note: On the Desktop EX Series, the SMART capable drive will run a POST (power on self-test) only. This self-diagnostic test will be run at every system boot up, and will provide customers with a warning of drive failure problems.</i>		
	<b>SCSI Hard Drives</b>		
	18-GB 10K rpm Ultra3 (Ultra 160) SCSI Hard Drive (815 chipset only)	159764-B21	
	9.1-GB 10K rpm Ultra3 (Ultra 160) SCSI Hard Drive (815 chipset only)	159763-B21	
	Controllers/Cables/Adapters	Wide Ultra2 SCSI Controller	124720-B21

### After-Market Options

<b>Multimedia</b>	Compaq Microphone	103589-B21
	Sound Blaster PCI Audio 128V <i>(no internal speaker included) (Microtower only)</i>	388550-001
	Altec Lansing ACS21 Speakers	194839-001
	PremierSound PS115 Speakers <i>(Desktop and Minitower only)</i>	133566-002
	PremierSound PS330 Speakers	160992-xx1
	Altec Lansing ACS33 Speakers <i>(Desktop and Minitower only)</i>	203621-xx1
	1394 PCI Digital Video Adobe	229966-B21
<b>Communications</b>	V.90 PCI Controller-based Modem	171914-001
	Compaq NC4621 Token Ring NIC PCI 4/16 WOL <i>(Desktop and Minitower only)</i>	379956-B21
	IBM 16/4 Token Ring Special <i>(Desktop and Minitower only)</i>	133749-B21
	Intel Pro/100+ Management Adapter	127453-B2x
	Standard 10/100 PCI NIC with WOL	203538-B21
<b>Input/Output Devices</b>	Compaq Easy Access Keyboard	122660-006
	Compaq Enhanced Keyboard <i>(Desktop and Minitower only)</i>	294343-B21
	Compaq Smart Card Keyboard	115506-006
	Compaq 2-Button Mouse <i>(Opal)</i>	143315-B21/293
	Compaq Scroll Mouse <i>(Opal)</i>	170299-B21
	Compaq Scroll Mouse Kit <i>Carbon)</i>	170299-B22
	Compaq Fingerprint Identification Reader	294307-001
Compaq Smart Card Reader	113771-B21	
<b>Support Software CD</b>	Annual Subscription	183426-001
	Single CD-ROM (current month)	272505-001

## Memory

---

815 chipset (64 MB) – Desktop and Minitower only

### 133-MHz SDRAM DIMM MEMORY

#### STANDARD MEMORY

64-MB DIMM Standard

#### STANDARD MEMORY PLUS OPTIONAL MEMORY

Support for up to 192 MB of DIMM memory is available with the installation of optional SDRAM Memory Kits.

#### STANDARD MEMORY REPLACED WITH OPTIONAL MEMORY

Support for up to 512 MB of DIMM memory is available with the removal of the standard 64-MB DIMM and the installation of optional SDRAM Memory Kits.

Memory		Slot	
		1	2
Standard	64 MB	64 MB	Empty
Optional	192 MB	64 MB	128 MB
Maximum	512 MB	256 MB	256 MB

Note: It is not necessary to add memory in pairs or kits. Memory upgrades are accomplished by adding single or multiple DIMMs of the same or varied sizes. This chart does not represent all possible memory configurations.

---

815 chipset (128 MB) – Desktop and Minitower only

### 133-MHz SDRAM DIMM MEMORY

#### STANDARD MEMORY

128-MB DIMM Standard

#### STANDARD MEMORY PLUS OPTIONAL MEMORY

Support for up to 256 MB of DIMM memory is available with the installation of optional SDRAM Memory Kits.

#### STANDARD MEMORY REPLACED WITH OPTIONAL MEMORY

Support for up to 512 MB of DIMM memory is available with the removal of the standard 128-MB DIMM and the installation of optional SDRAM Memory Kits.

Memory		Slot	
		1	2
Standard	128 MB	128 MB	Empty
Optional	256 MB	128 MB	128 MB
Maximum	512 MB	256 MB	256 MB

Note: It is not necessary to add memory in pairs or kits. Memory upgrades are accomplished by adding single or multiple DIMMs of the same or varied sizes. This chart does not represent all possible memory configurations.



## Memory

---

**815 chipset (256 MB) – Desktop and Minitower only**

### 133-MHz SDRAM DIMM MEMORY

#### STANDARD MEMORY

256-MB DIMM Standard

#### STANDARD MEMORY PLUS OPTIONAL MEMORY

Support for up to 512 MB of DIMM memory is available with the installation of optional SDRAM Memory Kits.

Memory		Slot	
		1	2
Standard	256 MB	256 MB	Empty
Optional	512 MB	256 MB	256 MB

Note: It is not necessary to add memory in pairs or kits. Memory upgrades are accomplished by adding single or multiple DIMMs of the same or varied sizes. This chart does not represent all possible memory configurations.

---

**810E chipset (64 MB) – Microtower only**

### 133-MHz SDRAM DIMM MEMORY

#### STANDARD MEMORY

64-MB DIMM Standard

#### STANDARD MEMORY PLUS OPTIONAL MEMORY

Support for up to 192 MB of DIMM memory is available with the installation of optional SDRAM Memory Kits.

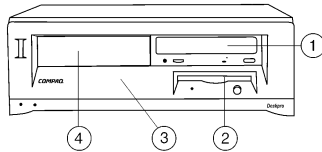
#### STANDARD MEMORY REPLACED WITH OPTIONAL MEMORY

Support for up to 512 MB of DIMM memory is available with the removal of the standard 64-MB DIMM and the installation of optional SDRAM Memory Kits.

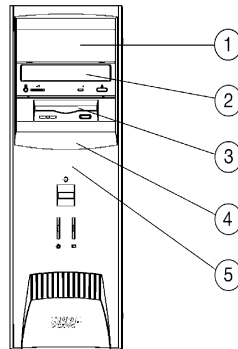
Memory		Slot	
		1	2
Standard	64 MB	64 MB	Empty
Optional	192 MB	64 MB	128 MB
Maximum	512 MB	256 MB	256 MB

Note: It is not necessary to add memory in pairs or kits. Memory upgrades are accomplished by adding single or multiple DIMMs of the same or varied sizes. This chart does not represent all possible memory configurations.

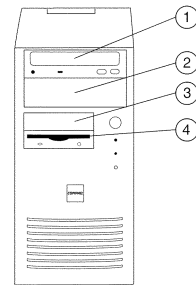
## Storage



Desktop Configuration



Minitower Configuration



Microtower Configuration

### DESKPRO EX SERIES DRIVE SUPPORT

	Quantity Supported	Position Supported	Controller
<b>DESKTOP</b>			
Floppy Drives	1	2	Super I/O
Tape Drives	2	1,4	IDE
CD-ROM Drives	2	1,4	IDE
DVD-ROM Drives	2	1,4	IDE
CD-RW Drives	2	1,4	IDE
SMART III Ultra ATA/100 Hard Drives Up to 1 (POST only)		3	Ultra ATA
SCSI Hard Drives	Up to 1	3	SCSI
<b>MINITOWER</b>			
Floppy Drives	1	3	Super I/O
Tape Drives	2	1,2	IDE
CD-ROM Drives	2	1,2	IDE
DVD-ROM Drives	2	1,2	IDE
CD-RW Drives	2	1,2	IDE
SMART III Ultra ATA/100 Hard Drives Up to 2 (POST only)		4,5	Ultra ATA
SCSI Hard Drives	Up to 2	4,5	SCSI
<b>MICROTOWER</b>			
Floppy Drives	1	4	Super I/O
Tape Drives	2	1,2	IDE
CD-ROM Drives	2	1,2	IDE
DVD-ROM Drives	2	1,2	IDE
CD-RW Drives	2	1,2	IDE
SMART III Ultra ATA/100 Hard Drives Up to 2 (POST only)		4	Ultra ATA
SCSI Hard Drives	Up to 2	4	SCSI

### Technical Specifications

---

<b>Compaq Easy Access Keyboard</b>	<b>Dimensions (HxWxD)</b>	18.3 x 6.3 x 1.4 in/465 x 160 x 36 mm
	<b>Weight</b>	Approximately 2 lbs/0.9 kg
<b>Electrical</b>	Operating Voltage	+5VDC $\pm$ 5%
	Power Consumption	50 mA maximum (with 3 LEDs on)
	System Interface	PS/2 mini-din connector
	ESD	CE level 4, 15 kV air discharge
	EMI-RFI	Conforms to FCC rules for a Class B computing device
	PC98	Functionally compliant
<b>Mechanical</b>	Languages	30+ available
	Keycaps	Low-profile design
	Switch Actuation	55 g nominal peak force with tactile feedback
	Switch Life	20 million keystrokes (using Hasco modified tester)
	Switch Type	Contamination resistant membrane
	Key Leveling Mechanism	For all double wide and greater length keys
	Cable Length	6 ft/1.8 m
	PC98-99	Mechanically compliant
	Acoustics	50 dBA maximum sound pressure level
<b>Environmental</b>	Operating Temperature	50° to 122° F/10° to 50° C
	Non-operating Temperature	-22° to 140° F/-30° to 60° C
	Operating Humidity	10% to 90% (non condensing at ambient)
	Non-operating Humidity	20% to 80% (non condensing at ambient)
	Operating Shock	40 g, 6 surfaces
	Non-operating Shock	80 g, 6 surfaces
	Operating Vibration	2 g peak acceleration
	Non-operating Vibration	4 g peak acceleration

---

## Technical Specifications

---

<b>Compaq 2-Button Scroll Mouse</b>	<b>Width</b>	8 mm
	<b>Maximum Rotation Speed</b>	30 mm/s
	<b>Switch Type</b>	Light force micro-switch
	<b>Switch Life</b>	1 million operations
	<b>Mechanical Life</b>	Minimum 200,000 revolutions
	<b>Environmental</b>	Operating Temperature 50° to 122° F/10° to 50° C Non-operating Temperature -22° to 140° F/-30° to 60° C Operating Humidity 10% to 90% (non condensing at ambient) Non-operating Humidity 20% to 80% (non condensing at ambient) Operating Shock 40 g, 6 surfaces Non-operating Shock 80 g, 6 surfaces Operating Vibration 2 g peak acceleration Non-operating Vibration 4 g peak acceleration
	<b>Electrical</b>	Operating Voltage +5VDC ± 10% Power Consumption 15mA System Consumption PS/2 mini-din connector ESD CE level 4, 15 kV air discharge EMI-RFI Conforms to FCC rules for a Class B computing device PC98 Functionally compliant
	<b>Mechanical</b>	Resolution 400 ± 20% DPI Tracking Speed 10 in/s maximum Acceleration 100 in/s Switch Actuation 85 g nominal peak force Switch Life 1,000,000 operations (using Hasco modified tester) Cable Length 2 m PC98-99 Mechanically compliant
	<b>Regulatory Approvals</b>	UL, CSA, FCC, CE Mark, TUV, TUV GS, VCCI, BCIQ, C-Tick

---

## Technical Specifications

<b>1.44-MB Diskette Drive</b>	<b>Diskette Size</b>	3.5 in	
	<b>LED Indicators (front panel)</b>	Green	
	<b>Read/Write Capacity per Diskette (high/low density)</b>	1.44 MB/720 KB	
	<b>Drive Supported</b>	One	
	<b>Drive Height</b>	One-third	
	<b>Drive Rotation</b>	300 rpm	
	<b>Transfer Rate (high/low)</b>	500/250 Kb/s	
	<b>Bytes/Sector</b>	512	
	<b>Sectors/Track (high/low)</b>	18/9	
	<b>Tracks/Side (high/low)</b>	80/80	
	<b>Access Times</b>	Track-to-Track (high/low)	3/6 ms
		Average (high/low)	169/94 ms
		Settling Time	15 ms
		Latency Average	100 ms
<b>Cylinders (high/low)</b>	80/80		
<b>Read/Write Heads</b>	Two		

### SMART Ultra ATA/100 Hard Drives

<b>7200 rpm</b> <i>60-GB capacity points include Quiet Idle technology, which reduces acoustic levels by approximately 5 decibels, and they ship worldwide.</i>	<b>60 GB Capacity</b>	60,000 MB	
	<b>Height</b>	1 in/25.4 mm	
	<b>Width</b>	3.5 in/88.9 mm	
	<b>Interface</b>	Ultra ATA/100	
	<b>Transfer Rate Synchronous (Maximum)</b>	66 MB/s	
	<b>Seek Time (typical reads, including settling)</b>	Single Track	1.2 ms (2.7 ms quiet seek)
		Average	8 ms (14.3 ms quiet seek)
		Full-Stroke	18.0 ms (24.1 ms quiet seek)
	<b>Rotational Speed</b>	7200 rpm	
	<b>Physical Configuration</b>	Logical Blocks	117,231,408
<b>Operating Temperature</b>	41° to 131°F/5° to 55°C		

<b>7200 rpm</b> <i>40-GB capacity points include Quiet Idle technology, which reduces acoustic levels by approximately 5 decibels, and they ship worldwide.</i>	<b>40 GB Capacity</b>	40,000 MB	
	<b>Height</b>	1 in/25.4 mm	
	<b>Width</b>	3.5 in/88.9 mm	
	<b>Interface</b>	Ultra ATA/100	
	<b>Transfer Rate Synchronous (Maximum)</b>	66 MB/s	
	<b>Seek Time (typical reads, including settling)</b>	Single Track	1.2 ms (2.7 ms quiet seek)
		Average	8 ms (10.1 ms quiet seek)
		Full-Stroke	18 ms (21.1 ms quiet seek)
	<b>Rotational Speed</b>	7200 rpm	
	<b>Physical Configuration</b>	Logical Blocks	78,165,360
<b>Operating Temperature</b>	41° to 131°F/5° to 55°C		

### Technical Specifications

<b>7200 rpm</b> <i>(continued)</i>  <i>30-GB capacity points include Quiet Idle technology, which reduces acoustic levels by approximately 5 decibels, and they ship worldwide.</i>	<b>30 GB</b>	<b>Capacity</b>	30,000 MB	
		<b>Height</b>	1 in/25.4 mm	
		<b>Width</b>	3.5 in/88.9 mm	
		<b>Interface</b>	Ultra ATA/100	
		<b>Transfer Rate</b> Synchronous (Maximum)	66 MB/s	
		<b>Seek Time</b> (typical reads, including settling)	Single Track	1.2 ms (2.7 ms quiet seek)
			Average	8 ms (10.1 ms quiet seek)
			Full-Stroke	18 ms (21.1 ms quiet seek)
		<b>Rotational Speed</b>	7200 rpm	
		<b>Physical Configuration</b>	Logical Blocks	58,633,334
<b>Operating Temperature</b>	41° to 131°F/5° to 55°C			
<b>7200 rpm</b>  <i>20-GB 7200rpm drives shipping in EMEA with Quiet Seek also have Quiet Idle technology, which reduces acoustic levels by approximately 5 decibels</i>	<b>20 GB</b>	<b>Capacity</b>	20,000 MB	
		<b>Height</b>	1 in/25.4 mm	
		<b>Width</b>	3.5 in/88.9 mm	
		<b>Interface</b>	Ultra ATA/100	
		<b>Transfer Rate</b> Synchronous (Maximum)	66 MB/s	
		<b>Seek Time</b> (typical reads, including settling)	Single Track	1.2 ms (2.7 ms quiet seek)
			Average	8 ms (10.1 ms quiet seek)
			Full-Stroke	18 ms (21.1 ms quiet seek)
		<b>Rotational Speed</b>	7200 rpm	
		<b>Physical Configuration</b>	Logical Blocks	39,102,336
<b>Operating Temperature</b>	41° to 131°F/5° to 55°C			
<b>SMART Ultra ATA/100 Hard Drives</b>				
<b>5400 rpm</b>  <i>40-GB capacity points include Quiet Idle technology, which reduces acoustic levels by approximately 5 decibels, and they ship worldwide.</i>	<b>40 GB</b>	<b>Capacity</b>	40,000 MB	
		<b>Height</b>	1 in/25.4 mm	
		<b>Width</b>	3.5 in/88.9 mm	
		<b>Interface</b>	Ultra ATA/100	
		<b>Transfer Rate</b> Synchronous (Maximum)	66 MB/s	
		<b>Seek Time</b> (typical reads, including settling)	Single Track	1.2 ms (2.7 ms quiet seek)
			Average	8 ms (10.1 ms quiet seek)
			Full-Stroke	18 ms (21.1 ms quiet seek)
		<b>Rotational Speed</b>	5400 rpm	
		<b>Physical Configuration</b>	Logical Blocks	78,165,360
<b>Operating Temperature</b>	41° to 131°F/5° to 55°C			
<b>5400 rpm</b>  <i>30-GB capacity points include Quiet Idle technology, which reduces acoustic levels by approximately 5 decibels, and they ship worldwide.</i>	<b>20 GB</b>	<b>Capacity</b>	20,000 MB	
		<b>Height</b>	1 in/25.4 mm	
		<b>Width</b>	3.5 in/88.9 mm	
		<b>Interface</b>	Ultra ATA/100	
		<b>Transfer Rate</b> Synchronous (Maximum)	66 MB/s	
		<b>Seek Time</b> (typical reads, including settling)	Single Track	1.2 ms (2.7 ms quiet seek)
			Average	8 ms (10.1 ms quiet seek)
			Full-Stroke	18 ms (21.1 ms quiet seek)
		<b>Rotational Speed</b>	5400 rpm	
		<b>Physical Configuration</b>	Logical Blocks	58,633,334
<b>Operating Temperature</b>	41° to 131°F/5° to 55°C			

Note: Deskpro EX Series will support a maximum interface speed of 66 Mb/s.

Note: On the Deskpro EX Series, the SMART capable drive will run a POST (power on self-test) only. This limited, self-diagnostic test will be run at every system boot up, and will provide customers with a warning of drive failure problems.

## Technical Specifications

<b>48X CD-ROM Drive</b>	<b>Bus</b>	
	<b>Data Buffer</b>	16.6 MB/s
	<b>Data Transfer Rate</b> Rate1 KB = 1,024 bytes	Sustained 150 KB/s Minimum (audio)
		Variable CD: 3,000 to 7200 KB/s
	<b>Disk Rotation Technology</b>	CAV-Constant Angular Velocity
	<b>Access Time (ms)</b>	Random < 100 ms
		Full-Stroke Seek < 150 ms
	<b>Access Seek Time</b>	
	<b>Cache Buffer Standard/Maximum</b>	128 KB
	<b>Interface</b>	ATAPI
	<b>Disk Formats Read</b>	Photo-CD/Multi-session, CD-ROM, Multi Read, CD TEXT, Audio CD, CD-I, CD-RW and CD-R CD-EXTRA and CD-ROM XA
	<b>Disk Formats Written</b>	None
	<b>Disk</b>	Capacity CD: 650 MB
		Block Size Mode 1 – 2,048 bytes Mode 2 – 2,340, 2,336 bytes CD-DA – 2,352 bytes CD-XA – 2,328 bytes
		Diameter 12 cm; 8 cm
		Thickness 1.2 mm
		Track Pitch 1.6 µm
	<b>Audio Output Level</b>	Line-out 0.7 V @ 47 Kohm
		Headphone 0.6 V @ 32 ohm
	<b>Startup Time</b>	< 7 seconds (typical); < 30 seconds with multi-session
	<b>Operating Conditions</b>	Temperature 41° to 113°F/5° to 45°C
		Humidity 10% to 80% relative humidity
	<b>Dimensions</b>	(HxWxD, maximum) 1.7 x 5.9 x 8.2 in/42.9 x 150.1 x 208 mm
		Weight 2.6 lbs/1200 g
	<b>Approvals/Environmentals</b>	
	<b>OS support</b>	Windows NT 3.51/4.0 Windows 3.51/95/98/2000 OS/2
	<b>OS support</b>	Windows NT 3.51/4.0 Windows 3.51/95/98/2000 OS/2
	<b>MPEG playback graphics solution support</b>	None
	<b>Compaq Products Supported</b>	Deskpro 2000, 4000, 6000, and Deskpro EP and EN Series
	<b>Other</b>	Operates in horizontal or vertical position

## Technical Specifications

<b>16X DVD-ROM Drive</b>	<b>Bus</b>	Ultra DMA 33
	<b>Data Transfer Rate</b> (1 KB = 1024 bytes)	Sustained DVD = 8.1 MB/s to 21.6 MB/s CD-ROM = 2.55 KB/s to- 6.00 KB/s
	<b>Disk Rotation Technology</b>	DVD: CAV -Constant Angular Velocity CD: CAV - Constant Angular Velocity
	<b>Access Time</b> (ms)	Random DVD = <100 ms; CDROM = < 80 ms Full Stroke Seek DVD = <240 ms; CDROM = <160 ms
	<b>Cache Buffer Standard / Max</b>	512 KB
	<b>ATAPI Interface</b>	ATAPI
	<b>Disk Formats Read</b>	DVD-ROM Yes DVD-Video Yes DVD-R Yes DVD-RW Yes DVD-RAM No Photo-CD/Multi-session Yes CD-ROM Yes CD TEXT Yes Audio CD Yes CD-I Yes CD-RW Yes CD-R Yes CD-DA Yes Video CD Yes CD EXTRA Yes CD-ROM XA Yes MPEG Yes MPC Level 2 Yes
	<b>Disk Formats Written</b>	None



## Technical Specifications

<b>16X DVD-ROM Drive (continued) Disk</b>	Capacity	CD = 650 MB DVD: 4.7 GB, 8.5 GB, 9.4 GB
	Block Size	Mode 0 2352 (bytes)
		Mode 1 2352, 2340, 2336, 2048 (bytes)
		Mode 2 2352, 2340, 2336, 2048 (bytes) DVD – 2048 (bytes)
	Diameter	12 cm, 8 cm
	Thickness	1.2 mm (CD-ROM)
		1.2 mm (DVD)
Track Pitch	1.6 $\mu$ m (CD-ROM) 0.74 $\mu$ m (DVD)	
<b>Audio Output Level</b>	Line Out	0.7 $\pm$ 0.1 Vrms
	Headphones	0.45 $\pm$ 0.2 Vrms
<b>Operating Conditions</b>	Temperature	41° to 113°F/5° to 45°C
	Humidity	5% to 85% relative humidity
<b>Dimensions (HxWxD)</b>	Inches	1.67 x 5.83 x 8.18
	Centimeters	4.23 x 14.8 x 20.75
<b>Weight</b>	Pounds	2.22
	Kilograms	1
<b>Agency Approvals / Environmentals</b>	UL, CSA, TUV, FDA, FCC, CE, EMI	
<b>OS Support</b>	Windows 98/98SE, Windows ME, Windows 2000, and Windows NT 4.0 (for data applications only)	
<b>MPEG Video playback compatibility</b>	Please refer to the platform for support	
<b>RPC2 (Regional Protection Control)</b>	Yes	
<b>Minimum CPU Supported</b>	Pentium II 400 MHz or Celeron 466 MHz	
<b>Mounting Orientation</b>	Operates in horizontal or vertical position.	
<b>Kit Contents</b>	DVD-ROM Drive, MPEG playback software, IDE Cable, audio cable, installation instructions, and warranty card.	

## Technical Specifications

10X/40X DVD-ROM Drive	Disk	Applicable Disk	CD-ROM (Mode 1 and 2) CD-DA, CD-I, CD-R, CD-RW Photo CD (Single and Multi-session) CD-XA, Mixed-Mode	
		Capacity	CD: 640 MB (Mode 1, 12 cm) DVD: 4.7-GB single layer, single side	
		Diameter	4.7 in, 3.15 in/12 cm, 8 cm	
		Center Hole	0.6 in/15 mm diameter	
		Thickness	0.05 in/1.2 mm	
		Track Pitch	CD: 1.6 $\mu$ m DVD: 0.74 $\mu$ m	
		Block Size	Mode 1	2,048 bytes
			Mode 2	2,340, 2,336 bytes
	CD-DA		2,352 bytes	
	CD-XA		2,328 bytes	
	Audio Output Level	IDE/ATAPI		
		Line-out	0.7 Vrms	
		Headphone	0 to 0.6 Vrms	
	Access Times (typical)	Random	DVD: < 100 ms CD: < 80 ms	
		Full-Stroke	< 240 ms	
	Data Transfer Rate	DVD	10X DVD: 5,545 to 13,525 KB/s (variable)	
		CD	40X CD-ROM: 2,600 to 6,000 KB/s (variable)	
	Cache Buffer	512 KB		
	Start-up Time (typical)	< 15 seconds (typical)		
	Stop Time	< 4 seconds		
	Operating Conditions	Temperature	41° to 113°F/5° to 45°C	
		Humidity	10% to 85%	

## Technical Specifications

8X/4X/32X CD-RW Drive	<b>Bus</b>	16.6 MB/s
	<b>Data Buffer</b>	2 MB
<b>Data Transfer Rate</b> 1 KB = 1,024 bytes	Sustained	CD-R Write: 1200 KB/s (8X) CD-RW Write: 600 KB/s (4X) CD-RW Read: 1200 KB/s (8X) CD-ROM and CD-R Read: Up to 4800 KB/s (32X)
	Variable	
<b>Disk Rotation Technology</b>	Partial CLV/CAV	
<b>Access Time (ms)</b>	Random	120 ms (typical)
	Full-Stroke Seek	200 ms (typical)
<b>Access Seek Time</b>	Not Specified	
<b>Cache Buffer Standard/Maximum</b>	1 MB (minimum)	0.7 Vrms
<b>Interface</b>	ATAPI IDE	0 to 0.6 Vrms
<b>Disk Formats Read</b>	Photo-CD/Multi-session CD-ROM Multi Read CD TEXT Audio CD CD-I CD-RW CD-R CD-DA Video CD CD EXTRA CD-ROM XA	
<b>MPC Level 2</b>	MPC-3 Compliant	
<b>Disk Formats Written</b>	CD-R and CD-RW; Disk at Once, Track at Once, Fixed Packet, variable Packet	
<b>Disk</b>	Capacity	650 MB (Mode 2) 540 MB (Mode 1)
	Block Size	2,048 bytes (mode 1)
	Diameter	12 cm, 8 cm
	Thickness	1.2 mm
	Track Pitch	1.6 $\mu$ m
<b>Audio Output Level</b>	Line-out	0.7 Vrms (typical)
	Headphone	
<b>Start-up Time</b>	< 7 seconds (typical)	
<b>Stop Time</b>	< 4 seconds (typical)	
<b>Operating Conditions</b>	Temperature (operating)	41° to 113° F/5° to 45° C
	Humidity (operating)	10% to 80% relative humidity
<b>Dimensions</b> (HxWxD, maximum)	inches	Fits in a standard 5.25 bay

### Technical Specifications

8X/4X/32X CD-RW Drive (continued)	<b>Weight</b>	2.64 lbs/1,200 g (maximum)
	<b>Approvals/Environmentals</b>	FCC, UL, CSA, CE, FDA, EN60 950
	<b>OS support</b>	Windows 95, Windows 98, Windows NT 4.0
	<b>MPEG playback graphics solution support</b>	None
	<b>Minimum CPU Supported</b>	Pentium MMX or Celeron 466 MHz
	<b>Compaq Products Supported</b>	Deskpro EP and EN Series (excluding Deskpro EN Series Small Form Factor), Deskpro 2000, Deskpro 4000, & Deskpro 6000 MMX
	<b>Mounting Orientation</b>	Operates in horizontal or vertical position

Integrated Intel 3D Direct AGP with optional Graphics Performance Accelerator	<b>Form Factor</b>	Integrated
	<b>Bus Type</b>	Direct AGP
	<b>Standard Memory</b>	Utilizes dynamic DVMT shared memory allocation
	<b>Upgradable To</b>	Upgrade 4-MB display cache
	<b>DAC Speed</b>	230 MHz
	<b>Maximum Resolution</b>	1600 x 1200 x 8 @ 75 Hz
	<b>Data Path Width</b>	64 bit
	<b>Memory Width</b>	32-bit DC
	<b>Memory Clock speed</b>	100-MHz SM 133-MHz DC
	<b>Engine Clock speed</b>	100 MHz
	<b>DVD-MPEG Support</b>	Color space conversion
	<b>Video Interface</b>	No
	<b>TMDS Integrated</b>	External option
	<b>DVI Flat Panel Support</b>	Yes
	<b>Dual Monitor Support</b>	Only with PCI card Not with AGP card
	<b>Quick Draw Support</b>	N/A
	<b>DCI &amp; DirectX Video Playback</b>	Active movie, Media player
	<b>MS DirectDraw Support</b>	DirectX 5/6/7
	<b>3D OGL Support (Game-Level)</b>	Yes
	<b>3D OGL professional-level support</b>	No

## Technical Specifications

Integrated Intel 3D Direct AGP with optional Graphics Performance Accelerator <i>(continued)</i>	3D OGL Support	Yes
	3D OGL professional-level support	No
	OS Support	Windows 95, Windows 98, Windows NT 4.0 and Windows 2000
	2D Acceleration Features	3 ROP bitBLT Transparent BLT Stretch BLT lines, polylines, polygons patterns, arbitrary clipping fast text rendering 8, 16, and 24 bits per pixel
	3D Acceleration Features	Triangle Setup Engine Anisotropic filtering Trilinear filtering Twin texel engines Full scene anti-aliasing Gouraud shading OpenGL support Direct 3D support
Integrated Intel 3D Direct AGP (on 810E Chipset)	Memory	4-MB Display Cache (or 8-MB equivalent performance), not upgradable
	Resolution (maximum)	1280 x 1024
	Colors Supported	16.7M
	Refresh Rate	85 Hz
	Acceleration	ROP biBLT, Line Draw, Text, Color Expansion, Basic Video Color, conversion and Scaling, Triangle Setup Engine
NVIDIA M64 Pro 32-MB AGP Graphics	Form Factor	ATX
	Bus Type	AGP4X
	Standard Memory	32-MB SDRAM 143 MHz 4M x 16
	Upgradable To	Not upgradable
	DAC Speed	300 MHz
	Maximum Resolution	1600 x 1200 x 8 @ 75 Hz
	Data Path Width	64 bit
	Memory Width	64 bit
	Memory Clock speed	143 MHz
	Engine Clock speed	133 MHz
	DVD-MPEG Support	MPEG1 and MPEG2
	Video Interface	VIP connector
	TMD5 Integrated	No
DVI Flat Panel Support	No	

## Technical Specifications

NVIDIA M64 Pro 32-MB AGP Graphics (continued)	Dual Monitor Support	Only with PCI card
	Quick Draw Support	Yes
	DCI & DirectX Video Playback	Yes
	MS DirectDraw Support	DirectX 5/6/7
	3D OGL Support (Game-Level)	Yes
	3D OGL professional-level support	No
	OS Support	Windows 95, Windows 98, Windows NT 4.0 and Windows 2000
	2D Acceleration Features	3 ROP bitBLT Transparent BLT Stretch BLT lines, polylines, polygons patterns, arbitrary clipping fast text rendering 8, 16, and 24 bits per pixel
	3D Acceleration Features	Triangle Setup Engine Anisotropic filtering Trilinear filtering Twin texel engines Full scene anti-aliasing Gouraud shading OpenGL support Direct 3D support
	NVIDIA M64 Pro 16-MB AGP Graphics	Form Factor
Bus Type		AGP4X
Standard Memory		16-MB SDRAM
Upgradable To		Not upgradable
DAC Speed		300 MHz
Maximum Resolution		1600 x 1200 x 8 @ 75 Hz
Data Path Width		64 bit
Memory Width		64 bit
Memory Clock speed		143 MHz
Engine Clock speed		133 MHz
DVD-MPEG Support		MPEG1 and MPEG2
Video Interface		VIP connector
TMDS Integrated		No
DVI Flat Panel Support		No
Dual Monitor Support		Only with PCI card
Quick Draw Support		Yes
DCI & DirectX Video Playback		Yes
MS DirectDraw Support	DirectX 5/6/7	

## Technical Specifications

NVIDIA M64 Pro 16-MB AGP Graphics <i>(continued)</i>	3D OGL Support (Game-Level)	Yes
	3D OGL professional-level support	No
	OS Support	Windows 95 Windows 98 Windows NT 4.0 Windows 2000
	2D Acceleration Features	3 ROP bitBLT Transparent BLT Stretch BLT lines, polylines, polygons patterns, arbitrary clipping fast text rendering 8, 16, and 24 bits per pixel
	3D Acceleration Features	Triangle Setup Engine Anisotropic filtering Trilinear filtering Twin texel engines Full-scene anti-aliasing Gouraud shading OpenGL support Direct 3D support
NVIDIA Vanta LT 8-MB AGP Graphics	Form Factor	Low-profile ATX
	Bus Type	AGP2X
	Standard Memory	8-MB SDRAM
	Upgradable To	Not upgradable
	DAC Speed	250 MHz
	Maximum Resolution	1600 x 1200 x 7 @ 75 Hz
	Data Path Width	128 bit
	Memory Width	64 bit
	Memory Clock speed	100 MHz
	Engine Clock speed	100 MHz
	DVD-MPEG Support	CSC. IDCT
	Video Interface	No
	TMDS Integrated	No
	DVI Flat Panel Support	No
	Dual Monitor Support	Only with PCI card
	Quick Draw Support	Yes
	DCI & DirectX Video Playback	Yes
	MS DirectDraw Support	DirectX 5/6/7

## Technical Specifications

NVIDIA M64 Pro 32-MB AGP Graphics <i>(continued)</i>	3D OGL Support (Game-Level)	Yes
	3D OGL professional-level support	No
	OS Support	Windows 95 Windows 98 Windows NT 4.0 Windows 2000
	2D Acceleration Features	3 ROP bitBLT Transparent BLT Stretch BLT lines, polylines, polygons patterns, arbitrary clipping fast text rendering 8, 16, and 24 bits per pixel
	3D Acceleration Features	Triangle Setup Engine Anisotropic filtering Trilinear filtering Twin texel engines Full scene anti-aliasing Gouraud shading OpenGL support Direct 3D support
NVIDIA Vanta 16-MB AGP Graphics	Form Factor	1/2 size (low profile ) ATX
	Bus Type	AGP 4X
	Memory Support	16 MB SDRAM (64-bit frame buffer interface)
	Memory Clock	125 MHz
	RAMDAC	250 MHz
	Internal Clock	100 MHz
	Data Path	64-bit
	Process	0.22 $\mu$
	Pipelines	2 (bilinear)
	Fill Rate	200 M pixels/s
	Triangle Rate	8 M Triangles/s
	Video Overlay Filter	2x2
	MPEG Support (software)	CSC.IDCT
	Color Space Conversion	Yes
	Scaling	Yes
	Feature Connector	VIP connector on AGP cards
	Quick Draw Support	Yes
	DCI & DirectX Video Playback	Yes
	Microsoft DirectX Support	Yes
	3D Support	Yes



### Technical Specifications

NVIDIA Vanta 16-MB AGP Graphics (continued)	<b>Engine Acceleration</b>	Basic Video Color Conversion and Scaling 100% hardware triangle setup engine
	<b>Dual Monitor Support</b>	Only with additional PCI controller
	<b>OS Support</b>	Windows 98/95, Windows 2000, Windows NT 4.0
	<b>Other</b>	Optimized for Direct3D acceleration with support for DirectX 5.0 and 6.0 128-bit TwiN-Textel (TNT) architecture 2 texture mapped, lit pixels per clock Single pass multi-texture rendering 32-bit rendering with destination alpha 24-bit Z-buffer, 8-bit stencil buffer Anisotropic filtering (better than Tri-Linear MIP-mapping) High-performance, 128-bit 2D/GUI/DirectDraw Acceleration. Transparent BLT, stretch BLT, points, lines, polylines, polygons, fills, patterns, arbitrary clipping and fast text rendering. Pipe-line optimized for multiple color depths including 8, 16, and 24 bits per pixel Video acceleration for DirectShow, MPEG-1, MPEG-2 and Indeo Fast 32-bit VGA/SVGA Triple 8-bit, 250-Hz Palette DAC Bi-directional Media Port and CCIR-656 Video Capture Port (for AGP AIB only)

Resolutions Supported	Colors	Real-time 3D Gouraud Shading	Refresh Rates
1920 x 1200	256, 65K, 16.7M	256, 65K	60 to 75 Hz (vertical sync) depending on color depth
1920 x 1080	256, 65K, 16.7M	256	60 to 85 Hz (vertical sync) depending on color depth
1600 x 1200	256, 65K, 16.7M	256	60 to 85 Hz (vertical sync) depending on OS and color depth
1280 x 1024	256, 65K, 16.7M	256, 65K	60 to 100 Hz (vertical sync), 64 to 107 kHz (horizontal sync)
1152 x 864	256, 65K, 16.7M	256, 65K	60 to 85 Hz (vertical sync) depending on color depth
1024 x 768	256, 65K, 16.7M	256, 65K, 16.7M	60 to 85 Hz (vertical sync)
800 x 600	256, 65K, 16.7M	256, 65K, 16.7M	60 to 85 Hz (vertical sync)
640 x 480	256, 65K, 16.7M	256, 65K, 16.7M	60 to 85 Hz (vertical sync)

Integrated Intel Audio (speakers sold separately)	<b>Card Type</b>	Integrated
	<b>Plug and Play</b>	Yes
	<b>Stereo Codec</b>	Yes
	<b>OPL3 FM Synthesis</b>	Yes
	<b>Sound Blaster Compatibility</b>	Yes
	<b>Ports</b>	Microphone-in (10-Kohm Minimum) Line-in (10-Kohm Minimum) Headphone/Line-out (16-ohm Minimum)
	<b>Sampling</b>	7 kHz to 48 kHz
	<b>Compression</b>	ADPCM, ESPCM
	<b>OS support</b>	Windows NT 4.0 Windows 95 Windows 98 Windows 2000
	<b>Wavetable Syntheses (software)</b>	Yes

## Technical Specifications

Sound Blaster Audio PCI 128 Sound Card	Card Type	PCI	
	Plug and Play	Yes	
	Stereo Codec	Yes	
	OPL3 FM Synthesis	128 WaveTable Synthesizer	
	Compatibility	Sound Blaster Sound Blaster Pro Full DOS Game Compatibility	
	Ports	Microphone-in (10 Kohm) Line-in (10 Kohm) Line-out/Headphone-out (33 ohm) (Note: Line-out cannot drive external passive speakers.) Joystick/MIDI CD In TAD TV Tuner	
	Sampling	48 kHz	
	Compression	ADPCM, CCITT A-law, CCITT u-law	
	OS support	Windows NT 4.0 Windows 95 Windows 98 DOS	
	Wavetable Syntheses (software)	Yes	
	3D Positional Sound	Yes	
	Standard 10/100 PCI NIC with WOL	Connectors	RJ-45
		Expansion Bus Architecture	PCI 2.2
Network Transfer Rate		10Base-T (Half-Duplex) 10 Mb/s 10Base-T (Full-Duplex) 20 Mb/s 100Base-TX (Half-Duplex) 100 Mb/s 100Base-TX (Full-Duplex) 200 Mb/s	
Standards Compliance		IEEE 802.3 (10 Mb/s Ethernet) IEEE 802.3u (100 Mb/s Ethernet)	
OS Driver Support		NetWare 3.x and 4.x server drivers, Windows for Workgroups V3.11, Windows 98, Windows 2000, Windows NT 3.5x and 4.0, LINUX, OS2 Warp 4.0 Free BSD	
Remote Wakeup		Yes (WAKE signal)	
Proactive Alert Technology		No	
Boot PROM support		Yes with optional ROM (PXE, RPL)	
F12 BIOS Support		Yes with optional ROM	
Environmental Requirements			
Operating			
Temperature		32° to 131° F/0° to 55° C	
Humidity (non-condensing)		10% to 90%	

## Technical Specifications

Standard 10/100 PCI NIC  
with WOL (continued)

Altitude

---

**Non-operating**

Temperature

Humidity (non-condensing)

Altitude

---

Intel PRO/100+  
Management Adapter

**Connectors**

RJ-45

---

**Expansion Bus Architecture**

PCI 2.2

---

**Network Transfer Rate**

10Base-T (Half-Duplex) 10 Mb/s  
10Base-T (Full-Duplex) 20 Mb/s  
100Base-TX (Half-Duplex) 100 Mb/s  
100Base-TX (Full-Duplex) 200 Mb/s

---

**Standards Compliance**

IEEE VLAN Support (802.1A)  
IEEE 802.2  
IEEE 802.3 & IEEE 802.3u  
(100-Mb/s Ethernet)  
IEEE Intel Priority Packet (801.1p)

---

**OS Driver Support**

Microsoft Windows NT 3.51 and 4.0  
Microsoft Windows 98 and  
2000 Beta Novell Netware 3.11,  
3.12 and 4.1x,  
5 Server Sunsoft Solaris™  
SCO UnixWare  
OpenDesktop  
OpenServer

---

**Remote Wakeup**

Yes, (PME Number and WAKE signals) - no cable  
required on 815 chipset platforms

---

**Proactive Alert Technology**

Yes, alert on LAN (transmit functionality only) requires  
management console software such as HP OpenView. It  
also requires alert utilities for the management console,  
proxy client software, client configuration software.

---

**Boot PROM support**

Yes, Intel PRO/100 Boot Agent ( PXE 2.0, RPL)

---

**F12 BIOS Support**

Yes

---

**Environmental Requirements**

**Operating**

Temperature

32° to 131° F/0° to 55° C

Humidity (non-condensing)

85% at 131° F/55° C

Altitude

10,000 ft/3,048 m

---

**Non-operating**

Temperature

32° to 131° F/-40° to 70° C

Humidity (non-condensing)

Altitude

5,000 ft/15,240 m

---

### Technical Specifications

<b>Lucent V.90 56K PCI Win Modem</b>	<b>Data Transmission</b>	V.90/K56flex technology speeds: 56,000 Kb/s maximum downstream data; controllerless
	<b>Data Speeds</b>	(upload only): 33,600; 31,200; 28,800; 26,400; 21,600; 19,200; 16,800; 14,400; 12,000; 9600; 7200; 4800; 2400; 1200; and 300 b/s
	<b>Data Standards</b>	ITU V.90, ITU-T, V.34, V.32 (bis), V.22bis, V.22, V.21, V.23, and Bell 212A, and Bell 103.
	<b>Fax speeds</b>	14400; 12000; 9600; 7200; 4800; 2400; 1200; 300 b/s
	<b>Fax mode capabilities</b>	Group 3 FAX: V.17, V.29, V.27ter, and V21 Channel 2., Class 1 interface, TIA/EIA-578
	<b>Error Correction and Data Compression</b>	ITU-T recommended V.42 error correction, V.42 error correction (LAPM and MNP), V.42bis and MNP Class 5 data compression, ITU-T V.42bis data compression
	<b>Power Management</b>	APM and ACPI states D0, D1, D2, and D3, Meets PCI 2.2 requirements and PC 99 requirements
	<b>Upgradability</b>	Software driver upgradable for future enhancements
	<b>Video</b>	ITU-T V.80 video ready interface
	<b>Other</b>	TIA/EIA 602 standard AT command set  Built-in DTE interface with speeds up to 115.2 Kb/s, parallel 16550a UART-compatible interface Optional Ring wake signal
	<b>Operating temperature</b>	32° to 104° F/0° to 40° C
	<b>Operating humidity</b>	20% to 80%, non-condensing
	<b>Operating System Driver Support</b>	Microsoft Windows 98, 98SE, NT4.0, Windows 2000, Windows Millennium Edition
	<b>Warranty</b>	Product takes on the warranty of the Desktop in which they are installed.
<b>Compatibility</b>	Deskpro EX Series	

### Technical Specifications

<b>Conexant 90 56K PCI Modem</b>	<b>Data Transmission</b>	V.90/K56flex technology speeds: 56,000 controllerless
	<b>Data Speeds</b>	(download only): 33,600; 31,200; 28,800; 26,400; 21,600; 19,200; 16,800; 14,400; 12,000; 9600; 7200; 4800; 2400; 1200; and 300 b/s
	<b>Data Standards</b>	ITU-T V.90, K56flex, V.34 (33.6 Kb/s), V.32 bis, V.32, V.22 bis, V.22, V.23, and V.21; Bell 212A and 103, V.42 LAPM and MNP 2-4 error correction, V.42 bis and MNP 5 data compression, V.250 (ex V.25 ter) and V.251 (ex V.25 ter Annex A) commands
	<b>Fax speeds</b>	V.22 bis, V.22, V.23, and V.21; Bell 212A and 103
	<b>Fax mode capabilities</b>	ITU-T V.17, V.29, V.27 ter, and V.21 channel 2
	<b>Error Correction and Data Compression</b>	V.42 bis and MNP 5 data compression
	<b>Power Management</b>	Conforms to PCI Bus Power Management Specification, Rev. 1.1, ACPI Power Management Registers, APM support, PME number support
	<b>Upgradability</b>	Firmware upgradable for future enhancements
	<b>Video</b>	V.80 synchronous access mode supports host-controlled
	<b>Other</b>	Music on hold from host or analog hardware input, TAM support with concurrent DTMF detect, ring detect and caller ID, V.80 synchronous access mode supports host-controlled communication protocols, H.324 interface support, V.8/V.8bis and V.251 (ex V.25 ter Annex A) commands, Full-duplex Speakerphone (FDSP) Mode (SP model), telephone handset interface, external microphone and speaker interface, microphone gain and muting, speaker volume control and muting, adaptive acoustic, line, and handset echo cancellation, loop gain control, transmit and receive path AGC, Data/Fax/Voice call discrimination, multiple country support, call progress, blacklisting, single profile stored in host
	<b>Operating temperature</b>	32° to 158° F/0° to 70° C
	<b>Operating humidity</b>	10% to 90%, non-condensing
	<b>Power Dissipation</b>	Active 1.2W Passive 130mW
	<b>Operating System Driver Support</b>	Microsoft Windows 98, 98SE, NT4.0, Windows 2000, Windows Millennium Edition
<b>Warranty</b>	Product takes on the warranty of the Desktop in which they are installed.	
<b>Compatibility</b>	Deskpro EX Series	

#### Compaq PCs use genuine Microsoft® Windows®

[www.microsoft.com/piracy/howtotell](http://www.microsoft.com/piracy/howtotell)

Compaq, Deskpro, registered United States Patent and Trademark Office.

Intel, the Intel Inside Logo, and Pentium are registered trademarks of Intel Corporation.

Microsoft, MS, Windows and Windows NT are registered trademarks of the Microsoft Corporation in the U.S. and other countries.

Other product names mentioned herein may be trademarks and/or registered trademarks of their respective companies.

©2001 Compaq Computer Corporation.