

Compaq Presario 6000A, 6000T, 6000xx, and 6100xx Series Desktop

Illustrated Parts Map

Compaq Presario Desktop Family of Personal Computers
Microtower Models, Pentium Processors



COMPAQ

© 2002 Compaq Information Technologies Group, L.P.

Compaq, the Compaq logo, and Presario are trademarks of Compaq Information Technologies Group, L.P.

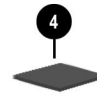
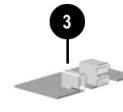
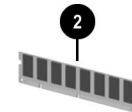
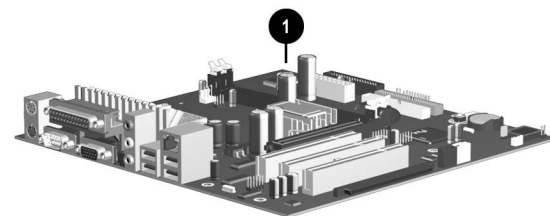
Intel, Celeron, and Pentium are trademarks of Intel Corporation in the United States and other countries.

All other product names mentioned herein may be trademarks of their respective companies.

Compaq shall not be liable for technical or editorial errors or omissions contained herein. The information in this document is provided "as is" without warranty of any kind and is subject to change without notice. The warranties for Compaq products are set forth in the express limited warranty statements accompanying such products. Nothing herein should be construed as constituting an additional warranty.

June 2002

Document Part Number 292303-001



Standard and Optional Boards

1	System board for Intel processor, with thermal grease	287938-xxx
---	---	------------

Memory Modules

2	128 MB RAM, DDR	237121-xxx
*	256 MB RAM, DDR	237122-xxx
*	512 MB RAM, DDR	257526-xxx
*	1 GB RAM, DDR	286403-xxx

Front I/O board kit - USB and 1394, includes: 289580-xxx

3	I/O board (287432-003)	
*	USB Cable assembly (245151-003)	
*	I/O and 1394 Cable assembly (163607-003)	

Front I/O board kit - USB only, includes: 289581-xxx

*	I/O board (287432-001)	
*	USB Cable assembly (245151-003)	

Front I/O board kit - USB, 1394, and audio, includes: 293460-xxx

*	I/O board (287432-004)	
*	USB Cable assembly (245151-003)	
*	Audio Cable assembly (245152-001)	
*	1394 Cable assembly (163607-003)	

PCI, 56 kbs Modems

*	Patriot II PCI Modem (American continent)	272360-xxx
*	Stinger PCI Modem (International use)	243560-xxx
*	Condor 2K1 PCI Modem	240381-xxx

Intel Pentium P4 Processors with Thermal Grease

4	2.53 GHz/512K cache, 533 MHz FSB	292849-xxx
*	2.4 GHz/512K cache, 533 MHz FSB	291181-xxx
*	2.26 GHz/512K cache, 533 MHz FSB	290978-xxx
*	2.4 GHz/512K cache, 400 MHz FSB	267926-xxx
*	2.2 GHz/512K cache, 400 MHz FSB	284343-xxx
*	2.0 GHz/512K cache, 400 MHz FSB	284339-xxx
*	1.9 GHz/256K cache, 400 MHz FSB	286514-xxx
*	1.8 GHz/256K cache, 400 MHz FSB	284345-xxx
*	1.7 GHz/256K cache, 400 MHz FSB	284344-xxx

Intel Celeron Processor with Thermal Grease

*	1.7 GHz/128K cache, 400 MHz FSB	293004-xxx
*	1.8 GHz/128K cache, 400 MHz FSB	300664-xxx

Graphics Controllers

*	nVIDIA M64, 32 MB memory, no TV (Brazil)	203280-xxx
*	nVIDIA P60-A00, NV11, 64 MB memory, LC TV	263480-xxx
*	nVIDIA P71, NV17, 64 MB memory, TV	267526-xxx
*	nVIDIA P73, NV17, 64 MB memory, TV	290855-xxx
*	nVIDIA P83, NV25, 128 MB memory, TV	267527-xxx
*	ATI Radeon 7000, 64 MB memory, TV	291586-xxx
*	ATI AIW Radeon 7500, 64 MB memory, NTSC	291585-xxx
*	ATI AIW Radeon 8500DV, 128 MB memory, TV	261753-xxx

Other Cards

*	1394 PCI card with 3 ports, with PME	287476-xxx
*	Sound•Blaster PCI audio card	233889-xxx
*	Audigy 6-channel audio card	280562-xxx

* Not shown

Keyboards (not illustrated)

Easy Access PS2 Keyboard 271122-xxx

Easy Access USB Smart Card Keyboard (U.S. only) 286734-xxx

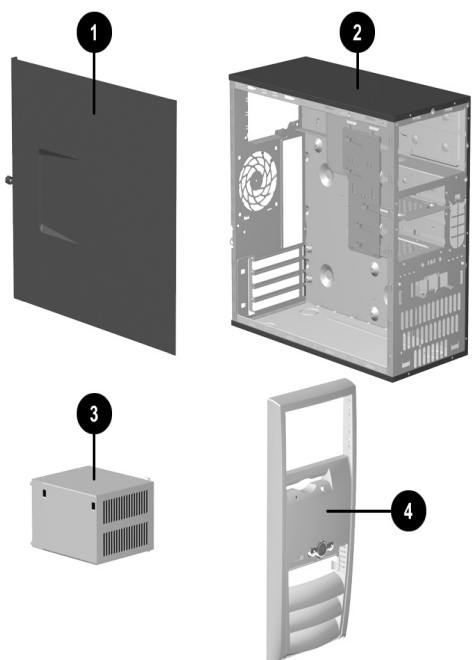
Easy Access USB Keyboard 281242-xxx

Arabic	-171	Portuguese	-131
Belgian	-181	Spanish	-071
Danish	-081	Swedish	-101
Finnish	-351	Swiss	-111
French	-051	Taiwanese	-AB1
Italian	-061	Thai	-281
International	-B31	United Kingdom	-031
Latin American Spanish	-161	U.S.	-002
Norwegian	-091	U.S.	-004
People's Republic of China	-AA1		

Legend for Dash Numbers

To determine the correct dash number for a spare part, follow the rules below:

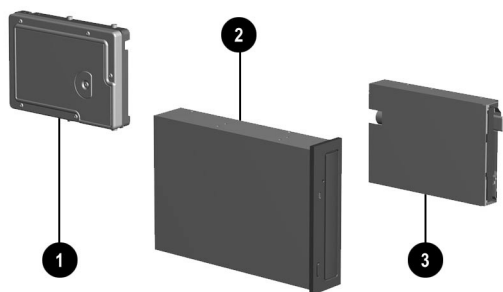
1. If the 2nd digit of the serial number is numeric, use -001.
2. If the 2nd digit of the serial number is D, use -002.
3. If the 2nd digit of the serial number is H, use -004.



System Unit

Chassis assembly, includes:		282867-xxx
1	Access panel	
2	Chassis	
3	Power supply, 220W, 12V, non-PFC	289768-xxx
*	Power supply, 220W, 12V, PFC	289769-xxx
4	Front bezel assembly (see <i>Miscellaneous Parts</i>)	282098-xxx

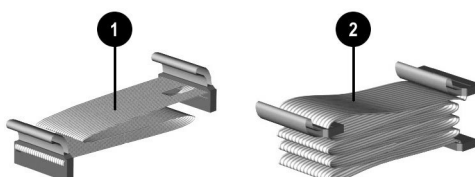
* Not shown



Mass Storage Devices

1	120-GB, UATA, 100/7200 hard drive	248877-xxx
*	80-GB, UATA, 100/5400 hard drive	260443-xxx
*	80-GB, UATA, 100/7200 hard drive	240319-xxx
*	60-GB, UATA, 100/5400 hard drive	201527-xxx
*	40-GB, UATA, 100/5400 hard drive	173342-xxx
*	40-GB, UATA, 100/7200 hard drive	221424-xxx
*	20-GB, UATA, 100/5400 hard drive	197799-xxx
2	40/10/40X CD-RW drive, carbon	286303-xxx
*	32/10/40X CD-RW drive, carbon	266797-xxx
*	48X CD-ROM drive, carbon	278639-xxx
*	16X DVD-ROM drive, carbon	278647-xxx
*	8X/4X/2X/24X/4X R/RW DVD drive	278648-xxx
*	12X/10X/2.4X/2.4X/32X/8X R/RW DVD drive	289591-xxx
3	Diskette drive, 3.5-inch, buttonless, carbon	278644-xxx

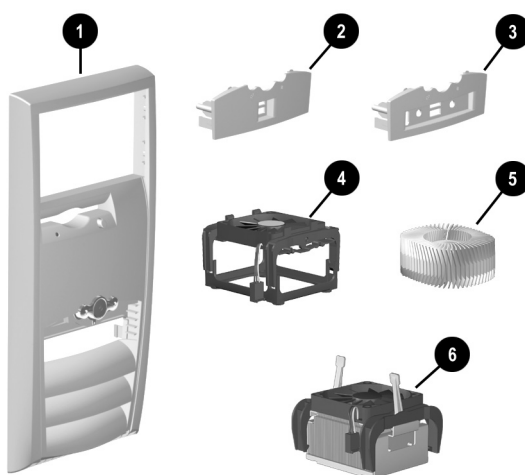
* Not shown



Cables

Miscellaneous cable kit, includes:		259967-xxx
1	Diskette drive cable (238078-005)	
2	IDE UATA dual device, hard drive/CD-ROM data cable, 15.5" (108950-024)	
*	IDE UATA dual device, hard drive/CD-ROM data cable, 18" (108950-025)	
*	Audio cable, 18" (171891-009)	
*	1394 "Y" cable (296563-003)	
*	Cable kit for AIW graphics	280567-xxx

* Not shown

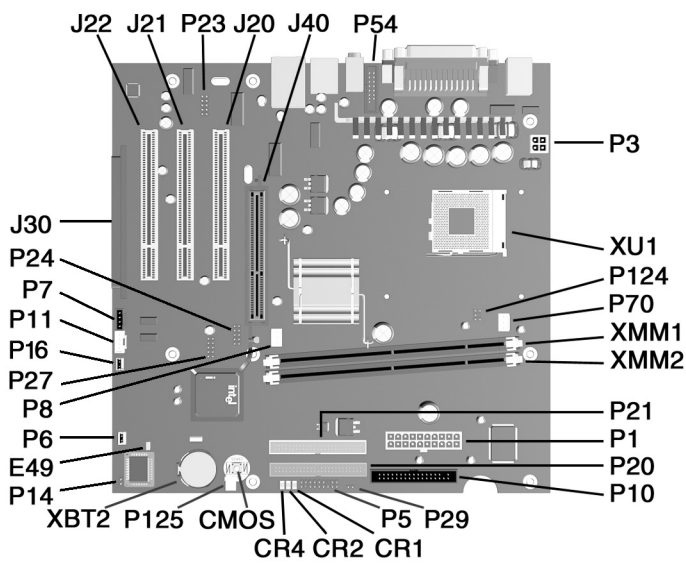


Miscellaneous Parts

1	Front bezel assembly, includes:	282098-xxx
2	Bezel, front insert, 2 USB (263946-001)	
3	Bezel, front insert, 2 USB, 2 audio, 1394 (263946-003)	
*	Heatsink assembly, Type I, includes: #	289579-xxx
4	Fan assembly with mounting base and four screws	
5	Heatsink	
*	Heatsink assembly, Type II, includes: #	300871-xxx
6	Heatsink and fan assembly with two retaining clips	
*	Heatsink mounting base and attaching screws	
*	Chassis fan	289577-xxx
*	Mouse, 2-button with ratchet wheel	279155-xxx
*	Mouse, optical	266654-xxx
*	Mouse, wireless	286735-xxx
*	Intellimouse, wireless, optical, 5-button, with ratchet wheel	291387-xxx
*	Power Switch/LED cable with switch and LEDs	287077-xxx

* Not shown

See reverse side for disassembly and more details.



System Board Connectors and Jumpers (position of some untitled components may vary in location)

CMOS	Clear CMOS	P11	Aux audio
CR1	5V Aux (ON)/PSON (OFF)	P14	Boot block
CR2	Power button (OK)	P16	Intrusion
CR4	3.3V_Aux	P20	Primary ATA
E49	Password	P21	Secondary ATA
J20	PCI Expansion slot 1	P23	Front Panel Audio header
J21	PCI Expansion slot 2	P24	Front USB
J22	PCI Expansion slot 3	P27	MultiBay
J30	PCI extension	P29	SCSI LED
J40	AGP slot	P54	COM port B header
P1	Power, main	P70	CPU fan
P3	Power, processor (VCCP12V)	P124	Hood lock
P5	Power switch/LED	P125	Hood sensor
P6	Speaker	XBT2	Battery
P7	CD audio	XMM1	DIMM 1
P8	Chassis fan	XMM2	DIMM2
P10	Diskette	XU1	Processor socket

System Hardware Interrupts

IRQ	System Function	IRQ	System Function
0	Timer Interrupt	8	Real-Time Clock
1	Keyboard	9	Unused
2	Interrupt Controller Cascade	10	Unused, available for PCI
3	Serial Port (COM B)	11	Unused, available for PCI
4	Serial Port (COM A)	12	Mouse
5	Unused, available for PCI	13	Coprocessor
6	Diskette Drive	14	Primary ATA (IDE) Controller
7	Parallel Port (LPT 1)	15	Secondary ATA (IDE) Controller

System Board Diagnostic Lights¹

Main Power Switch Status	3.3V_Aux LED	5V_Aux/PSON LED	Power Button LED
OFF ²	ON	ON ⁴	OFF
ON ³	ON	OFF ⁵	ON

1. ON and OFF state of LEDs apply only to a good, working system board with AC power applied to the power supply.
2. Power LED on front of computer is OFF.
3. Power LED on front of computer is ON (Green).
4. 5V_Aux is ONN.
5. PSON is active = power supply turned ON.

Computer LEDs

LED	Color	LED Activity	State/Message
Power	Green	On	(S0) Computer on
Power	Green	1 blink every 2 seconds	(S1) Normal Suspend Mode
Power	Green	1 blink every 2 seconds	(S3) Suspend to RAM
Power	None	Off	(S4) Suspend to Disk (if applicable)
Power	None	Off	(S5) Computer off
Power	Red	2 blinks 1 second apart, followed by 2-second pause - Repeat	CPU thermal shutdown
Power	Red	On	CPU not installed
Power	Red	1 blink every 1 second	ROM error
Power	Red	1 blink every 2 seconds	Power supply crow bar
Hard Drive	Green	Blinking	Hard drive activity

Keyboard LEDs

LED	Color	LED Activity	State/Message
Num Lock	Green	Flashing (Beeps - 1S, 2L)	Memory error
Caps Lock	Green	Flashing (Beeps - 1L, 2S)	No video
Scroll Lock	Green	Flashing (Beeps - 2L, 1S)	System board failure, prior to video
Num, Caps, Scroll Lock	Green	Flash On-Off 2 times (Beeps - 1L, 3S)	Invalid system ROM detected. ROM forces reflash.
Num, Caps, Scroll Lock	Green	On (Rising Tone)	ROM reflashed successfully
Num Lock	Green	On	ROMPaq diskette not present, is bad, or drive not ready.*
Caps Lock	Green	On	Enter password.
Num, Caps, Scroll Lock	Green	Blink On in sequence, one at a time - N, C, SL	Keyboard locked in network mode

* Insert valid ROMPaq diskette in drive A. Turn power switch off, then on to reflash ROM. If ROM flash is successful, all three keyboard LEDs will light up, and you will hear a rising tone series of beeps. Remove diskette and turn power off, then on to restart the computer. For more information about flashing the ROM, refer to the Troubleshooting guide.

Clearing CMOS*

The computer's configuration (CMOS) may occasionally be corrupted. If it is, it is necessary to clear the CMOS memory using the CMOS button.

To clear and reset the configuration, perform the following procedure:

1. Prepare the computer for disassembly.

- CAUTION:** The power cord must be disconnected from the power source before pushing the Clear CMOS Button (NOTE: All LEDs on the board should be OFF). Failure to do so may damage the system board.
2. Remove the access panel.
 3. Press the CMOS button located on the system board and keep it depressed for 5 seconds.
 4. Replace the access panel.
 5. Turn the computer on and run F10 Computer Setup (Setup utility) to reconfigure the system.

* When the CMOS button is pushed or the jumper is removed, both the power-on password and the setup password become invalid because both are stored in the configuration memory. You will need to reset the passwords.

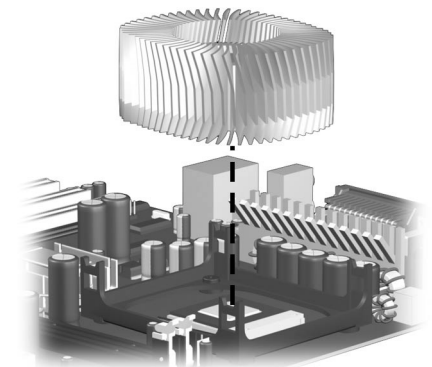
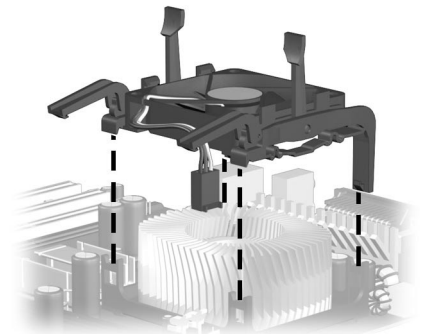
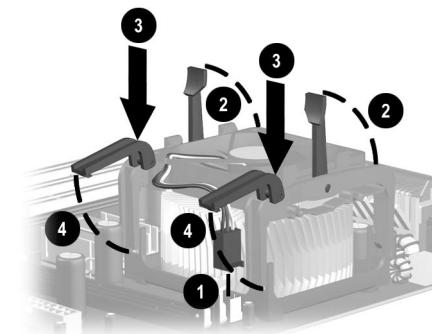
Disabling or Clearing the Power-On and Setup Passwords*

1. Turn off the computer and any external devices, and disconnect the power cord from the power outlet.
2. Remove the access panel.
3. Locate the header and jumper labeled P49.
4. Remove the jumper from pins 1 and 2. Place the jumper over pin 2 only, in order to avoid losing it.
5. Replace the access panel.
6. Plug in the computer and turn on power. Allow the operating system to start.
NOTE: Placing the jumper on pin 2 clears the current passwords and disables the password features.
7. To re-enable the password features, repeat steps 1-3, then replace the jumper on pins 1 and 2.
8. Repeat steps 5-6, then establish new passwords.

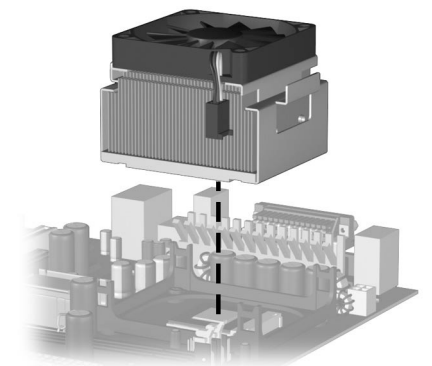
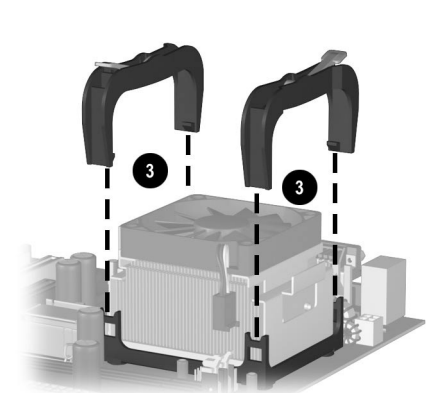
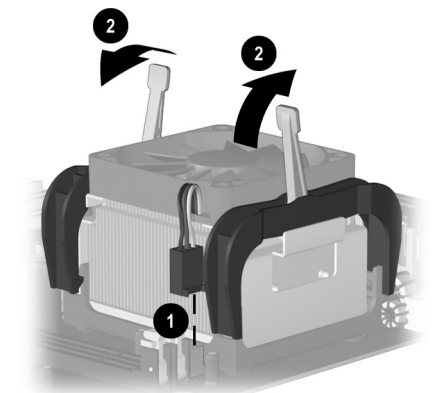
Refer to the F10 Computer Setup (Setup utility) instructions to establish new passwords.

* When the CMOS button is pushed or the jumper is removed, both the power-on password and the setup password become invalid because both are stored in the configuration memory. You will need to reset the passwords.

Type I Heatsink



Type II Heatsink



Product Configuration Codes*

KN3Z										
KPW5	KPWF	KPWG	KPWH	KPWJ	KPWQ	KPWR	KPWX	KPXK	KPX7	KPX8
KPXF										
KW39	KW3A	KW3B	KW3C	KW3D	KW3E	KW3T	KW3X	KW33	KW38	
KYBA	KYBN	KYBQ	KYBR	KYBS	KYBT	KYBU	KYBV	KYBW	KYBX	KYB9

*Serial number decoder:

xxxxAAAxxxx The center 4 characters are the Configuration Code