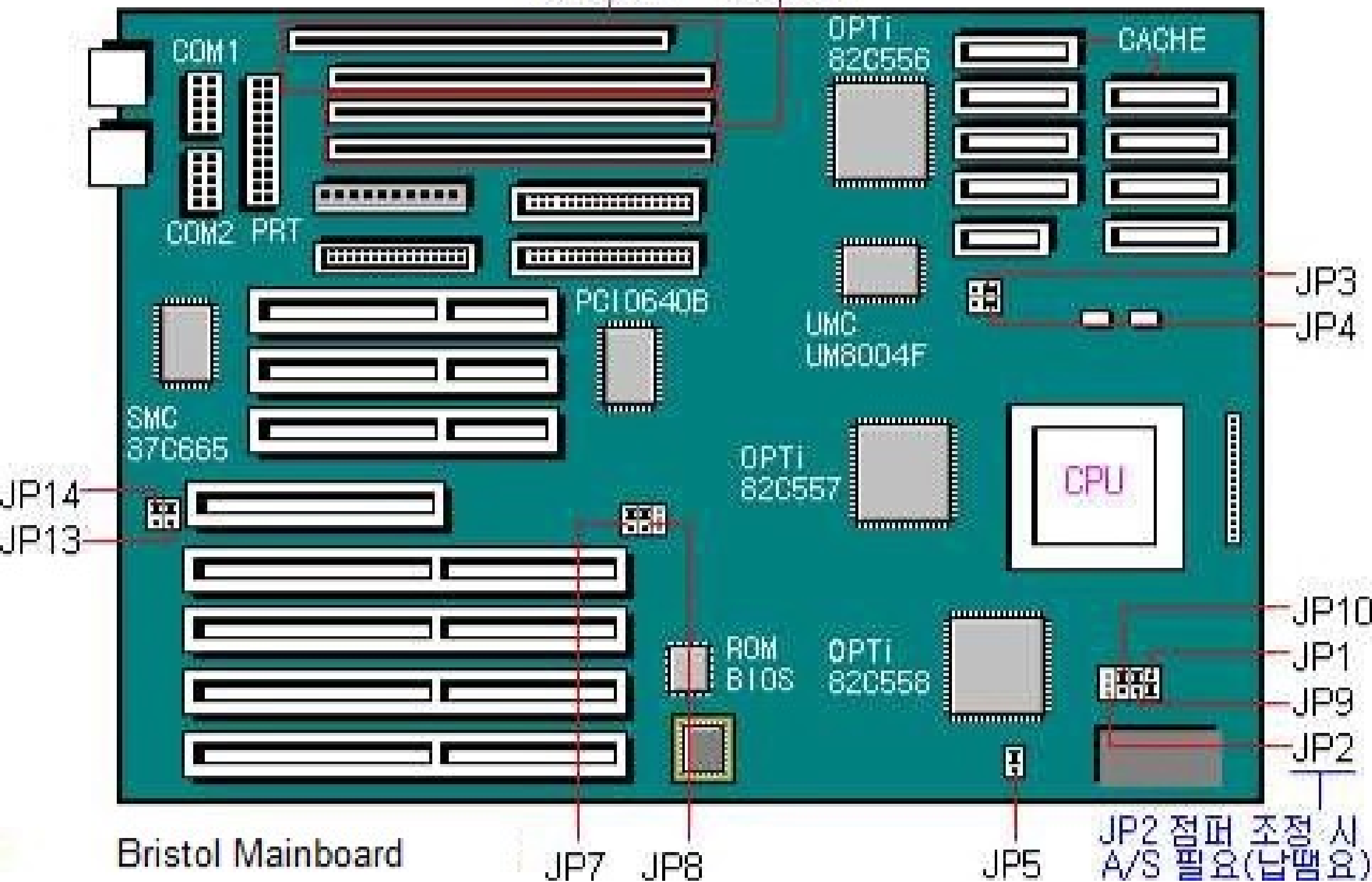


BANK 0 BANK 1



Bristol Mainboard

JP2 점퍼 조정 시
A/S 필요(납땜요)

**CPU jumper settings**

CPU clock	jumper setting		
	JP2	JP7	JP8
P54C/75 MHz (50 MHz)	1-2	1-2	1-2
P54C/90 MHz (60 MHz)	1-2	1-2	2-3
P54C/100 MHz (66 MHz)	1-2	2-3	2-3
P54C/120 MHz (60 MHz)	2-3	1-2	2-3

**General settings**

function	jumper	Mark	Contents
CPU Voltage setting	JP1	1-2	3.3V (Core Frequency: 75/90MHz)
		2-3	3.45V (Core Frequency: 100/120MHz)
CMOS RAM Clear	JP9	1-2	Normal behavior
		2-3	Clear CMOS
Set password	JP10	1-2	Enabled
		2-3	Disabled
ECP Mode DMA Settings	JP13	1-2	DERQ1 & DACK #1
		2-3	
	JP14	1-2	DERQ3 & DACK #3
		2-3	

**cache memory settings**

Volume	jumper setting	
	JP3	JP4
256 KB	2-3	2-3
512 KB	1-2	2-3
1 MB	1-2	1-2
If the cache memory is not installed, please set JP3,4: 2-3		

Memory support for BRISTOL boards

cache memory	<ul style="list-style-type: none"> • Expansion: up to 1MB • Type: 28-pin or 32-pin DIP type (treated as a socket) • Speed: 15ns
main memory	<ul style="list-style-type: none"> • Type: 72-pin SIMM module, 70ns • Socket: Provides 4 72-pin SIMM type module sockets • Capacity: 1MB, 2MB,4MB,8MB, 16MB, 32MB available • Expansion: up to 128MB

memory size	bank 0		bank 1	
	SIMM1	SIMM2	SIMM3	SIMM4
8M	2M	2M	2M	2M
	4M	4M	--	--
10M	1M	1M	4M	4M
12M	2M	2M	4M	4M
16M	4M	4M	4M	4M
	8M	8M	--	--
18M	1M	1M	8M	8M
20M	2M	2M	8M	8M
24M	4M	4M	8M	8M
32M	8M	8M	8M	8M
	16M	16M	--	--
34M	1M	1M	16M	16M
36M	2M	2M	16M	16M
40M	4M	4M	16M	16M
48M	8M	8M	16M	16M
64M	16M	16M	16M	16M
	32M	32M	--	--
66M	1M	1M	32M	32M
68M	2M	2M	32M	32M
72M	4M	4M	32M	32M
80M	8M	8M	32M	32M
96M	16M	16M	32M	32M
128M	32M	32M	32M	32M

BRISTOL MEMORY SETTINGS

cache memory settings

type:	28-pin or 32-pin DIP type (treated as a socket)
speed:	15ns
expand:	up to 1 MB

cache memory capacity

mpert	→		1 MB
JP3	2-3	1-2	1-2
JP4	2-3	2-3	1-2

If the cache memory is not installed, please set JP3,4: 2-3

main memory

type:	72-pin SIMM module
speed:	70ns
Volume:	1MB, 2MB,4MB,8MB, 16MB, 32MB available
expand:	up to 128 MB

How to install

memory size	bank 0		bank 1	
	(SIMM1)	(SIMM2)	(SIMM3)	(SIMM4)
8M	2M	2M	2M	2M
	4M	4M	--	--
10M	1M	1M	4M	4M
12M	2M	2M	4M	4M
16M	4M	4M	4M	4M
	8M	8M	--	--
18M	1M	1M	8M	8M
20M	2M	2M	8M	8M
24M	4M	4M	8M	8M
32M	8M	8M	8M	8M
	16M	16M	--	--
34M	1M	1M	16M	16M
36M	2M	2M	16M	16M
40M	4M	4M	16M	16M
48M	8M	8M	16M	16M
64M	16M	16M	16M	16M
	32M	32M	--	--
66M	1M	1M	32M	32M
68M	2M	2M	32M	32M
72M	4M	4M	32M	32M
80M	8M	8M	32M	32M
96M	16M	16M	32M	32M
128M	32M	32M	32M	32M

BRISTOL Main B/D CMOS SETUP

Press DEL KEY at bootup

Level 1	Step 2	Step 3	selection option	
Setup	Standard	Date/Time	Date and time setting	
		Floppy A	Not / 360K 5.¼/ 1.2M 5.¼ /	
		Floppy B	720KB ½ / 1.44M ½ / 2.88M ½	
		Master Disk	Not / 1~46 / User / ESDI / SCSI	
		Slave Disk		
	Advanced	Quick Boot	:On	On, Off
		Typematic Rate (Chars/Sec)	:30	Disabled, 15, 20, 30
		System Keyboard	:Present	Absent, Present
		Primary Display	:VGA/EGA	Absent, VGA/EGA, CGA
		PS/2 Mouse Support	:Enable	Disabled, Enabled
		System Boot Up Num Lock	:On	On, Off
		Floppy Drive Swapping	:Disabled	Disabled, Enabled
		System Boot Up Sequence	:A:, C:	A:, C: C:, A:
		External Cache	:Enable	Disabled, Enabled
		Internal Cache	:Enable	Disabled, Enabled
		Password Checking	:Always	Setup, , Disabled
		Video Shadow C000, 32K	:Disabled	Disabled, Enabled
		Shadow(C800,CC00,D000...), 16K	:Disabled	Disabled, Enabled
	Adv HDD	IDE Pri. Master HDD Block xfer	:Enabled	Disabled, Enabled
		IDE Pri. Master HDD LBA Mode	:Enabled	Disabled, Enabled
		IDE Pri. Master HDD 32bit xfer	:Enabled	Disabled, Enabled
		IDE Pri. Slave HDD Block xfer	:Enabled	Disabled, Enabled
		IDE Pri. Slave HDD LBA Mode	:Enabled	Disabled, Enabled
		IDE Pri. Slave HDD 32bit xfer	:Enabled	Disabled, Enabled
		Number of HDDs in 2nd Connector	:None	None/HDD(+CD)/IDE CD/2HDDs
		IDE Sec. Master HDD Block xfer	:Enabled	Disabled, Enabled
		IDE Sec. Master HDD LBA Mode	:Enabled	Disabled, Enabled
		IDE Sec. Master HDD 32bit xfer	:Enabled	Disabled, Enabled
		IDE Sec. Slave HDD Block xfer	:Enabled	Disabled, Enabled
		IDE Sec. Slave HDD LBA Mode	:Enabled	Disabled, Enabled
	Power Mgmt	Advanced Power Management	:Enabled	Disabled, Enabled
		IDE Drive Power Down in	:Enabled	Disabled, Enabled
		VESA Video Power Down in	:Standby	Disabled, Standby, Suspend, Off
		Monitor VGA Activity	:Disabled	Disabled, Enabled
		Timeout Value	:15	9, 15, 21, 27, 34, 4099
	Peripheral	Programming Mode	:Auto	Auto, Manual
		Onboard FDC	:Enabled	Disabled, Enabled
		Serial Port 1	:3F8H	Disabled, 3F8H, 3E8H
		Serial Port 2	:2F8H	Disabled, 2F8H, 2F8H
		Parallel Port	:378H	Disabled, 3BCH,378H, 278H
		OnBoard PCI Board	:Enabled	Disabled, Enabled
		Parallel Port Mode	:Normal	Normal, Extended
Parallel Extended Mode	BI-dir	Bi-dir, EPP, ECP, EPP&ECP		
Utility	DetectMaster	Automatically reduces the capacity of the hard disk drive connected to the Primary IDE connector		
	DetectSlave	Paper box (the hard drive connected to the secondary IDE connector is automatically recognized		

		without setting)
	Color Set	Sky, Army, Pastel, LCD Setup screen color selection
Security	Password	Up to 6 alphanumeric characters can be entered
	Anti-Virus	Virus protection function, write protection function to the boot sector of the hard drive
Default	Original	Corrected to the stage before the setup change
	Optimal	Automatic setting function to optimal environment (Standard, Utility, Password are not changed)
	Fail-safe	Automatically set the most stable value