

# **POS1000 & BOOK1000 with B74 M/B Installation Guide**



## **Point-of-Sale Hardware System**

482000A1  
August 2002 V1.1

1000 series include POS1000 and BOOK1000. POS1000 has a front bezel cover and a lock, while BOOK1000 does not.

## 1. Accessory



Warranty Card



Power Cable



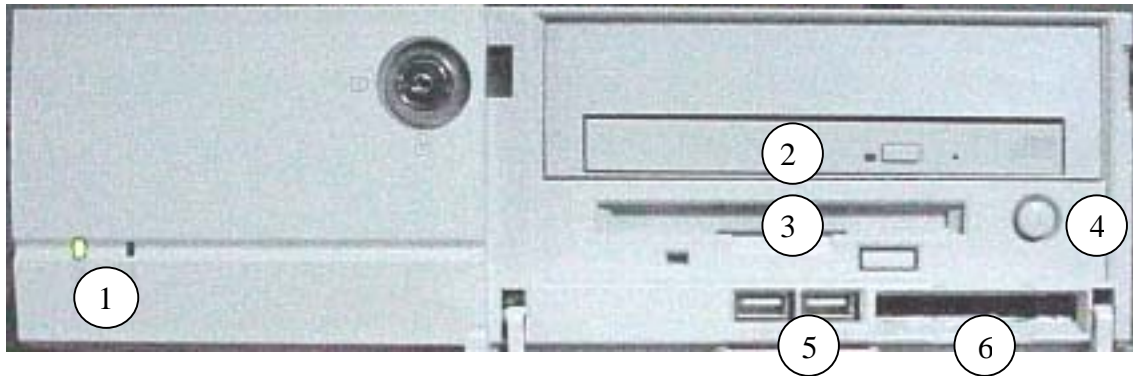
Drivers Bank

The following drivers in the folders of Driver Bank are necessary for driver installation.

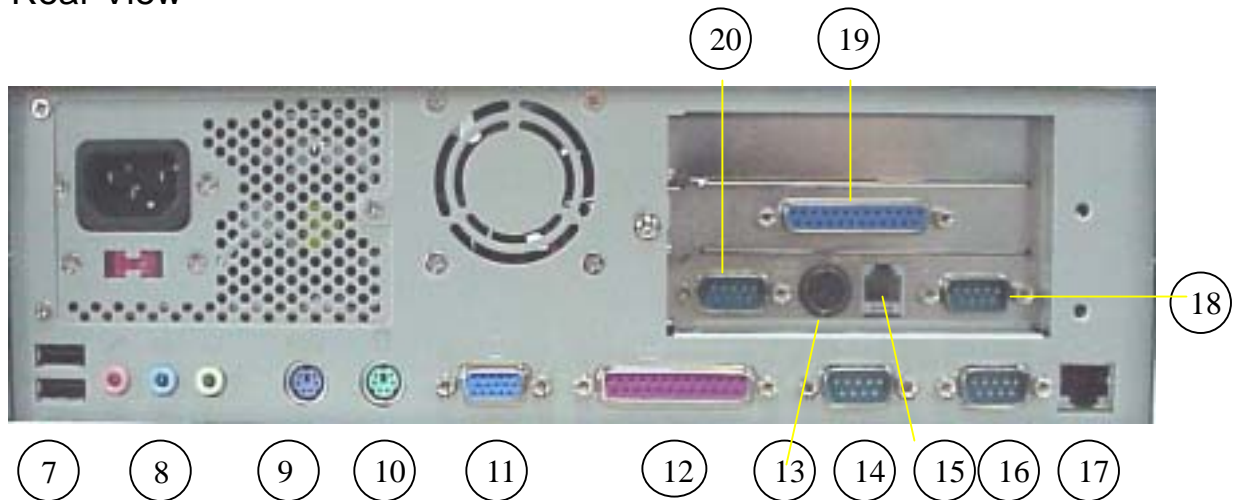
Folder	Driver	Function
Common	Acrobat	Acrobat Reader Installation
	BIOS Tool	BIOS Update Tool
	CDROMDrv	CDROM driver installation (for DOS)
	Elo_Touch	Touch screen driver Installation
	LAN_drive	LAN driver installation
	* Netmos	Enable COM5/COM6
	Smart Card	Smart Card driver installation
B74	AC97_codec_ADI	Audio driver installation
	Intel845G/GL_Chipset	Chipset initial installation
	Intel845G/GL-VGA	VGA driver installation
	USB20	USB driver installation
Test Utility	Card Reader	Card Reader Test Program
	Cash Drawer	Cash Drawer Test Program
	VFD	Customer Display Test Program

## 2.I/O Function

### 2.1 Front View



### 2.2. Rear View



#	Function	#	Function	#	Function
1	Power/HDD Indicator	8	Audio( In/Out/MIC)	15	Cash Drawer(POS)
2	CD-ROM Drive	9	PS/2 Keyboard	16	COM1
3	Floppy Disc Drive	10	PS/2 Mouse	17	LAN
4	Power Button	11	VGA	18	COM3(POS)
5	USB3/USB4(POS)	12	LPT	19	2 <sup>nd</sup> LPT(Optional)
6	Compact Flash(POS)	13	24V(POS)	20	COM4(POS)
7	USB1/USB2	14	COM2		

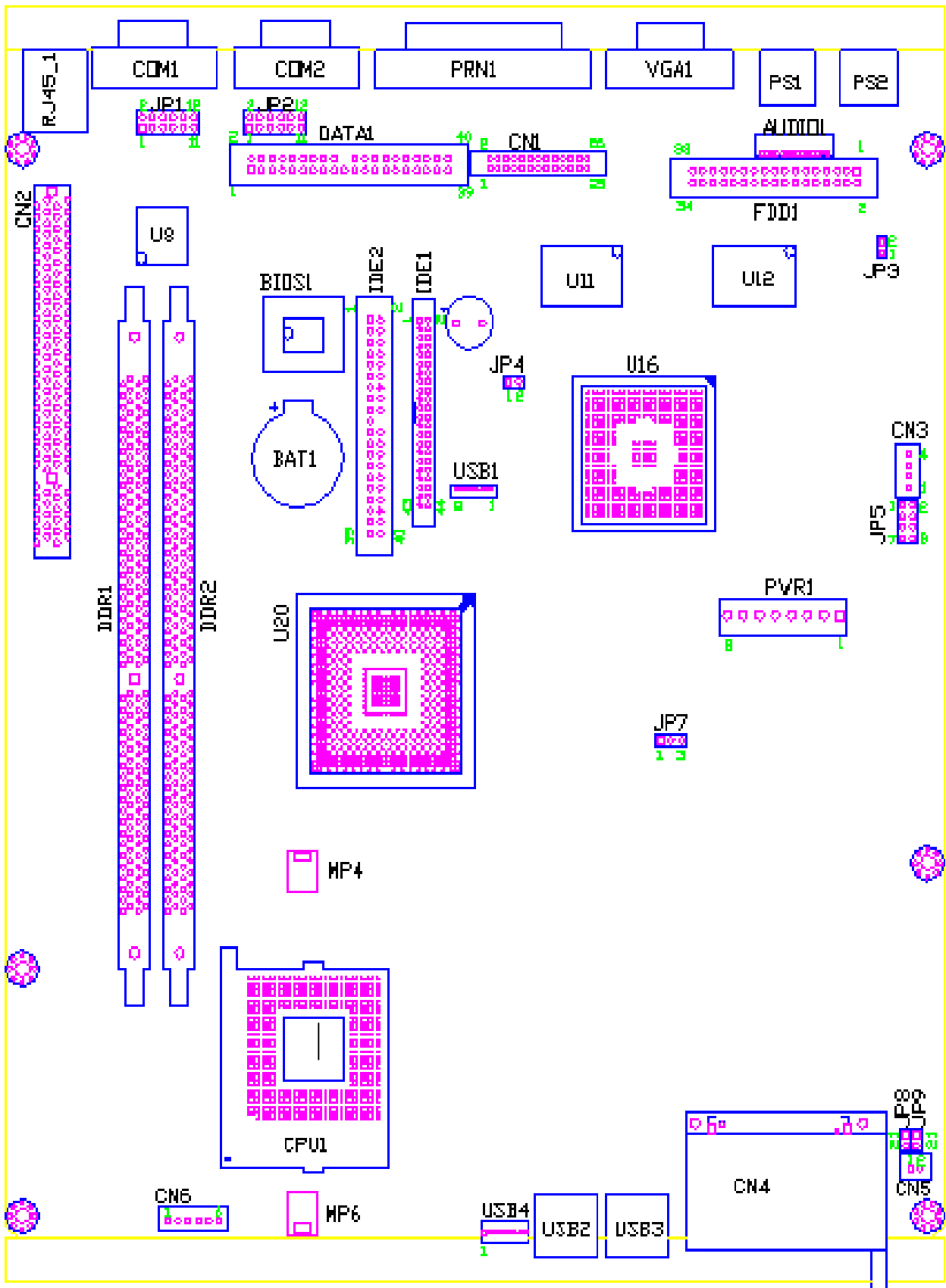
Before plug-in power cord & power on, please make sure your regional power system 110V or 220V, and set up right dip switch.

### 3. Specification

Item	Function
Motherboard	B74
Core Logic	845GL supports 400MHz FSB
CPU Processor	Intel P4 processor mP478-Pin
Memory	2 x DIMM DDR 200/266 Socket up to 2GB
BIOS	AWARD PnP 2Mbit
VGA Display	Built-in Core Logic
VGA memory	Share Memory
I/O Controller	W83627HF x 1, W83697 x1
I/O Port	<p>Rear</p> <p>2x Serial (COM1/COM2 pin1/pin9 supports 5V/ 12V) Selectable</p> <p>1x Parallel(DB25)</p> <p>2x USB support USB 2.0</p> <p>1x PS2 Keyboard</p> <p>1x PS2 Mouse</p> <p>1x Audio(MIC, Line-in, Line-out )</p> <p>1x LAN</p> <p>Front (POS)</p> <p>2x USB support USB 2.0</p> <p>1x Compact Flash socket</p>
Ethernet Controller	RTL 8100B 10/100Mb Fast Ethernet controller
Slot on board	1x 120pin PCI slot support three PCI signal for 2xPCI / LAN
Audio Controller	Built-in Core Logic, supports AC97 2.1 w/CODEC
Expansion Slot	2x PCI option 1xPCI, 1xPCI/ISA Riser card w/DOC socket
Storage Device	<p>1x3.5" FDD</p> <p>Option 1x3.5" HDD</p> <p>Option 1x 5.25" Slim CD-ROM,CD-RW, DVD ROM</p>
Wake on	Support WOL(Wake on LAN) & WOR(Wake on Ring)
I/O Board (POS)	COM3/COM4 pin1/9 support +5V/+12V selectable, Cash Drawer, 24V DC
2nd Parallel Port Bracket	Optional
Power Supply	FT-8016B 160W ATX
Operation Temperature	5°– 40°C
EMI/EMS	FCC/CE Class A
Dimension	300(W) x 320(D) x 90(H) mm

## 4. Jumper Setting

### 4.1 Location of Main Board



#### 4.1.1 COM 1 Power Selection

Default Setting:\*

Pin	Function	JP1
1	*DCDA#	1-2
	VCC	3-4
	+12V	5-6
9	*RIA#	7-8
	VCC	9-10
	+12V	11-12

#### 4.1.2 COM 2 Power Selection

Pin	Function	JP2
1	*DCDB#	1-2
	VCC	3-4
	+12V	5-6
9	*RIB#	7-8
	VCC	9-10
	+12V	11-12

#### 4.1.3 AC97 Audio Enable/Disable

Function	JP3
*Enable	OFF
Disable	ON

#### 4.1.4 CMOS Operation mode

Function	JP4
*CMOS Normal	OFF
CMOS Reset	ON

#### 4.1.5 Power Mode

Function	JP5
*ATX Power	1-2
	3-4
	5-6
AT Power	7-8

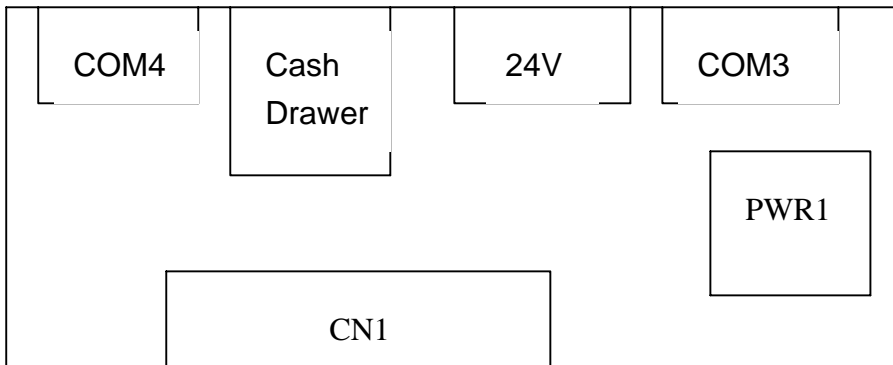
#### 4.1.6 Compact Flash Master/Slave Setting

Function	JP8
*Master	OFF
Slave	ON

#### 4.1.7 CPU Clock setting

Function	JP9
*Auto	1-2
100MHZ	2-3

## 4.2 Location of I/O Board



### 4.2.1 COM3 Power Selection

Pin	Function	JP1
1	*DCDC#	1-2
	VCC	3-4
	+12V	5-6
9	*RIC#	7-8
	VCC	9-10
	+12V	11-12

### 4.2.2 COM4 Power Selection

Pin	Function	JP2
1	*DCDD#	1-2
	VCC	3-4
	+12V	5-6
9	*RID#	7-8
	VCC	9-10
	+12V	11-12

### 4.2.3 Cash Drawer

Function	JP3
*12V	1-2
24V	2-3

### 4.2.4 Cash Drawer Port Pin Assignment

Pin	Signal	Pin	Signal
1	GND	4	12V/24V
2	200H-Bit0	5	200H-Bit1
3	201H-Bit0	6	GND

Data out address(200h)

Data in address(201h)

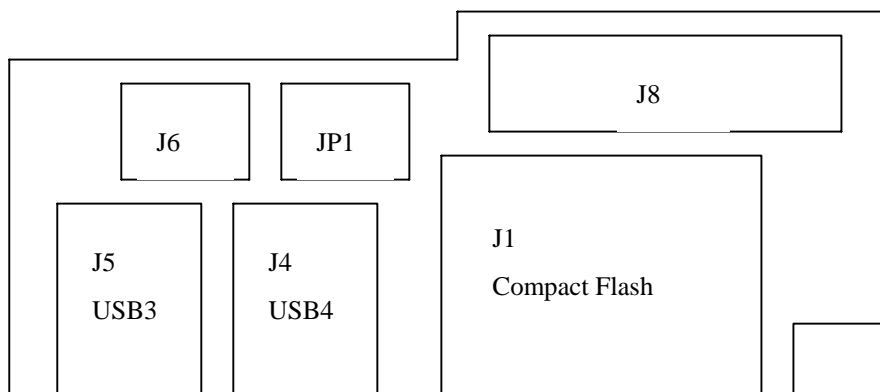
### 4.3 Optional 2nd Printer Port (Bracket)



#### 4.3.1 Printer Port Pin Assignment

#	Signal	#	Signal	#	Signal	#	Signal	#	Signal
1	STROBE-	6	DATA BIT4	11	BUSY	16	INIT-	21	GND
2	DATA BIT0	7	DATA BIT5	12	PAPER EMP	17	SLCT IN-	22	GND
3	DATA BIT1	8	DATA BIT6	13	SLCT	18	GND	23	GND
4	DATA BIT2	9	DATA BIT7	14	AUTO FEED-	19	GND	24	GND
5	DATA BIT3	10	ACK-	15	ERROR-	20	GND	25	GND

### 4.4 Daughter Board(POS1000)



#### 4.4.1 Compact Flash Master/Slave Setting

Function	JP1
Master	OFF
Slave	On