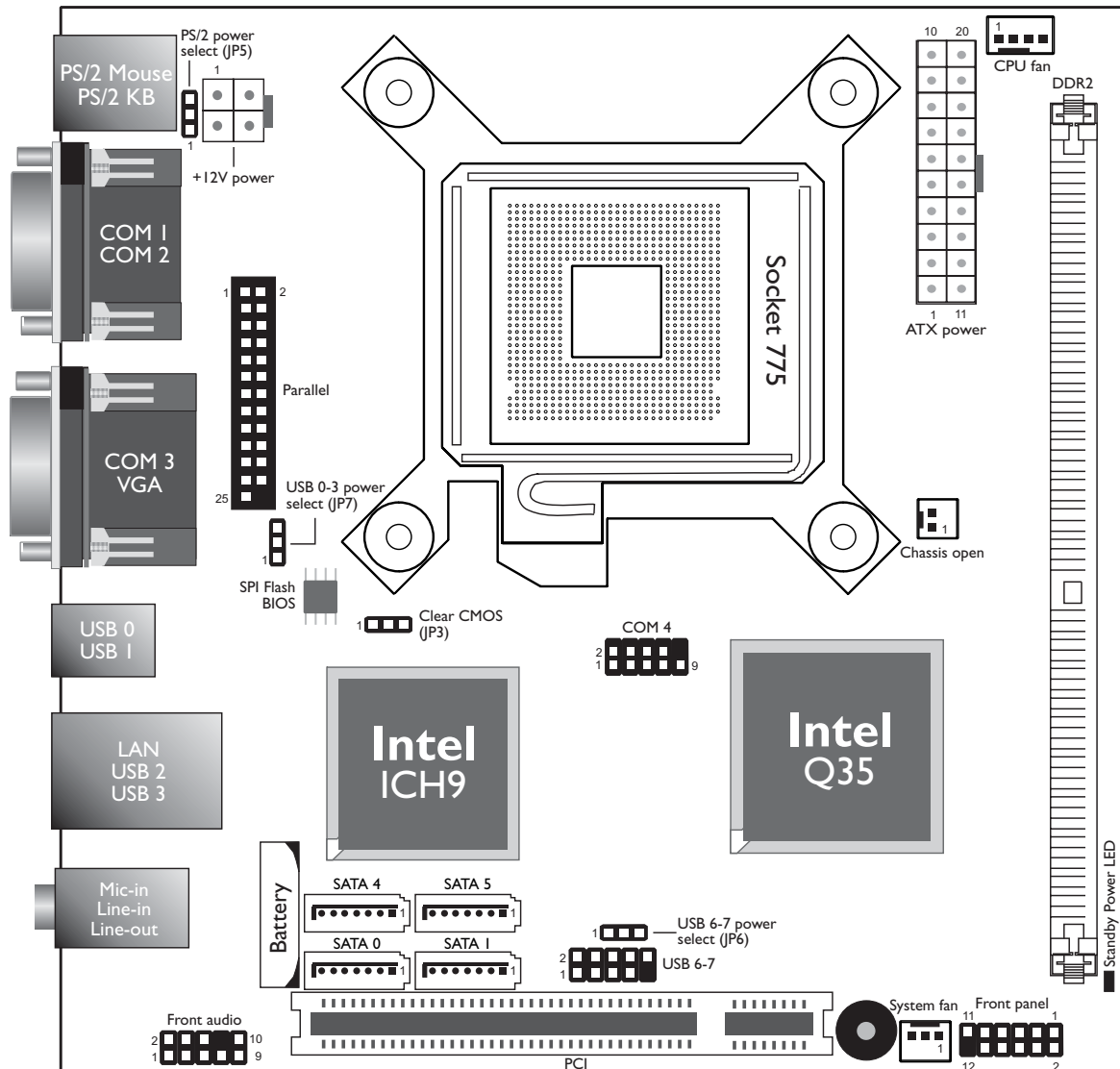


BLI00-PE



Note: We recommend using screw with metal pad type of CPU heat sink and fan.

USB Power: 0-3 (JP7), 6-7 (JP6)	
5V (d)	1-2 On
5V_standby	2-3 On
PS/2 Power	
5V (d)	1-2 On
5V_standby	2-3 On
Clear CMOS Data	
Normal (d)	1-2 On
Clear CMOS Data	2-3 On

“(d)” denotes default setting