

USER'S MANUAL

B63 MAIN BOARD

Printed in Taiwan 2000

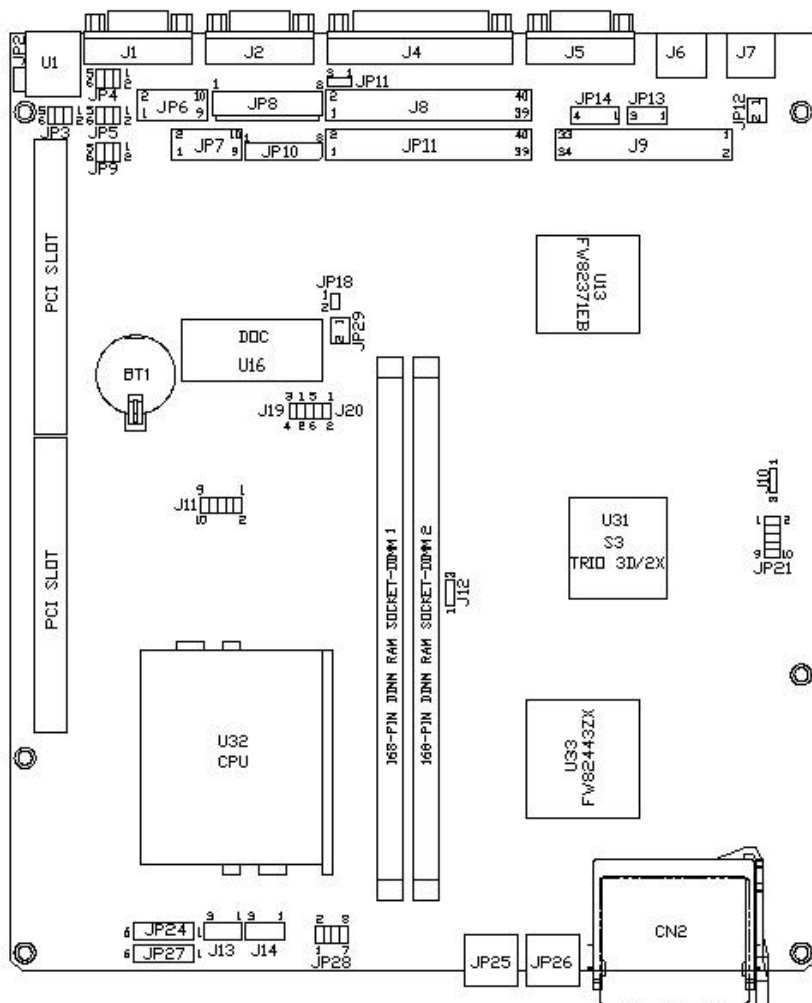
INDEX

This user's manual describes the jumper setting of B63 Main Board. For detailed technical information, please refer to CDs attached with PC system unit.

Table of Contents	Page
Technical details	
1. Jumpers location diagram for B63 main board	1
2. Memory configuration	2
3. Jumper setting	3-7

All other registered and unregistered trademarks are trademarks of their respective holders

1. Jumpers Location Diagram for "B63 V1.X " main board



2.Memory configuration for “B63 V1.X” main board

Capacity	DIMM 1	DIMM 2
16MB	16MB	none
16MB	none	16MB
32MB	16MB	16MB
32MB	32MB	none
32MB	none	32MB
80MB	16MB	64MB
80MB	64MB	16MB
64MB	64MB	none
64MB	none	64MB
128MB	64MB	64MB
128MB	128MB	None
128MB	None	128MB
256MB	128MB	128MB

- **VGA Memory Configuration.**

Capacity	U24	U25	Video DRAM Type
4MB	close	close	512KB X 32 SOP package

3. Jumper Setting

● **CPU type selection :**

CPU	Freq.	Ratio	External 1 Clock	JP21 1-2	JP21 3-4	JP21 5-6	JP21 7-8	JP21 9-10
Intel Celeron	300MHz	4.5x	66MHz	Open	Close	Open	Close	Close
Intel Celeron	333MHz	5.0x	66MHz	Open	Open	Close	Close	Close
Intel Celeron	366MHz	5.5x	66MHz	Open	Open	Open	Close	Close
Intel Celeron	400Mhz	6.0x	66MHz	Close	Close	Close	Open	Close
Intel Celeron	433Mhz	6.5x	66MHz	Close	Close	Open	Open	Close
Intel Celeron	466MHz	7.0x	66MHz	Close	Open	Close	Open	Close
Intel Celeron	500Mhz	7.5x	66MHz	Close	Open	Open	Open	Close

(Remark: All Intel CPU will defect jumper setting automatically)

● **M-System Disk On Chip: JP20, JP19**

JP20	JP19	USER ADDRESS
1-2	1-2	0C800-0C9FF (Default)
1-2	3-4	0CC00-0CDFF
3-4	1-2	0D000-0D1FF
3-4	3-4	0D400-0D5FF
5-6	1-2	0D800-0D9FF
6-5	3-4	0DC00-0DDFF

● **CMOS Operation mode: J12**

Function	J12
CMOS Normal	2-3 (Default)
CMOS Reset	1-2

● **ATX / AT power mode: JP18, J3**

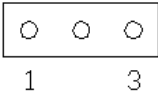
Function	JP18	J3
4000 Series 4001 FT-8050 AT Internal power supply (default)	Close	1-2

1000 Series FT-8075 AT Internal Power Supply	Close	1-2
ATX power supply	Open	2-3

● COM Port Jumper Setting

COM1 JP1	JP4 (Default)	1-2	Data Line
		3-4	+5V
		5-6	+12V
COM2 JP2	JP3	1-2	Data Line
		3-4	+5V
		5-6	+12V
COM3 JP7	JP9	1-2	Data Line
		3-4	+5V
		5-6	+12V
COM4 JP6	JP5	1-2	Data Line
		3-4	+5V
		5-6	+12V

● **Fan Connector : J13, J14 (default to use +12V Power)**

Pin Assignment	J13, J14
1	+12V
2	Ground
3	VCC
Figure	
	

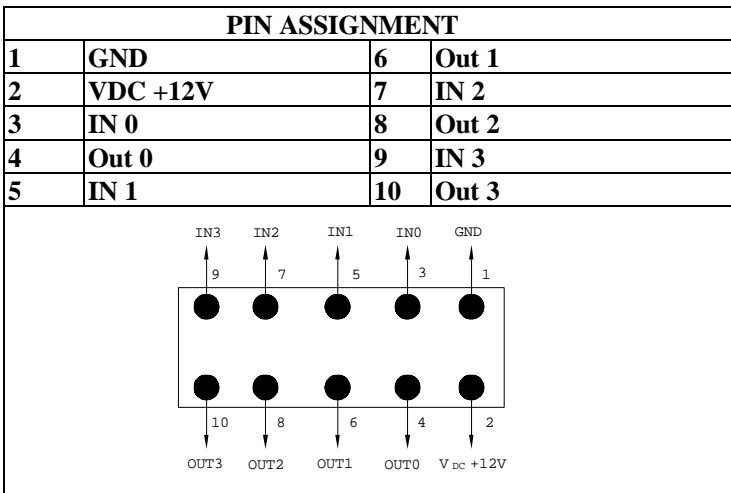
● **COMPACT FLASH POWER : JP29**
(default to use +5V Power)

Pin Assignment	JP29
Pin 1	+5V
Pin 2	Ground

● **Power Push Button: JP12**

● **Digital I/O (4 Output & 4 Input) : J11**

This main board provide the basic digital I/O signal controller, user can develop the program and extra controller to open and sense of the cash drawer based on the digital I/O function on this main board.



n Digital output programming

The output is TTL Level. The output signal must be TTL compatible.

Output	Address	Bit
Out 0	206	0
Out 1	206	1
Out 2	206	2

Out 3	206	3
Example : (‘0’ = off ‘1’ =on)		
Data 00 = Out 0 and Out 1 = ‘0’		
Data 01 = Out 0 = ‘1’		
Data 02 = Out 1 = ‘1’		
Data 03 = Out 0 and Out 1 = ‘1’		

n Digital input programming

The input signal must be TTL compatible.

Input	Address	Bit
IN 0	206	0
IN 1	206	1
IN 2	206	2
IN 3	206	3
Example : If input 206 is [0111], then input 3 is ‘0’		
 If input 206 is [0011], then input 3 & 4		
 are ‘0’		