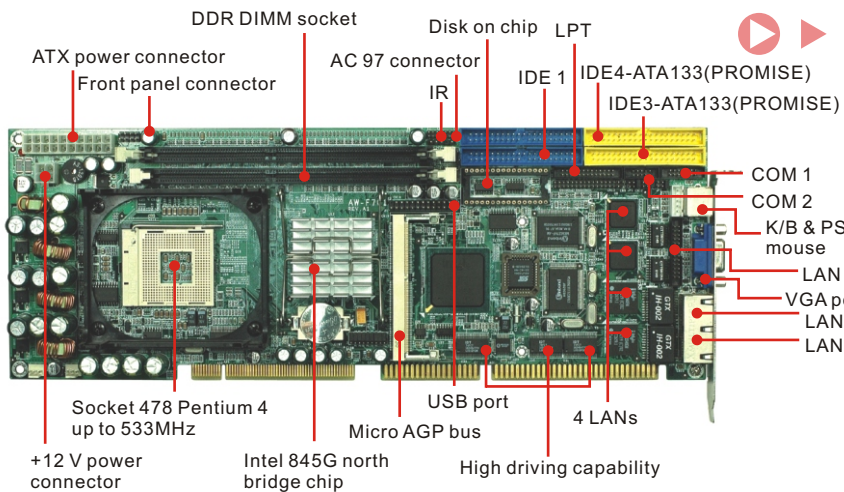


AW-F702

Intel® Pentium® 4 Full-size CPU card, with VGA/LCD, 4 LANs, IDE RAID, 6 USB, Micro AGP, High Drive & SSD



▶▶▶ Features

- ▶ Supports Intel® Socket 478 Pentium® 4 processor with 533MHz system bus
- ▶ Two 184-pin DDR DIMM sockets for DDR SDRAM to 2GB
- ▶ Micro AGP bus
- ▶ Four 32-bit PCI-bus 10/100 Mbps Ethernet interface optional for two Gigabit & two 10/100 Ethernet interface
- ▶ Supports ISA high driving capability
- ▶ IDE RAID interface; six USB 2.0 compliant ports

Specifications

General Functions	
CPU	Socket 478 Intel® Pentium® 4 processor with 533 MHz system bus
BIOS	Award® 512KB Flash BIOS
Chipset	Intel® 845G + ICH4
I/O Chipset	Winbond® 83627HF-AW
Memory	Onboard two 184-pin DDR DIMM sockets supports up to 2GB
Enhanced IDE	Supports up to four IDE devices (Ultra DMA 33/66/100)
FDD Interface	Supports 34-pin header up to two floppy disk drives
Parallel Port	One bi-directional parallel port; supports SPP/ECP/EPP modes
Serial Port	One RS-232 and one RS-232C/422/485 serial port
IR Interface	Supports one IrDA Tx/Rx header
KB/Mouse Connector	6-pin Mini-DIN connector for PC/AT keyboard & PS/2 mouse
USB Connectors	Six USB 2.0 compliant ports
Battery	Lithium battery
Watchdog Timer	Can generate a system reset; supports 1-255 second selectable timeout interval
System Monitoring	Built in W83627HF-AW, supports temperatures, fan speed and voltages monitoring
Bus Interface	PCI/ISA bus, PICMG compliant
Power Management	Supports ATX power supply, LAN wake up and modem ring-in functions
VGA Interface through Micro AGP Bus (option)	
(1)AW-VGA1	
Chipset	SMI Lynx3DM
Display Memory	Built-in 4MB/8MB for Lynx3DM SMI721
Display Type	Simultaneous supports CRT and LCD displays
(2)AW-VGA2	
Chipset	ATI mobility M6 AGP 4x, supports TMDS, LVDS, CRT, TV-out interface
Display Memory	32MB DDR embedded
Display Type	Dual independent displays (LCD/LCD, LCD/CRT, LCD/TV, CRT/TV)
AW-TV1 (option)	
TV Format	Supports NTSC, NTSC-EIA (Japan) and PAL signals format
Output Connector	Supports RCA (Composite) video and S-video connector
Ethernet Interface	
Chipset	Four Intel® 82551QM 100Base-Tx Fast Ethernet controller or two Intel® 82540EM and two Intel® 82551QM optional
Ethernet Interface	PCI 10/100/1000Mbps Ethernet controller IEEE 802.3U protocol compatible
IDE RAID Interface	
Chipset Interface	Promise PCI bus Ultra ATA/133 IDE controller, dual Ultra ATA/133 master up to four IDE devices
RAID	RAID-0 striping or RAID-1 mirroring
Sound Interface (option)	
Chipset/Interface	AC 97 codec
Audio Interface	Mic in, Line in, Speaker out and CD audio in
SSD Interface	
ISA High Drive	DiskOnChip® series up to 288MB
	ISA high driving capability up to 64mA
Mechanical and Environmental	
Power Supply Voltage	+5V(4.75V to 5.25V), +12V(11.4V to 12.6V), -12V(-11.4V to -12.6V)
Max. Power Requirements	10A@5V, 10A@+12V, 60mA@-12V(Max.)
Operating Temperature	32° to 140° F (0° to 60° C)
Board size (LxW)	338mm(L) x 122mm(W) (13.3" L x 4.8" W)

▶ Note: All specifications are subject to change without prior notice

Order Information

AW-F702I22	Intel® Pentium® 4 CPU card, with CRT, 2 GbE/ 2 x 10/100BaseT/2 USB/IDE RAID-0 or 1
AW-F702I40	Intel® Pentium® 4 CPU card, with CRT/4 x 10/100Base/2 USB/IDE RAID-0 or 1
AW-VGA2	Micro AGP VGA adapter
AW-UL1	LAN USB adapter
AC97-1881	Audio adapter