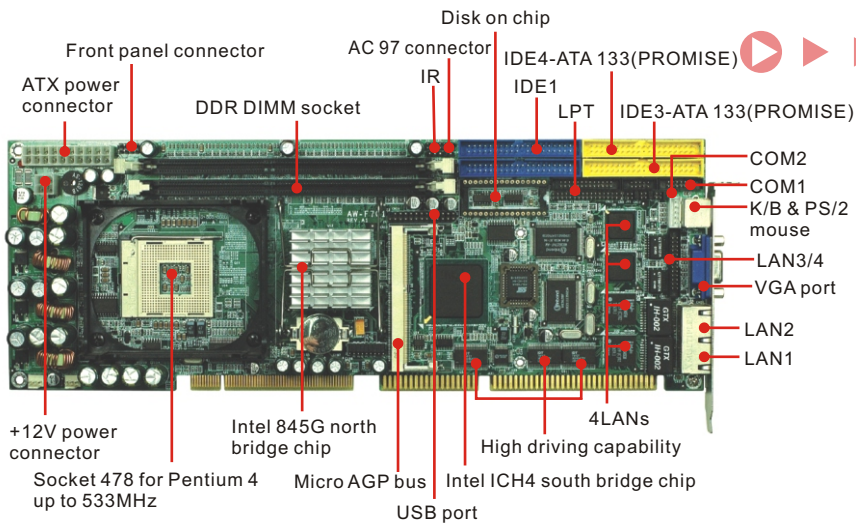


AW-F701

Intel® Pentium® 4 Full-size CPU card with VGA/LCD, 4 LANs, 6 USB, Micro AGP, High Drive & SSD



Features

- ▶ Supports Intel® Socket 478 Pentium® 4 processor with 533MHz system bus
- ▶ Two 184-pin DDR DIMM sockets for DDR SDRAM to 2GB
- ▶ Micro AGP bus
- ▶ Four 32-bit PCI-bus 10/100 Mbps Ethernet interface optional for two Gigabit & two 10/100 Ethernet interface
- ▶ Supports ISA high driving capability
- ▶ Six USB 2.0 compliant ports

Specifications

General Functions

CPU	Socket 478 Intel® Pentium® 4 processor with 533 MHz system bus
BIOS	Award® 512KB Flash BIOS
Chipset	Intel® 845G + ICH4
I/O Chipset	Winbond® 83627HF-AW
Memory	Onboard two 184-pin DDR DIMM sockets supports up to 2GB
Enhanced IDE	Supports up to four IDE devices (Ultra DMA 33/66/100)
FDD Interface	Supports 34-pin header up to two floppy disk drives
Parallel Port	One bi-directional parallel port, supports SPP/ECP/EPP modes
Serial Port	One RS-232 and one RS-232/422/485 serial ports
IR interface	Supports one IrDA Tx/Rx header
KB/Mouse Connector	6-pin Mini-DIN connector for PC/AT keyboard & PS/2 mouse
USB Connectors	Six USB 2.0 compliant ports
Battery	Lithium battery
Watchdog Timer	Can generate a system reset, supports 1-255 second selectable timeout interval
System Monitoring	Built in W83627HF-AW, supports temperatures, fan speed and voltages monitoring
Bus Interface	PCI/ISA bus, PICMG compliant
Power Management	Supports ATX power supply, LAN wake up and modem ring-in functions

VGA Interface through Micro AGP Bus (option)

(1)AW-VGA1	
Chipset	SMI Lynx3DM
Display Memory	Built-in 4MB/8MB for Lynx3DM SMI721
Display Type	Simultaneous supports CRT and LCD displays
(2)AW-VGA2	
Chipset	ATI Mobility M6 AGP 4x, supports TMDS, LVDS, CRT, TV-out interface
Display Memory	32MB DDR embedded
Display Type	Dual independent displays (LCD/LCD, LCD/CRT, LCD/TV, CRT/TV)
AW-TV1 (option)	
TV Format	Supports NTSC, NTSC-EIA (Japan) and PAL signals
Output Connector	Supports RCA (Composite) video and S-video connector

Ethernet Interface

Chipset	Four Intel® 82551QM 100Base-Tx Fast Ethernet controller or two Intel® 82540EM and two Intel® 82551QM optional
Ethernet Interface	PCI 10/100/1000Mbps Ethernet controller IEEE 802.3U protocol compatible

Sound Interface (option)

Chipset	AC 97 codec
Audio interface	Mic in, Line in, Speaker out and CD audio in

SSD Interface

SSD Interface	DiskOnChip® series up to 288MB
----------------------	--------------------------------

ISA High Drive

ISA High Drive	ISA high driving capability up to 64mA
-----------------------	--

Mechanical and Environmental

Power Supply Voltage	+5V(4.75V to 5.25V), +12V(11.4V to 12.6V), -12V(-11.4V to -12.6V)
Max. Power Requirements	10A@5V, 10A@+12V, 60mA@-12V(Max.)
Operating Temperature	32° to 140° F (0° to 60° C)
Board Size (LxW)	338mm(L) x 122mm(W) (13.3" L x 4.8" W)

▶ Note: All specifications are subject to change without prior notice

Order Information

AW-F701I40	Intel® Pentium® 4 CPU card, with CRT/4 x 10/100Base/2 USB/IDE (ATA133/100)
AW-F701I22	Intel® Pentium® 4 CPU card, with CRT, 2 x Gigabit/2 x 10/100BaseT/2 USB/IDE (ATA133/100)
AW-F701I20	Intel® Pentium® 4 CPU card, with CRT, 2 x 10/100BaseT/2 USB/IDE (ATA100)
AW-F701I10	Intel® Pentium® 4 CPU card, with CRT, 1 x 10/100BaseT/2 USB/IDE (ATA100)
AW-F701I00	Intel® Pentium® 4 CPU card, with CRT, w/o LAN/2 USB/IDE (ATA100)
AW-VGA2	Micro AGP VGA adapter
AW-UL1	LAN USB adapter
AC97-1881	Audio adapter