



Replacement Bezel Installation Instructions for DIGITAL AlphaStation™

500/255 Series System Enclosures

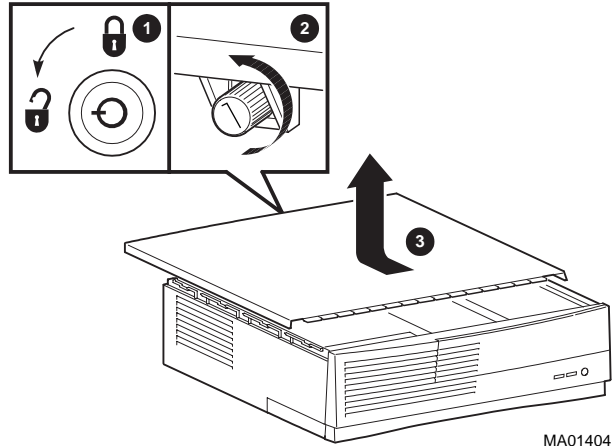
EK-ALSRE-IN. B01

What's Included: Replacement bezel, bag of filler panels, and bag of DIGITAL AlphaStation model decals.

CAUTION: Always wear a grounded wrist strap when servicing internal components of this system.

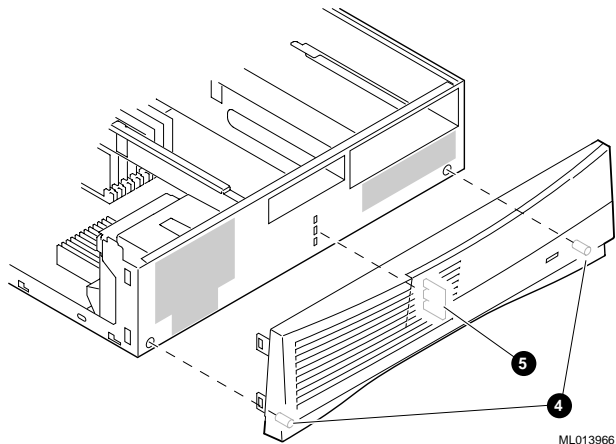
To open the system enclosure:

1. Turn off the system and all external peripheral devices.
2. Unplug the power cord from the wall outlet.
3. Wait at least 15 seconds to allow time for the power supply capacitors to fully discharge.
4. Unlock the rear panel by turning the key ❶ counter-clockwise.
5. Facing the rear of the system, remove the top cover screw ❷ with the 3/16-inch wide flat blade driver and remove the top cover. Slide cover rearward, then lift up ❸.
6. Remove the two side panels.



To install the replacement bezel:

1. Locate and remove parts bags containing filler panels and decals.
2. Remove the floppy drive tray.
3. Remove old front bezel. It is necessary to de-activate the locking tabs on the sides and in the center of the bezel before removing it.
4. Align the two locating pins ❹ and the three center tabs ❺ on the new bezel with the corresponding cut-outs in the chassis assembly.
5. Push bezel onto chassis assembly, insuring all tabs are properly engaged.



Reinstallation of components:

1. Reinstall the floppy drive tray.
2. Re-install the side panels.
3. Re-attach the top cover assembly.
4. Install the appropriate filler panels in the floppy drive bay.
5. Apply the appropriate DIGITAL AlphaStation label on the bezel in front of the CD-ROM.

April 1997

The information in this document is subject to change without notice and should not be construed as a commitment by Digital Equipment Corporation. Digital Equipment Corporation assumes no responsibility for any errors that might appear in this document. Copyright © 1997 Digital Equipment Corporation. Maynard, Massachusetts All Rights Reserved. The following are trademarks of Digital Equipment Corporation: AlphaStation, DEC, DIGITAL, and the DIGITAL logo. All other trademarks or registered trademarks are the property of their respective holders.