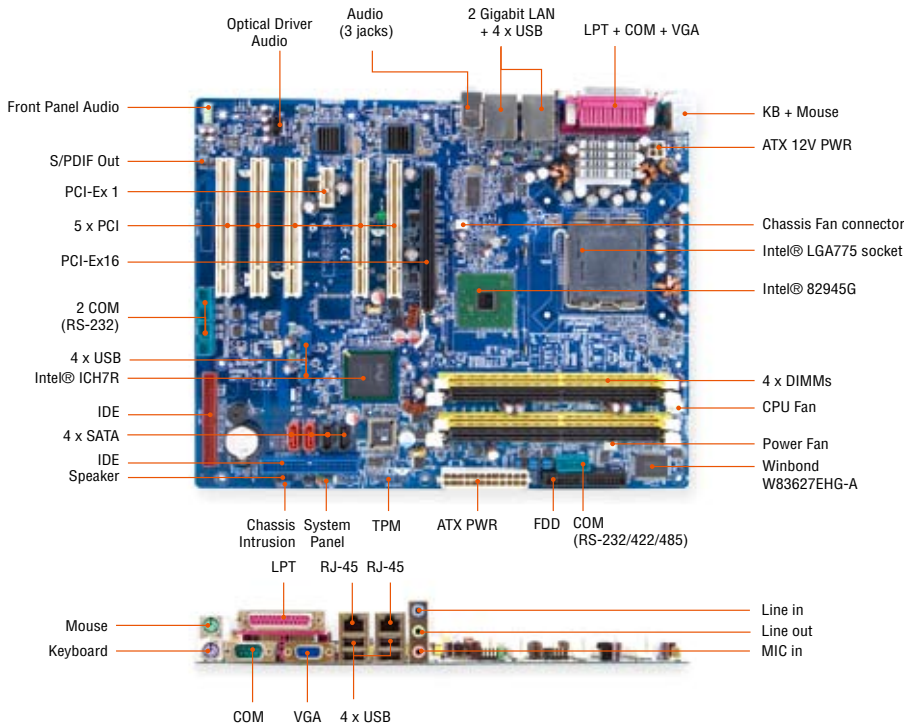


i945G2-IQNAR

Intel® 945G LGA775 Core2 Duo® / Pentium® D / Pentium® 4 / Celeron® D ATX Main Board



Features

- Supports Intel® Core 2 Duo / Pentium® D / Pentium® 4 / Celeron® D CPU
- Intel® 82945G Chipset
- Four DIMMs up to 4 GB 2-CH DDR2 667/533 SDRAM
- Intel® Graphics Media Accelerator 950
- Realtek ALC888 7.1-CH HD Audio
- Dual Intel® 82573L Gigabit LAN
- 1 PCI-E X16, 1 PCI-E X1, 5 PCI 2.2
- 4 COM, 8 USB 2.0, 4 SATA 300/150
- TPM on board

Intel
GMA 950

Dual
GigaLAN

PCIeX16

4 COM

TPM

Specifications

System

CPU	Intel® µFC-LGA 775 socket Supports Core 2 Duo / Pentium® D / Pentium® 4 / Celeron® D with 65nm process technology
FSB	1066/800/533 MHz
BIOS	Award 4 Mb Flash ROM BIOS
System Chipset	Intel® 82945G GMCH/ ICH7R
I/O Chip	Winbond W83627EHG-A
System Memory	Four 240-pin DIMM sockets support up to 4 GB Dual Channel DDR2 667/533 SDRAM
Watchdog Timer	Reset: 1 sec.~255 min. and 1 sec. or 1 min./step
H/W Status Monitor	Monitoring temperatures, voltages, and cooling fan status. Auto throttling control when CPU overheats
Expansion	One PCI Express X16, one PCI Express X1, five PCI slots (PCI Rev. 2.2 compliant)
I/O	
MIO	2 x EIDE (Ultra DMA 100), 4 x SATA, 1 x FDD, 1 x LPT, 3 x RS-232, 1 x RS-232/422/485, 1 x K/B, 1 x Mouse
USB	8 x USB 2.0

Display

Chipset	Intel® 82945G GMCH integrated Graphics Media Accelerator 950
Display Memory	Intel® DVMT 3.0 supports 224 MB video memory
Max. 3D Resolution	2048 x 1536 @ 32 bpp (75 Hz)
VGA/LCD Interface	PCI-E X16 VGA interface
LVDS	Through ADD2 LVDS Card (Customized BIOS required)
DVI	Through ADD2 DVI Card (Customized BIOS required)
TV-out	Through ADD2 TV-out Card (Customized BIOS required)

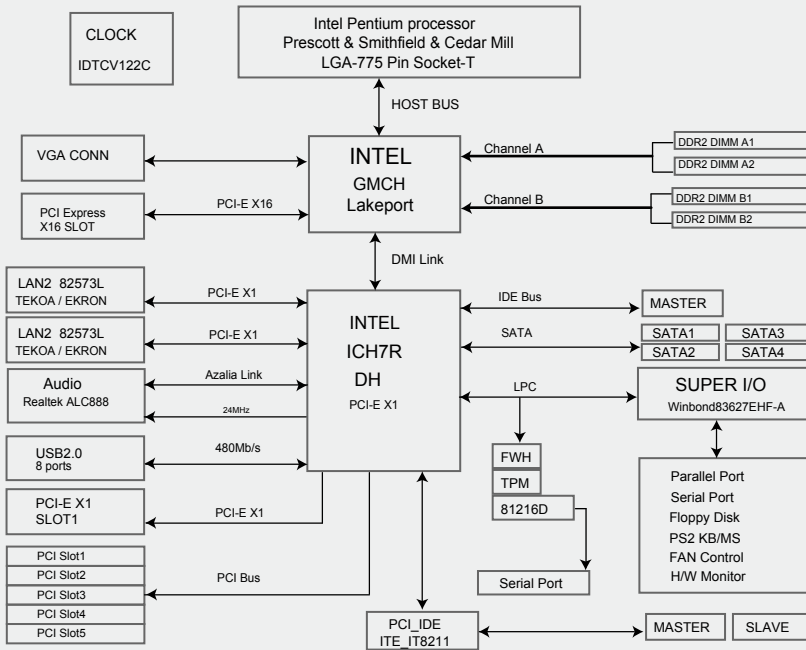
Audio

Chipset	Intel® ICH7R
AC97 Codec	Realtek ALC 888, 7.1 CH High-Definition Audio Codec
Audio Interface	Mic in, Line in, CD Audio in, Line out, S/PDIF

Ethernet

LAN 1	Intel® 82573L Gigabit LAN
LAN 2	Intel® 82573L Gigabit LAN

Block Diagram



Ordering information

i945G2-IQNAR

Intel® LGA775 Core 2 Duo / Pentium® D / Pentium® 4 / Celeron® D ATX Motherboard with VGA, Audio, Dual Gb LAN, 4 COM, 8 USB 2.0, 1 PCI-E X16, 1 PCI-E X1, & 5 PCI

Packing list

80A-945G20-1000R00	i945G2-IQNAR ATX Motherboard	1
14G000011214	34pin FDD cable/40 pin IDE cable	1
14G000100910	SATA Cable Kit (SATA/POWER)	2
14G000020093	COM1 cable 9P, L:260mm	3

Back Panel I/O Port

- 1 x PS/2 Keyboard
- 1 x PS/2 Mouse
- 1 x Parallel port
- 1 x Serial port
- 1 x VGA port
- 2 x RJ45 ports
- 4 x USB ports
- Audio I/O (3 jacks)

Internal I/O Connector

- 2 x USB connectors support additional 4 USB ports
- 1 x 24-pin ATX Power connector
- 1 x 4-pin ATX 12V Power connector
- 1 x Floppy disk drive connector
- 2 x IDE connector for two devices
- 3 x COM connectors
- 1 x Chassis intrusion connector
- 1 x CD audio in connector
- 1 x TPM connector
- 4 x SATA connectors
- 1 x Front panel audio connector
- 1 x S/PDIF out connector
- 1 x Speaker connector
- 1 x System panel connector
- 1 x 3-pin Power LED connector
- 1 x CPU Fan connector
- 1 x Chassis Fan connector
- 1 x Power Fan connector

Mechanical & Environmental

Power Requirement	+5 V @ 4.26 A, +12 V @ 10.12 A, +3.3 V @ 722 mA (with Intel Core 2 Duo E6400 2.13 GHz & 2 x 1 GB DDR2 SDRAM)
Power Type	ATX
Operating Temperature	0~60°C (32~140°F)
Operating Humidity	0%~90% relative humidity, non-condensing
Size (L x W)	12" x 9.6" (304.8 mm x 243.84 mm)
Weight	1.32 lbs (0.6 Kg)

Advansus Corp.

Taiwan Headquarters

No. 1, Alley 20, Lane 26, Rueiguang Road, Neihu District

Taipei 114, Taiwan, R.O.C.

Tel: 886-2-8177-7089

Fax: 886-2-2794-7301

E-mail: sales@advansus.com.tw