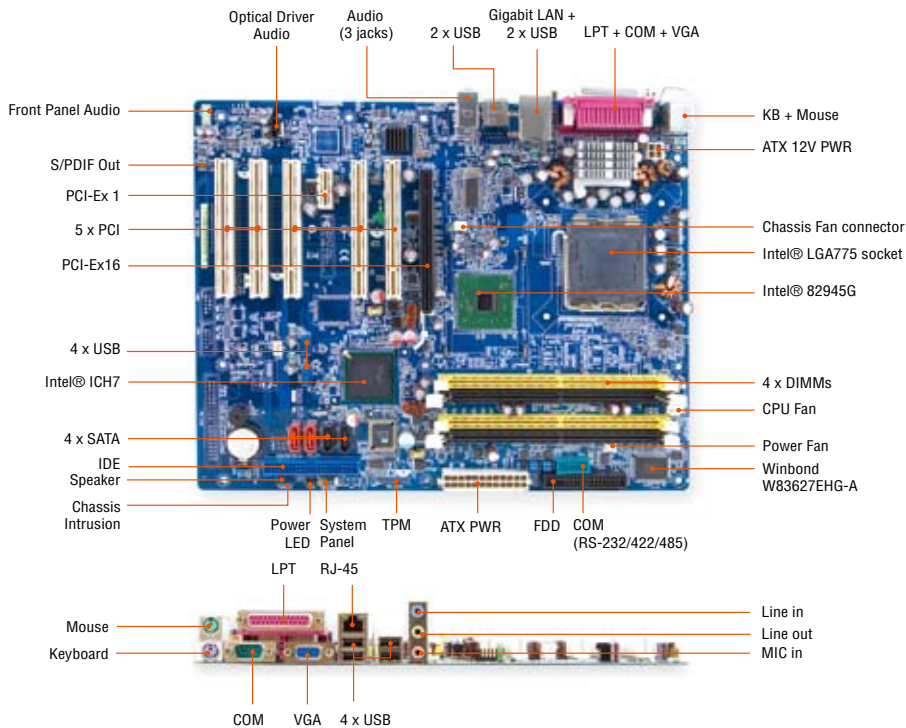


## i945G2-IGA Intel® 945G LGA775 Core™ 2 Duo / Core™ Duo ATX Motherboard



### Features

- Supports 65nm Intel® Core™ 2 Duo / Core™ Duo / Pentium® 4 / Celeron® D CPU
- Intel® 82945G Chipset
- Four DIMMs up to 4 GB 2-CH DDR2 667/533 SDRAM
- Intel® Graphics Media Accelerator 950
- Realtek ALC888 5.1+2 CH HD Audio Supports Dual Audio Stream
- Intel® 82573L Gigabit LAN
- 1 PCI-E X16, 1 PCI-E X1, 5 PCI 2.2
- 2 COM, 8 USB, 4 SATA 300/150
- PCI-E X16 Slot Supports ADD2 VGA/DVI/LVDS Card



### Specifications

#### System

<b>CPU</b>	Intel® µFC-LGA 775 socket Supports Core 2 Duo / Pentium® D / Pentium® 4 / Celeron® D with 65nm process technology
<b>FSB</b>	1066/800/533 MHz
<b>BIOS</b>	Award 4 Mb Flash BIOS
<b>System Chipset</b>	Intel® 82945G GMCH/ ICH7
<b>I/O Chip</b>	Winbond W83627EHG-A
<b>System Memory</b>	Four 240-pin DIMM sockets support up to 4 GB Dual Channel DDR2 667/533 SDRAM
<b>Watchdog Timer</b>	Reset: 1 sec.~255 min. and 1 sec. or 1 min./step
<b>H/W Status Monitor</b>	Monitoring temperatures, voltages, and cooling fan status. Auto throttling control when CPU overheats
<b>Expansion</b>	One PCI Express X16, one PCI Express X1, five PCI slots (PCI Rev. 2.2 compliant)

#### I/O

<b>MIO</b>	1 x EIDE (Ultra DMA 100), 4 x SATA, 1 x FDD, 1 x LPT, 1 x RS-232, 1 x RS-232/422/485, 1x K/B, 1 x Mouse
<b>USB</b>	8 x USB 2.0 ports

#### Display

<b>Chipset</b>	Intel® 82945G GMCH integrated Graphics Media Accelerator 950
<b>Display Memory</b>	Intel® DVMT 3.0 supports 224 MB video memory
<b>Max. Resolution</b>	2048 x 1536 @ 32 bpp (75 Hz)
<b>External VGA</b>	PCI-E X16 VGA interface
<b>LVDS</b>	Through ADD2 LVDS Card (Customized BIOS required)
<b>DVI</b>	Through ADD2 DVI Card (Customized BIOS required)
<b>2nd VGA</b>	Through ADD2 VGA Card (Customized BIOS required)

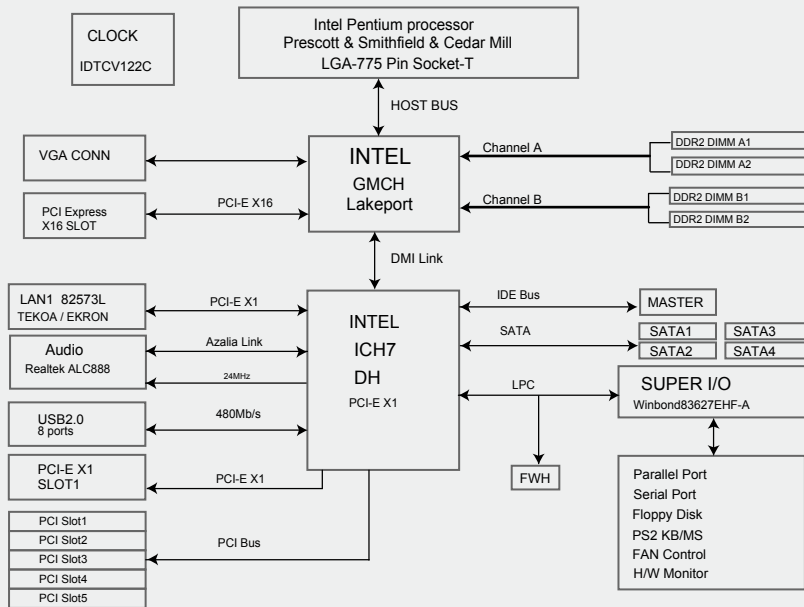
#### Audio

<b>Chipset</b>	Intel® ICH7
<b>Audio Codec</b>	Realtek ALC888 5.1+2 Ch high definition Audio Codec supports two independent Audio stream
<b>Audio Interface</b>	Mic in, Line in, CD Audio in, Line out, S/PDIF

#### Ethernet

<b>LAN 1</b>	Intel® 82573L Gigabit LAN
--------------	---------------------------

## Block Diagram



## Ordering information

### i945G2-IGA

Intel® LGA775 Core 2 Duo / Pentium® D / Pentium® 4 / Celeron® ATX Motherboard with VGA, Audio, Gb LAN, 2 COM, 8 USB 2.0, 1 PCI-E X16, 1 PCI-E X1, & 5 PCI

### Packing list

<b>80A-945G20-1000L00</b>	i945G2-IGA ATX Motherboard	1
<b>14G000011238</b>	CABLE 2IN1 FD/ATA W/K	1
<b>14G000020096</b>	COM1 CABLE 9P, L:260mm	1
<b>14G000100915</b>	SATA CABLE 7P 2IN1 RED COLOR	2

### Back Panel I/O Port

- 1 x PS/2 Keyboard
- 1 x PS/2 Mouse
- 1 x Parallel port
- 1 x Serial port
- 1 x VGA port
- 1 x RJ45 port
- 4 x USB ports
- Audio I/O (3 jacks)

### Internal I/O Connector

- 2 x USB connector supports additional 4 USB ports
- 1 x 24-pin ATX Power connector
- 1 x 4-pin ATX 12V Power connector
- 1 x Floppy disk drive connector
- 1 x IDE connector for two devices
- 1 x COM connector
- 1 x Chassis intrusion connector
- 1 x CD audio in connector
- 1 x TPM connector (option)
- 4 x SATA connectors
- 1 x Front panel audio connector
- 1 x SPDIF out connector
- 1 x System panel connector
- 1 x CPU Fan connector
- 1 x Chassis Fan connector
- 1 x Power Fan connector

### Mechanical & Environmental

<b>Power Requirement</b>	+5 V @ 4.26 A, +12 V @ 10.12 A, +3.3 V @ 722 mA (with Intel Core 2 Duo E6400 2.13 GHz & 1 GB*2 DDR2 SDRAM)
<b>Power Type</b>	ATX
<b>Operating Temperature</b>	0~60°C (32~140°F)
<b>Operating Humidity</b>	0%~90% relative humidity, non-condensing
<b>Size (L x W)</b>	12" x 9.6" (304.8 mm x 243.84 mm)
<b>Weight</b>	1.32 lbs (0.6 Kg)