

AB100 BIOS & Driver

[BIOS](#) | [Driver/Utility](#) | [Manual](#) | [Installation](#) | [Jumper Setting](#) | [CPU Frequency Setting](#) | [Q&A](#) | [Testing Report](#)

BIOS

[AB100 All Ver. \(or Product No:12340A\)_.BIOS Date Code: Jul.06.1999 \(139KB\)](#)

- Support Windows 2000 and Y2K.

Flash BIOS Software Utility

- [Awdflash](#)

Driver

ALI IDE Bus Master Driver

- [Ali_nt9x.exe](#) ATAPI Bus Master Device Driver for Windows NT and Windows 9x (702KB)
- [Ali_doswin.exe](#) ATAPI Bus Master Device Driver for DOS /Windows 3.1 (58KB)
- [Ali_novell.exe](#) ATAPI Bus Master Device Driver for Novell 3.1x/4.x (20KB)
- [Ali_os2.exe](#) ATAPI Bus Master Device Driver for OS/2 4.0 (27KB)
- [Ali_scou324.exe](#) ATAPI Bus Master Device Driver for SCO UNIX 3.2.4 (12KB)
- [Ali_scounix.exe](#) ATAPI Bus Master Device Driver for SCO UNIX 5.0 (12KB)

ALI AGP Host Driver V1.6

- [Aliagp.exe](#) AGP Driver for Windows 95/98 (676KB)

Patch file

ALI USB Host Controller Supplement (V1.02)

- [Aliusb.exe](#) used to upgraded Windows from OSR2.0 to OSR2.1(598KB)

ALI M7101 Patch (Ver 1.01)

- [Ali_M7101.exe](#) Remove question mark on PCI bridge in the Device Manager under Windows 95 Sytem icon (597KB)

Manual

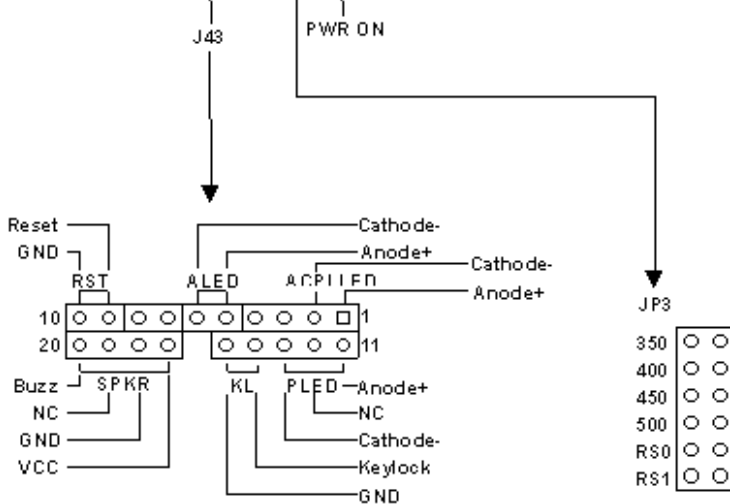
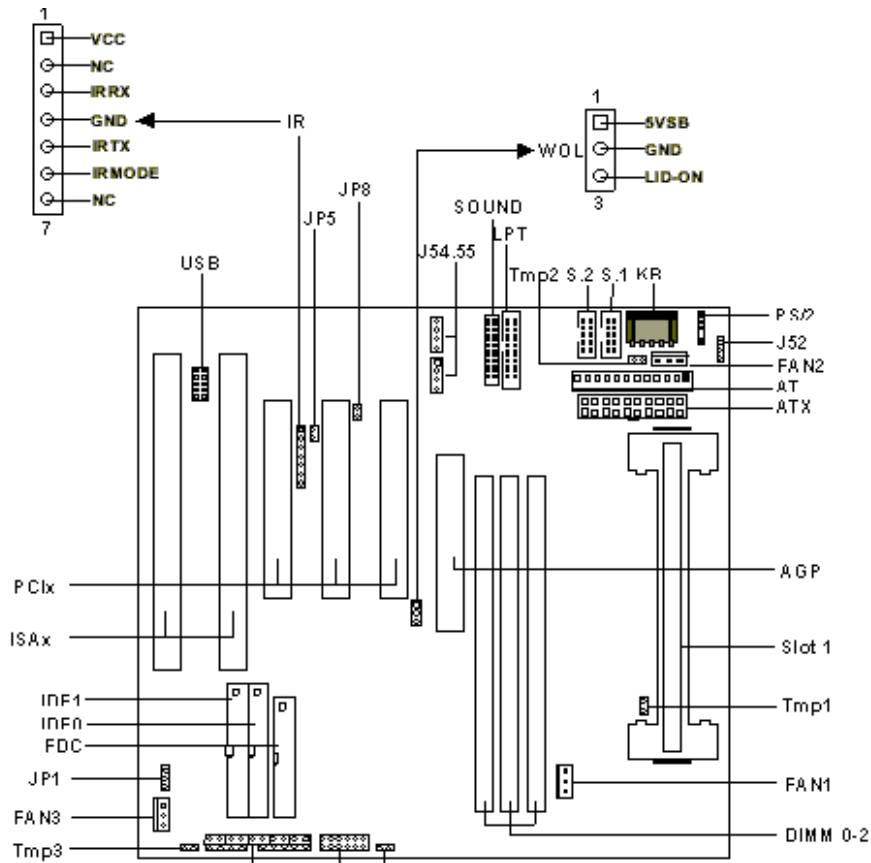
- [AB100.pdf](#) Manual for AB100

CPU Frequency Setting

CPU	Jumper	CPU	Jumper	CPU	Jumper
Pentium II 266Mhz	350 <input type="radio"/> <input type="radio"/> 400 <input checked="" type="radio"/> <input type="radio"/> 450 <input type="radio"/> <input type="radio"/> 500 <input type="radio"/> <input type="radio"/> RS0 <input checked="" type="radio"/> <input type="radio"/> RS1 <input type="radio"/> <input type="radio"/>	Pentium II 300Mhz	350 <input type="radio"/> <input type="radio"/> 400 <input type="radio"/> <input type="radio"/> 450 <input checked="" type="radio"/> <input type="radio"/> 500 <input type="radio"/> <input type="radio"/> RS0 <input checked="" type="radio"/> <input type="radio"/> RS1 <input type="radio"/> <input type="radio"/>	Pentium II 333Mhz	350 <input type="radio"/> <input type="radio"/> 400 <input type="radio"/> <input type="radio"/> 450 <input type="radio"/> <input type="radio"/> 500 <input checked="" type="radio"/> <input type="radio"/> RS0 <input type="radio"/> <input type="radio"/> RS1 <input type="radio"/> <input type="radio"/>
Pentium II 350Mhz	350 <input checked="" type="radio"/> <input type="radio"/> 400 <input type="radio"/> <input type="radio"/> 450 <input type="radio"/> <input type="radio"/> 500 <input type="radio"/> <input type="radio"/> RS0 <input type="radio"/> <input type="radio"/> RS1 <input type="radio"/> <input type="radio"/>	Pentium II 400Mhz	350 <input type="radio"/> <input type="radio"/> 400 <input checked="" type="radio"/> <input type="radio"/> 450 <input type="radio"/> <input type="radio"/> 500 <input type="radio"/> <input type="radio"/> RS0 <input type="radio"/> <input type="radio"/> RS1 <input type="radio"/> <input type="radio"/>	Pentium II/III 450Mhz	350 <input type="radio"/> <input type="radio"/> 400 <input type="radio"/> <input type="radio"/> 450 <input checked="" type="radio"/> <input type="radio"/> 500 <input type="radio"/> <input type="radio"/> RS0 <input type="radio"/> <input type="radio"/> RS1 <input type="radio"/> <input type="radio"/>
Pentium III 500Mhz	350 <input type="radio"/> <input type="radio"/> 400 <input type="radio"/> <input type="radio"/> 450 <input type="radio"/> <input type="radio"/> 500 <input checked="" type="radio"/> <input type="radio"/> RS0 <input type="radio"/> <input type="radio"/> RS1 <input type="radio"/> <input type="radio"/>	Pentium III 550Mhz	350 <input type="radio"/> <input type="radio"/> 400 <input type="radio"/> <input type="radio"/> 450 <input checked="" type="radio"/> <input type="radio"/> 500 <input checked="" type="radio"/> <input type="radio"/> RS0 <input type="radio"/> <input type="radio"/> RS1 <input type="radio"/> <input type="radio"/>	i@	i@
Celeron 300Mhz		Celeron 333Mhz		Celeron 366Mhz	

	<table border="1"> <tr><td>350</td><td><input type="checkbox"/></td><td><input type="checkbox"/></td></tr> <tr><td>400</td><td><input type="checkbox"/></td><td><input type="checkbox"/></td></tr> <tr><td>450</td><td><input checked="" type="checkbox"/></td><td><input type="checkbox"/></td></tr> <tr><td>500</td><td><input type="checkbox"/></td><td><input type="checkbox"/></td></tr> <tr><td>RS0</td><td><input checked="" type="checkbox"/></td><td><input type="checkbox"/></td></tr> <tr><td>RS1</td><td><input type="checkbox"/></td><td><input type="checkbox"/></td></tr> </table>	350	<input type="checkbox"/>	<input type="checkbox"/>	400	<input type="checkbox"/>	<input type="checkbox"/>	450	<input checked="" type="checkbox"/>	<input type="checkbox"/>	500	<input type="checkbox"/>	<input type="checkbox"/>	RS0	<input checked="" type="checkbox"/>	<input type="checkbox"/>	RS1	<input type="checkbox"/>	<input type="checkbox"/>		<table border="1"> <tr><td>350</td><td><input type="checkbox"/></td><td><input type="checkbox"/></td></tr> <tr><td>400</td><td><input type="checkbox"/></td><td><input type="checkbox"/></td></tr> <tr><td>450</td><td><input type="checkbox"/></td><td><input type="checkbox"/></td></tr> <tr><td>500</td><td><input checked="" type="checkbox"/></td><td><input type="checkbox"/></td></tr> <tr><td>RS0</td><td><input checked="" type="checkbox"/></td><td><input type="checkbox"/></td></tr> <tr><td>RS1</td><td><input type="checkbox"/></td><td><input type="checkbox"/></td></tr> </table>	350	<input type="checkbox"/>	<input type="checkbox"/>	400	<input type="checkbox"/>	<input type="checkbox"/>	450	<input type="checkbox"/>	<input type="checkbox"/>	500	<input checked="" type="checkbox"/>	<input type="checkbox"/>	RS0	<input checked="" type="checkbox"/>	<input type="checkbox"/>	RS1	<input type="checkbox"/>	<input type="checkbox"/>		<table border="1"> <tr><td>350</td><td><input type="checkbox"/></td><td><input type="checkbox"/></td></tr> <tr><td>400</td><td><input type="checkbox"/></td><td><input type="checkbox"/></td></tr> <tr><td>450</td><td><input checked="" type="checkbox"/></td><td><input type="checkbox"/></td></tr> <tr><td>500</td><td><input type="checkbox"/></td><td><input type="checkbox"/></td></tr> <tr><td>RS0</td><td><input checked="" type="checkbox"/></td><td><input type="checkbox"/></td></tr> <tr><td>RS1</td><td><input type="checkbox"/></td><td><input type="checkbox"/></td></tr> </table>	350	<input type="checkbox"/>	<input type="checkbox"/>	400	<input type="checkbox"/>	<input type="checkbox"/>	450	<input checked="" type="checkbox"/>	<input type="checkbox"/>	500	<input type="checkbox"/>	<input type="checkbox"/>	RS0	<input checked="" type="checkbox"/>	<input type="checkbox"/>	RS1	<input type="checkbox"/>	<input type="checkbox"/>
350	<input type="checkbox"/>	<input type="checkbox"/>																																																									
400	<input type="checkbox"/>	<input type="checkbox"/>																																																									
450	<input checked="" type="checkbox"/>	<input type="checkbox"/>																																																									
500	<input type="checkbox"/>	<input type="checkbox"/>																																																									
RS0	<input checked="" type="checkbox"/>	<input type="checkbox"/>																																																									
RS1	<input type="checkbox"/>	<input type="checkbox"/>																																																									
350	<input type="checkbox"/>	<input type="checkbox"/>																																																									
400	<input type="checkbox"/>	<input type="checkbox"/>																																																									
450	<input type="checkbox"/>	<input type="checkbox"/>																																																									
500	<input checked="" type="checkbox"/>	<input type="checkbox"/>																																																									
RS0	<input checked="" type="checkbox"/>	<input type="checkbox"/>																																																									
RS1	<input type="checkbox"/>	<input type="checkbox"/>																																																									
350	<input type="checkbox"/>	<input type="checkbox"/>																																																									
400	<input type="checkbox"/>	<input type="checkbox"/>																																																									
450	<input checked="" type="checkbox"/>	<input type="checkbox"/>																																																									
500	<input type="checkbox"/>	<input type="checkbox"/>																																																									
RS0	<input checked="" type="checkbox"/>	<input type="checkbox"/>																																																									
RS1	<input type="checkbox"/>	<input type="checkbox"/>																																																									
Celeron 400Mhz	<table border="1"> <tr><td>350</td><td><input type="checkbox"/></td><td><input type="checkbox"/></td></tr> <tr><td>400</td><td><input checked="" type="checkbox"/></td><td><input type="checkbox"/></td></tr> <tr><td>450</td><td><input type="checkbox"/></td><td><input type="checkbox"/></td></tr> <tr><td>500</td><td><input type="checkbox"/></td><td><input type="checkbox"/></td></tr> <tr><td>RS0</td><td><input checked="" type="checkbox"/></td><td><input type="checkbox"/></td></tr> <tr><td>RS1</td><td><input type="checkbox"/></td><td><input type="checkbox"/></td></tr> </table>	350	<input type="checkbox"/>	<input type="checkbox"/>	400	<input checked="" type="checkbox"/>	<input type="checkbox"/>	450	<input type="checkbox"/>	<input type="checkbox"/>	500	<input type="checkbox"/>	<input type="checkbox"/>	RS0	<input checked="" type="checkbox"/>	<input type="checkbox"/>	RS1	<input type="checkbox"/>	<input type="checkbox"/>	Celeron 433Mhz	<table border="1"> <tr><td>350</td><td><input checked="" type="checkbox"/></td><td><input type="checkbox"/></td></tr> <tr><td>400</td><td><input type="checkbox"/></td><td><input type="checkbox"/></td></tr> <tr><td>450</td><td><input type="checkbox"/></td><td><input type="checkbox"/></td></tr> <tr><td>500</td><td><input checked="" type="checkbox"/></td><td><input type="checkbox"/></td></tr> <tr><td>RS0</td><td><input checked="" type="checkbox"/></td><td><input type="checkbox"/></td></tr> <tr><td>RS1</td><td><input type="checkbox"/></td><td><input type="checkbox"/></td></tr> </table>	350	<input checked="" type="checkbox"/>	<input type="checkbox"/>	400	<input type="checkbox"/>	<input type="checkbox"/>	450	<input type="checkbox"/>	<input type="checkbox"/>	500	<input checked="" type="checkbox"/>	<input type="checkbox"/>	RS0	<input checked="" type="checkbox"/>	<input type="checkbox"/>	RS1	<input type="checkbox"/>	<input type="checkbox"/>	i@	i@																		
350	<input type="checkbox"/>	<input type="checkbox"/>																																																									
400	<input checked="" type="checkbox"/>	<input type="checkbox"/>																																																									
450	<input type="checkbox"/>	<input type="checkbox"/>																																																									
500	<input type="checkbox"/>	<input type="checkbox"/>																																																									
RS0	<input checked="" type="checkbox"/>	<input type="checkbox"/>																																																									
RS1	<input type="checkbox"/>	<input type="checkbox"/>																																																									
350	<input checked="" type="checkbox"/>	<input type="checkbox"/>																																																									
400	<input type="checkbox"/>	<input type="checkbox"/>																																																									
450	<input type="checkbox"/>	<input type="checkbox"/>																																																									
500	<input checked="" type="checkbox"/>	<input type="checkbox"/>																																																									
RS0	<input checked="" type="checkbox"/>	<input type="checkbox"/>																																																									
RS1	<input type="checkbox"/>	<input type="checkbox"/>																																																									

Jumper Setting



CPU	1 st Cap	2 nd Cap
233 MHz	350 ON	RS0 ON
266 MHz	400 ON	RS0 ON
300 MHz	450 ON	RS0 ON
333 MHz	500 ON	RS0 ON
350 MHz	350 ON	none
400 MHz	400 ON	none
450 MHz	450 ON	none
500 MHz	500 ON	none

Location	ScreenPrinting	Description
----------	----------------	-------------

J3	Slot1	Slot 1 connector
J5--J7	DIMM0--2	168-pin DIMM Sockets
J10	PWR	AT Power connector
J11	AGP	A.G.P. connector
J12-14	PCI1--3	PCI expansion slots
J21-22	J21,J22	ISA expansion slots
J28	IDE 0	Primary IDE connector
J29	IDE 1	Secondary IDE connector
J30	FDC	Floppy drive connector
J31	S1	Serial 1 connector
J32	S2	Serial 2 connector
J33	LPT	Parallel connector
J34	USB	Two USB
J36	MS	PS/2 mouse connector
J35	KB	Keyboard connector
J37	PWR	ATX power connector
J39	FAN1	Processor fan header
J40	FAN2	System fan header
J41	FAN3	System fan header
J42	PWR ON	Power on/off header
J43	J43	Front panel I/O header
	ACPI LED (pins 1--2):	ACPI LED header
	ALED (pins 5--6):	IDE LED header
	RST (pins 9--10):	Reset Switch header
	PLED (pins 11--13):	Power LED header
	KL (pins 14--15):	Keylock header
	SPKR (pins 17--20):	Speaker header
J44	IR	IR (infrared) connector
J46	WOL	Wake On LAN header
J49	Tmp1	Temp. sensor header (for CPU)
J50	Tmp2	Temp. sensor header
J51	Tmp3	Temp. sensor header
J52	KB ON	Keyboard Power On
J54	J54	CD in
J55	J55	CD in
J60	SB	Sound connector
JP1	CLRTC	Clear CMOS jumper
JP3	JP3	Freq. selection jumper
JP5	JP5	PCI compatibility jumper
JP8	Sound	Sound disable/enable