

USER'S MANUAL

A47 MAIN BOARD



482A4703

Printed in Taiwan 2000

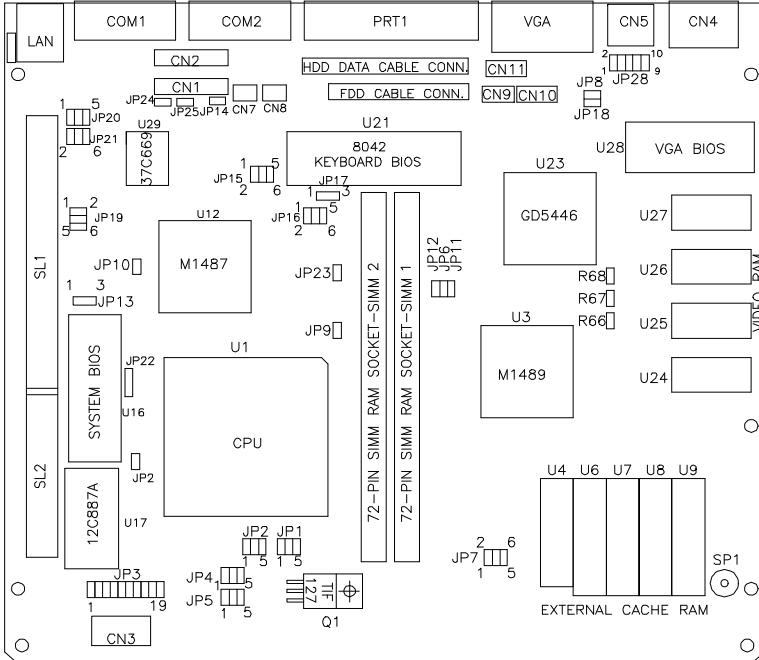
INDEX

This user's manual describes the jumper setting of A47 Main Board. For detailed technical information, please refer to CDs attached with PC system unit.

Table of Contents	Page
Technical details	
1. Jumpers location diagram for A47 main board	1
2. Memory configuration	2
3. Jumper setting	3 – 6

All other registered and unregistered trademarks are trademarks of their respective holders

1. Jumpers Location Diagram for "A47 ver 3.X" Main Board



2. Memory Configuration

• System Memory's Configuration.

Following table illustrates how to expand the memory size on the main board.

Capacity	SIMM 1 Socket	SIMM 2 Socket
4MB	4MB (single bank module)	/
8MB	4MB (single bank module)	4MB (single bank module)
8MB	8MB (double bank module)	/
8MB	/	8MB (double bank module)
16MB	8MB (double bank module)	8MB (double bank module)
16MB	16MB (single bank module)	/
16MB	/	16MB (single bank module)
32MB	16MB (single bank module)	16MB (single bank module)
32MB	32MB (double bank module)	/
32MB	/	32MB (double bank module)
64MB	32MB (double bank module)	32MB (double bank module)

• VGA Memory's Configuration.

For "47" main board, Video memory capacity standard is **1MB** and expandable to 2MB. Please contact your distributor the procedure how to upgrade VGA memory.

Following table illustrate how to expand the VGA memory size on the main board.

Capacity	U24	U25	U26	U27	Video DRAM Type
1MB	ON	ON			256KB X 16 SOJ package
2MB	ON	ON	ON	ON	256KB X 16 SOJ package

(Note 1 : Installed - ON, None installed - BLANK)

(Note 2 : 512KB is used for Cirrus GD-5430 chipset only)

IMPORTANT

The on board VGA function can not be disabled. If an VGA card must be installed, please be sure to disable on board VGA function by removing main board's VGA chipset and VGA RAM

3 Jumper settings

CPU type selection: JP1, JP2, JP3

CPU	JP1	JP2	JP3
Intel 486SX	2-4	1-3	Open
Intel 486DX/DX2/DX4	3-5, 4-6	1-3	Open
Intel 486SX-S (Green)	2-4	1-3	7-8, 11-12, 15-16
Intel 486DX/2/4-S (Green)	3-5, 4-6	1-3	7-8, 11-12, 15-16
Intel P24C	3-5, 4-6	1-3	7-8, 11-12, 15-16
Intel 486DX/DX2/DX4 (Write Back)	3-5, 4-6	3-5, 4-6	3-4, 7-8, 11-12, 15-16
Intel P24T	1-3, 4-6	3-5	7-8, 11-12, 15-16
AMD 486DX /DX4 (NV8T)	3-5, 4-6	1-3	Open
AMD 486DX2/DE2(NV8T)	3-5, 4-6	1-3	19-20
AMD DX2 (enhance SV8B) AMD X5 (AM5x86)	3-5, 4-6	3-5,4-6	0-1, 3-4, 7-8, 11-12, 15-16
AMD DX4 (SV8B) Cyrix Cx5x86	3-5,4-6	3-5,4-6	3-4, 7-8, 11-12, 15-16
Cyrix/ IBM/TI DX/DX2	3-5, 4-6	1-3, 2-4	1-2, 9-10, 13-14, 17-18

CPU Clock Selection

CPU Clock	JP16
SX-25 / DX-50 / DX4-75	1-2
SX-33 / DX-33 / DX2-66 / DE2-66 / DX4-100 / 5x86-133	1-2, 3-4, 5-6
DX-40 / DX2-80 / DX4-120 / 5x86-120	1-2, 3-4
DX-50 / DX2 - 100	5-6

PCI Bus Clock Selection

PCI Clock	JP23	JP11
> 33MHz	1-2	close
< =33MHz	2-3	open

CPU Power Selections

CPU Power	JP4	JP5
5V	1-3, 2-4	/
3.3V	3-5, 4-6	5-6
3.5V	3-5, 4-6	3-4

On-board Cache SRAM Size Selection

Cache SRAM Size	JP7
128KB	3-5, 4-6
256KB	1-3, 4-6
512KB	1-3, 2-4

On-board Keyboard Interface Selection

Keyboard Interface	JP12	JP15
8042/80C42	Close	1-3, 2-4
Built-in Core Logic	Open	3-5, 4-6

RTC Interface Selection

Function	JP10	JP8	JP22	*JP2
RTC chipset is 12C887A	Close	Close	1-2	Open
RTC chipset is built-in Core Logic	Open	Open	/	/
12C887A SRAM Clean	Close	Close	/	Close

*** JP2 is subject to customer's request**

Power Supply Selection

Power	JP14	JP24	JP25
External Power for 5000 series	Close	Open	Open
Internal Power for 1000/4000 series	Open	Close	Close

Reserve: JP6, JP9, JP11, JP18 (Open)

On-board VGA Interface Selection

Function	R66	R67	R68
On-board VGA chipset is GD-5434	Install	Install	Uninstall
On-board VGA chipset is GD-5430	Install	Uninstall	Install
On-board VGA chipset is GD-5440	Install	Uninstall	Install
On-board VGA chipset is GD-5446	Install	Install	Uninstall

On-board Flash ROM (BIOS) Selection

Flash ROM Vpp type	JP13
+12V	1-2
+5V	2-3

Serial Port CD (carrier detect) signal Selection

Function	JP20
Port 1 CD signal connect to COM1 output connector pin1	1-2
+5V connect to COM1 output connector pin 1	3-4
+12V connect to COM1 output connector pin 1	5-6

Function	JP21
Port 2 CD signal connect to COM2 output connect pin 1	1-2
+5V connect to COM2 output connector pin 1	3-4
+12V connect to COM2 output connector pin 1	5-6

Parallel Port DMA Channel For SMC 37C669

DMA Channel Selection	JP19
Channel 3	1-3, 2-4

Power Connector Selection

Power Supply Type	CN1	CN2
2000/4000 series internal power	connect to power supply 's DC output cable	none
5000 series External power	connect to DC switch cable	connect to DC power cable from DC power jack

PCI Bus Hardware ID Default

PCI Interface	Controller	Hardware ID
VGA	Cirrus CL-GD543x	ID SEL = 19

VGA to TV Connector Description

JP1 Pin #	Description
1	GND
2	Blue Signal
3	GND
4	Green Signal
5	GND
6	Red Signal
7	Detect VGA Monitor
8	Hsync Signal
9	GND
10	Vsync Signal
