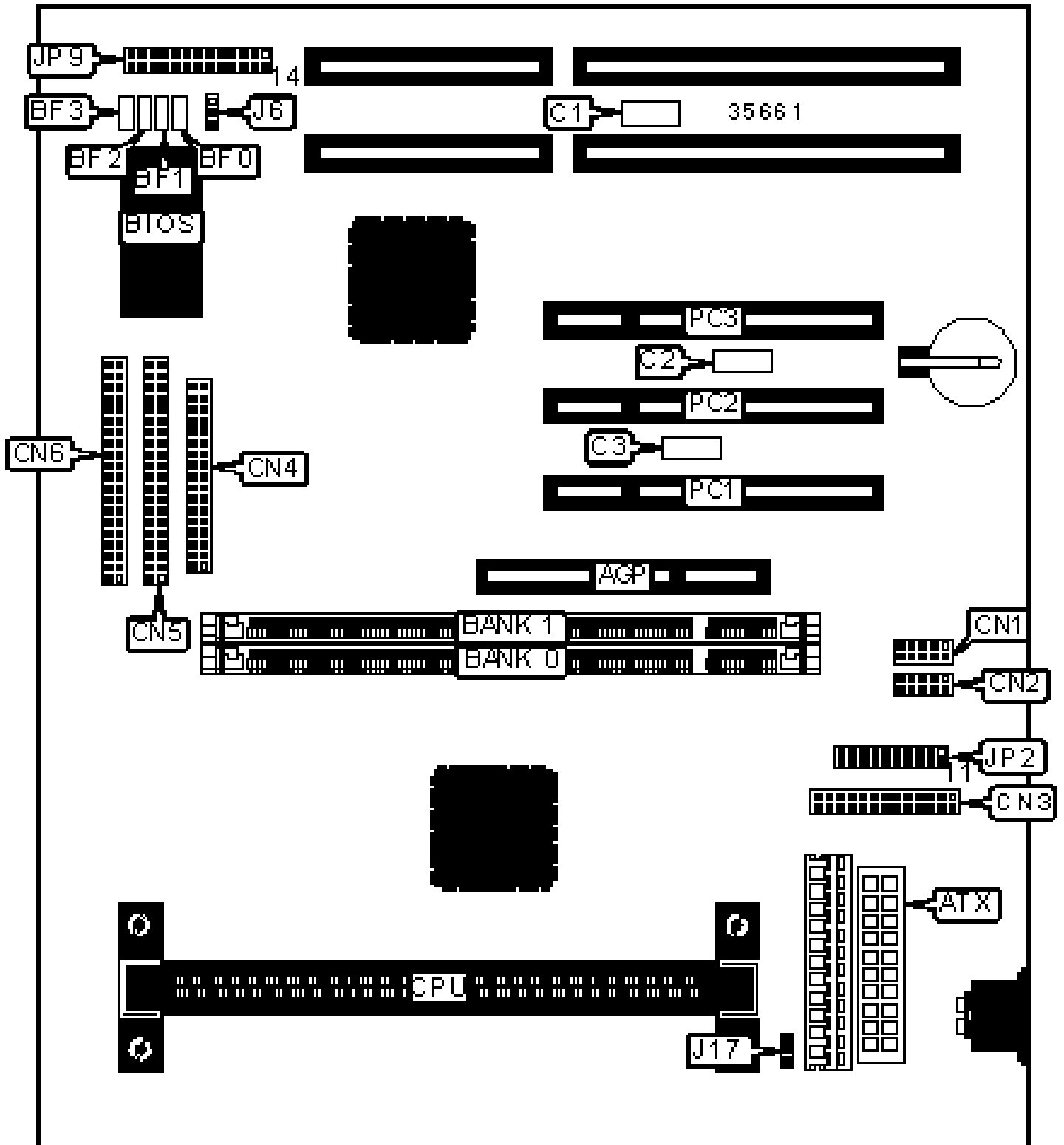


ZIDA TECHNOLOGIES, INC.

EX98 (VER. 1.40)

Configuration



CONNECTIONS

Purpose	Location	Purpose	Location
AGP slot	AGP	USB connector 1	JP2/pins 1 – 5
ATX power connector	ATX	PS/2 mouse port	JP2/pins 6 – 10
TB-link connector	C1	USB connector 2	JP2/pins 11 – 15
Wake up link connector	C2	IR connector	JP2/pins 16 - 20
TB/SB-link connector	C3	Power LED & keylock	JP9/pins 1 – 5
Serial port 2	CN1	Green PC connector	JP9/pins 7 & 8
Serial port 1	CN2	Speaker	JP9/pins 10 – 13
Parallel port	CN3	IDE interface LED	JP9/pins 14 & 15
Floppy drive interface	CN4	Soft off power supply	JP9/pins 17 & 18
IDE interface 2	CN5	Reset switch	JP9/pins 22 & 23
IDE interface 1	CN6	Turbo LED	JP9/pins 25 & 26
CPU fan power	J17	32-bit PCI slots	PC1 – PC3

USER CONFIGURABLE SETTINGS

Function	Label	Position
» Factory configured - do not alter	BF0	Unidentified
» Factory configured - do not alter	BF1	Unidentified
» Factory configured - do not alter	BF2	Unidentified
» Factory configured - do not alter	BF3	Unidentified
» Factory configured - do not alter	J6	Unidentified

DIMM CONFIGURATION

Size	Bank 0	Bank 1
8MB	(1) 1M x 64	None

16MB	(1) 2M x 64	None
16MB	(1) 1M x 64	(1) 1M x 64
24MB	(1) 2M x 64	(1) 1M x 64
32MB	(1) 4M x 64	None
32MB	(1) 2M x 64	(1) 2M x 64
40MB	(1) 4M x 64	(1) 1M x 64
48MB	(1) 4M x 64	(1) 2M x 64
64MB	(1) 8M x 64	None
64MB	(1) 4M x 64	(1) 4M x 64
72MB	(1) 8M x 64	(1) 1M x 64

DIMM CONFIGURATION (CON'T)

Size	Bank 0	Bank 1
80MB	(1) 8M x 64	(1) 2M x 64
96MB	(1) 8M x 64	(1) 4M x 64
128MB	(1) 16M x 64	None
128MB	(1) 8M x 64	(1) 8M x 64
136MB	(1) 16M x 64	(1) 1M x 64
144MB	(1) 16M x 64	(1) 2M x 64
160MB	(1) 16M x 64	(1) 4M x 64
192MB	(1) 16M x 64	(1) 8M x 64
256MB	(1) 16M x 64	(1) 16M x 64

Note: Board accepts SDRAM memory.

CACHE CONFIGURATION

Note: 512KB cache is located on the Pentium II CPU.

