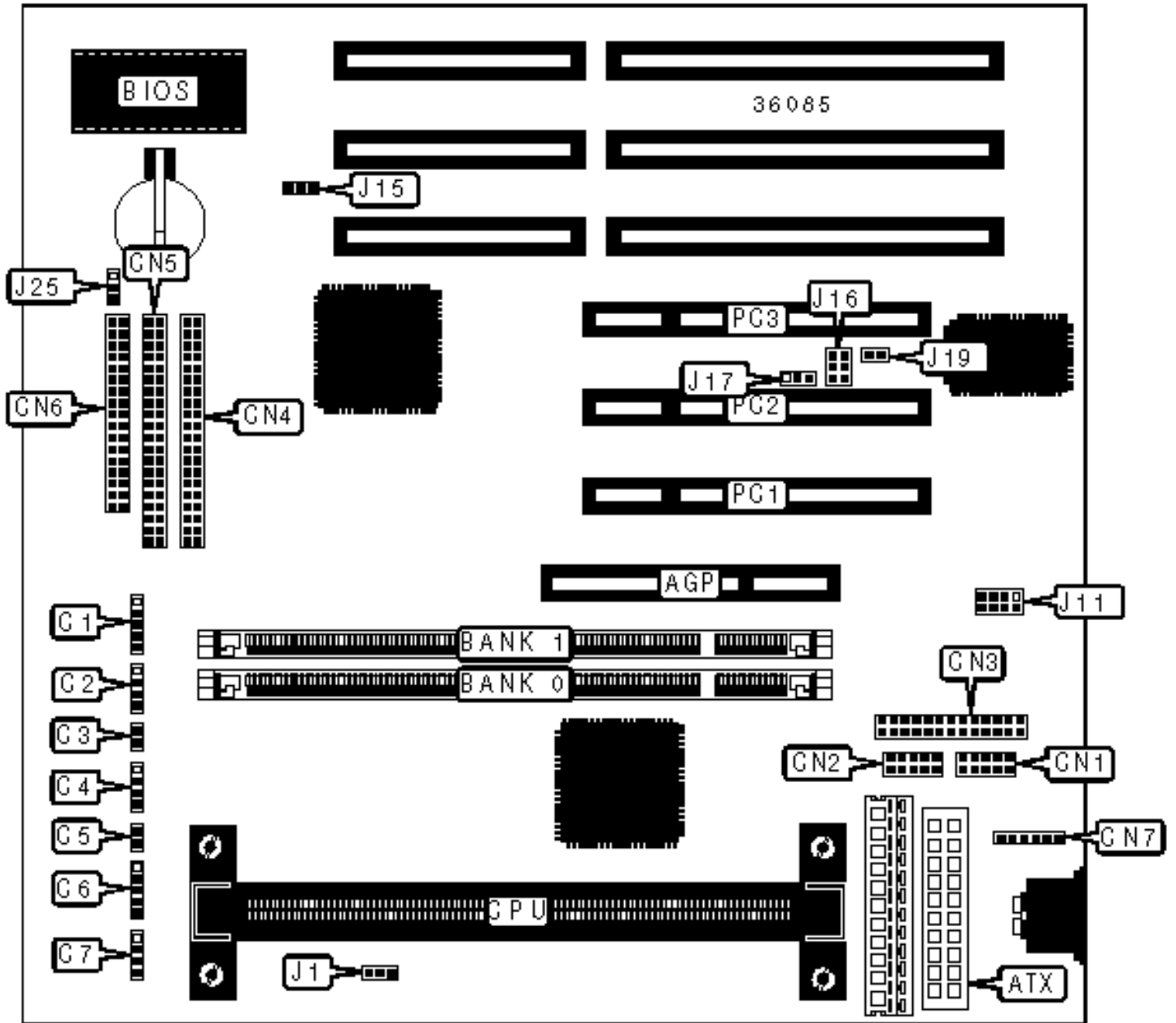


TOTEM TECHNOLOGY CO., LTD.

TM-P2EXAT

Configuration



CONNECTIONS

Purpose	Location	Purpose	Location
AGP slot	AGP	Parallel port	CN3
ATX power connector	ATX	IDE interface 1	CN4
IR connector	C1	IDE interface 2	CN5
IR connector	C2	Floppy drive interface	CN6
Soft off power supply	C3	PS/2 mouse interface	CN7
IDE interface LED	C4	Voltage O/P sensor	J1
Reset switch	C5	USB connector	J11
Power LED & keylock	C6	Chassis fan power	J15
Speaker	C7	SB-link connector	J16
Serial port 2	CN1	32-bit PCI slots	PC1 – PC3
Serial port 1	CN2		

&NBSP; USER CONFIGURABLE SETTINGS

Function	Label	Position
» Factory configured - do not alter	J17	Unidentified
» Factory configured - do not alter	J19	Unidentified
» CMOS memory normal operation	J25	Pins 1 & 2 closed
CMOS memory clear	J25	Pins 2 & 3 closed

DIMM CONFIGURATION

Size	Bank 0	Bank 1
8MB	(1) 1M x 64	None
16MB	(1) 2M x 64	None
16MB	(1) 1M x 64	(1) 1M x 64

24MB	(1) 2M x 64	(1) 1M x 64
32MB	(1) 4M x 64	None
32MB	(1) 2M x 64	(1) 2M x 64
40MB	(1) 4M x 64	(1) 1M x 64
48MB	(1) 4M x 64	(1) 2M x 64
64MB	(1) 8M x 64	None
64MB	(1) 4M x 64	(1) 4M x 64
72MB	(1) 8M x 64	(1) 1M x 64
80MB	(1) 8M x 64	(1) 2M x 64
96MB	(1) 8M x 64	(1) 4M x 64
128MB	(1) 16M x 64	None
128MB	(1) 8M x 64	(1) 8M x 64
136MB	(1) 16M x 64	(1) 1M x 64

DIMM CONFIGURATION (CON'T)

Size	Bank 0	Bank 1
144MB	(1) 16M x 64	(1) 2M x 64
160MB	(1) 16M x 64	(1) 4M x 64
192MB	(1) 16M x 64	(1) 8M x 64
256MB	(1) 16M x 64	(1) 16M x 64

Note: Board accepts EDO & SDRAM memory.

CACHE CONFIGURATION

Note: 256KB/512KB cache is located on the Pentium II CPU.