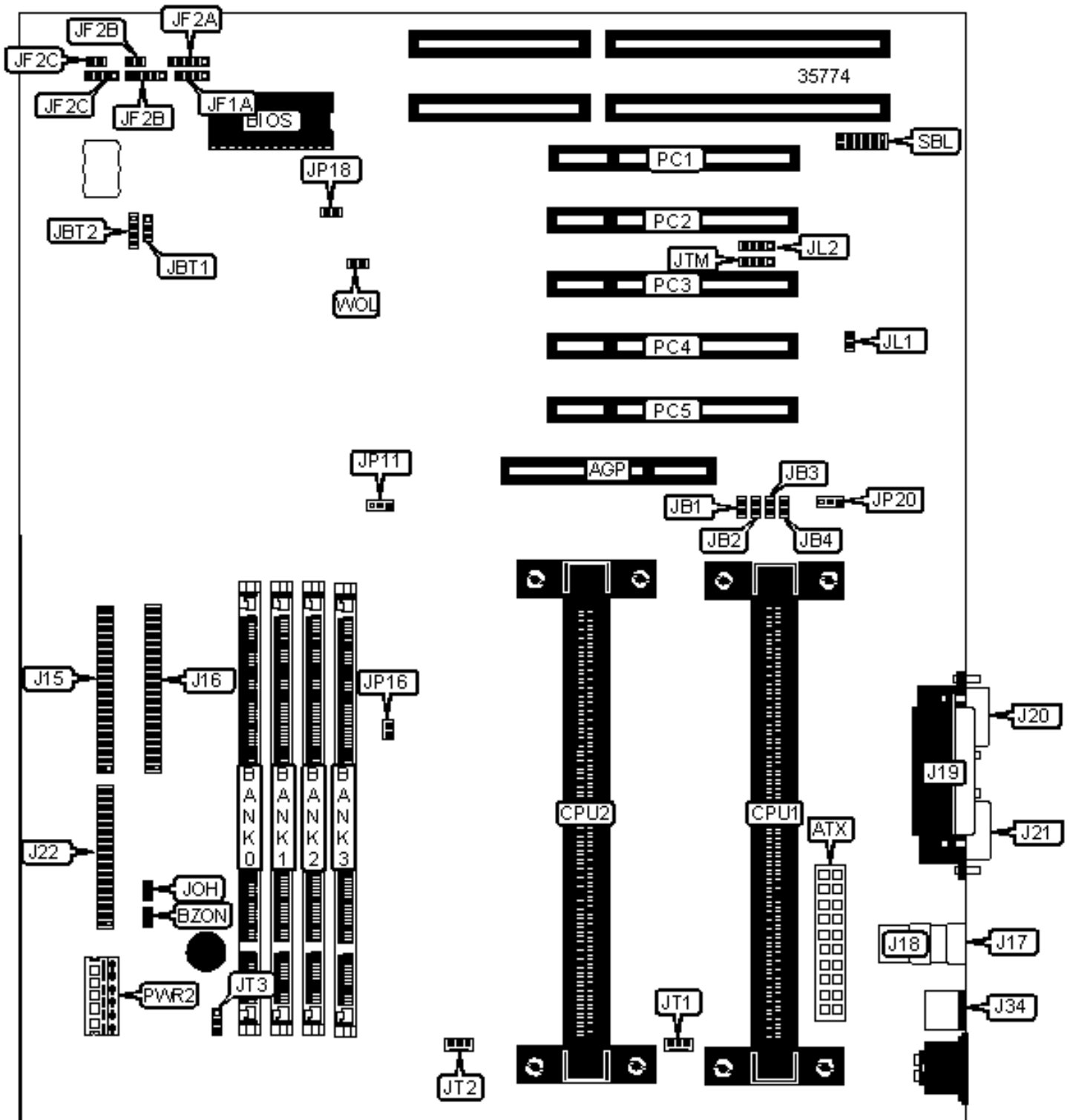


SUPER MICRO

P6DGE

Configuration



CONNECTIONS

Purpose	Location	Purpose	Location
AGP slot	AGP	Power LED & keylock	JF1B
ATX power connector	ATX	Speaker	JF1C
IDE interface 1	J15	IR connector	JF2A
IDE interface 2	J16	Power switch	JF2B
USB connector 1	J17	Reset switch	JF2C
USB connector 2	J18	Chassis intrusion	JL1
Parallel port	J19	Overheat LED	JOH
Serial port 1	J20	CPU fan power	JT1
Serial port 2	J21	CPU fan power	JT2
Floppy drive interface	J22	Chassis fan power	JT3
PS/2 mouse port	J34	32-bit PCI slots	PC1 - PC4
Ultra Wide SCSI interface	JA1	Secondary power connector	PWR2
Ultra Wide SCSI interface	JA2	SB link	SBL
SCSI 2 interface	JA3	SCSI LED	SCLED
IDE interface LED	JF1A	Wake on LAN	WOL

USER CONFIGURABLE SETTINGS

	Function	Label	Position
»	Factory configured - do not alter	JP18	Unidentified
»	Factory configured - do not alter	JA7	Unidentified
»	Factory configured - do not alter	JAS	Unidentified
»	Factory configured - do not alter	JAM	Unidentified
»	Pentium II CTL PD state	JP20	Pins 1 & 2 closed
»	BIOS CTL PD state	JP20	Pins 2 & 3 closed

»	CMOS memory normal operation	JBT1	Pins 1 & 2 closed
	CMOS memory clear	JBT1	Pins 2 & 3 closed
	Onboard buzzer enabled	BZON	Closed
	Onboard buzzer disabled	BZON	Open

DIMM CONFIGURATION

Size	Bank 0	Bank 1	Bank 2	Bank 3
8MB	1MB x 64	None	None	None
16MB	1MB x 64	1MB x 64	None	None
16MB	2MB x 64	None	None	None
24MB	1MB x 64	1MB x 64	1MB x 64	
32MB	1MB x 64	1MB x 64	1MB x 64	1MB x 64
32MB	2MB x 64	2MB x 64	None	None
32MB	4MB x 64	None	None	None
40MB	2MB x 64	2MB x 64	1MB x 64	None
48MB	2MB x 64	2MB x 64	2MB x 64	None
64MB	2MB x 64	2MB x 64	2MB x 64	2MB x 64
64MB	4MB x 64	4MB x 64	None	None
64MB	8MB x 64	None	None	None
88MB	4MB x 64	4MB x 64	2MB x 64	1MB x 64
96MB	4MB x 64	4MB x 64	4MB x 64	
112MB	4MB x 64	4MB x 64	4MB x 64	2MB x 64
128MB	4MB x 64	4MB x 64	4MB x 64	4MB x 64
128MB	8MB x 64	8MB x 64	None	None
128MB	16MB x 64	None	None	None
176MB	8MB x 64	8MB x 64	4MB x 64	2MB x 64

192MB	8MB x 64	8MB x 64	8MB x 64	
224MB	8MB x 64	8MB x 64	8MB x 64	4MB x 64
256MB	8MB x 64	8MB x 64	8MB x 64	8MB x 64
256MB	16MB x 64	16MB x 64	None	None
256MB	32MB x 64	None	None	None
352 MB	16MB x 64	16MB x 64	8MB x 64	4MB x 64
384MB	16MB x 64	16MB x 64	16MB x 64	
448 MB	16MB x 64	16MB x 64	16MB x 64	8MB x 64
512MB	16MB x 64	16MB x 64	16MB x 64	16MB x 64
512MB	32MB x 64	32MB x 64	None	None
512MB	64MB x 64	None	None	None
704 MB	32MB x 64	32MB x 64	16MB x 64	8MB x 64
768MB	32MB x 64	32MB x 64	32MB x 64	None
896 MB	32MB x 64	32MB x 64	32MB x 64	16MB x 64
1024MB	32MB x 64	32MB x 64	32MB x 64	32MB x 64
1024MB	64MB x 64	64MB x 64	None	None
1408 MB	64MB x 64	64MB x 64	32MB x 64	16MB x 64
1536MB	64MB x 64	64MB x 64	64MB x 64	None
1792 MB	64MB x 64	64MB x 64	64MB x 64	32MB x 64
2048MB	64MB x 64	64MB x 64	64MB x 64	64MB x 64

CACHE CONFIGURATION

Note: The 256/512KB cache memory is located on the Pentium II CPU.

CPU SPEED SELECTION (PENTIUM II)

CPU speed	Clock speed	Multiplier	JB1	JB2	JB3
-----------	-------------	------------	-----	-----	-----

233MHz	66MHz	3.5x	Open	Open	Closed
266MHz	66MHz	4x	Closed	Closed	Open
300MHz	66MHz	4.5x	Open	Closed	Open
333MHz	66MHz	5x	Closed	Open	Open
350MHz	100MHz	3.5x	Open	Open	Closed
400MHz	100MHz	4x	Closed	Closed	Open
450MHz	100MHz	4.5x	Open	Closed	Open

CPU SPEED SELECTION (PENTIUM II CONT')

CPU speed	Clock speed	Multiplier	JB4	JP11
233MHz	66MHz	3.5x	Closed	Pins 2 & 3 closed
266MHz	66MHz	4x	Closed	Pins 2 & 3 closed
300MHz	66MHz	4.5x	Closed	Pins 2 & 3 closed
333MHz	66MHz	5x	Closed	Pins 2 & 3 closed
350MHz	100MHz	3.5x	Closed	Open
400MHz	100MHz	4x	Closed	Open
450MHz	100MHz	4.5x	Closed	Open