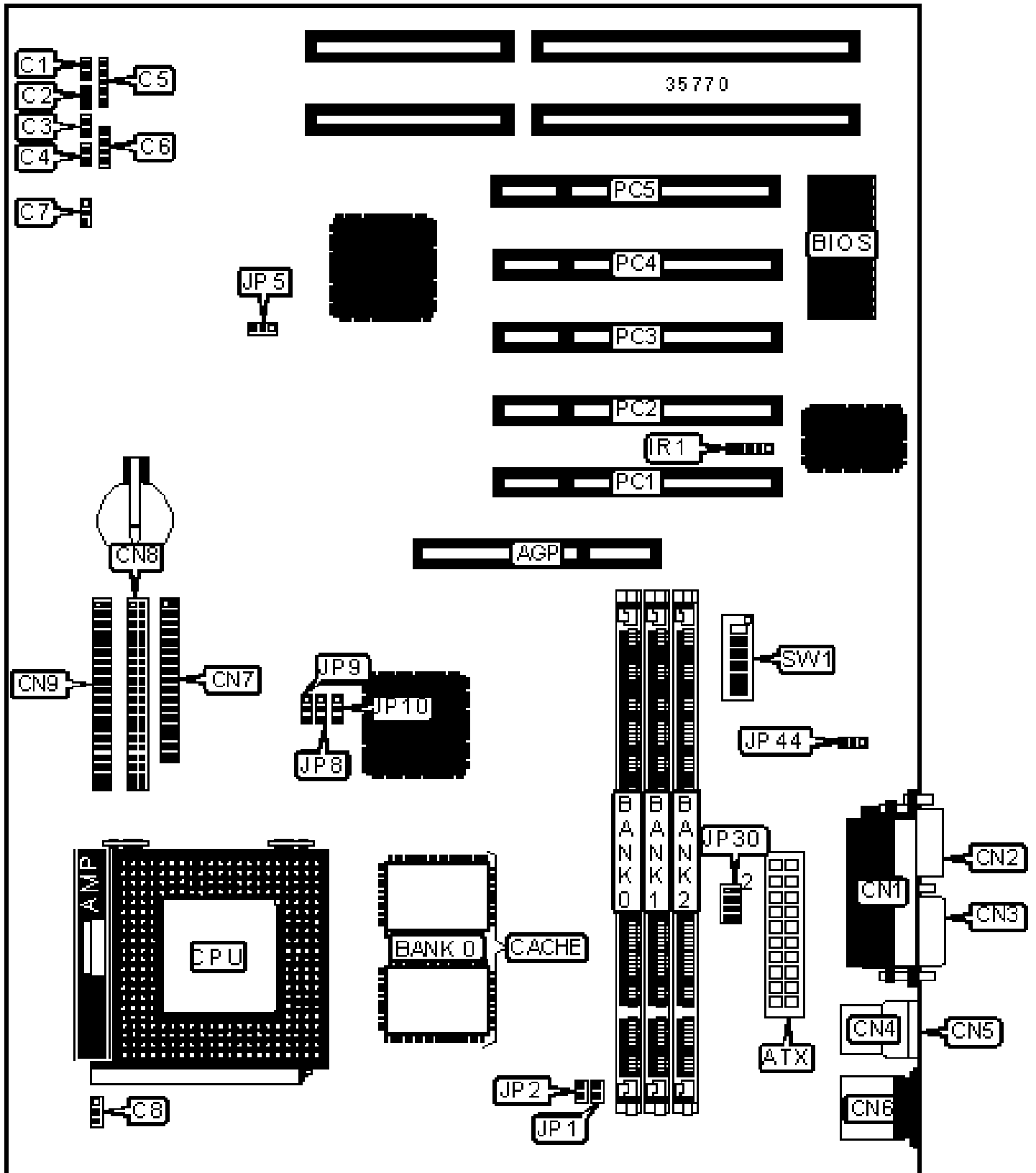


SOYO COMPUTER CO., LTD.

SY-5EMA+

Configuration



CONNECTIONS

Purpose	Location	Purpose	Location
AGP slot	AGP	Serial port 2	CN2
ATX power connector	ATX	Serial port 1	CN3
Reset switch	C1	USB connector 1	CN4
Soft off power supply	C2	USB connector 2	CN5
Turbo LED	C3	PS/2 mouse port	CN6
IDE interface LED	C4	Floppy drive interface	CN7
Power LED & keylock	C5	IDE interface 2	CN8
Speaker	C6	IDE interface 1	CN9
Chassis fan power	C7	IR connector	IR1
CPU fan power	C8	Wake on LAN connector	JP44
Parallel port	CN1	32-bit PCI slots	PC1 – PC5

USER CONFIGURABLE SETTINGS

Function	Label	Position
» CMOS memory normal operation	JP5	Pins 1 & 2 closed
CMOS memory clear	JP5	Pins 2 & 3 closed

DIMM CONFIGURATION

Size	Bank 0	Bank 1	Bank 2
8MB	(1) 1M x 64	None	None
16MB	(1) 1M x 64	(1) 1M x 64	None
16MB	(1) 2M x 64	None	None
24MB	(1) 1M x 64	(1) 1M x 64	(1) 1M x 64
32MB	(1) 2M x 64	(1) 2M x 64	None

32MB	(1) 4M x 64	None	None
48MB	(1) 2M x 64	(1) 2M x 64	(1) 2M x 64
64MB	(1) 4M x 64	(1) 4M x 64	None
64MB	(1) 8M x 64	None	None
96MB	(1) 4M x 64	(1) 4M x 64	(1) 4M x 64
128MB	(1) 8M x 64	(1) 8M x 64	None
128MB	(1) 16M x 64	None	None
164MB	(1) 16M x 64	(1) 1M x 64	None
144MB	(1) 16M x 64	(1) 1M x 64	(1) 1M x 64
144MB	(1) 16M x 64	(1) 2M x 64	None

DIMM CONFIGURATION (CON'T)

Size	Bank 0	Bank 1	Bank 2
160MB	(1) 16M x 64	(1) 2M x 64	(1) 2M x 64
160MB	(1) 16M x 64	(1) 4M x 64	None
192MB	(1) 16M x 64	(1) 4M x 64	(1) 4M x 64
192MB	(1) 16M x 64	(1) 8M x 64	None
192MB	(1) 8M x 64	(1) 8M x 64	(1) 8M x 64
256MB	(1) 16M x 64	(1) 8M x 64	(1) 8M x 64
256MB	(1) 16M x 64	(1) 16M x 64	None
256MB	(1) 32M x 64	None	None
272MB	(1) 32M x 64	(1) 2M x 64	None
288MB	(1) 32M x 64	(1) 2M x 64	(1) 2M x 64
288MB	(1) 32M x 64	(1) 4M x 64	None
320MB	(1) 32M x 64	(1) 4M x 64	(1) 4M x 64
320MB	(1) 32M x 64	(1) 8M x 64	None

384MB	(1) 32M x 64	(1) 8M x 64	(1) 8M x 64
384MB	(1) 32M x 64	(1) 16M x 64	None
384MB	(1) 16M x 64	(1) 16M x 64	(1) 16M x 64
512MB	(1) 32M x 64	(1) 16M x 64	(1) 16M x 64
512MB	(1) 32M x 64	(1) 32M x 64	None
768MB	(1) 32M x 64	(1) 32M x 64	(1) 32M x 64

Note: Board accepts EDO & SDRAM memory.

DIMM FREQUENCY CONFIGURATION

CPU bus clock	AGP bus clock	SDRAM clock	JP8	JP9	JP10
66MHz	66MHz	66MHz	2 & 3	2 & 3	1 & 2
75MHz	75MHz	75MHz	2 & 3	2 & 3	1 & 2
83MHz	55MHz	55MHz	1 & 2	1 & 2	2 & 3
83MHz	55MHz	83MHz	1 & 2	2 & 3	1 & 2
95MHz	63MHz	63MHz	1 & 2	1 & 2	2 & 3
95MHz	63MHz	95MHz	1 & 2	2 & 3	1 & 2
100MHz	66MHz	66MHz	1 & 2	1 & 2	2 & 3
100MHz	66MHz	100MHz	1 & 2	2 & 3	1 & 2
112MHz	75MHz	75MHz	1 & 2	1 & 2	2 & 3
112MHz	75MHz	112MHz	1 & 2	2 & 3	1 & 2
124MHz	82MHz	82MHz	1 & 2	1 & 2	2 & 3
124MHz	82MHz	124MHz	1 & 2	2 & 3	1 & 2

Note: Pins designated should be in the closed position.

CACHE CONFIGURATION

Size	Bank 0
------	--------

512KB	(2) 64K x 32
1MB	(2) 128K x 32

CPU SPEED SELECTION (CX 6X86)

CPU speed	Clock speed	Multiplier	SW1/1	SW1/2	SW1/3	SW1/4	SW1/5	SW1/6
166MHz	66MHz	2x	On	Off	Off	Off	Off	Off
200MHz	75MHz	2x	On	Off	Off	Off	On	Off

CPU SPEED SELECTION (CX 6X86MX)

CPU speed	Clock speed	Multiplier	SW1/1	SW1/2	SW1/3	SW1/4	SW1/5	SW1/6
166MHz	66MHz	2x	On	Off	Off	Off	Off	Off
200MHz	66MHz	2.5x	On	On	Off	Off	Off	Off
200MHz	75MHz	2x	On	Off	Off	Off	On	Off
233MHz	75MHz	2.5x	On	On	Off	Off	On	Off
266MHz	83MHz	2.5x	On	On	Off	On	On	Off

CPU SPEED SELECTION (CX MII)

CPU speed	Clock speed	Multiplier	SW1/1	SW1/2	SW1/3	SW1/4	SW1/5	SW1/6
300MHz	66MHz	3.5x	Off	Off	Off	Off	Off	Off
300MHz	75MHz	3x	Off	On	Off	Off	On	Off
333MHz	66MHz	4x	On	Off	On	Off	Off	Off
333MHz	75MHz	3.5x	Off	Off	Off	Off	On	Off
333MHz	83MHz	3x	Off	On	Off	On	On	Off
333MHz	100MHz	2.5x	On	On	Off	Off	Off	On
350MHz	100MHz	3x	Off	On	Off	Off	Off	On

CPU SPEED SELECTION (AM K5)

CPU speed	Clock speed	Multiplier	SW1/1	SW1/2	SW1/3	SW1/4	SW1/5	SW1/6
100MHz	66MHz	1.5x	Off	Off	Off	Off	Off	Off
133MHz	66MHz	2x	On	Off	Off	Off	Off	Off
166MHz	66MHz	2.5x	On	On	Off	Off	Off	Off

CPU SPEED SELECTION (AM K6)

CPU speed	Clock speed	Multiplier	SW1/1	SW1/2	SW1/3	SW1/4	SW1/5	SW1/6
166MHz	66MHz	2.5x	On	On	Off	Off	Off	Off
200MHz	66MHz	3x	Off	On	Off	Off	Off	Off
233MHz	66MHz	3.5x	Off	Off	Off	Off	Off	Off
266MHz	66MHz	4x	On	Off	On	Off	Off	Off
300MHz	66MHz	4.5x	On	On	On	Off	Off	Off

CPU SPEED SELECTION (AM K6-2)

CPU speed	Clock speed	Multiplier	SW1/1	SW1/2	SW1/3	SW1/4	SW1/5	SW1/6
266MHz	66MHz	4x	On	Off	On	Off	Off	Off
300MHz	100MHz	3x	Off	On	Off	Off	Off	On
333MHz	95MHz	3.5x	Off	Off	Off	On	Off	On
350MHz	100MHz	3.5x	Off	Off	Off	Off	Off	On

CPU SPEED SELECTION (INTEL)

CPU speed	Clock speed	Multiplier	SW1/1	SW1/2	SW1/3	SW1/4	SW1/5	SW1/6
100MHz	66MHz	1.5x	Off	Off	Off	Off	Off	Off
133MHz	66MHz	2x	On	Off	Off	Off	Off	Off
166MHz	66MHz	2.5x	On	On	Off	Off	Off	Off

200MHz	66MHz	3x	Off	On	Off	Off	Off	Off
--------	-------	----	-----	----	-----	-----	-----	-----

CPU SPEED SELECTION (INTEL MMX)

CPU speed	Clock speed	Multiplier	SW1/1	SW1/2	SW1/3	SW1/4	SW1/5	SW1/6
166MHz	66MHz	2.5x	On	On	Off	Off	Off	Off
200MHz	66MHz	3x	Off	On	Off	Off	Off	Off
233MHz	66MHz	3.5x	Off	Off	Off	Off	Off	Off

CPU VOLTAGE SELECTION

Setting	JP1	JP2
Single	Closed	Open
Dual	Open	Closed

CPU VOLTAGE SELECTION

Voltage	JP30/pins 1 & 2	JP30/pins 3 & 4	JP30/pins 5 & 6	JP30/pins 7 & 8
2.0	Open	Open	Open	Open
2.1	Closed	Open	Open	Open
2.2	Open	Closed	Open	Open
2.3	Closed	Closed	Open	Open
2.4	Open	Open	Closed	Open
2.5	Closed	Open	Closed	Open
2.6	Open	Closed	Closed	Open
2.7	Closed	Closed	Closed	Open
2.8	Open	Open	Open	Closed
2.9	Closed	Open	Open	Closed
3.0	Open	Closed	Open	Closed

3.1	Closed	Closed	Open	Closed
3.2	Open	Open	Closed	Closed
3.3	Closed	Open	Closed	Closed
3.4	Open	Closed	Closed	Closed
3.5	Closed	Closed	Closed	Closed