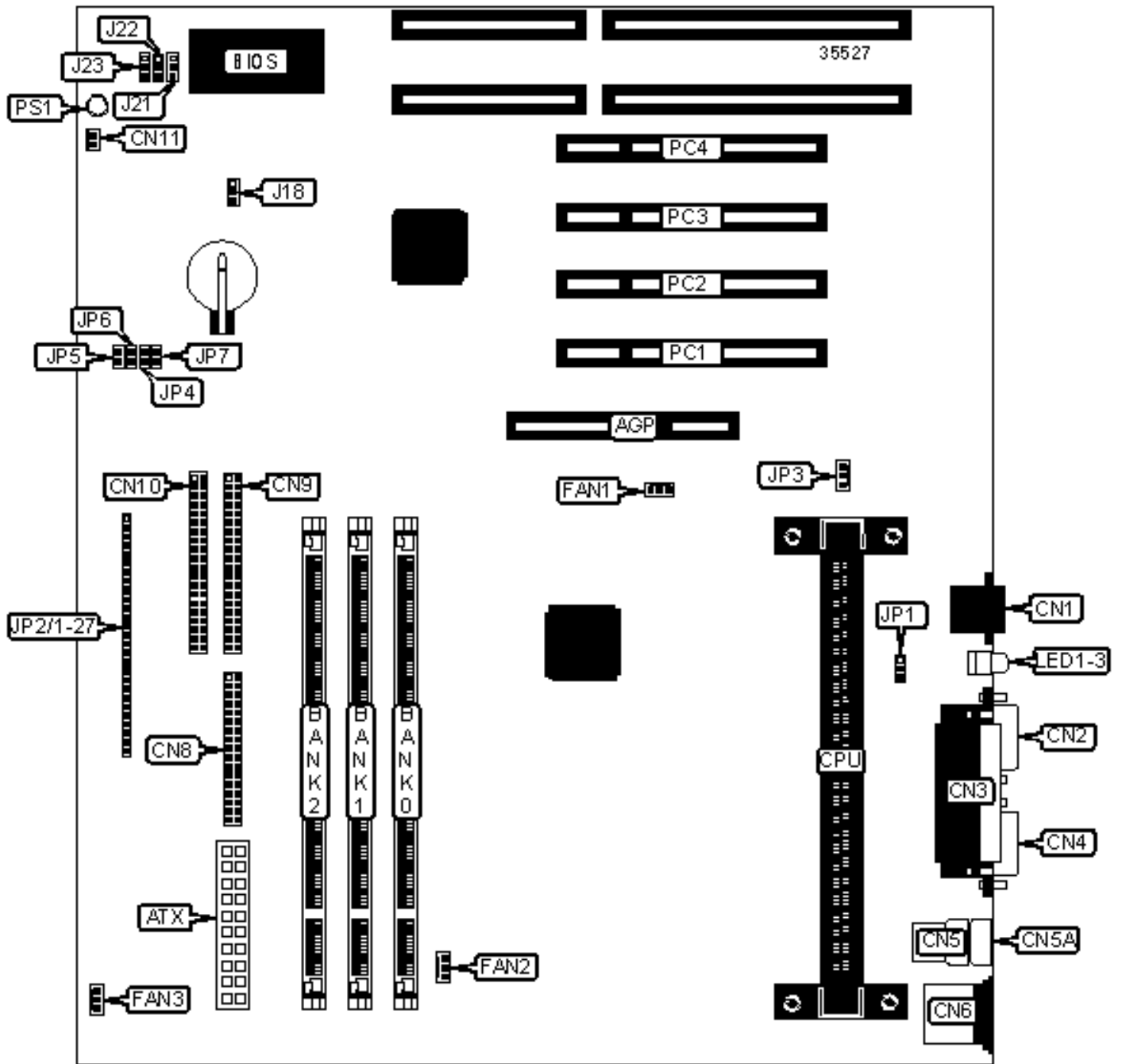


SEANIX TECHNOLOGY, INC.

KOOTENAY (SEA440LX)

Configuration



CONNECTIONS

Purpose	Location	Purpose	Location
AGP slot	AGP	Fan power	FAN1
ATX power connector	ATX	Fan power	FAN2
RJ-45 LAN connector	CN1	Fan power	FAN3
Serial port 2	CN2	Power on switch	JP2/pins 1 & 2
Parallel port	CN3	Green PC connector	JP2/pins 3 & 4
Serial port 1	CN4	IR connector	JP2/pins 6 - 11
USB connector 1	CN5	IDE interface LED	JP2/pins 13 - 16
USB connector 2	CN5A	Power LED	JP2/pins 18 - 20
PS/2 mouse port	CN6	Reset switch	JP2/pins 22 - 24
Floppy drive interface	CN8	Speaker	JP2/pins 24 - 27
IDE interface 2	CN9	Wake on LAN connector	JP3
IDE interface 1	CN10	PCI slots	PC1 - PC4
Chassis instruction connector	CN11	Photo-sensor	PS1

USER CONFIGURABLE SETTINGS

Function	Label	Position
» 5v standby voltage at 0.75A for wake on LAN function	JP1	Pins 1 & 2 closed
5v standby voltage at 0.1A for wake on LAN function	JP1	Pins 2 & 3 closed
» CMOS memory normal operation	J18	Pins 1 & 2 closed
CMOS memory clear	J18	Pins 2 & 3 closed
» Factory configured - do not alter	J22	Pins 2 & 3 closed

DRAM CONFIGURATION

Size	Bank 0	Bank 1	Bank 2
------	--------	--------	--------

8MB	(1) 1MB x 64	None	None
16MB	(1) 1MB x 64	(1) 1MB x 64	None
16MB	(1) 2MB x 64	None	None
24MB	(1) 1MB x 64	(1) 1MB x 64	(1) 1MB x 64
32MB	(1) 2MB x 64	(1) 2MB x 64	None
32MB	(1) 4MB x 64	None	None
32MB	(1) 2MB x 64	(1) 1MB x 64	(1) 1MB x 64
40MB	(1) 2MB x 64	(1) 2MB x 64	(1) 1MB x 64
40MB	(1) 4MB x 64	(1) 1MB x 64	None
48MB	(1) 4MB x 64	(1) 1MB x 64	(1) 1MB x 64
48MB	(1) 2MB x 64	(1) 2MB x 64	(1) 2MB x 64
48MB	(1) 4MB x 64	(1) 2MB x 64	None
56MB	(1) 4MB x 64	(1) 2MB x 64	(1) 1MB x 64
64MB	(1) 4MB x 64	(1) 4MB x 64	None
64MB	(1) 8MB x 64	None	None
64MB	(1) 4MB x 64	(1) 2MB x 64	(1) 2MB x 64
72MB	(1) 8MB x 64	(1) 1MB x 64	None
80MB	(1) 8MB x 64	(1) 1MB x 64	(1) 1MB x 64
80MB	(1) 8MB x 64	(1) 2MB x 64	None
88MB	(1) 8MB x 64	(1) 2MB x 64	(1) 1MB x 64
96MB	(1) 4MB x 64	(1) 4MB x 64	(1) 4MB x 64
96MB	(1) 8MB x 64	(1) 2MB x 64	(1) 2MB x 64
96MB	(1) 8MB x 64	(1) 4MB x 64	None
104MB	(1) 8MB x 64	(1) 4MB x 64	(1) 1MB x 64
112MB	(1) 8MB x 64	(1) 4MB x 64	(1) 2MB x 64
128MB	(1) 8MB x 64	(1) 8MB x 64	None

128MB	(1) 16MB x 64	None	None
128MB	(1) 8MB x 64	(1) 4MB x 64	(1) 4MB x 64
192MB	(1) 8MB x 64	(1) 8MB x 64	(1) 8MB x 64
256MB	(1) 16MB x 64	(1) 16MB x 64	None
384MB	(1) 16MB x 64	(1) 16MB x 64	(1) 16MB x 64

FLASH DEVICE MODE SETTINGS

Setting	J21	J23
Programmable device	Pins 1 & 2 closed	Pins 1 & 2 closed
Plug and Play	Pins 1 & 2 closed	Pins 2 & 3 closed
Write protect	Pins 2 & 3 closed	Pins 2 & 3 closed

CPU SPEED SELECTION

CPU Speed	Clock speed	Multiplier	JP4	JP5	JP6	JP7
233MHz	66MHz	3.5x	On	Off	Off	On
266MHz	66MHz	4x	Off	On	On	On
300MHz	66MHz	4.5x	Off	On	Off	On
333MHz	66MHz	5x	Off	Off	On	On