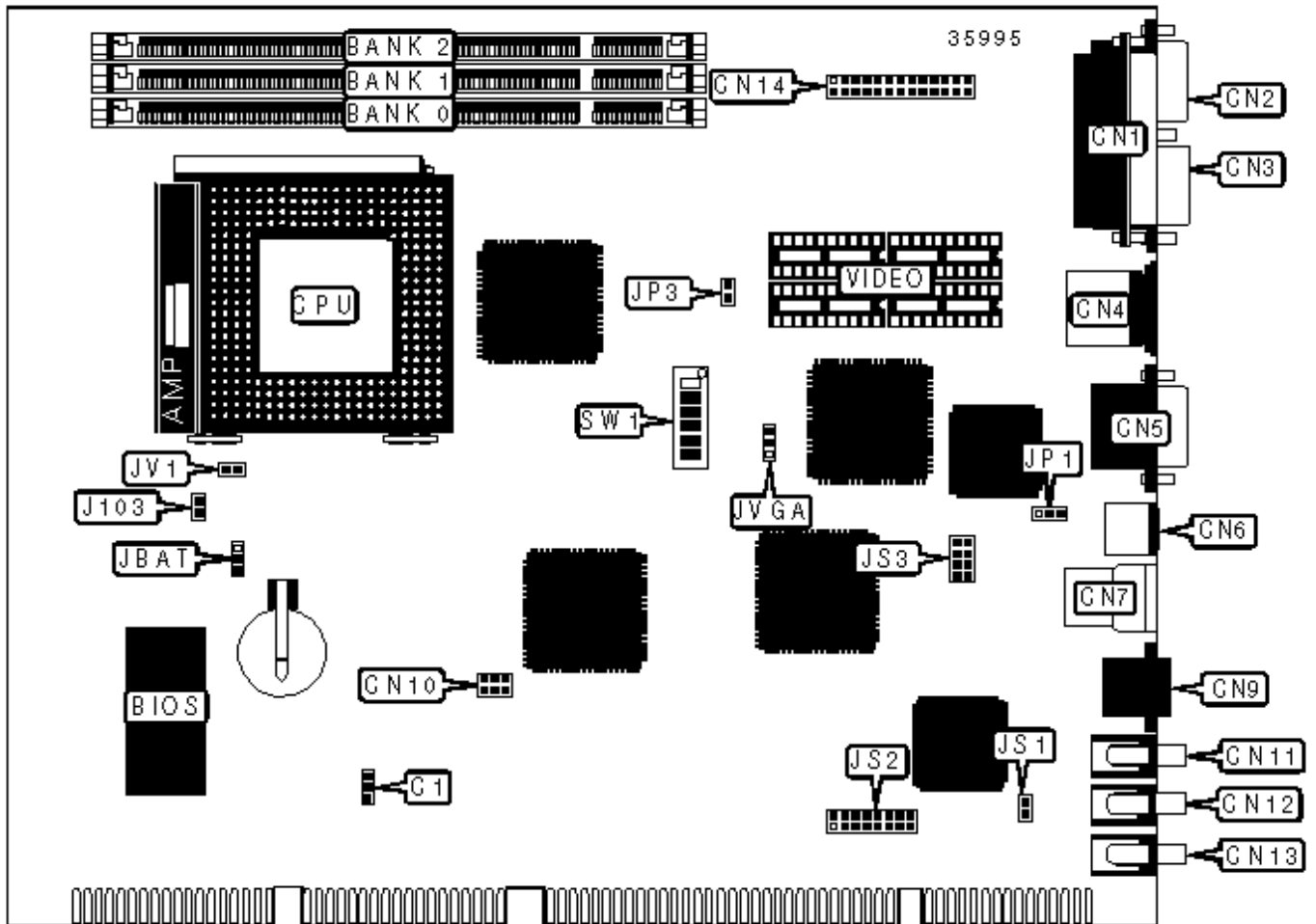


MICRO-STAR INTERNATIONAL CO., LTD.

MS-5165

Configuration



CONNECTIONS

Purpose	Location	Purpose	Location
CPU fan power	C1	Ethernet 10BaseT connector	CN9
Parallel port	CN1	SB-link connector	CN10
Serial port 2	CN2	Line in	CN11
Serial port 1	CN3	Microphone in	CN12
PS/2 mouse port	CN4	Line out	CN13
VGA port	CN5	VGA feature connector	CN14
SVGA port	CN6	Game/MIDI interface	JS2
USB connector	CN7		

USER CONFIGURABLE SETTINGS

Function	Label	Position
» Factory configured - do not alter	J103	Unidentified
» CMOS memory normal operation	JBAT	Pins 1 & 2 closed
CMOS memory clear	JBAT	Pins 2 & 3 closed
» Factory configured - do not alter	JP1	Unidentified
» Factory configured - do not alter	JP3	Open
On board sound enabled	JS1	Open
On board sound disabled	JS1	Closed
» Factory configured - do not alter	JS3	Unidentified
On board video enabled	JVGA	Pins 1 & 2 closed
On board video disabled	JVGA	Pins 2 & 3 closed

DIMM CONFIGURATION

Size	Bank 0	Bank 1	Bank 2
------	--------	--------	--------

8MB	(1) 1M x 64	None	None
16MB	(1) 2M x 64	None	None
16MB	(1) 1M x 64	(1) 1M x 64	None
24MB	(1) 2M x 64	(1) 1M x 64	None
24MB	(1) 1M x 64	(1) 1M x 64	(1) 1M x 64
32MB	(1) 4M x 64	None	None
32MB	(1) 2M x 64	(1) 1M x 64	(1) 1M x 64
32MB	(1) 2M x 64	(1) 2M x 64	None
40MB	(1) 4M x 64	(1) 1M x 64	None
40MB	(1) 2M x 64	(1) 2M x 64	(1) 1M x 64
48MB	(1) 4M x 64	(1) 1M x 64	(1) 1M x 64
48MB	(1) 4M x 64	(1) 2M x 64	None
48MB	(1) 2M x 64	(1) 2M x 64	(1) 2M x 64
56MB	(1) 4M x 64	(1) 2M x 64	(1) 1M x 64
64MB	(1) 8M x 64	None	None
64MB	(1) 4M x 64	(1) 2M x 64	(1) 2M x 64

DIMM CONFIGURATION (CON'T)

Size	Bank 0	Bank 1	Bank 2
64MB	(1) 4M x 64	(1) 4M x 64	None
72MB	(1) 8M x 64	(1) 1M x 64	None
72MB	(1) 4M x 64	(1) 4M x 64	(1) 1M x 64
80MB	(1) 8M x 64	(1) 1M x 64	(1) 1M x 64
80MB	(1) 8M x 64	(1) 2M x 64	None
80MB	(1) 4M x 64	(1) 4M x 64	(1) 2M x 64
88MB	(1) 8M x 64	(1) 2M x 64	(1) 1M x 64

96MB	(1) 8M x 64	(1) 2M x 64	(1) 2M x 64
96MB	(1) 8M x 64	(1) 4M x 64	None
96MB	(1) 4M x 64	(1) 4M x 64	(1) 4M x 64
104MB	(1) 8M x 64	(1) 4M x 64	(1) 1M x 64
112MB	(1) 8M x 64	(1) 4M x 64	(1) 2M x 64
128MB	(1) 16M x 64	None	None
128MB	(1) 8M x 64	(1) 4M x 64	(1) 4M x 64
128MB	(1) 8M x 64	(1) 8M x 64	None
136MB	(1) 16M x 64	(1) 1M x 64	None
136MB	(1) 8M x 64	(1) 8M x 64	(1) 1M x 64
144MB	(1) 16M x 64	(1) 1M x 64	(1) 1M x 64
144MB	(1) 16M x 64	(1) 2M x 64	None
144MB	(1) 8M x 64	(1) 8M x 64	(1) 2M x 64
152MB	(1) 16M x 64	(1) 2M x 64	(1) 1M x 64
160MB	(1) 16M x 64	(1) 2M x 64	(1) 2M x 64
160MB	(1) 16M x 64	(1) 4M x 64	None
160MB	(1) 8M x 64	(1) 8M x 64	(1) 4M x 64
168MB	(1) 16M x 64	(1) 4M x 64	(1) 1M x 64
176MB	(1) 16M x 64	(1) 4M x 64	(1) 2M x 64
192MB	(1) 16M x 64	(1) 4M x 64	(1) 4M x 64
192MB	(1) 16M x 64	(1) 8M x 64	None
192MB	(1) 8M x 64	(1) 8M x 64	(1) 8M x 64
200MB	(1) 16M x 64	(1) 8M x 64	(1) 1M x 64
208MB	(1) 16M x 64	(1) 8M x 64	(1) 2M x 64
224MB	(1) 16M x 64	(1) 8M x 64	(1) 4M x 64
256MB	(1) 16M x 64	(1) 8M x 64	(1) 8M x 64

Note: Board accepts EDO & SDRAM memory.

CACHE CONFIGURATION

Note: The location of the cache is unidentified.

VIDEO MEMORY CONFIGURATION

Note: The location of the video memory is unidentified.

CPU SPEED SELECTION (CX 6X86)

CPU speed	Clock speed	Multiplier	SW1/1	SW1/2	SW1/3	SW1/4	SW1/5	SW1/6
133MHz	55MHz	2x	On	Off	Off	On	On	Off
150MHz	60MHz	2x	On	Off	Off	On	Off	Off
166MHz	66MHz	2x	On	Off	Off	Off	Off	Off

CPU SPEED SELECTION (CX 6X86L)

CPU speed	Clock speed	Multiplier	SW1/1	SW1/2	SW1/3	SW1/4	SW1/5	SW1/6
166MHz	66MHz	2x	On	Off	Off	Off	Off	Off

CPU SPEED SELECTION (CX 6X86MX)

CPU speed	Clock speed	Multiplier	SW1/1	SW1/2	SW1/3	SW1/4	SW1/5	SW1/6
166MHz	60MHz	2.5x	On	On	Off	On	Off	Off
166MHz	66MHz	2x	On	Off	Off	Off	Off	Off
200MHz	66MHz	2.5x	On	On	Off	Off	Off	Off
200MHz	75MHz	2x	On	Off	Off	Off	On	Off
233MHz	66MHz	3x	Off	On	Off	Off	Off	Off
233MHz	75MHz	2.5x	On	On	Off	Off	On	Off

266MHz	66MHz	3.5x	Off	Off	Off	Off	Off	Off
266MHz	75MHz	3x	Off	On	Off	Off	On	Off

CPU SPEED SELECTION (AM K5)

CPU speed	Clock speed	Multiplier	SW1/1	SW1/2	SW1/3	SW1/4	SW1/5	SW1/6
90MHz	60MHz	1.5x	Off	Off	Off	On	Off	Off
100MHz	66MHz	1.5x	Off	Off	Off	Off	Off	Off
120MHz	60MHz	2x	On	Off	Off	On	Off	Off
133MHz	66MHz	2x	On	Off	Off	Off	Off	Off
150MHz	60MHz	2.5x	On	On	Off	On	Off	Off
166MHz	66MHz	2.5x	On	On	Off	Off	Off	Off

CPU SPEED SELECTION (AM K6)

CPU speed	Clock speed	Multiplier	SW1/1	SW1/2	SW1/3	SW1/4	SW1/5	SW1/6
166MHz	66MHz	2.5x	On	On	Off	Off	Off	Off
200MHz	66MHz	3x	Off	On	Off	Off	Off	Off
233MHz	66MHz	3.5x	Off	Off	Off	Off	Off	Off

CPU SPEED SELECTION (INTEL)

CPU speed	Clock speed	Multiplier	SW1/1	SW1/2	SW1/3	SW1/4	SW1/5	SW1/6
90MHz	60MHz	1.5x	Off	Off	Off	On	Off	Off
100MHz	66MHz	1.5x	Off	Off	Off	Off	Off	Off
120MHz	60MHz	2x	On	Off	Off	On	Off	Off
133MHz	66MHz	2x	On	Off	Off	Off	Off	Off
150MHz	60MHz	2.5x	On	On	Off	On	Off	Off
166MHz	66MHz	2.5x	On	On	Off	Off	Off	Off

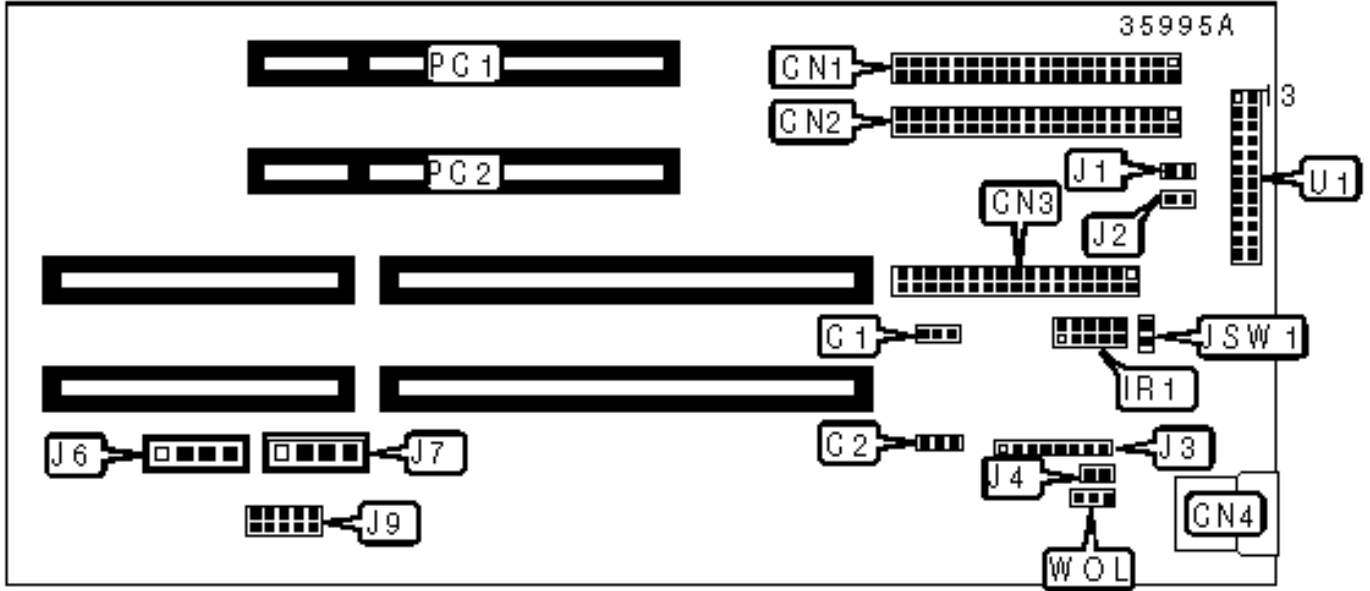
200MHz	66MHz	3x	Off	On	Off	Off	Off	Off
--------	-------	----	-----	----	-----	-----	-----	-----

CPU SPEED SELECTION (INTEL MMX)

CPU speed	Clock speed	Multiplier	SW1/1	SW1/2	SW1/3	SW1/4	SW1/5	SW1/6
166MHz	66MHz	2.5x	On	On	Off	Off	Off	Off
200MHz	66MHz	3x	Off	On	Off	Off	Off	Off
233MHz	66MHz	3.5x	Off	Off	Off	Off	Off	Off

CPU TYPE SELECTION

Type	JV1
All CPU types	Open
Intel Pentium Overdrive only	Closed



RISER CARD

CONNECTIONS

Purpose	Location	Purpose	Location
ATX power connector	ATX	Audio in – CD-ROM	J6

System fan power	C1	Audio in – CD-ROM	J7
Chassis fan power	C2	Soft off power supply	JSW1
IDE interface 1	CN1	32-bit PCI slots	PC1 – PC2
IDE interface 2	CN2	Power LED & keylock	U1/pins 1 – 5
Floppy drive interface	CN3	Speaker	U1/pins 7 - 10
USB connector	CN4	IDE interface LED	U1/pins 12 & 24
IR connector	IR1	Turbo LED	U1/pins 14 & 15
Green PC LED	J1	Green PC connector	U1/pins 17 & 18
Green PC connector	J2	Reset switch	U1/pins 21 & 22
Wake on modem connector	J3	Wake on LAN connector	WOL
Chassis intrusion connector	J4		
Note: The ATX power connector is located on the backside of the riser card.			

USER CONFIGURABLE SETTINGS		
Function	Label	Position
» Factory configured - do not alter	J9	Unidentified