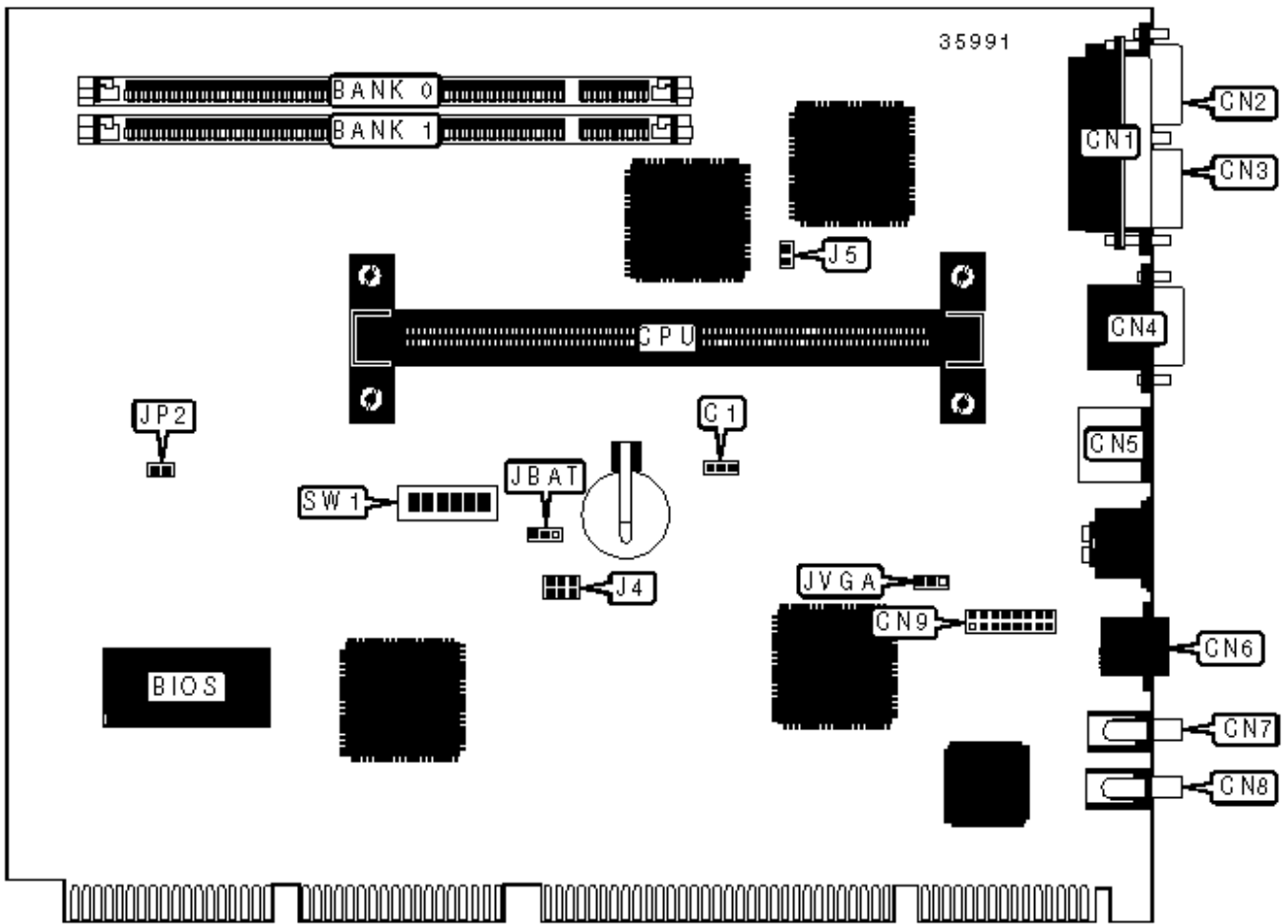


MS-6125

Configuration



CONNECTIONS

Purpose	Location	Purpose	Location
CPU fan power	C1	Ethernet 10BaseT connector	CN6
Parallel port	CN1	Line in	CN7
Serial port 1	CN2	Line out	CN8
VGA port	CN3	Game/MIDI interface	CN9
Serial port 2	CN4	SB-link connector	J4
PS/2 mouse port	CN5	Temperature sensor connector	J5

USER CONFIGURABLE SETTINGS

Function	Label	Position
» CMOS memory normal operation	JBAT	Pins 1 & 2 closed
CMOS memory clear	JBAT	Pins 2 & 3 closed
Power on mode select boot up by switch	JP2	Closed
Power on mode select immediate boot up	JP2	Open
On board video enabled	JVGA	Pins 1 & 2 closed
On board video disabled	JVGA	Pins 2 & 3 closed

DIMM CONFIGURATION

Size	Bank 0	Bank 2
8MB	(1) 1M x 64	None
16MB	(1) 2M x 64	None
16MB	(1) 1M x 64	(1) 1M x 64
24MB	(1) 2M x 64	(1) 1M x 64
32MB	(1) 4M x 64	None
32MB	(1) 2M x 64	(1) 2M x 64

40MB	(1) 4M x 64	(1) 1M x 64
48MB	(1) 4M x 64	(1) 2M x 64
64MB	(1) 8M x 64	None
64MB	(1) 4M x 64	(1) 4M x 64
72MB	(1) 8M x 64	(1) 1M x 64
80MB	(1) 8M x 64	(1) 2M x 64
96MB	(1) 8M x 64	(1) 4M x 64
128MB	(1) 8M x 64	(1) 8M x 64
128MB	(1) 16M x 64	None
136MB	(1) 16M x 64	(1) 1M x 64
144MB	(1) 16M x 64	(1) 2M x 64
160MB	(1) 16M x 64	(1) 4M x 64
192MB	(1) 16M x 64	(1) 8M x 64
256MB	(1) 16M x 64	(1) 16M x 64
256MB	(1) 32M x 64	None
264MB	(1) 32M x 64	(1) 1M x 64

DIMM CONFIGURATION (CON'T)

Size	Bank 0	Bank 1
272MB	(1) 32M x 64	(1) 2M x 64
288MB	(1) 32M x 64	(1) 4M x 64
320MB	(1) 32M x 64	(1) 8M x 64
384MB	(1) 32M x 64	(1) 16M x 64
512MB	(1) 32M x 64	(1) 32M x 64

Note: Board accepts EDO & SDRAM memory.

CACHE CONFIGURATION

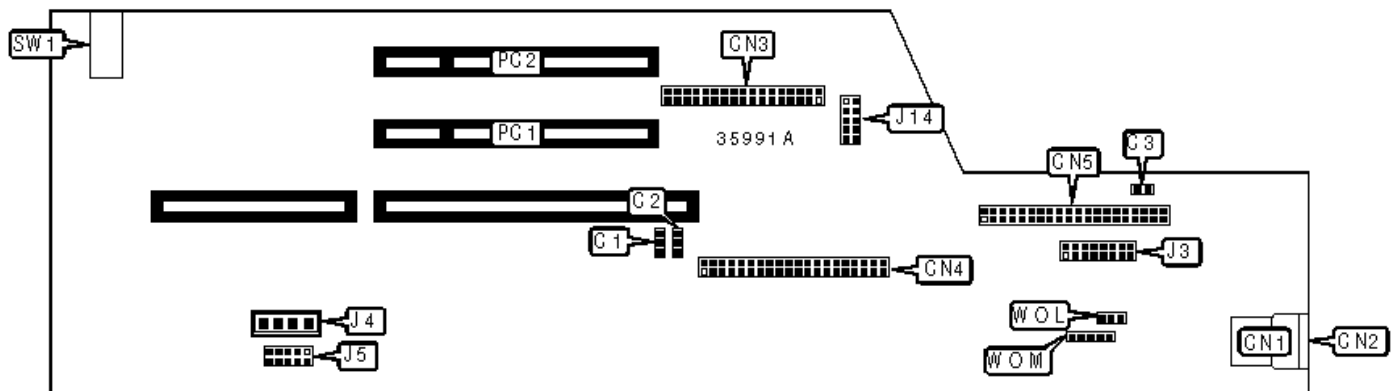
Note: 256KB/512KB cache is located on the Pentium II CPU.

VIDEO MEMORY CONFIGURATION

Note: The location of the video memory is unidentified.

CPU SPEED SELECTION

CPU speed	Clock speed	Multiplier	SW1/1	SW1/2	SW1/3	SW1/4	SW1/5	SW1/6
200MHz	66MHz	3x	On	On	Off	On	Off	Off
233MHz	66MHz	3.5x	On	Off	Off	On	Off	Off
266MHz	66MHz	4x	On	On	On	Off	Off	Off
300MHz	66MHz	4.5x	On	Off	On	Off	Off	Off
333MHz	66MHz	5x	On	On	Off	Off	Off	Off



RISER CARD

CONNECTIONS

Purpose	Location	Purpose	Location
ATX power connector	ATX	Case connector	J3
Power fan power	C1	Audio in – CD-ROM	J4
Chassis fan power	C2	Line out, line, microphone in	J5
Microphone in	C3	CD-ROM power connector	J14

USB connector 1	CN1	32-bit PCI slots	PC1 – PC2
USB connector 2	CN2	Chassis intrusion switch	SW1
Floppy drive interface	CN3	Wake on LAN connector	WOL
IDE interface 2	CN4	Wake on modem connector	WOM
IDE interface 1	CN5		
Note: The ATX power connector is located on the backside of the riser card.			