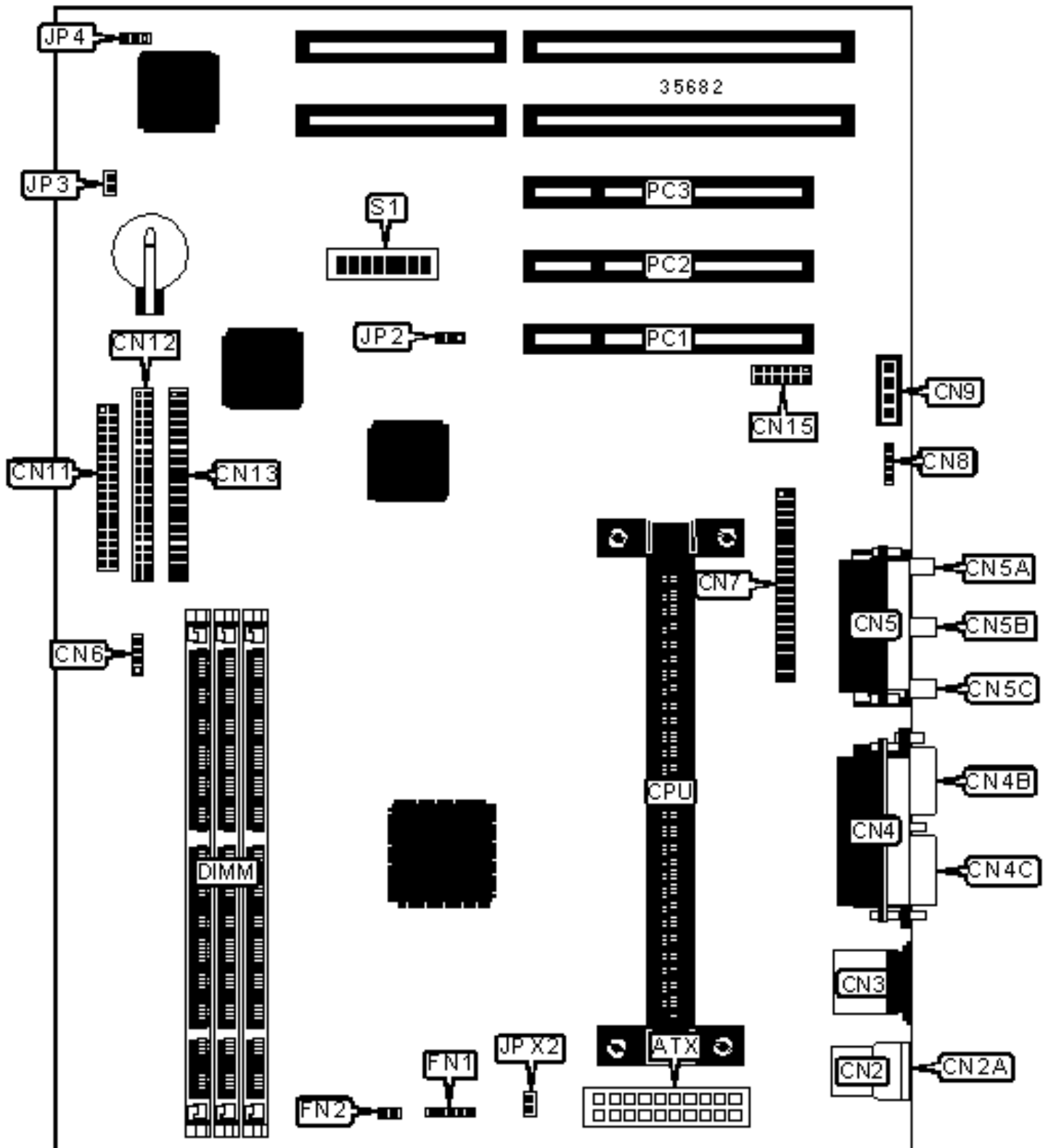


IBM CORPORATION

APTIVA 2139 SL-A

Configuration



CONNECTIONS

Purpose	Location	Purpose	Location
ATX power connector	ATX	AMC connector	CN7
USB connector 1	CN2	Modem connector	CN8
USB connector 2	CN2A	Audio in – CD-ROM	CN9
PS/2 mouse port	CN3	Wake on modem connector	CN10
Parallel port	CN4	Floppy drive interface	CN11
Serial port 1	CN4B	IDE interface 1	CN12
VGA port	CN4C	IDE interface 2	CN13
Game/MIDI port	CN5	CS4610 connector	CN15
Microphone in	CN5A	CPU fan power	FN1
Line in	CN5B	CPU fan power	FN2
Line out	CN5C	Power LED & keylock	JP4
IDE interface LED	CN6	32-bit PCI slots	PC1 – PC3
Note: The location of CN10 is unidentified.			

USER CONFIGURABLE SETTINGS

Function	Label	Position
Audio resource write protected	J1	Pins 1 & 2 closed
Audio resource programmable	J1	Pins 2 & 3 closed
VGA IRQ disabled	JP2	Pins 1 & 2 closed
VGA IRQ enabled	JP2	Pins 2 & 3 closed
» Factory configured - do not alter	JP3	Unidentified
» Factory configured - do not alter	JPX2	Unidentified
Password enabled	S1/2	Off
Password disabled	S1/2	On

»	Factory configured - do not alter	S1/3	Unidentified
»	Factory configured - do not alter	S1/4	Unidentified
Note: The location of J1 is unidentified.			

DIMM CONFIGURATION			
Size	Bank 0	Bank 1	Bank 2
16MB	(1) 2M x 64	None	None
32MB	(1) 4M x 64	None	None
32MB	(1) 2M x 64	(1) 2M x 64	None
48MB	(1) 4M x 64	(1) 2M x 64	None

DIMM CONFIGURATION (CON'T)			
Size	Bank 0	Bank 1	Bank 2
48MB	(1) 2M x 64	(1) 2M x 64	(1) 2M x 64
64MB	(1) 8M x 64	None	None
64MB	(1) 4M x 64	(1) 2M x 64	(1) 2M x 64
64MB	(1) 4M x 64	(1) 4M x 64	None
80MB	(1) 8M x 64	(1) 2M x 64	None
80MB	(1) 4M x 64	(1) 4M x 64	(1) 2M x 64
96MB	(1) 8M x 64	(1) 2M x 64	(1) 2M x 64
96MB	(1) 8M x 64	(1) 4M x 64	None
96MB	(1) 4M x 64	(1) 4M x 64	(1) 4M x 64
112MB	(1) 8M x 64	(1) 4M x 64	(1) 2M x 64
128MB	(1) 16M x 64	None	None
128MB	(1) 8M x 64	(1) 4M x 64	(1) 4M x 64
128MB	(1) 8M x 64	(1) 8M x 64	None

144MB	(1) 16M x 64	(1) 2M x 64	None
144MB	(1) 8M x 64	(1) 8M x 64	(1) 2M x 64
160MB	(1) 16M x 64	(1) 2M x 64	(1) 2M x 64
160MB	(1) 16M x 64	(1) 4M x 64	None
160MB	(1) 8M x 64	(1) 8M x 64	(1) 4M x 64
176MB	(1) 16M x 64	(1) 4M x 64	(1) 2M x 64
192MB	(1) 16M x 64	(1) 4M x 64	(1) 4M x 64
192MB	(1) 16M x 64	(1) 8M x 64	None
192MB	(1) 8M x 64	(1) 8M x 64	(1) 8M x 64
208MB	(1) 16M x 64	(1) 8M x 64	(1) 2M x 64
224MB	(1) 16M x 64	(1) 8M x 64	(1) 4M x 64
256MB	(1) 16M x 64	(1) 8M x 64	(1) 8M x 64
384MB	(1) 16M x 64	(1) 16M x 64	(1) 16M x 64

Note: Board accepts SDRAM memory.

CACHE CONFIGURATION

Note: 512KB cache is located on the Pentium II CPU.

VIDEO MEMORY CONFIGURATION

Note: 4MB video memory is factory installed and is not configurable. The location is unidentified.

CPU SPEED SELECTION

CPU speed	Clock speed	Multiplier	S1/1	S1/5	SW1/6	S1/7	S1/8
350MHz	100MHz	3.5x	Off	On	On	Off	On
400MHz	100MHz	4x	Off	Off	On	On	On
450MHz	100MHz	4.5x	Off	Off	On	Off	On

