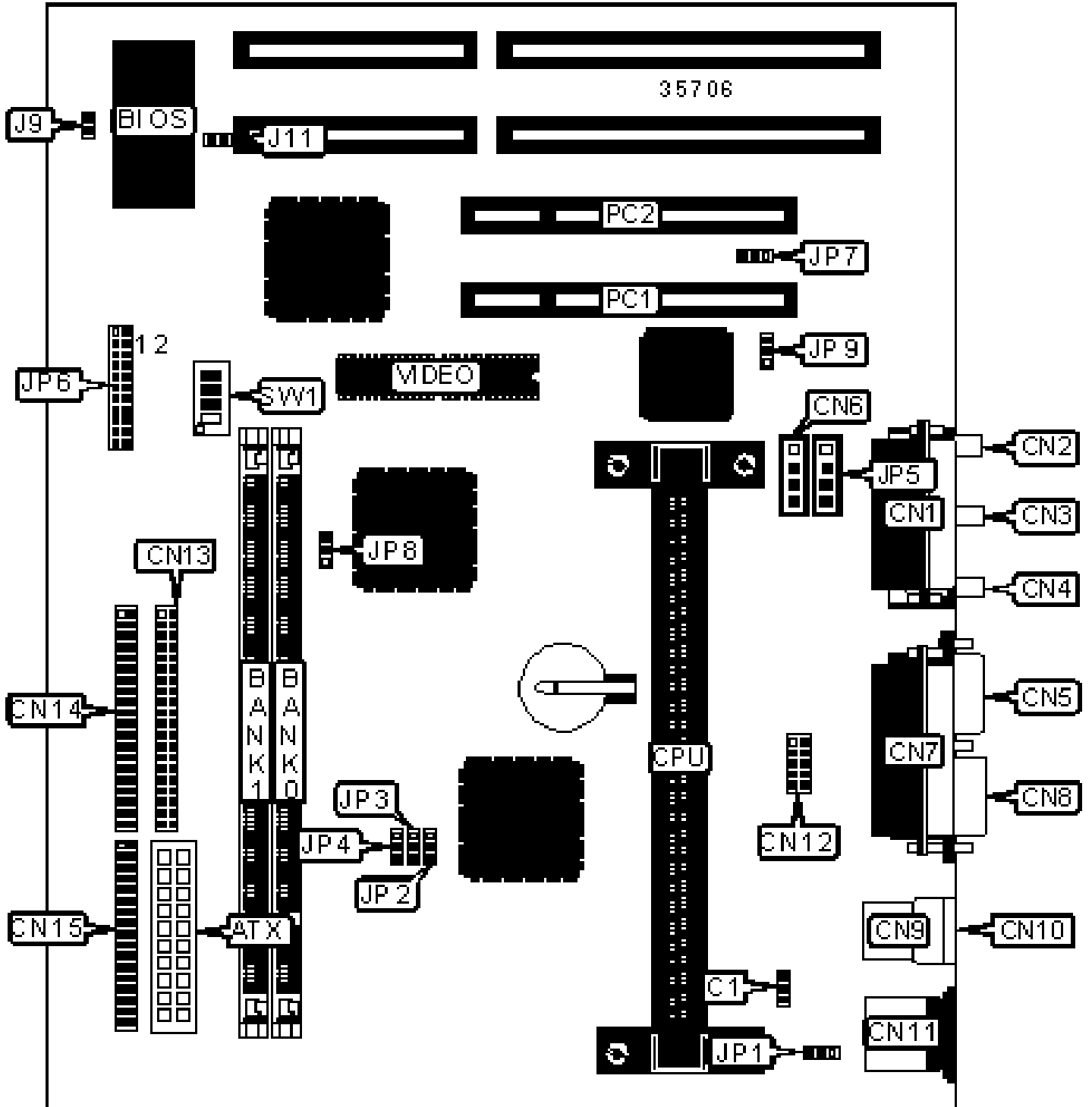


Configuration



CONNECTIONS

Purpose	Location	Purpose	Location
ATX power connector	ATX	IDE interface 2	CN13
CPU fan power	C1	IDE interface 1	CN14
Game/MIDI port	CN1	Floppy drive interface	CN15
Microphone in	CN2	Wake on modem connector	J11
Line in	CN3	Audio in – CD-ROM	JP5
Line out	CN4	Green PC LED	JP6/pins 1 & 12
VGA port	CN5	Reset switch	JP6/pins 3 & 4
Audio in – CD-ROM	CN6	Speaker	JP6/pins 5 - 8
Parallel port	CN7	IDE interface LED	JP6/pins 9 & 20
Serial port 1	CN8	Green PC connector	JP6/pins 11 & 22
USB connector 1	CN9	Soft off power supply	JP6/pins 15 & 16
USB connector 2	CN10	Power LED	JP6/pins 17 - 19
PS/2 mouse port	CN11	Wake on LAN connector	JP7
Serial port 2	CN12	32-bit PCI slots	PC1 – PC2

USER CONFIGURABLE SETTINGS

Function	Label	Position
ATX power control select soft off	J9	Open
ATX power control select soft off/full on	J9	Closed
» Keyboard power on enabled	JP1	Pins 1 & 2 closed
Keyboard power on disabled	JP1	Pins 2 & 3 closed
» Onboard VGA enabled	JP8	Pins 2 & 3 closed
Onboard VGA disabled	JP8	Pins 1 & 2 closed
» On board sound enabled	JP9	Pins 1 & 2 closed

	On board sound disabled	JP9	Pins 2 & 3 closed
--	-------------------------	-----	-------------------

DIMM CONFIGURATION		
Size	Bank 0	Bank 1
8MB	(1) 1M x 64	None
16MB	(1) 2M x 64	None
16MB	(1) 1M x 64	(1) 1M x 64
24MB	(1) 2M x 64	(1) 1M x 64
32MB	(1) 4M x 64	None
32MB	(1) 2M x 64	(1) 2M x 64
40MB	(1) 4M x 64	(1) 1M x 64

DIMM CONFIGURATION (CON'T)		
Size	Bank 0	Bank 1
48MB	(1) 4M x 64	(1) 2M x 64
64MB	(1) 8M x 64	None
64MB	(1) 4M x 64	(1) 4M x 64
72MB	(1) 8M x 64	(1) 1M x 64
80MB	(1) 8M x 64	(1) 2M x 64
96MB	(1) 8M x 64	(1) 4M x 64
128MB	(1) 16M x 64	None
128MB	(1) 8M x 64	(1) 8M x 64
136MB	(1) 16M x 64	(1) 1M x 64
144MB	(1) 16M x 64	(1) 2M x 64
160MB	(1) 16M x 64	(1) 4M x 64
192MB	(1) 16M x 64	(1) 8M x 64

256MB	(1) 16M x 64	(1) 16M x 64
Note: Board accepts EDO & SDRAM memory.		

CACHE CONFIGURATION
Note: 256KB/512KB cache is located on the Pentium II CPU.

VIDEO MEMORY CONFIGURATION
Note: Video memory is factory installed and is not configurable.

CPU SPEED SELECTION					
CPU speed	Clock speed	Multiplier	JP2	JP3	JP4
200MHz	66MHz	3x	1 & 2	1 & 2	1 & 2
233MHz	66MHz	3.5x	1 & 2	1 & 2	1 & 2
266MHz	66MHz	4x	1 & 2	1 & 2	1 & 2
300MHz	66MHz	4.5x	1 & 2	1 & 2	1 & 2
333MHz	66MHz	5x	1 & 2	1 & 2	1 & 2
366MHz	66MHz	5.5x	1 & 2	1 & 2	1 & 2
Note: Pins designated should be in the closed position.					

CPU SPEED SELECTION (CON'T)						
CPU speed	Clock speed	Multiplier	SW1/1	SW1/2	SW1/3	SW1/4
200MHz	66MHz	3x	On	Off	On	On
233MHz	66MHz	3.5x	Off	Off	On	On
266MHz	66MHz	4x	On	On	Off	On
300MHz	66MHz	4.5x	Off	On	Off	On
333MHz	66MHz	5x	On	Off	Off	On

366MHz	66MHz	5.5x	Off	Off	Off	On
--------	-------	------	-----	-----	-----	----