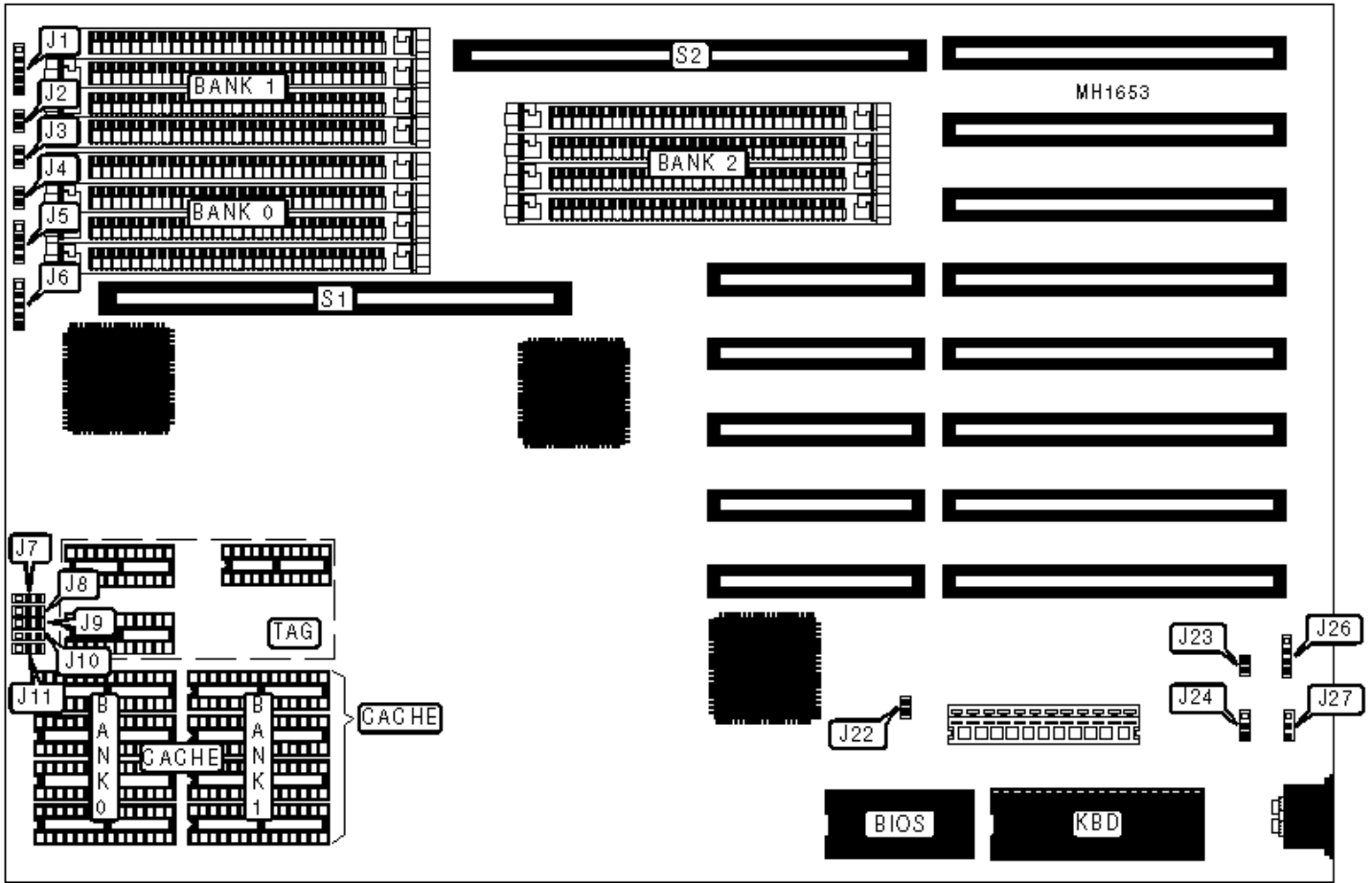


DIAMOND FLOWER, INC.

IB3486-UCB

Configuration



CONNECTIONS

Purpose	Location	Purpose	Location
Auxiliary keyboard	J1	Turbo switch	J6 and J27
Reset switch	J2 and J23	External battery	J26
Turbo LED	J3	32-bit external memory card	S1
Speaker	J4	CPU card	S2
Power LED & Keylock	J5		

USER CONFIGURABLE SETTINGS

Function	Jumper	Position
» Monitor type select color	J22	closed
Monitor type select monochrome	J22	open
» Battery select external	J24	pins 1 & 2 closed
Battery select internal	J24	pins 2 & 3 closed

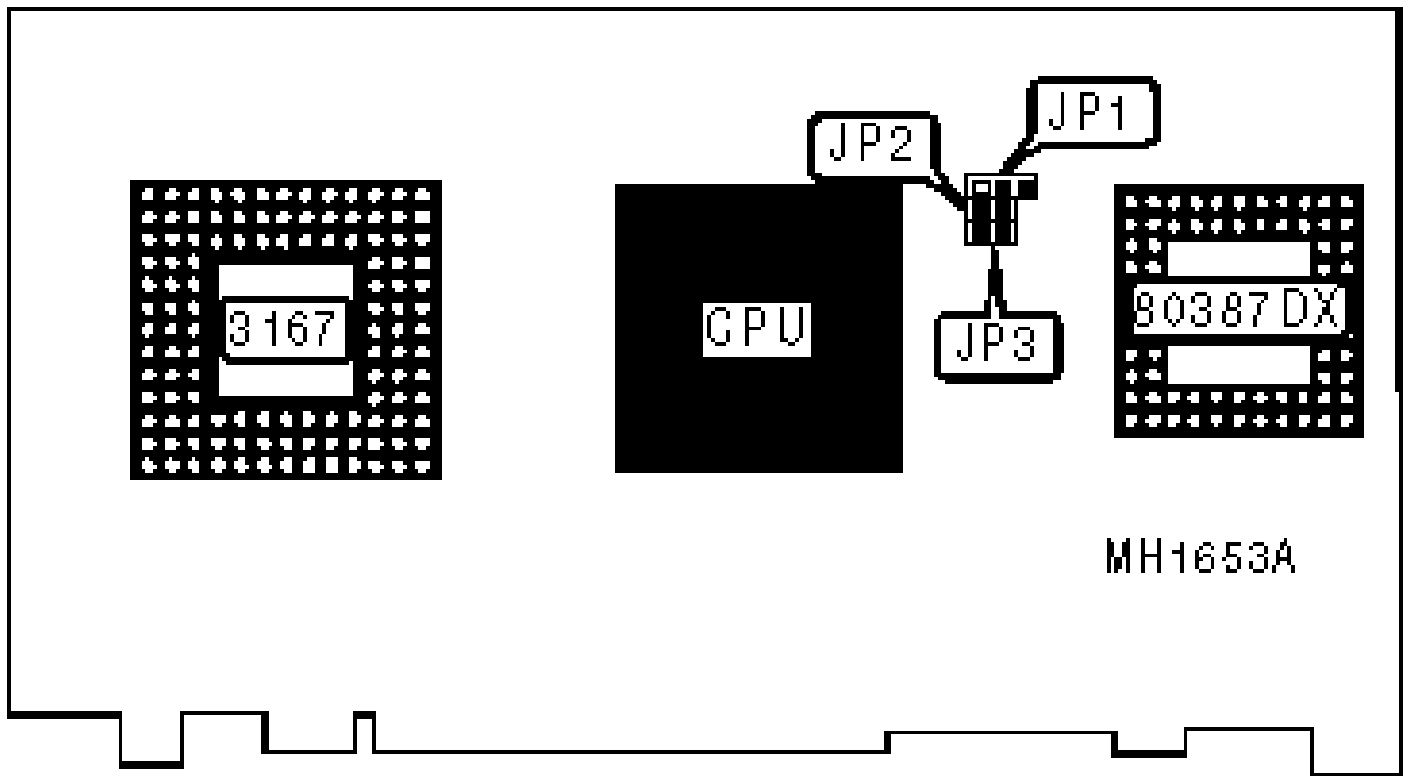
DRAM CONFIGURATION

Size	Bank 0	Bank 1	Bank 2
1MB	(4) 256K x 9	NONE	NONE
2MB	(4) 256K x 9	(4) 256K x 9	NONE
3MB	(4) 256K x 9	(4) 256K x 9	(4) 256K x 9
4MB	(4) 1M x 9	NONE	NONE
5MB	(4) 256K x 9	(4) 1M x 9	NONE
6MB	(4) 256K x 9	(4) 256K x 9	(4) 1M x 9
8MB	(4) 1M x 9	(4) 1M x 9	NONE
9MB	(4) 256K x 9	(4) 1M x 9	(4) 1M x 9
12MB	(4) 1M x 9	(4) 1M x 9	(4) 1M x 9

16MB	(4) 4M x 9	NONE	NONE
20MB	(4) 1M x 9	(4) 4M x 9	NONE
24MB	(4) 1M x 9	(4) 1M x 9	(4) 4M x 9
32MB	(4) 4M x 9	(4) 4M x 9	NONE
36MB	(4) 1M x 9	(4) 4M x 9	(4) 4M x 9
48MB	(4) 4M x 9	(4) 4M x 9	(4) 4M x 9

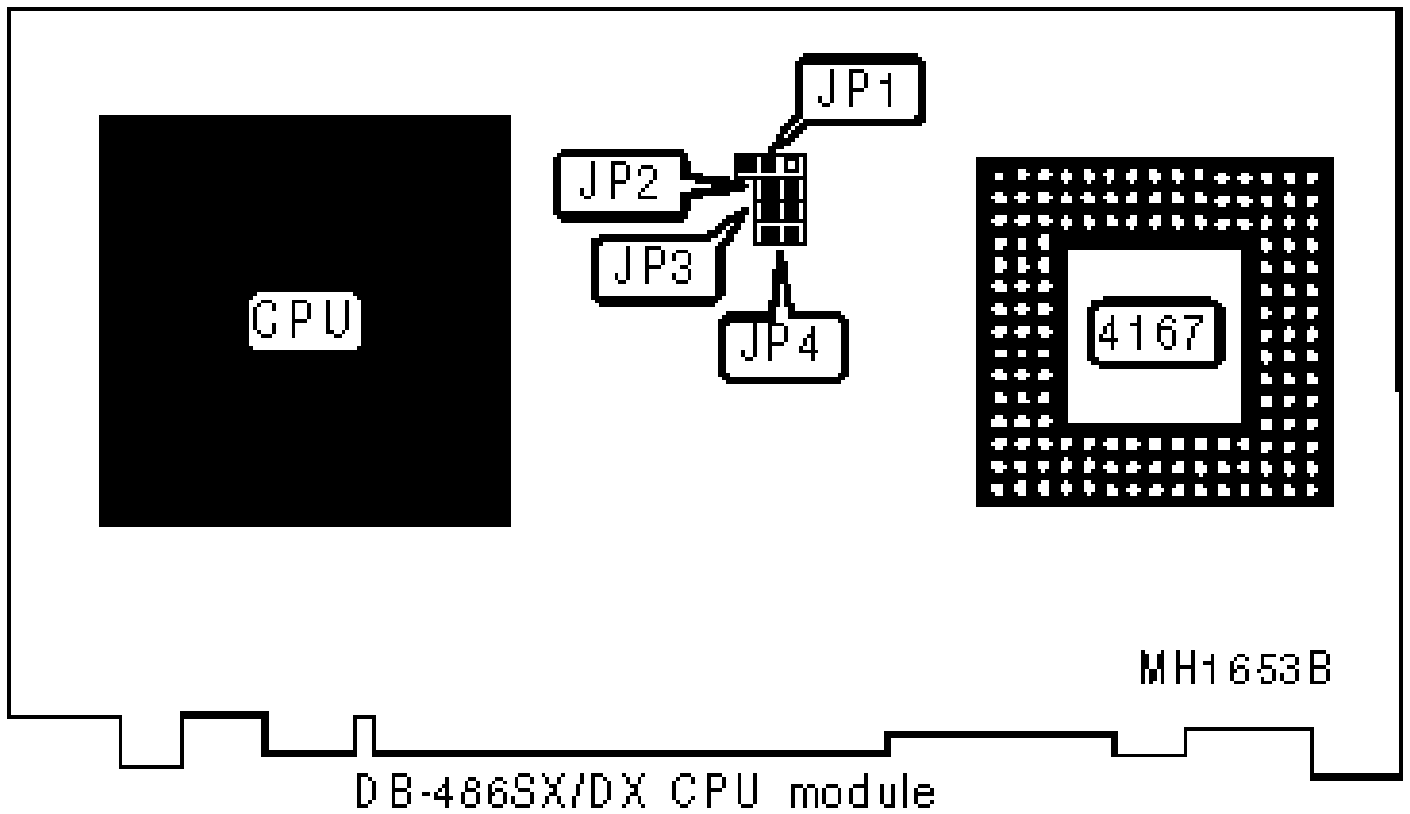
CACHE CONFIGURATION			
Size	Bank 0	Bank 1	TAG
32KB	(4) 8K x 8	NONE	(4) 16K x 4
64KB	(4) 8K x 8	(4) 8K x 8	(4) 16K x 4
128KB	(4) 32K x 8	NONE	(4) 16K x 4
256KB	(4) 32K x 8	(4) 32K x 8	(4) 16K x 4

CACHE JUMPER CONFIGURATION					
Size	J8	J9	J10	J11	J12
32KB	pins 1 & 2 closed	pins 1 & 2 closed	pins 1 & 2 closed	open	pins 2 & 3 closed
64KB	pins 2 & 3 closed	pins 1 & 2 closed	pins 1 & 2 closed	open	pins 1 & 2 closed
128KB	pins 2 & 3 closed	pins 2 & 3 closed	pins 1 & 2 closed	pins 1 & 2 closed	pins 2 & 3 closed
256KB	pins 2 & 3 closed	pins 2 & 3 closed	pins 2 & 3 closed	pins 2 & 3 closed	pins 1 & 2 closed



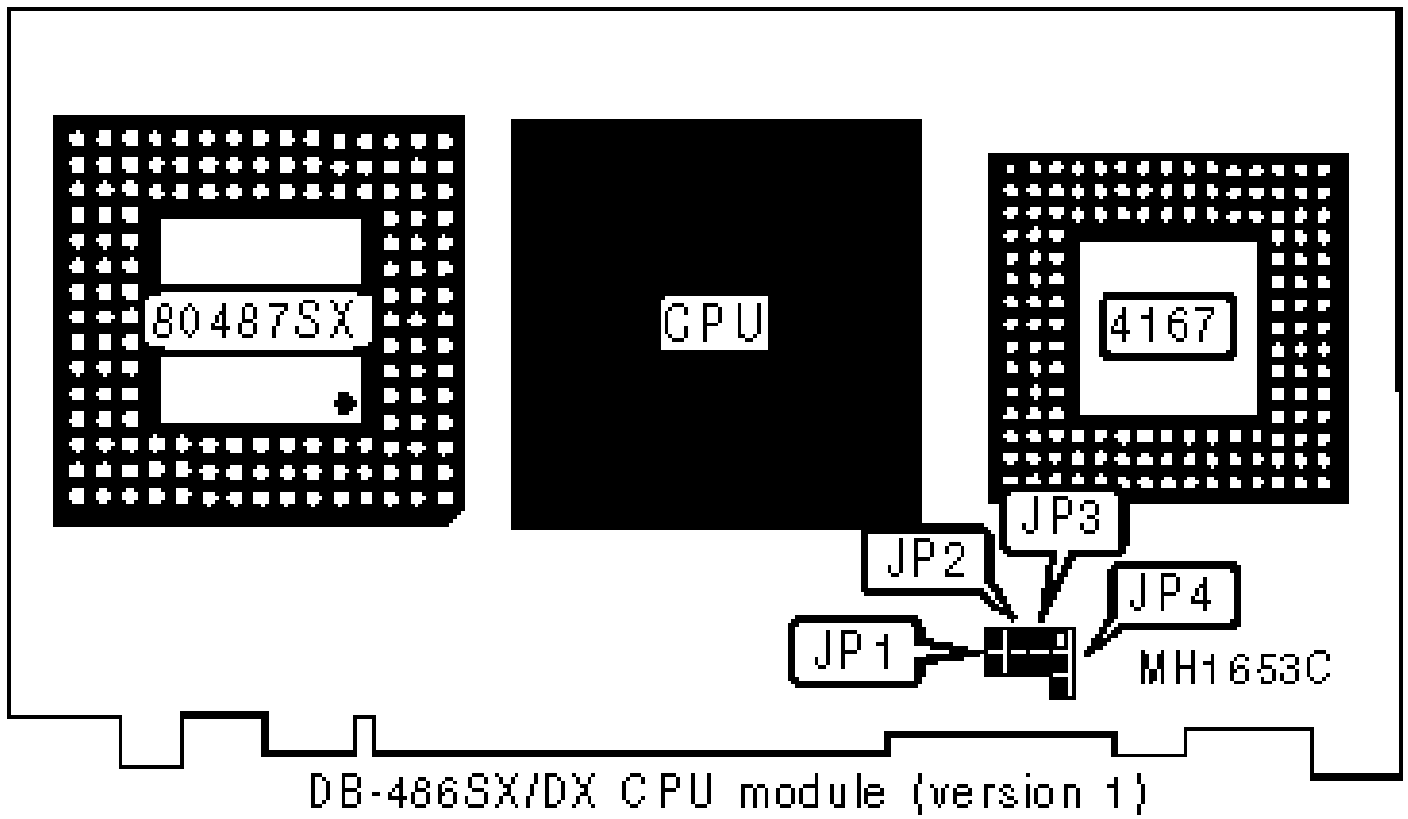
NPU CONFIGURATION (DB-386 CPU MODULE)

NPU	JP1	JP2	JP3
Enabled	pins 1 & 2 closed	Closed	Closed
Disabled	pins 2 & 3 closed	Open	Open



CPU TYPE CONFIGURATION (DB-486SX/DX CPU MODULE)

CPU	JP1	JP2	JP3	JP4
80486SX	pins 1 & 2 closed	Open	Open	Open
80486DX	pins 2 & 3 closed	Closed	Closed	Open



CPU TYPE CONFIGURATION (DB-486SX/DX CPU MODULE)

CPU	JP1	JP2	JP3	JP4
80486SX	pins 1 & 2 closed	Open	Open	Open
80486DX	pins 2 & 3 closed	Closed	Closed	Open