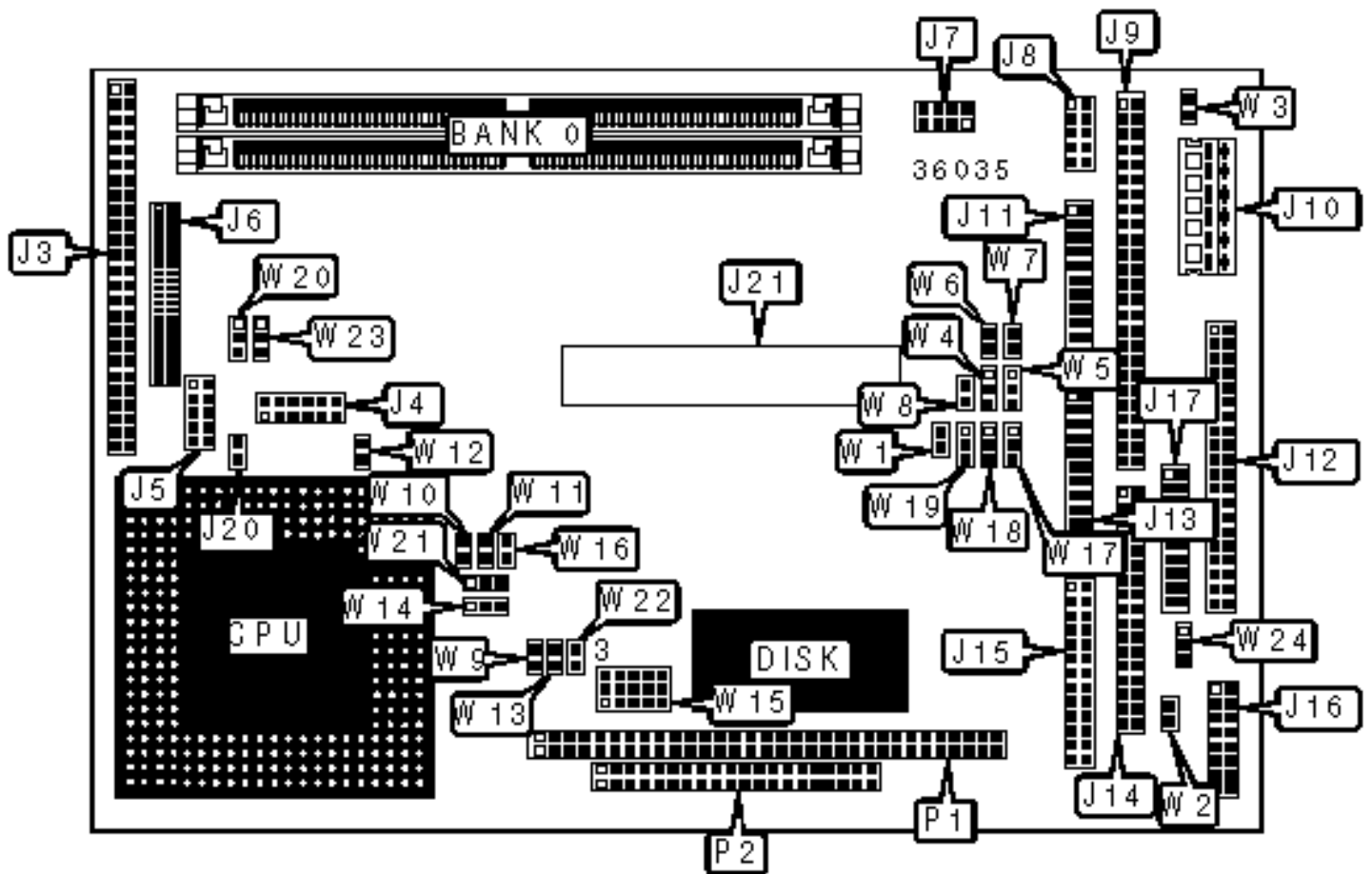


AMPRO COMPUTERS, INC.

LITTLE BOARD/P5E

Configuration



CONNECTIONS

Purpose	Location	Purpose	Location
Flat panel connector	J3	Serial port 3 & 4	J13
VEE bias supply connector	J4	Floppy drive interface	J14
VGA interface	J5	Parallel port	J15
Video external overlay connector	J6	Keyboard connector	J16
Ethernet 10BaseT connector	J7	IDE extension connector	J17
AUI connector	J8	CPU fan power	J20
SCSI interface	J9	PCI bus connector	J21
Power connector	J10	PC/104 connector	P1
Serial port 1 & 2	J11	PC/104 connector	P2
IDE interface	J12		

USER CONFIGURABLE SETTINGS

Function	Label	Position
Vee polarity select negative	W1	Pins 1 & 2 closed
Vee polarity select positive	W1	Pins 2 & 3 closed
SCSI termination enabled	W3	Closed
SCSI termination disabled	W3	Open
+5v for external serial port 4 enabled	W8	Closed
+5v for external serial port 4 disabled	W8	Open
BIOS chip select swap enabled	W9	Closed
Byte wide chip select swap enabled	W9	Open
» Factory configured - do not alter	W12	Open
BIOS 12v programming power enabled	W13	Closed
BIOS 12v programming power disabled	W13	Open

»	Factory configured - do not alter	W16	Open
	SCSI interface enabled	W17	Open
	SCSI interface disabled	W17	Closed
	Backlight enable signal select optional	W20	Pins 1 & 2 closed
	Backlight enable signal select standard	W20	Pins 2 & 3 closed
	Byte wide write enabled	W22	Closed
	Byte wide write disabled	W22	Open
»	Data valid select high to low	W23	Pins 1 & 2 closed
	Data valid select low to high	W23	Pins 2 & 3 closed

SIMM CONFIGURATION

Size	Bank 0
8MB	(2) 1M x 36
16MB	(2) 2M x 36
32MB	(2) 4M x 36
64MB	(2) 8M x 36
128MB	(2) 16M x 36

CACHE CONFIGURATION

Note: The location of the cache is unidentified.

VIDEO MEMORY CONFIGURATION

Note: The location of the video memory is unidentified.

CPU SPEED SELECTION

CPU speed	Clock speed	Multiplier	W10	W11	W14
-----------	-------------	------------	-----	-----	-----

100MHz	66MHz	1.5x	Closed	Closed	2 & 3
133MHz	66MHz	2x	Open	Closed	2 & 3
166MHz	66MHz	2.5x	Open	Open	2 & 3

Note: Pins designated should be in the closed position.

DMA CHANNEL SELECTION

Channel	W18	W19
1	Pins 1 & 2 closed	Pins 1 & 2 closed
3	Pins 2 & 3 closed	Pins 2 & 3 closed

SERIAL PORT 3 ADDRESS SELECTION

Setting	W4	W6
IRQ4, shared with serial 1	Pins 1 & 2 closed	Open
Serial 3, IRQ12/serial 1 IRQ4	Pins 2 & 3 closed	Closed

SERIAL PORT 4 ADDRESS SELECTION

Setting	W5	W7
IRQ3, shared with serial 2	Pins 1 & 2 closed	Open
Serial 4, IRQ10/serial 2 IRQ3	Pins 2 & 3 closed	Closed

WATCHDOG TIMER SELECTION

Setting	W24
IOCHK	Pins 1 & 2 closed
Reset	Pins 2 & 3 closed
Disabled	Open

EPROM SELECTION

Type	W2	W15	W21
27C64	Open	8 & 9, 14 & 15	2 & 3
27C128	Open	8 & 9, 14 & 15	2 & 3
28C64	Open	8 & 9, 14 & 15	2 & 3
27C256	Open	9 & 12, 14 & 15	1 & 2
27C512	Open	9 & 12, 10 & 11, 14 & 15	1 & 2
27C010	Open	2 & 5, 7 & 8, 9 & 12, 10 & 11	1 & 2
27C020	Open	2 & 5, 7 & 8, 9 & 12, 10 & 11, 13 & 14	1 & 2
27C040	Open	2 & 5, 4 & 7, 9 & 12, 10 & 11, 13 & 14	1 & 2
27C080	Open	4 & 7, 5 & 6, 9 & 12, 10 & 11, 13 & 14	1 & 2

Note: Pins designated should be in the closed position.

FLASH EPROM SELECTION

Type	W2	W15	W21
29C256	Open	8 & 11, 9 & 12, 14 & 15	1 & 2
28C256	Open	8 & 9, 11 & 12, 14 & 15	1 & 2
29F512	Open	4 & 5, 7 & 8, 9 & 12, 10 & 11, 13 & 14	1 & 2
29F010	Open	4 & 5, 7 & 8, 9 & 12, 10 & 11, 13 & 14	1 & 2
29F020	Open	4 & 5, 7 & 8, 9 & 12, 10 & 11, 13 & 14	1 & 2
29F040	Open	4 & 5, 7 & 8, 9 & 12, 10 & 11, 13 & 14	1 & 2
28F256	Open	2 & 5, 7 & 8, 9 & 12, 10 & 11, 13 & 14	1 & 2
28F512	Open	2 & 5, 7 & 8, 9 & 12, 10 & 11, 13 & 14	1 & 2
28F010	Open	2 & 5, 7 & 8, 9 & 12, 10 & 11, 13 & 14	1 & 2
28F020	Open	2 & 5, 7 & 8, 9 & 12, 10 & 11, 13 & 14	1 & 2

Note: Pins designated should be in the closed position.

SRAM SELECTION

Type	W2	W15	W21
43256	Closed	7 & 10, 8 & 9, 11 & 12, 14 & 15	2 & 3
628128	Closed	7 & 10, 8 & 9, 11 & 12, 14 & 15	2 & 3
DS1235Y	Closed	7 & 10, 8 & 9, 11 & 12, 14 & 15	2 & 3
BQ4013Y	Closed	7 & 10, 8 & 9, 11 & 12, 14 & 15	2 & 3
628512	Closed	4 & 5, 7 & 10, 8 & 9, 11 & 12, 13 & 14	2 & 3
DS1650Y	Closed	4 & 5, 7 & 10, 8 & 9, 11 & 12, 13 & 14	2 & 3
BQ4015Y	Closed	4 & 5, 7 & 10, 8 & 9, 11 & 12, 13 & 14	2 & 3

Note: Pins designated should be in the closed position.