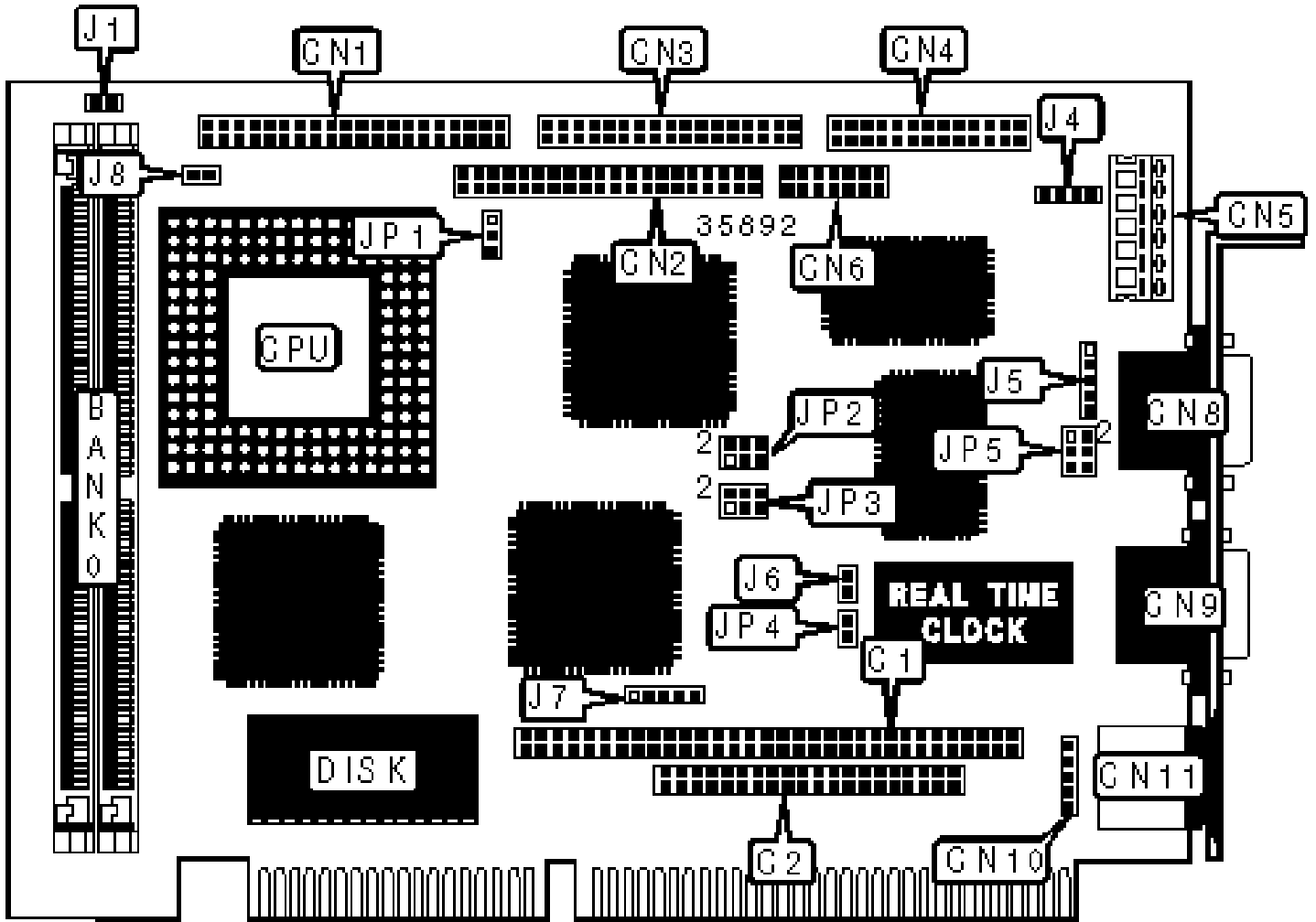


AAEON TECHNOLOGY, INC.

SBC-456

Configuration



CONNECTIONS

Purpose	Location	Purpose	Location
PC/104 connector	C1	VGA port	CN9
PC/104 connector	C2	Auxiliary keyboard connector	CN10
IDE interface	CN1	PS/2 mouse port	CN11
LCD connector	CN2	IDE interface LED	J1
Floppy drive interface	CN3	Speaker	J4
Parallel port	CN4	IR connector	J5
5v power	CN5	Power LED & keylock	J7
Serial port	CN6	Chassis fan power	J8
Serial port	CN8	Reset switch	JP4

USER CONFIGURABLE SETTINGS

Function	Label	Position
» CMOS memory normal operation	J6	Open
CMOS memory clear	J6	Closed
» SHF CLK from C & T chipset	JP1	Pins 2 & 3 closed
ASHF CLK from C & T chipset	JP1	Pins 1 & 2 closed

SIMM CONFIGURATION

Size	Bank 0
8MB	(2) 1M x 36
16MB	(2) 2M x 36
32MB	(2) 4M x 36
64MB	(2) 8M x 36

Note: Board accepts EDO memory.

CACHE CONFIGURATION

Note: The location of the cache is unidentified.

VIDEO MEMORY CONFIGURATION

Note: The location of the video memory is unidentified.

SERIAL PORT SELECTION

Type	JP5
» RS-232	Pins 1 & 2 closed
RS-422	Pins 3 & 4 closed
RS-485	Pins 5 & 6 closed

LCD VOLTAGE SELECTION

Voltage	JP2
3.3v	Pins 1 & 3, 2 & 4 closed
» 5v	Pins 3 & 5, 4 & 6 closed

DISK ADDRESS SELECTION

Address	JP3
CC00	Open
D000	Pins 1 & 2 closed
D400	Pins 3 & 4 closed
D800	Pins 1 & 2, 3 & 4 closed
DC00	Pins 5 & 6 closed