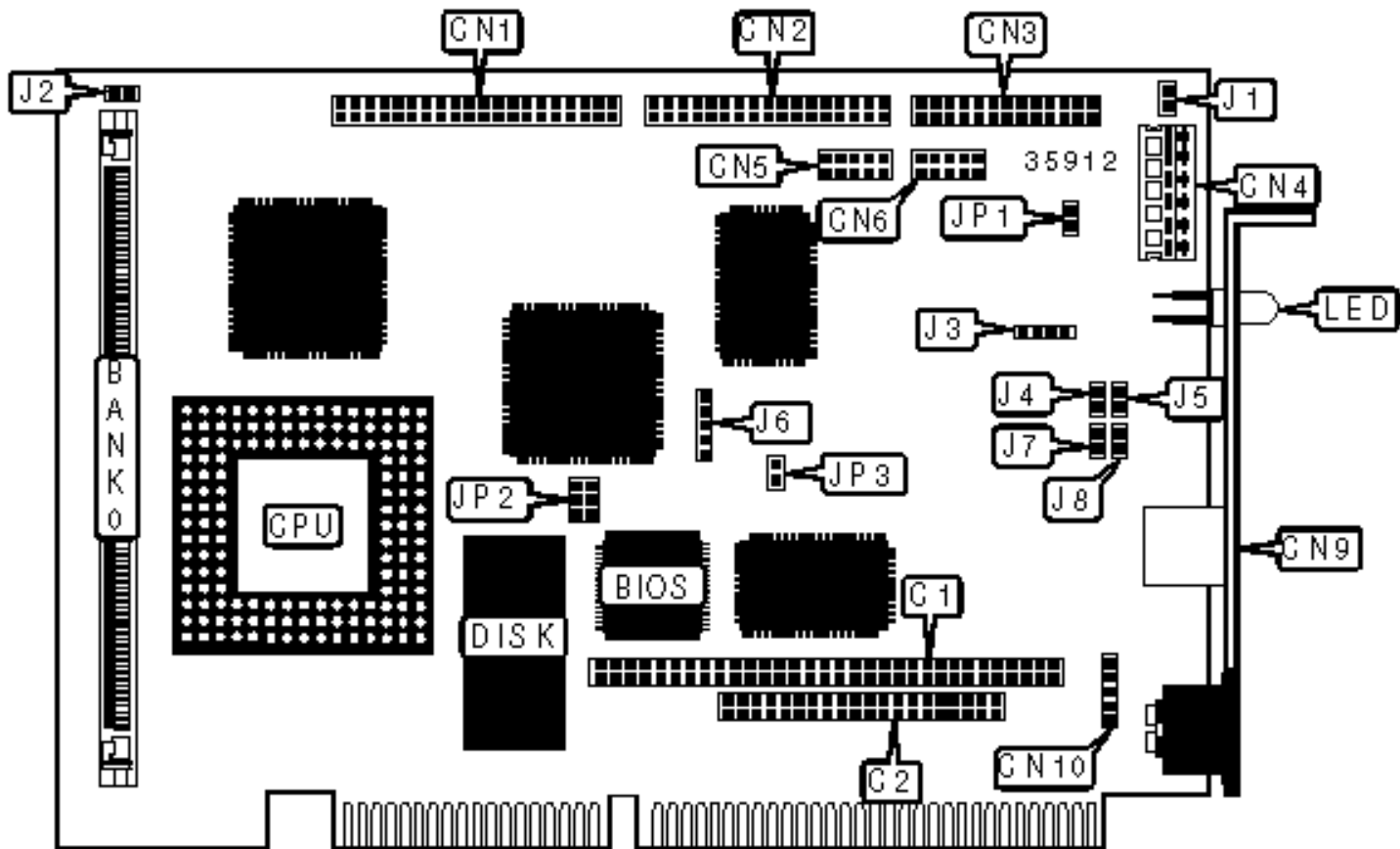


AAEON TECHNOLOGY, INC.

SBC-411

Configuration



## CONNECTIONS

Purpose	Location	Purpose	Location
PC/104 connector	C1	Auxilliary keyboard connector	CN10
PC/104 connector	C2	Power LED	J1
IDE interface	CN1	IDE interface LED	J2
Floppy drive interface	CN2	Speaker	J3
Parallel port	CN3	LED_RX PCI	J4
3.3v power	CN4	LED_LINK PCI	J5
Serial port 1	CN5	Power LED & keylock	J6
Serial port 2	CN6	LED_LINK ISA	J7
Ethernet 10BaseT connector	CN8	LED_RX ISA	J8
DC_JACK connector	CN9	Reset switch	JP1

Note: The location of CN8 is unidentified.

## USER CONFIGURABLE SETTINGS

Function	Label	Position
» CMOS memory normal operation	JP3	Open
CMOS memory clear	JP3	Closed

## SIMM CONFIGURATION

Size	Bank 0
4MB	(2) 1M x 36
8MB	(2) 2M x 36
16MB	(2) 4M x 36
32MB	(2) 8M x 36

Note: Board accepts EDO memory.

## DISK ADDRESS SELECTION

Address	JP2
CC00	Open
D000	Pins 1 & 2 closed
D400	Pins 3 & 4 closed
D800	Pins 1 & 2, 3 & 4 closed
DC00	Pins 5 & 6 closed