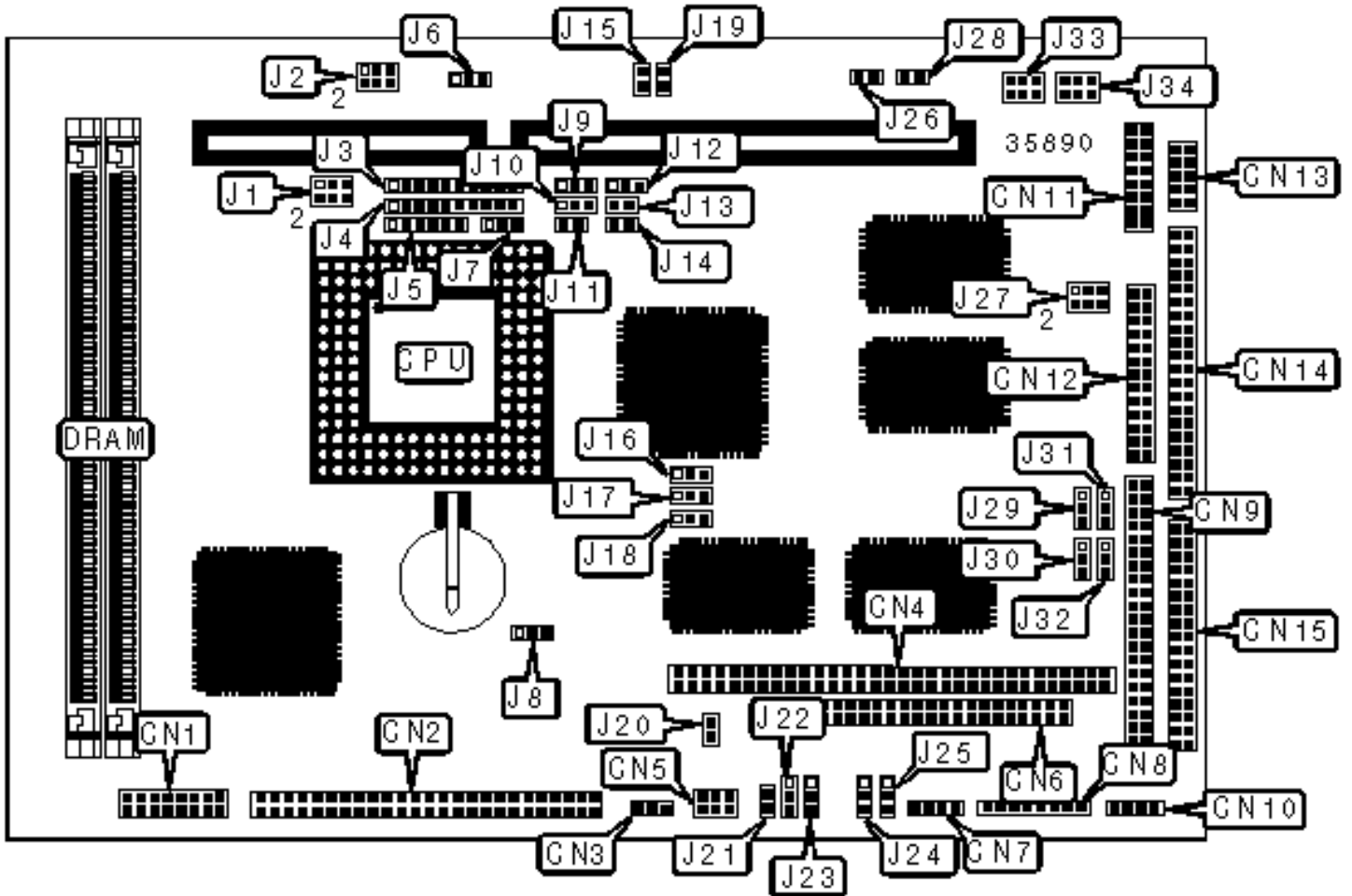


AAEON TECHNOLOGY, INC.

PCM-4890

Configuration



CONNECTIONS

Purpose	Location	Purpose	Location
VGA interface	CN1	Main power connector	CN10
Flat panel connector	CN2	AUI connector	CN11
Chassis fan power	CN3	Parallel port	CN12
PC/104 connector	CN4	Ethernet 10BaseT connector	CN13
Front panel connector	CN5	Serial port	CN14
PC/104 connector	CN6	Floppy drive interface	CN15
Power connector	CN7	Ethernet LED	J26
PS/2 mouse/keyboard interface	CN8	Ethernet LED	J28
IDE interface	CN9		

USER CONFIGURABLE SETTINGS

Function	Label	Position
» CMOS memory normal operation	J8	Pins 1 & 2 closed
CMOS memory clear	J8	Pins 2 & 3 closed
Cache type select write through	J12	Closed
Cache type select write back	J12	Open
Watchdog timer reset	J19	Open
Watchdog timer IRQ15	J19	Closed
Buzzer enabled	J21	Closed
Buzzer disabled	J21	Open
» Parallel port IRQ select IRQ7	J23	Pins 2 & 3 closed
Parallel port IRQ select IRQ5	J23	Pins 1 & 2 closed

SIMM CONFIGURATION

Size	Bank 0	Bank 1
1MB	(1) 256K x 36	None
2MB	(1) 512K x 36	None
2MB	(1) 256K x 36	(1) 256K x 36
3MB	(1) 512K x 36	(1) 256K x 36
4MB	(1) 1M x 36	None
4MB	(1) 512K x 36	(1) 512K x 36
5MB	(1) 1M x 36	(1) 256K x 36
6MB	(1) 1M x 36	(1) 512K x 36
8MB	(1) 2M x 36	None
8MB	(1) 1M x 36	(1) 1M x 36
9MB	(1) 2M x 36	(1) 256K x 36
10MB	(1) 2M x 36	(1) 512K x 36

SIMM CONFIGURATION (CON'T)

Size	Bank 0	Bank 1
12MB	(1) 2M x 36	(1) 1M x 36
16MB	(1) 4M x 36	None
16MB	(1) 2M x 36	(1) 2M x 36
17MB	(1) 4M x 36	(1) 256K x 36
18MB	(1) 4M x 36	(1) 512K x 36
20MB	(1) 4M x 36	(1) 1M x 36
24MB	(1) 4M x 36	(1) 2M x 36
32MB	(1) 8M x 36	None
32MB	(1) 4M x 36	(1) 4M x 36
33MB	(1) 8M x 36	(1) 256K x 36

34MB	(1) 8M x 36	(1) 512K x 36
36MB	(1) 8M x 36	(1) 1M x 36
40MB	(1) 8M x 36	(1) 2M x 36
48MB	(1) 8M x 36	(1) 4M x 36
64MB	(1) 8M x 36	(1) 8M x 36

CACHE CONFIGURATION

Note: The location of the cache is unidentified.

VIDEO MEMORY CONFIGURATION

Note: The location of the video memory is unidentified.

CPU SPEED SELECTION

Speed	J16	J17	J18
33MHz	Pins 1 & 2 closed	Pins 2 & 3 closed	Pins 2 & 3 closed
40MHz	Pins 2 & 3 closed	Pins 1 & 2 closed	Pins 1 & 2 closed
66iMHz	Pins 1 & 2 closed	Pins 2 & 3 closed	Pins 2 & 3 closed
80iMHz	Pins 2 & 3 closed	Pins 1 & 2 closed	Pins 1 & 2 closed
100iMHz	Pins 1 & 2 closed	Pins 2 & 3 closed	Pins 2 & 3 closed
120iMHz	Pins 2 & 3 closed	Pins 1 & 2 closed	Pins 1 & 2 closed
133iMHz	Pins 1 & 2 closed	Pins 2 & 3 closed	Pins 2 & 3 closed

CPU TYPE SELECTION

Type	J3	J4	J5
CX486DX2	Open	1 & 2, 3 & 4, 5 & 6, 7 & 8, 9 & 10	Open
AM486DX2	Open	Open	1 & 2, 3 & 4, 5 & 6

80486DX2	1 & 2, 3 & 4, 5 & 6, 7 & 8, 9 & 10	Open	Open
CX486DX4	1 & 2, 3 & 4, 5 & 6, 7 & 8, 9 & 10	Open	Open
AM486DX4-100	1 & 2, 3 & 4, 5 & 6, 7 & 8, 9 & 10	Open	Open
AM486DX4-120	1 & 2, 3 & 4, 5 & 6, 7 & 8, 9 & 10	Open	Open
80486DX4	1 & 2, 3 & 4, 5 & 6, 7 & 8, 9 & 10	Open	Open
CX 5X86	Open	1 & 2, 3 & 4, 5 & 6, 7 & 8, 9 & 10	Open
AM 5X86	1 & 2, 3 & 4, 5 & 6, 7 & 8, 9 & 10	Open	Open

Note: Pins designated should be in the closed position.

CPU TYPE SELECTION (CON'T)

Type	J7	J9	J10	J11
CX486DX2	1 & 2	1 & 2	1 & 2	Closed
AM486DX2	2 & 3	1 & 2	1 & 2	Closed
80486DX2	2 & 3	1 & 2	1 & 2	Closed
CX486DX4	1 & 2	1 & 2	1 & 2	Closed
AM486DX4-100	1 & 2	1 & 2	1 & 2	Closed
AM486DX4-120	2 & 3	1 & 2	1 & 2	Closed
80486DX4	2 & 3	1 & 2	1 & 2	Closed
CX 5X86	1 & 2	1 & 2	1 & 2	Closed
AM 5X86	2 & 3	1 & 2	1 & 2	Closed

Note: Pins designated should be in the closed position.

CPU MULTIPLIER SELECTION

Multiplier	J13	J14
1x	Open	Open
2x	Closed	Closed

CPU VOLTAGE SELECTION (SINGLE)	
Voltage	J1
3v	Pins 1 & 3, 2 & 4 closed
5v	Pins 3 & 5, 4 & 6 closed

CPU VOLTAGE SELECTION (DUAL)	
Voltage	J2
» 3.3v	Pins 1 & 2 closed
3.45v	Pins 3 & 4 closed
3.6v	Pins 5 & 6 closed

DMA CHANNEL SELECTION		
Channel	J6	J22
» 1	Pins 1 & 2 closed	Pins 1 & 2 closed
3	Pins 2 & 3 closed	Pins 2 & 3 closed

SERIAL PORT 2 SELECTION	
Setting	J27
RS-232	Pins 1 & 2 closed
RS-422	Pins 3 & 4 closed
RS-485	Pins 5 & 6 closed

SERIAL PORT VOLTAGE SELECTION				
Setting	J29	J30	J31	J32
RS-232	Pins 1 & 2 closed	Pins 1 & 2 closed	Pins 1 & 2 closed	Pins 1 & 2 closed

RS-422	Pins 2 & 3 closed	Pins 2 & 3 closed	Pins 2 & 3 closed	Pins 2 & 3 closed
RS-485	Pins 2 & 3 closed	Pins 2 & 3 closed	Pins 2 & 3 closed	Pins 2 & 3 closed

SERIAL PORT COM3 INTERRUPT SELECTION	
IRQ	J24
IRQ5	Pins 1 & 2 closed
IRQ10	Pins 2 & 3 closed

SERIAL PORT COM4 INTERRUPT SELECTION	
IRQ	J25
IRQ5	Pins 1 & 2 closed
IRQ10	Pins 2 & 3 closed

SERIAL PORT COM3/4 VOLTAGE SELECTION		
Voltage	J33	J34
Ring	Pins 1 & 2 closed	Pins 1 & 2 closed
5v	Pins 3 & 4 closed	Pins 3 & 4 closed
12v	Pins 5 & 6 closed	Pins 5 & 6 closed

WATCHDOG TIMER SELECTION		
Setting	J15	J20
Enabled	Closed	Closed
Disabled	Open	Open