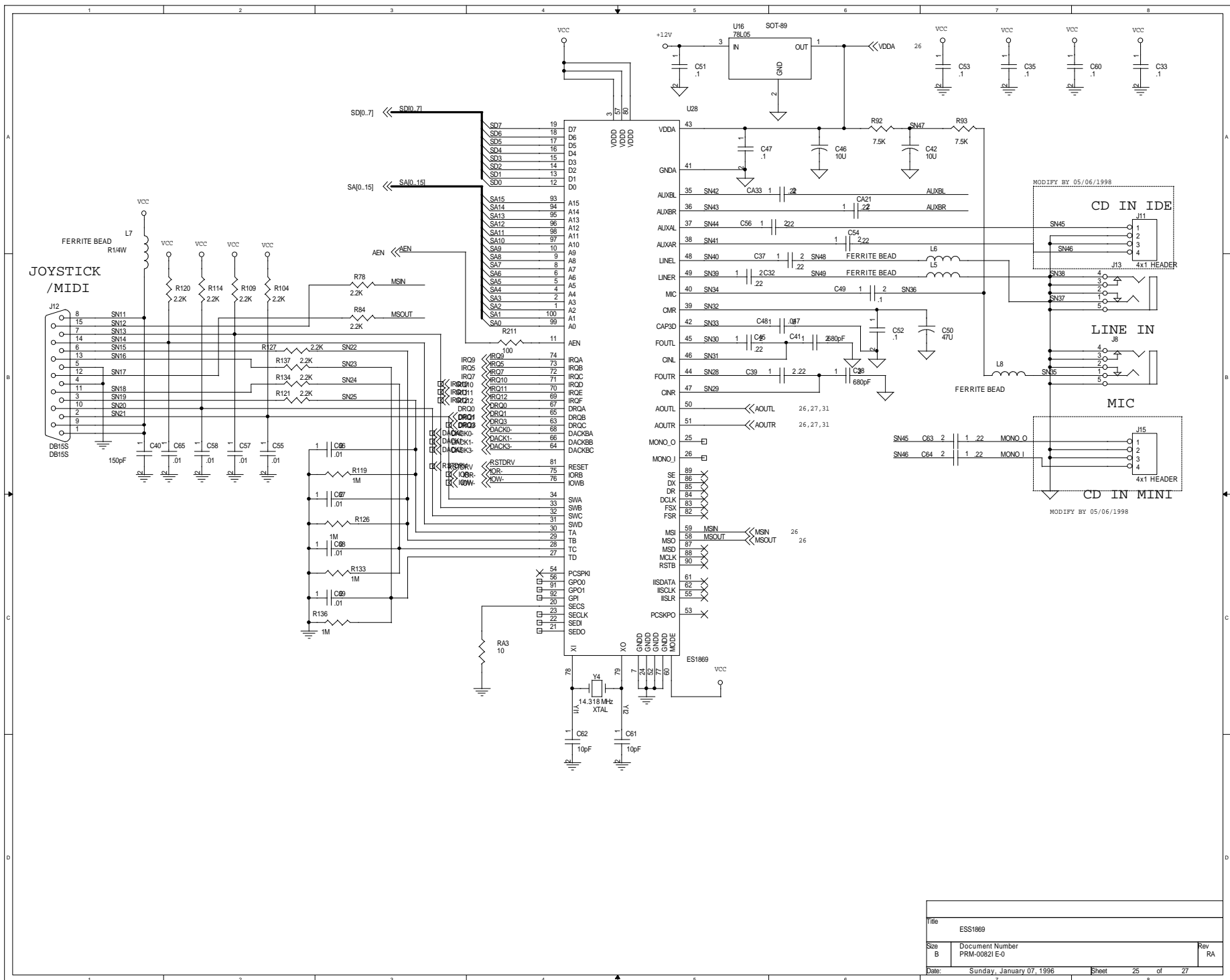
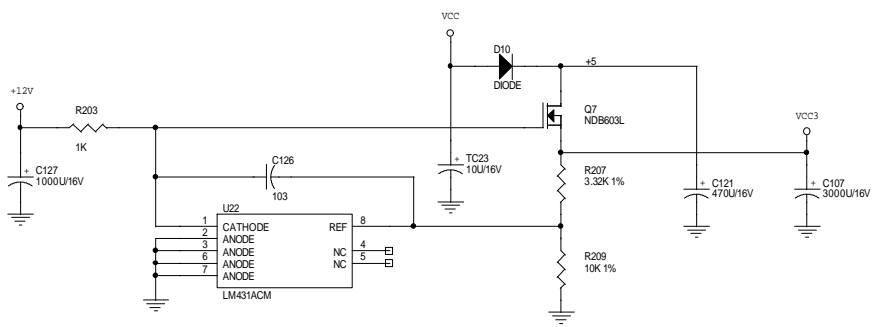
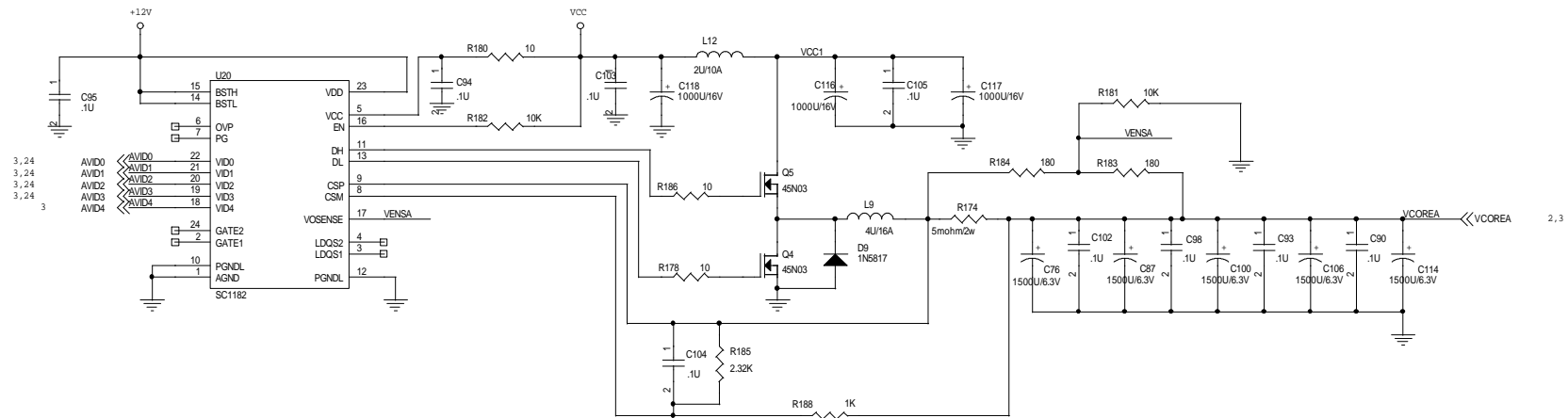


SPEAKERS

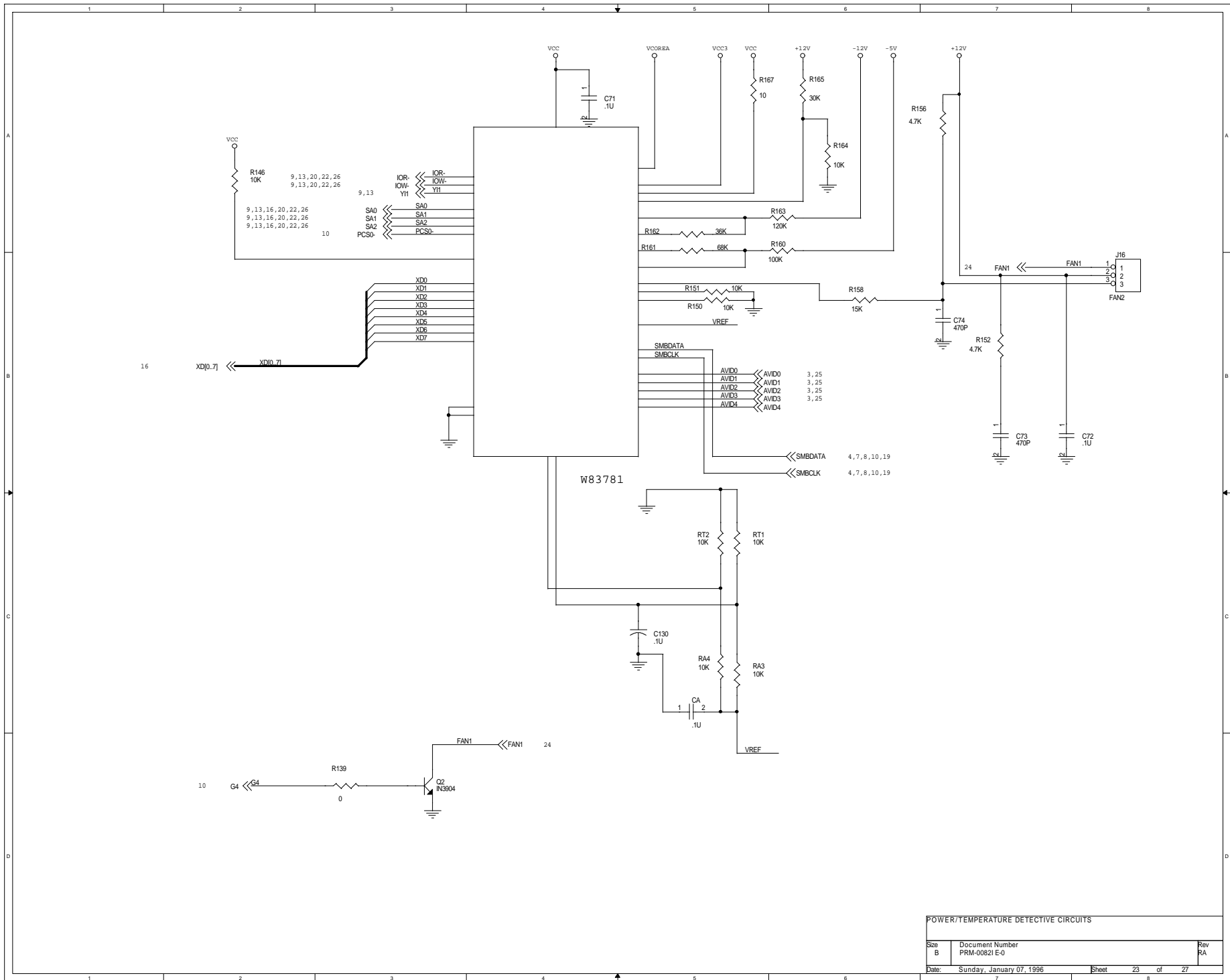
Title		
AMPLIFIER		
Size	Document Number	Rev
B	PRM-00821 E-0	RA
Date:	Sunday, January 07, 1996	Sheet 26 of 27



Title		
ESS1869		
Size	Document Number	Rev
B	PRM-00821 E-0	RA
Date:	Sunday, January 07, 1996	Sheet 25 of 27

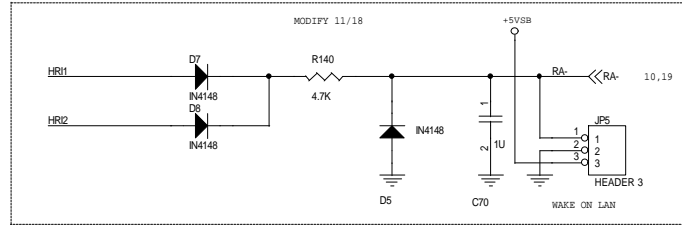


Title		
DC/DC SCH		
Size	Document Number	Rev
B	PRM-00771 E-0	
Date:	Sunday, January 07, 1996	Sheet 24 of 27

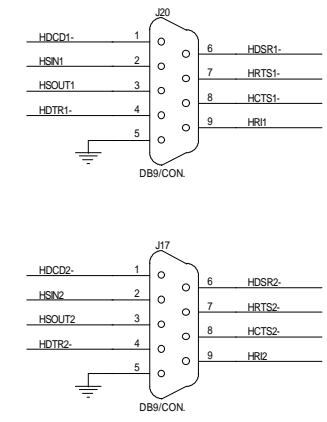
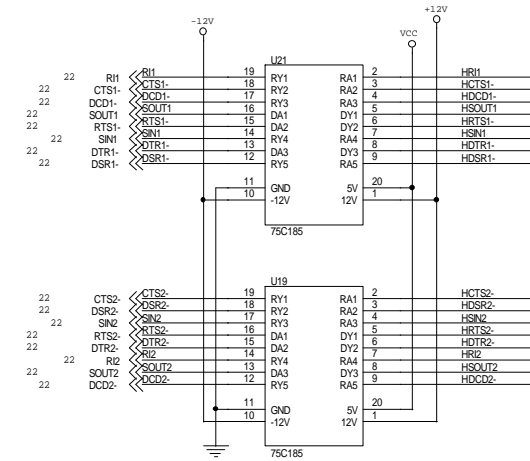
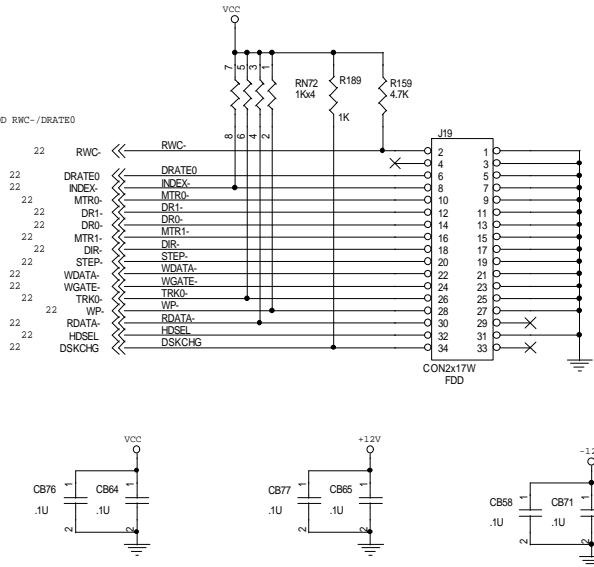


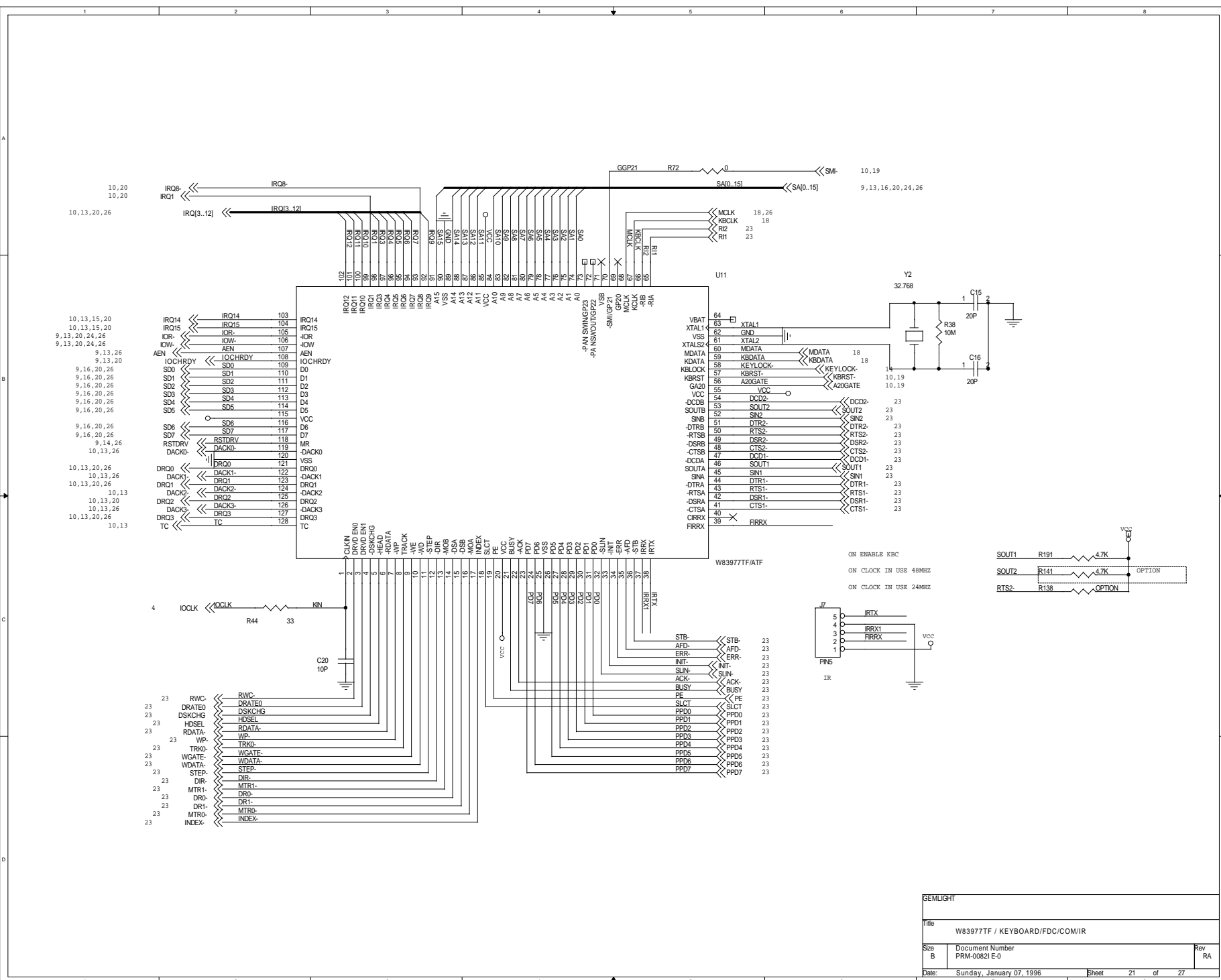
In order to minimize the crosstalk in ECP mode, the termination circuits shown below are recommended. Place all termination circuits close to the connector to avoid EMI.

ALL RNC CHANGE TO 0603 CAP



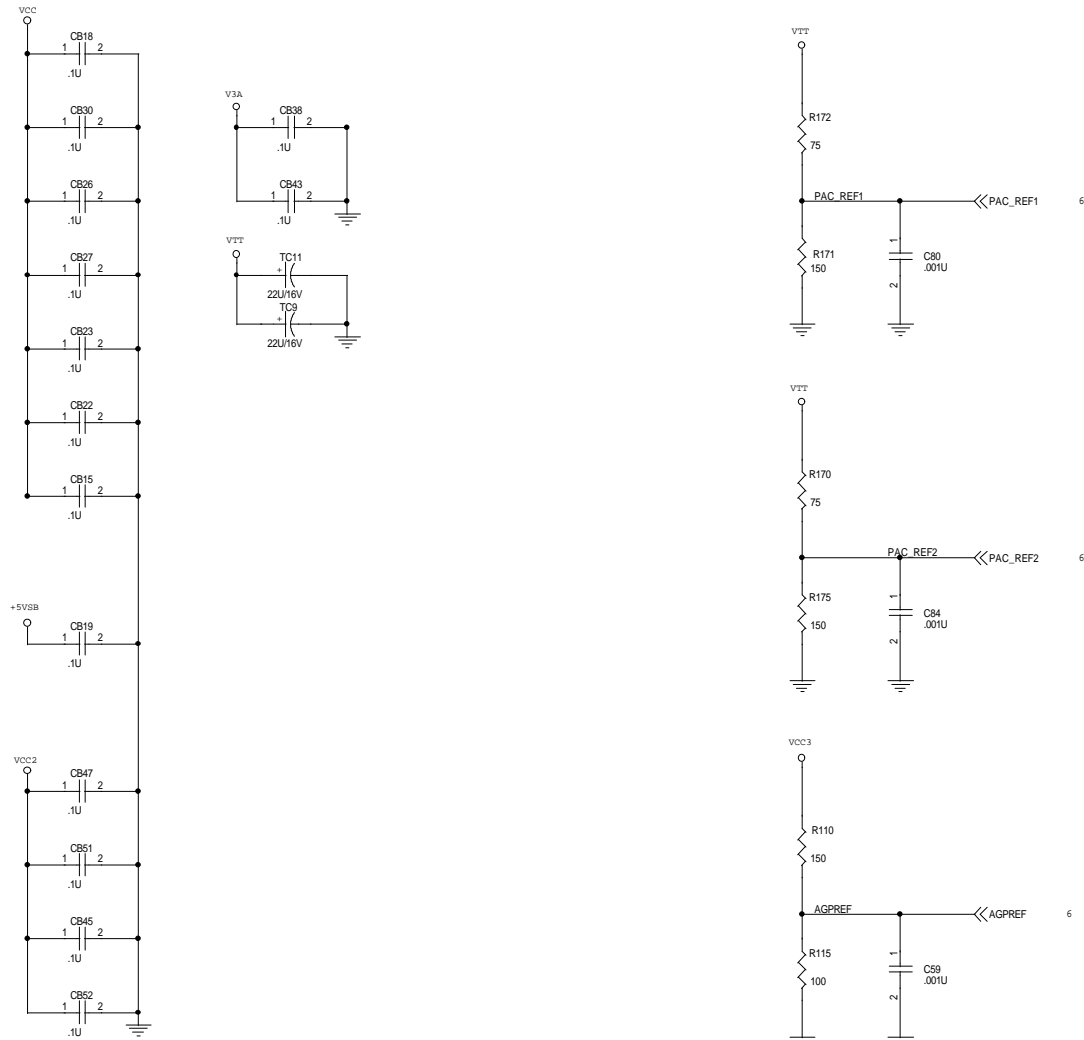
ADD RWC-/DRATE0





SEMILIGHT			
Title	W83977TF / KEYBOARD/FDC/COM/IR		
Size	Document Number	Rev	
B	PRM-00821 E-0	RA	
Date:	Sunday, January 07, 1996	Sheet	21 of 27

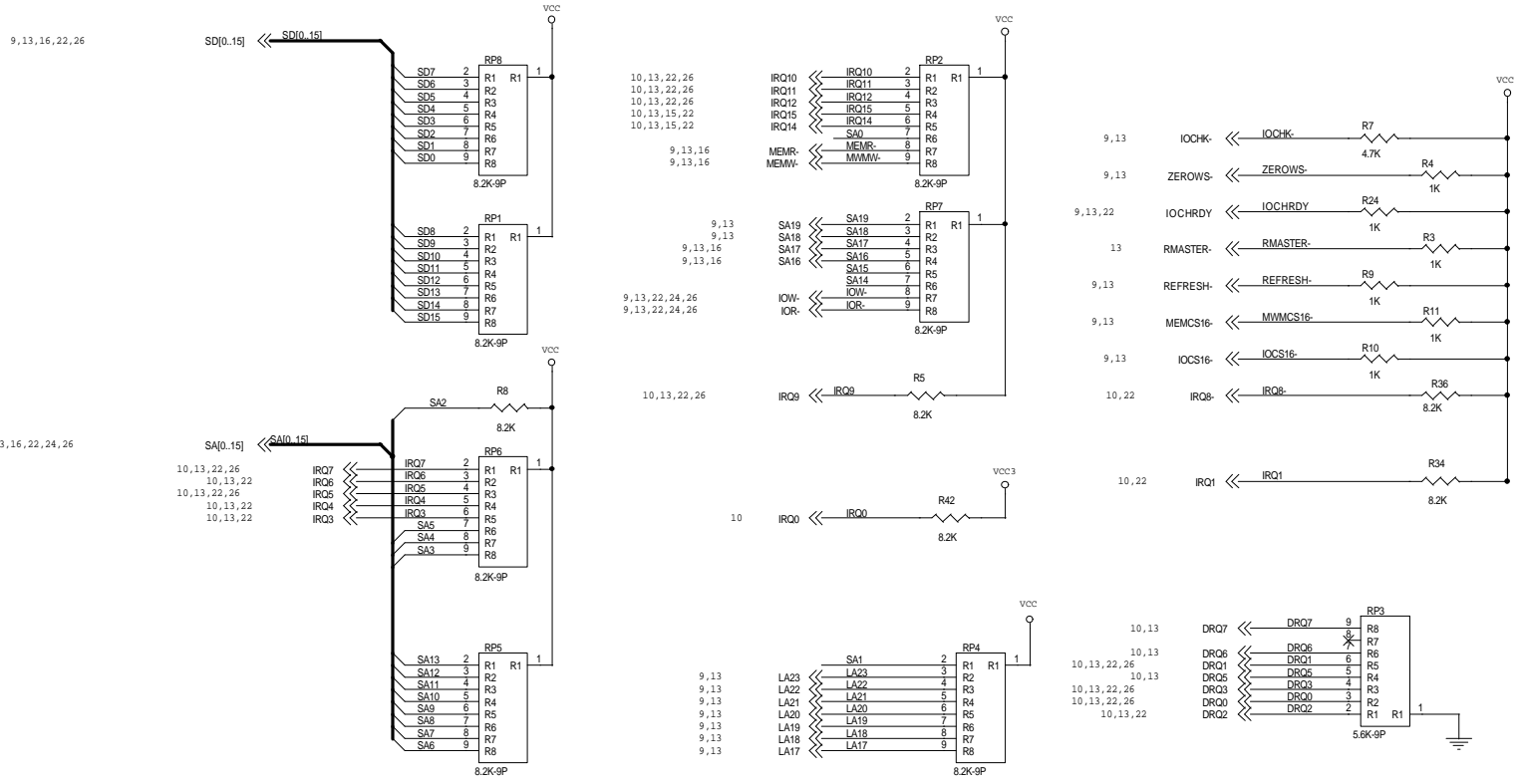
TERMINATION VOLTAGE DECOUPLING



VTT BYPASS CAPACITORS

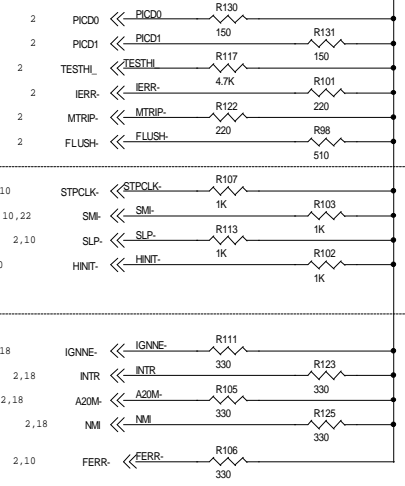
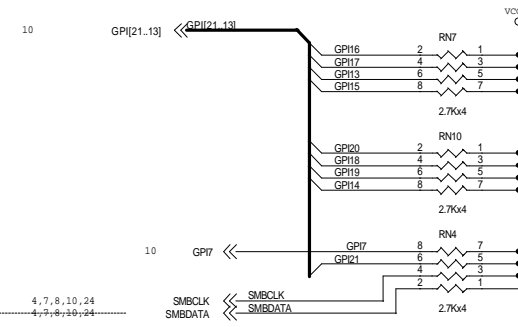
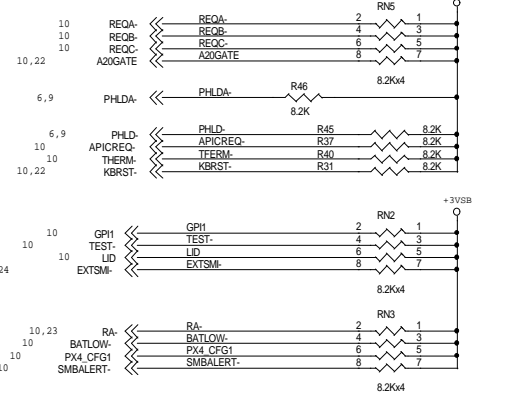
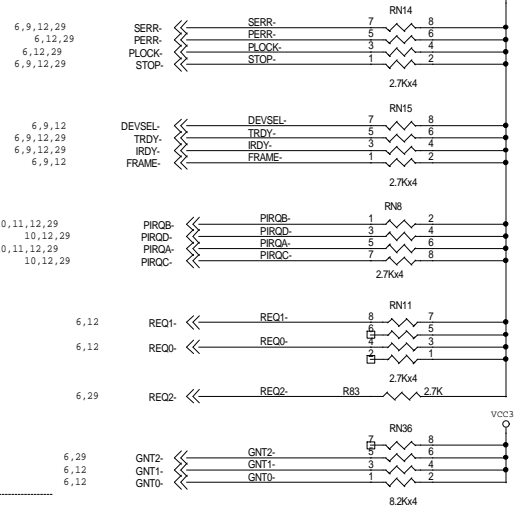
Size B	Document Number PRM-00821 E-0	Rev RA
Date:	Sunday, January 07, 1996	Sheet 20 of 27

ISA BUS RESISTORS

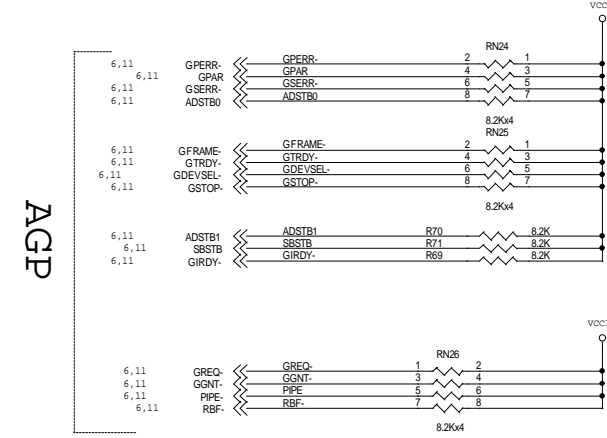


PULL UPS & PULL DOWNS		
Size	Document Number	Rev
B	PRM-00821 E-0	RA
Date:	Sunday, January 07, 1996	Sheet 19 of 27

PCI BUS



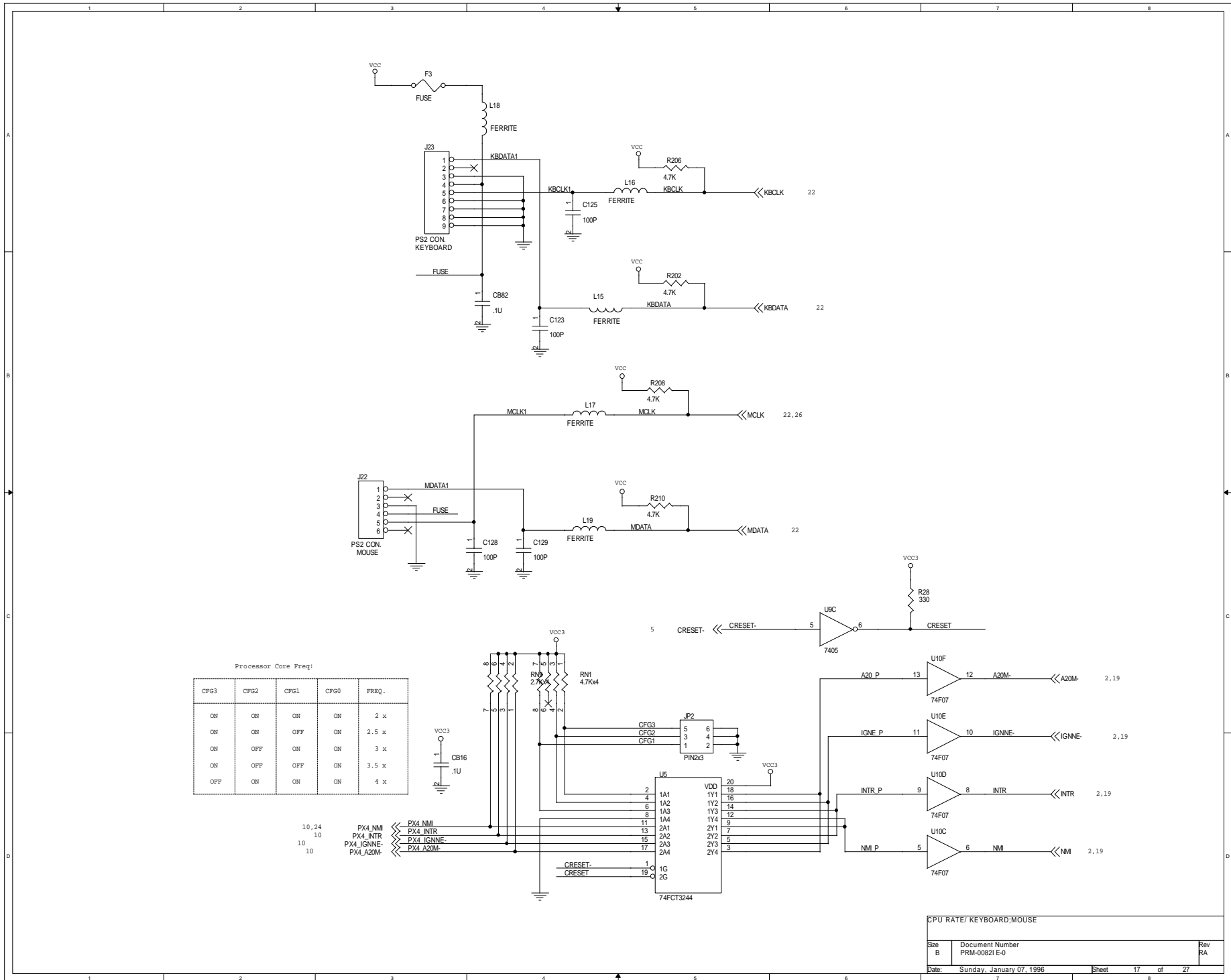
NOTE :
RESISTOR VALUES ON SIGNALS
STPCLK#, SM#, SLP#, & HINT#
ENABLE AN LAI TO BE USED FOR
BOARD DEBUG. IF AN LAI WILL
NOT BE USED FOR DEBUG THEN
THE RESISTOR VALUES SHOULD
BE CHANGED TO 1K OHM.

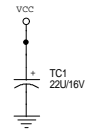
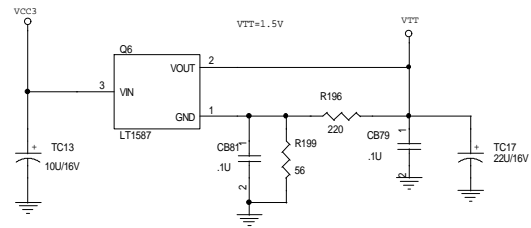


AGP

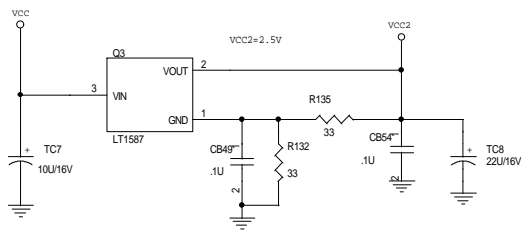
PIIX4

BUS RESISTORS		
Size	Document Number	Rev
B	PRM-00821 E-0	RA
Date:	Sunday, January 07, 1996	Sheet 18 of 27



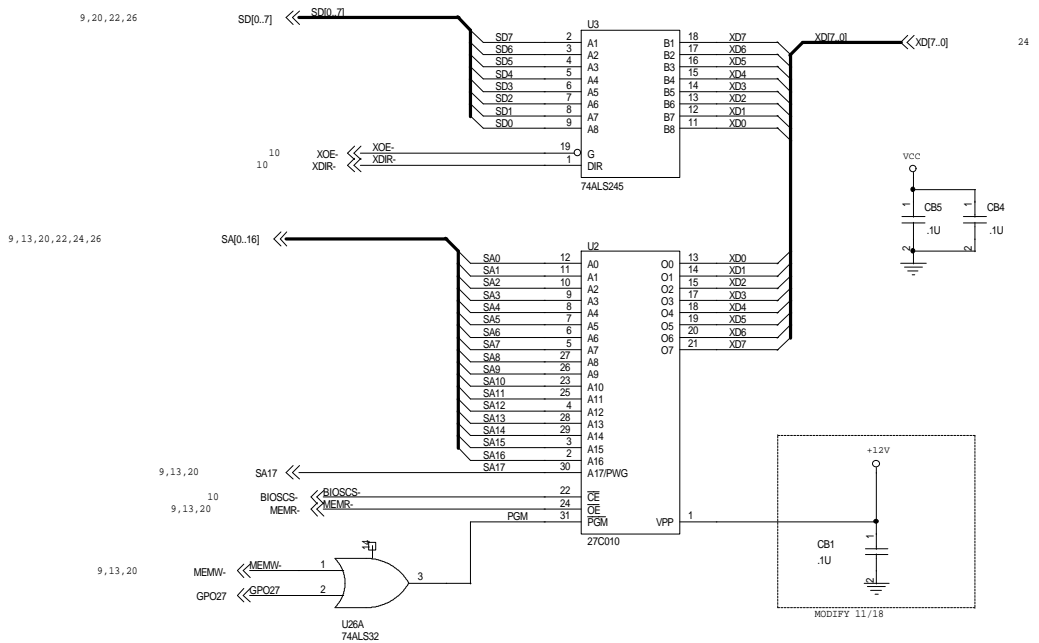
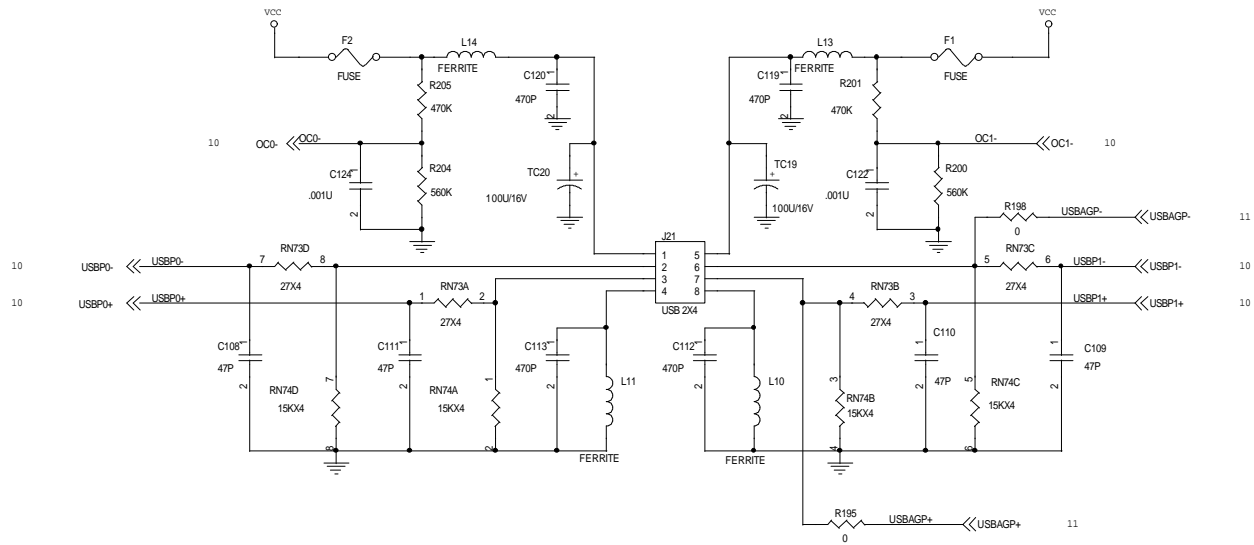


NOTE:
VOLTAGE REGULATOR SHOULD
BE LOCATED NEAR THE PAC



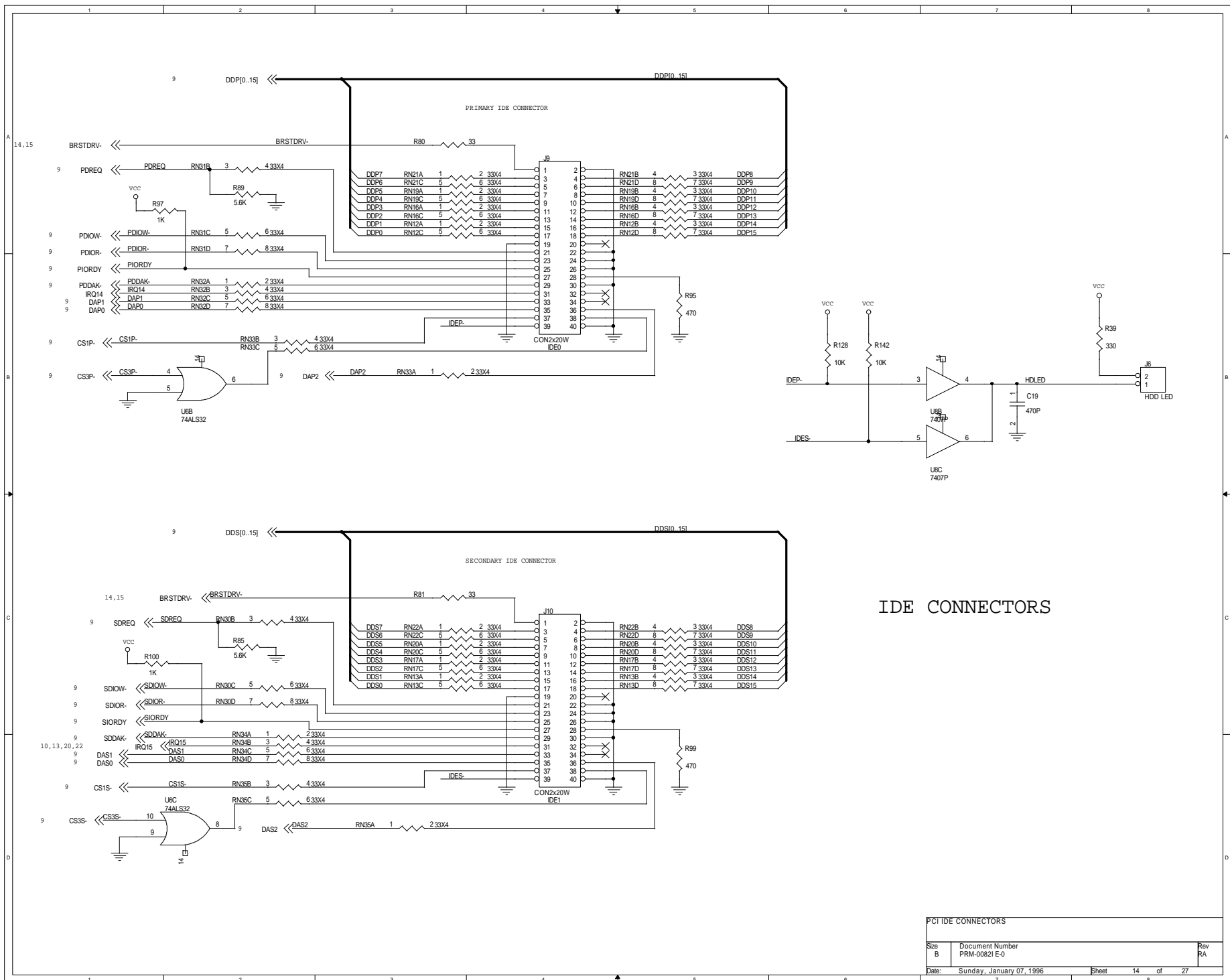
DC to DC CONVERTER CIRCUITS

Size B	Document Number PRM-00821 E-0	Rev RA
Date: Sunday, January 07, 1996	Sheet 16	of 27



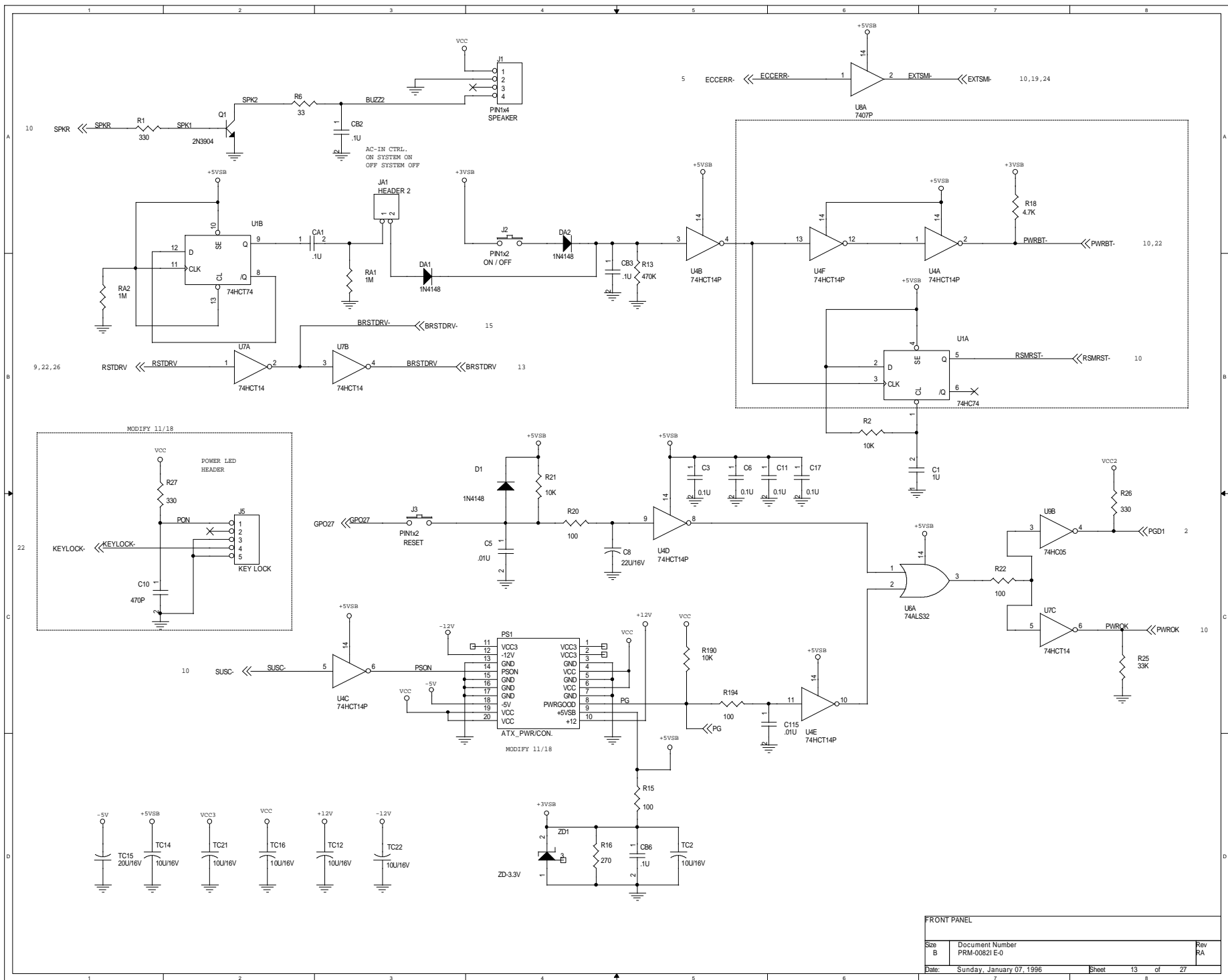
USB FOR PIIX4 / FLASH BIOS

Size B	Document Number PRM-00821 E-0	Rev RA
Date:	Sunday, January 07, 1996	Sheet 15 of 27

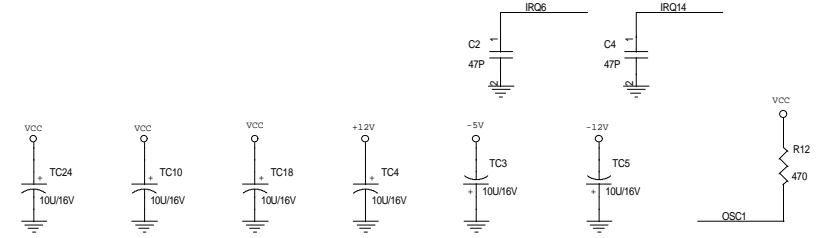
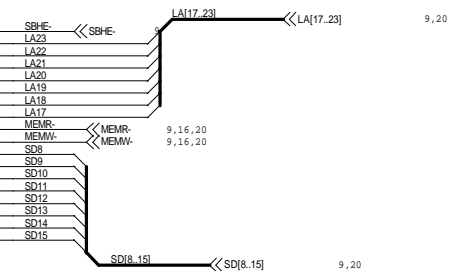
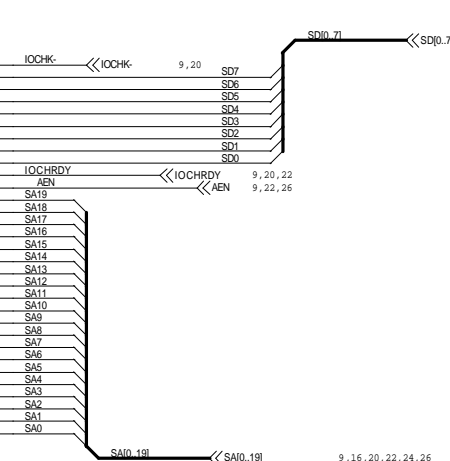
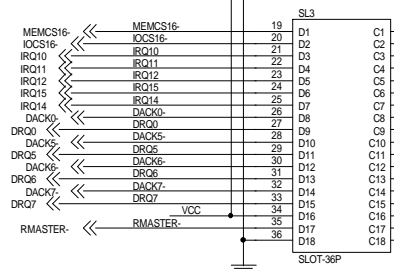
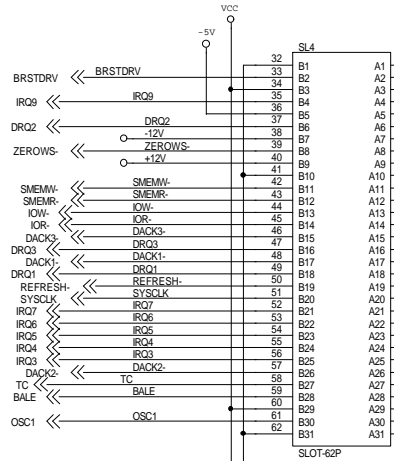
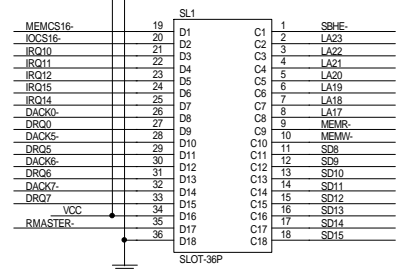
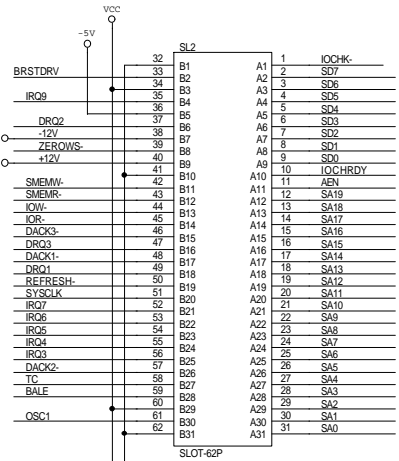


IDE CONNECTORS

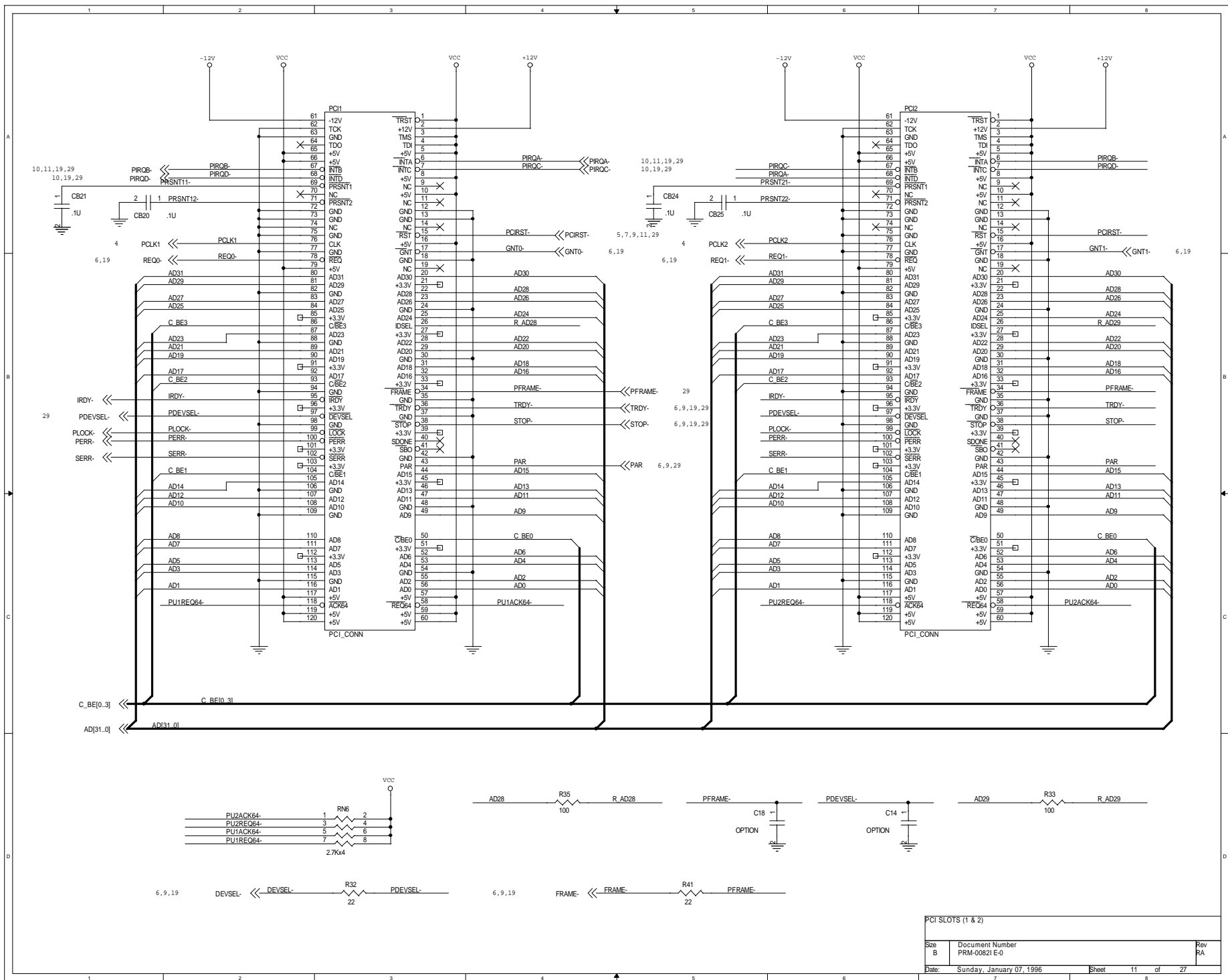
PCI IDE CONNECTORS		
Size B	Document Number PRM-00821 E-0	Rev RA
Date: Sunday, January 07, 1996	Sheet 14	of 27

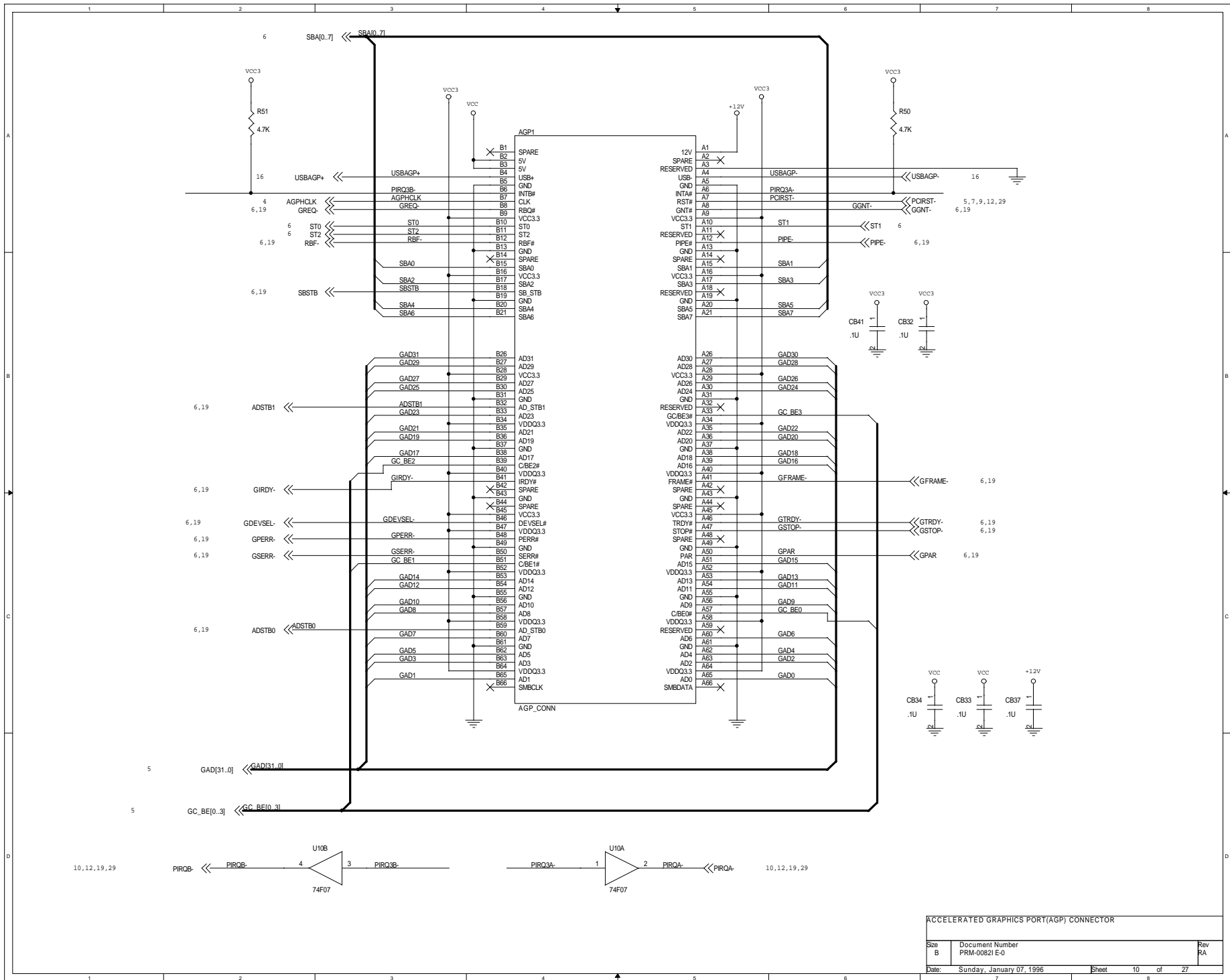


FRONT PANEL		
Size B	Document Number PRM-00821 E-0	Rev RA
Date: Sunday, January 07, 1996	Sheet 13 of 27	



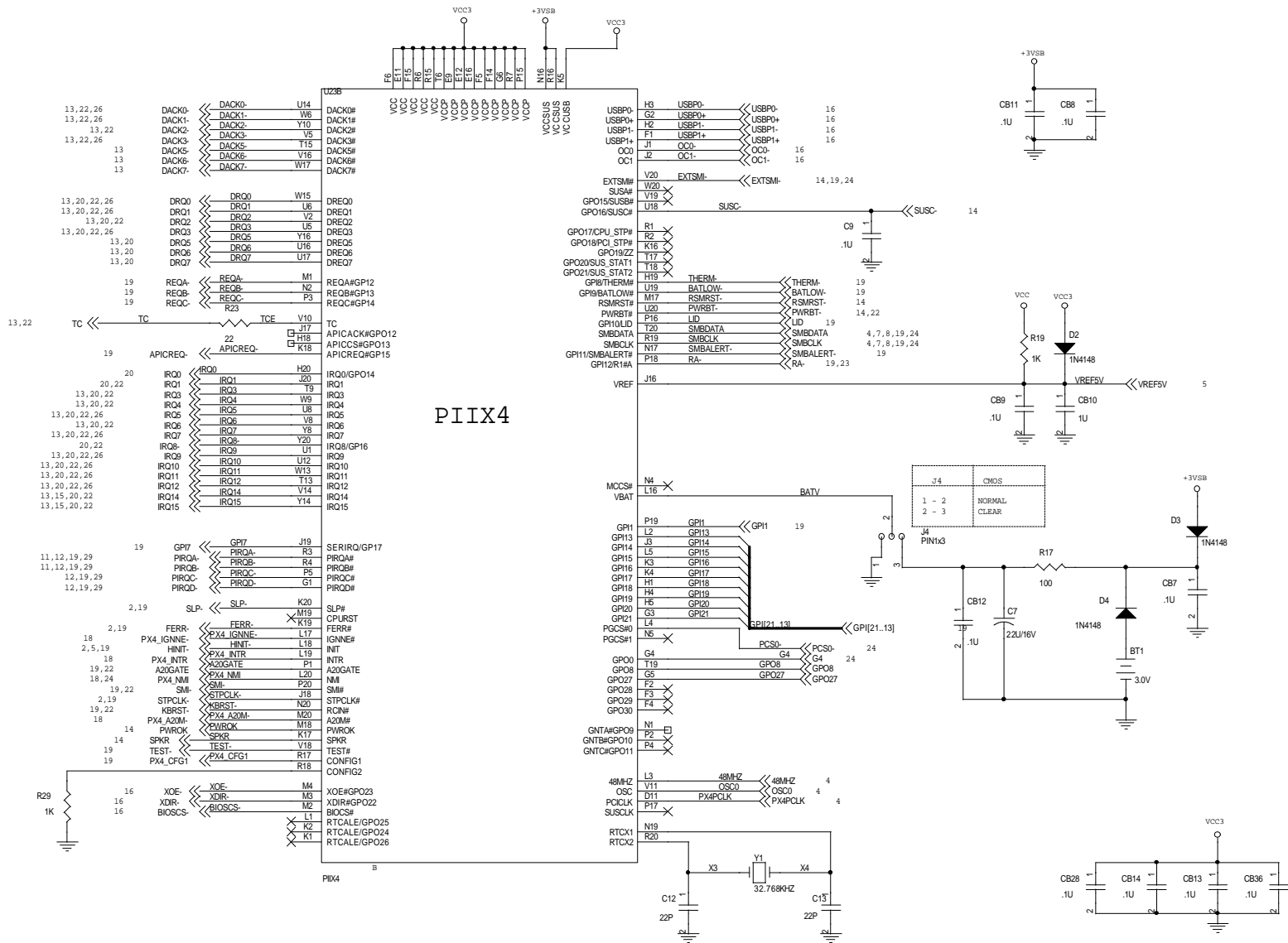
AT-BUS SLOTS		
Size B	Document Number PRM-00821 E-0	Rev RA
Date: Sunday, January 07, 1996	Sheet 12 of 27	





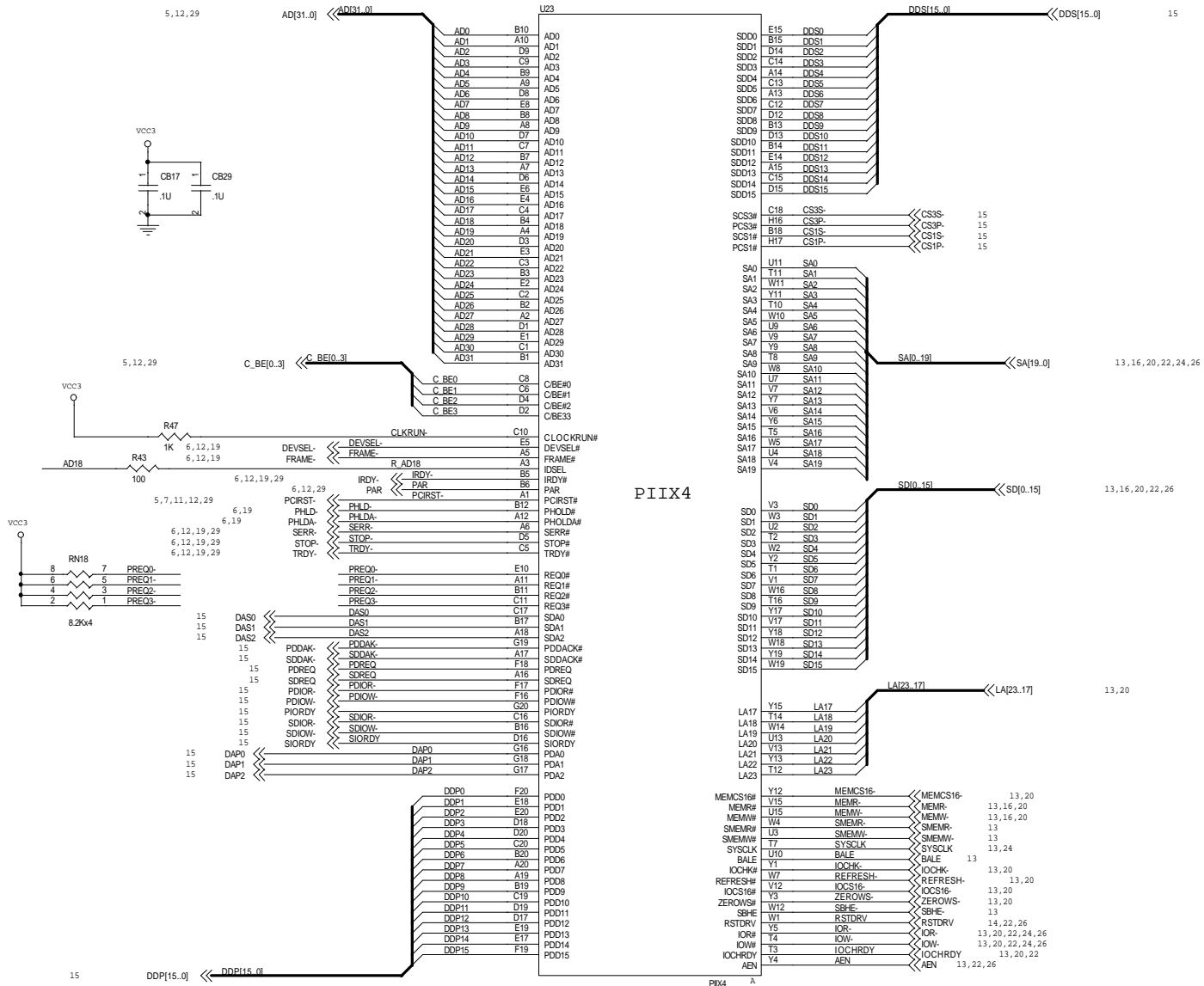
ACCELERATED GRAPHICS PORT(AGP) CONNECTOR

Size B	Document Number PRM-00821 E-0	Rev RA
Date: Sunday, January 07, 1996	Sheet 10 of 27	



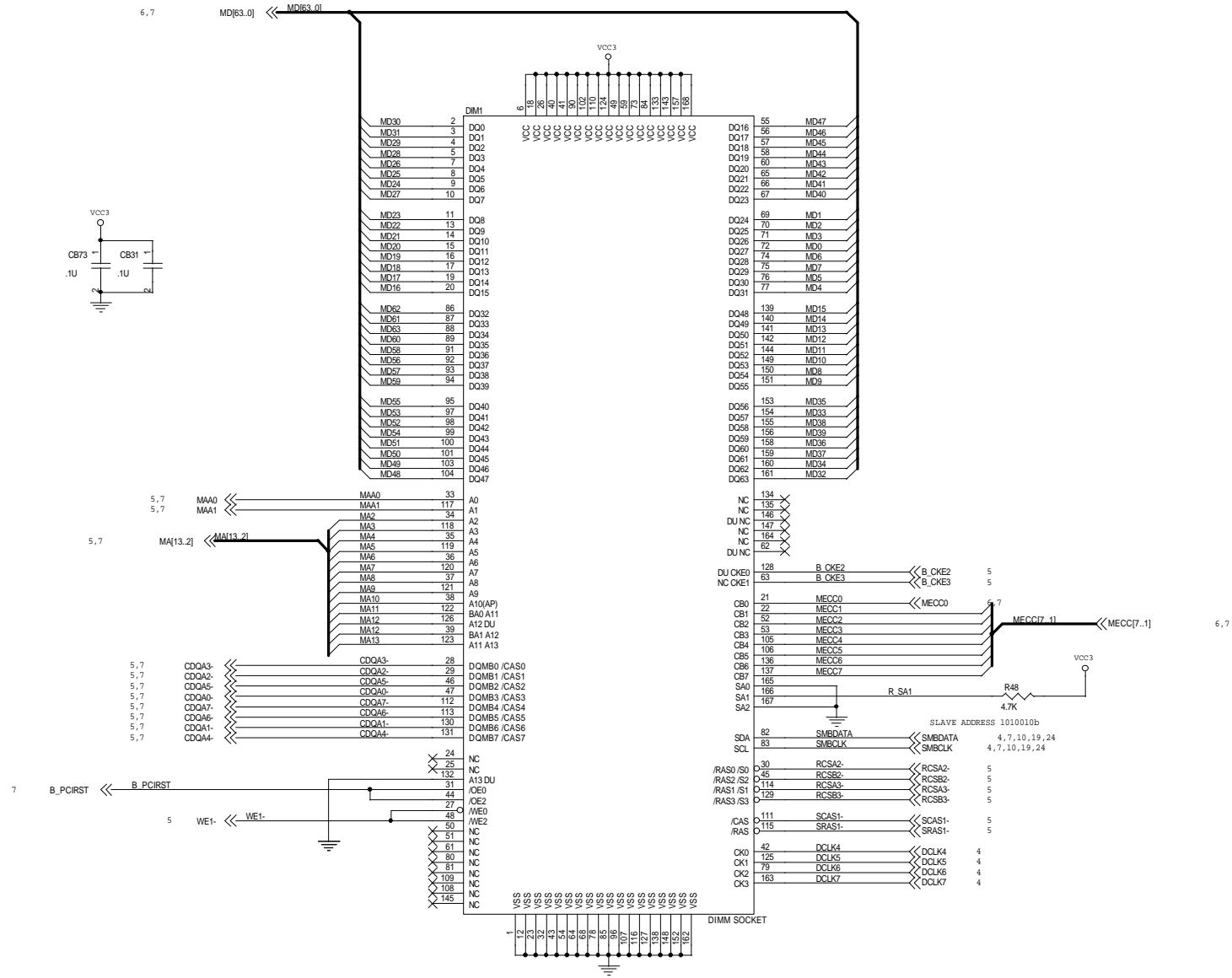
PIIx4

PIIx4 B		
Size B	Document Number PRM-00821 E-0	Rev RA
Date: Sunday, January 07, 1996	Sheet 9 of 27	

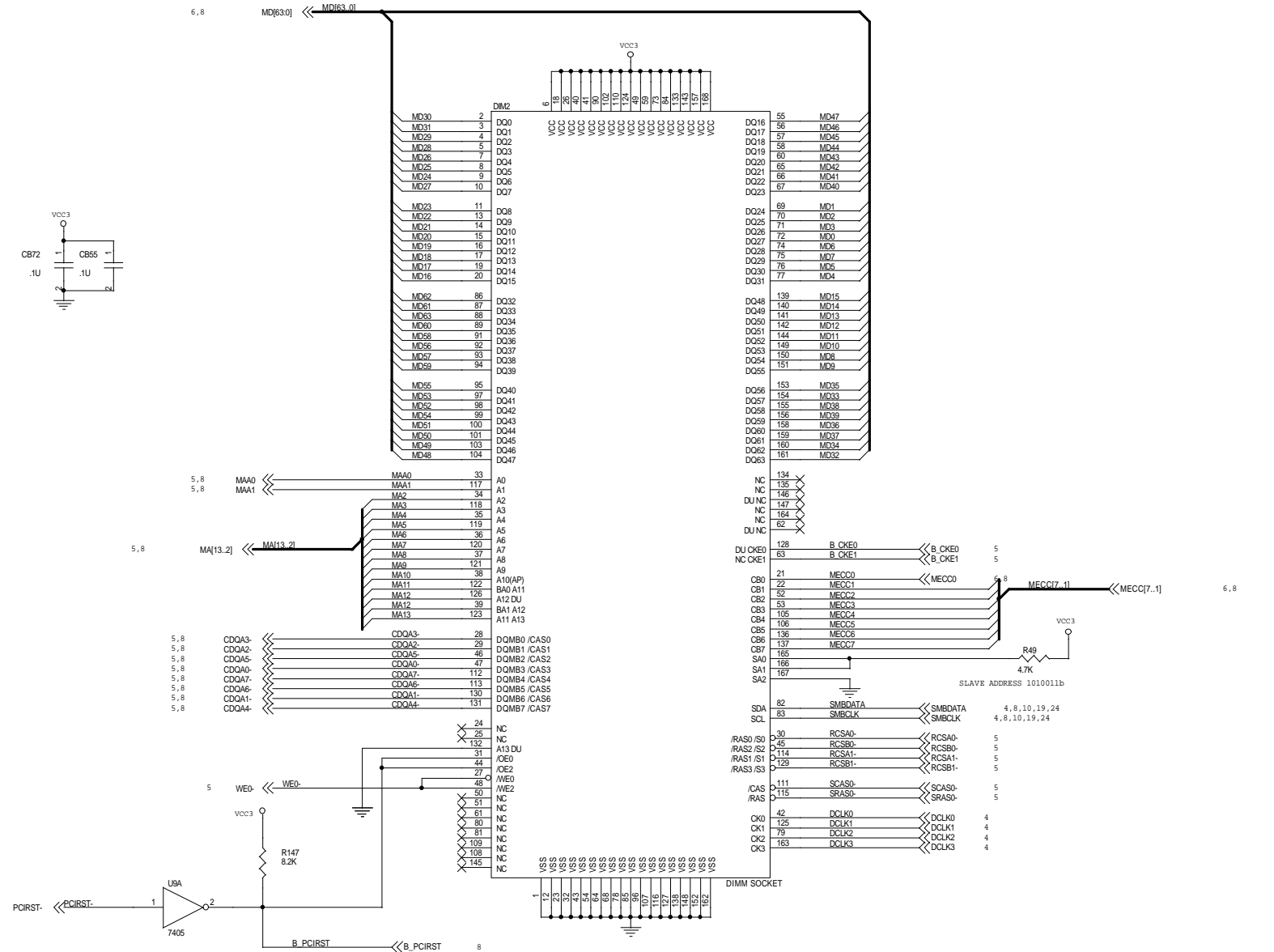


PIX4 A		
Size	Document Number	Rev
B	PRM-00821 E-0	RA
Date:	Sunday, January 07, 1996	Sheet 8 of 27

DIMM CONNECTOR 1



DIMM CONNECTOR 0

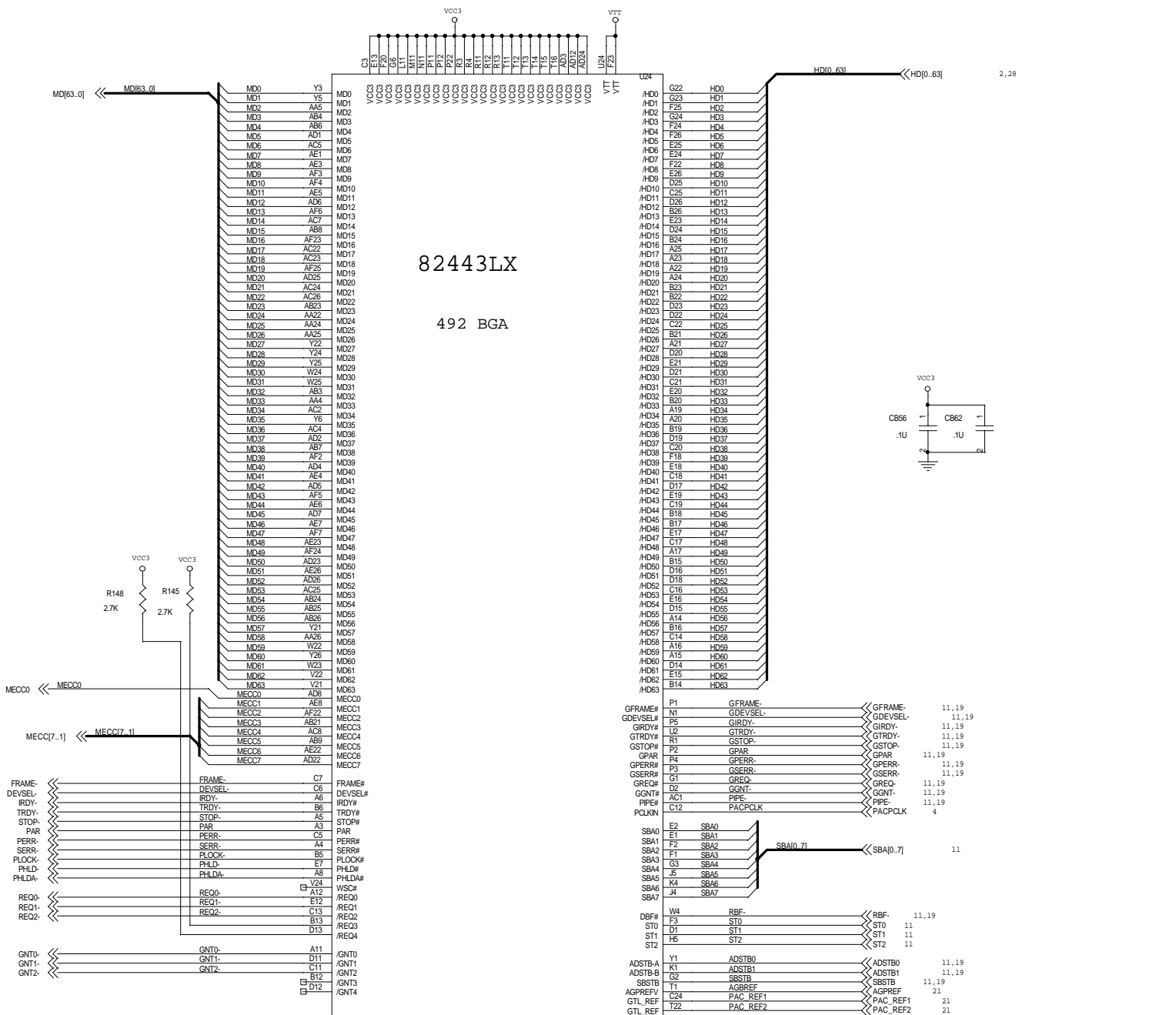


82443LX

492 BGA

7,8

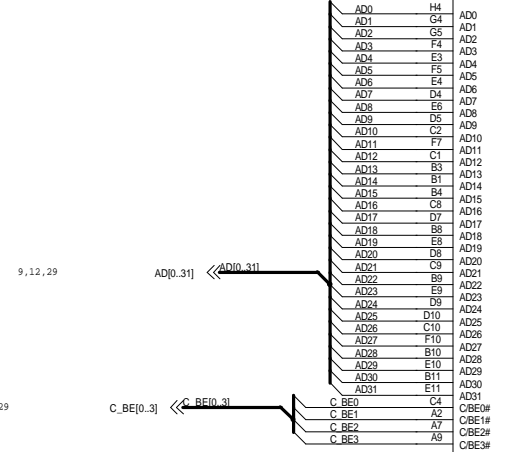
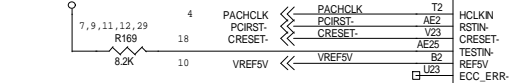
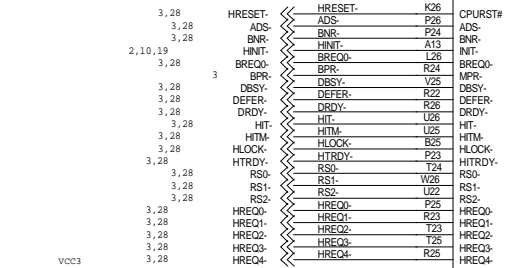
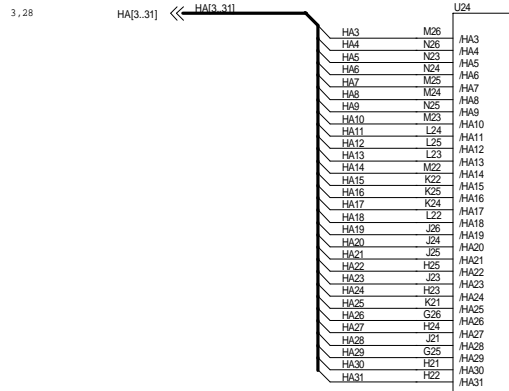
2,28



82443LX

82443LX_B

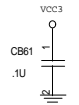
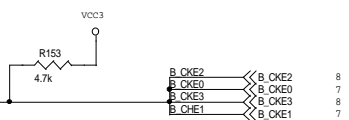
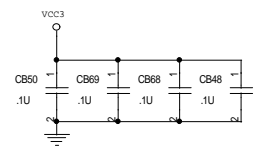
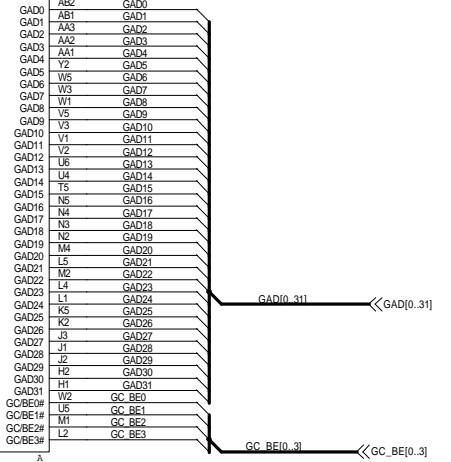
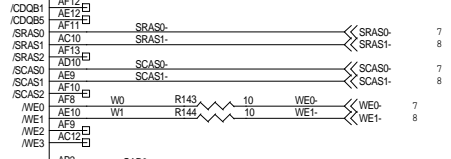
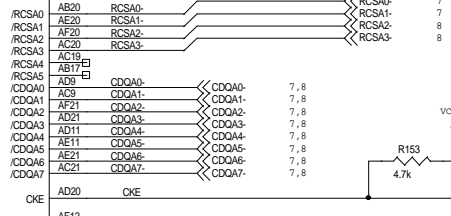
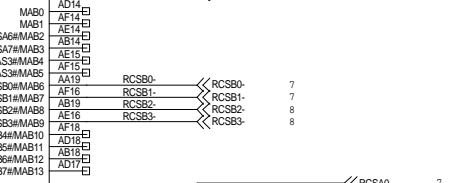
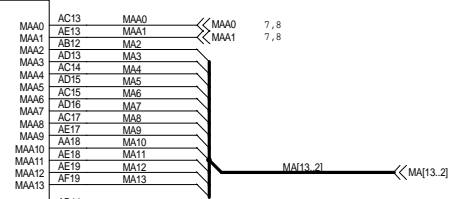
Size	Document Number	Rev
B	PRM-00821 E-0	RA
Date:	Sunday, January 07, 1996	Sheet 5 of 27



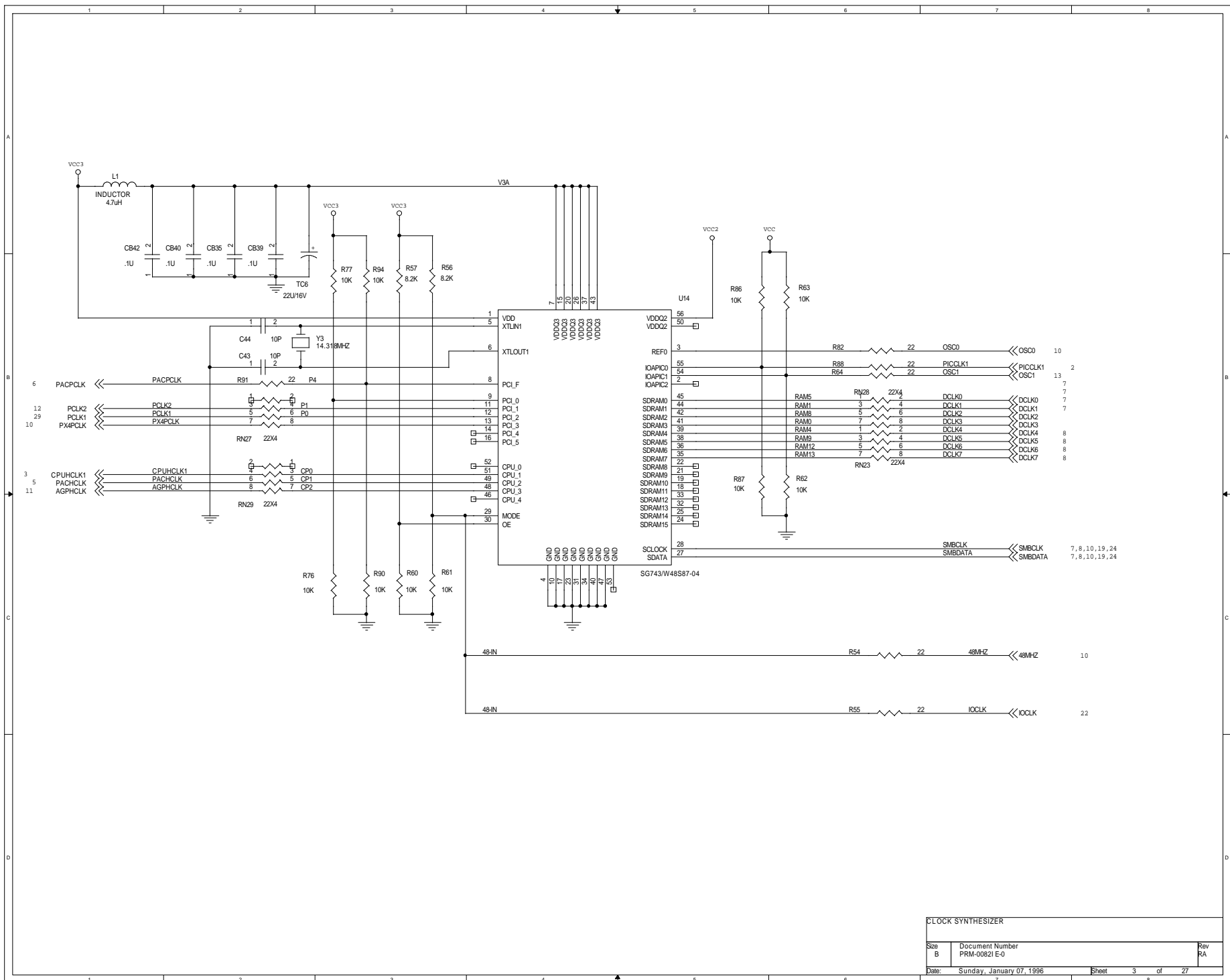
82443EX

492 BGA

82443LX



82443LX_A		
Size	Document Number	Rev
B	PRM-00821 E-0	RA
Date:	Sunday, January 07, 1996	Sheet 4 of 27



CLOCK SYNTHESIZER		
Size B	Document Number PRM-00821 E-0	Rev RA
Date: Sunday, January 07, 1996	Sheet 3 of 27	

