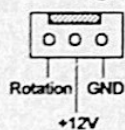
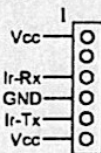


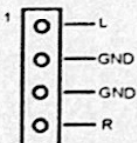
FAN1/FAN2/FAN3: CPU/System cooling fan connector



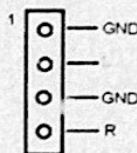
CN9: Infrared connector



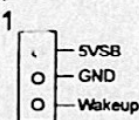
CN6: CD-ROM audio in for sony(optional)



CN7: CD-ROM audio in (optional)



CN10: WOL (Wake-on LAN) Conn.



CN15: FANII connector (optional)

CN17: Volume down connector(optional)

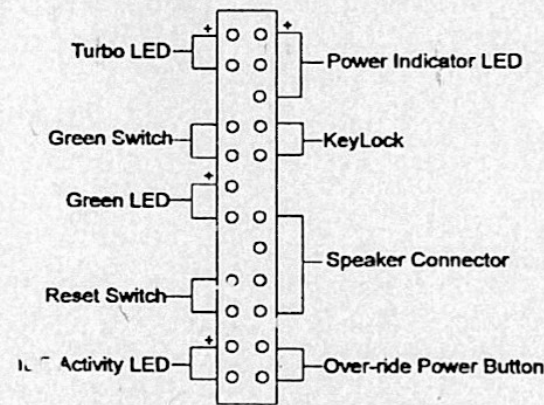
CN18: Volume up connector(optional)

CN22: Modem Telephony connector(optical)

SeePU (Jumper free CPU installation) setting table

CPU Type	CPU Speed			
	External Clock	Frequency Ratio	Internal Clock	
Pentium II Pentium III Celeron processors	66	3.5	233	
		4	266	
		4.5	300	
		5	333	
		5.5	366	
		6	400	
		6.5	433	
	100	3.5	350	
		4	400	
		4.5	450	
		5	500	
		5.5	550	

CN13: Front panel connector set



JP1: Power-on by keyboard jumper
1~2 short: Disable (default), 2~3 short: Enable

JP3: Create SB-link connector link AWE64D with PCI Bus Mastering

JP4: Clear CMOS data jumper
1~2 short : Normal (default)
2~3 short : Clear CMOS data

JP9: External clock frequency jumper
2~3 short: Host bus-100Mhz
1~2 short: Host bus-depend on CPU (default)