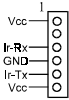
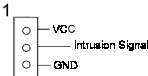


Quick Connector and Jumper Reference

CN4: Infrared connector



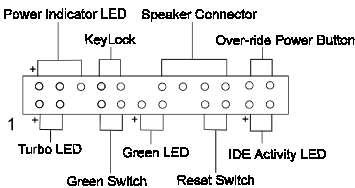
CN5: Chassis intrusion monitoring connector



CN7: WOL (Wake-on-LAN) Conn.



CN8: Front panel connector set



CN9: Creative's SB-Link connector (links AWE64D with PCI Bus Mastering)

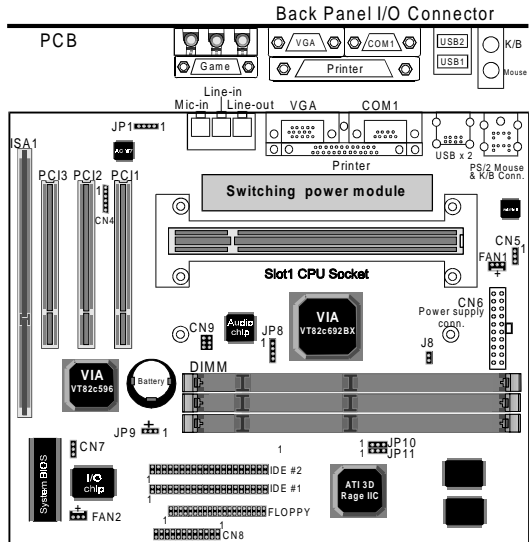
FAN1/FAN2: CPU/System cooling fan connector



JP1: CD-ROM audio in

JP8: F5 connector

JP9: Clear CMOS data jumper
 1~2 : Normal (default)
 2~3 : Clear CMOS data



SeePU (Jumper free CPU installation) setting table

CPU Type	CPU Speed		
	External Clock	Frequency Ratio	Internal Clock
Pentium II processor	66	3.5	233
		4	266
		4.5	300
	100	5	333
		3.5	350
		4	400
		4.5	450

J8: External clock frequency jumper
 Short : CPU (default)
 Open : 100 MHz

JP10/JP11: On board VGA jumper
 1~2 : Disabled
 2~3 : Enabled (default)

EXplus-mATX-VGA2-0.1



Memo