

HOT-661V
Pentium™ II processor
Based AGP MAIN BOARD
User's Manual

FCC Notice:

This equipment has been tested and found to comply with the limits for a Class B digital device, pursuant to Part 15 of FCC Rules. These limits are designed to provide reasonable protection against harmful interference in a residential installation. This equipment generates, uses and can radiate radio frequency energy. If not installed and used properly, in strict accordance with the manufacturer's instructions, may cause harmful interference to radio communications. However, there is no guarantee that interference will not occur in a particular installation. If this equipment does cause interference to radio or television reception, which can be determined by turning the equipment off and on, the user is encouraged to try to correct the interference by one or more of the following measures :

Reorient or relocate the receiving antenna.

Increase the separation between the equipment and receiver.

Connect the equipment into an outlet on a circuit different from that to which the receiver is connected.

Consult the dealer or an experienced radio/television technician for help and for additional suggestions.

The user may find the following booklet prepared by the Federal Communications Commission helpful "How to Identify and Resolve Radio-TV Interference Problems." This booklet is available from the U.S. Government Printing Office, Washington, DC 20402, Stock 004-000-00345-4

FCC Warning

The user is cautioned that changes or modifications not expressly approved by the manufacturer could void the user's authority to operate this equipment.

Note : In order for an installation of this product to maintain compliance with the limits for a Class B device, shielded cables and power cord must be used.

CE Notice:

Following standards were applied to this product, in order to achieve compliance with the electromagnetic compatibility :

- Immunity in accordance with EN 50082-1: 1992
- Emissions in accordance with EN 55022: 1987 Class B.

NOTICE

Copyright 1998.

All Right Reserved

Manual Ver 2.0

All information, documentation, and specifications contained in this manual are subject to change without prior notification by the manufacturer.

The author assumes no responsibility for any errors or omissions which may appear in this document nor does it make a commitment to update the information contained herein.

TRADEMARKS

Intel is a registered trademark of Intel Corporation

Pentium™ II Processor is a registered trademark of Intel Corporation

PC/AT is a registered trademark of International Business Machine Corporation.

PS/2 is a registered trademark of IBM Corporation.

All other brand and product names referred to in this manual are trademarks or registered trademarks of their respective holders.

T

TABLE OF CONTENTS

PREFACE	3
CHAPTER 1 INTRODUCTION	4
Specification	4
Accessories of HOT-661/P	6
CHAPTER 2 HARDWARE CONFIGURATION	7
The Pentium II Processor	7
What does the URM (Universal Retention Mechanism) consist of.....	8
Install the Universal Retention Mechanism and Heat Sink Support.....	8
Install Pentium II Processor	10
Celeron Processor S.E.P.P. only Retention Mechanism Assembly Procedures.....	11
Install Celeron Processor	12
Install S.E.C.C.2 Processor	13
Jumpers	14
CPU Clock Speed Selection.....	14
Clear CMOS - JP19	17
Flash EEPROM Vpp - J17	17
Keyboard PS/2 Mouse Power-On Setting - J44, JP38.....	17
Connectors.....	18
CHAPTER 3 MEMORY CONFIGURATION	21
CHAPTER 4 FLASH UTILITY	22
CHAPTER 5 AWARD BIOS SETUP	24
The Main Menu	25
Standard CMOS Setup.....	27
BIOS Features Setup.....	29
Chipset Features Setup.....	32
Power Management Setup.....	35
PCI Configuration Setup.....	39
Integrated Peripherals	41
Password Setting.....	44

P

PREFACE

HOT-661V mainboard is a highly integrated IBM PC/ATX compatible system board. The design will accept Intel Pentium II processors which features high-performance pipelined burst secondary cache memory support with size of 512KB or 256KB. The memory subsystem is designed to support up to 1024MB SDRAM in standard 168-pin DIMM socket.

HOT-661V provides a new level of I/O integration. VIA693 chipset provides increased integration and improved performance over other chipset designs.

HOT-661V main board provides an AGP slot to support a new generation of graphics cards with ultra-high memory bandwidth.

The VIA693 chipset provides an integrated Bus Mastering IDE controller with two high performance IDE interfaces for up to four IDE devices.

The onboard Giga I/O controller provides the standard PC I/O functions: floppy interface, two FIFO serial ports, an IrDA device port and a SPP/EPP/ECP capable parallel port.

Up to four PCI local bus slots provide a high bandwidth data path for data-movement intensive functions such as graphics, and up to three ISA slots complete the I/O function.

The HOT-661V provides the foundation for cost effective, high performance, highly expandable platforms, which deliver the latest in Pentium processor and I/O standard.

1

SPECIFICATION

The H0T-661V mainboard is carefully designed for the demanding PC user who wants high performance and many intelligent features in a compact package:

Intel Chipset:

Features VIA VT82C693 with I/O subsystems.

CPU Support:

Celeron™ processors 266/66 ~ 333/66 MHz

Pentium™ processors 233/66 ~ 333/66 MHz and 350/100 ~ 500/100 MHz

Versatile Memory Supports:

Supports four banks of normal or PC/100 SDRAM maximum memory size up to 1024MB
Configurable support for EC (Error Checking) and ECC (Error Checking and Correcting)

PCI and ISA Expansion Slots:

Provides four 32-bit PCI slots and three 16-bit ISA slots.

AGP Slot:

Supports Accelerated Graphics Port cards for high performance, component level interconnect targeted at 3D graphical display applications.

Onboard GiGA-I/O:

Provides one Floppy port; One PS/2 mouse port and one PS/2 Keyboard port; Two 16C550 compatible UARTS serial ports support Infra-red communication and One parallel port supports SPP, EPP and ECP. Serial Port 2 can also be directed from COM2 to the Infrared Module for wireless connections.

Onboard PCI Bus Master IDE Controller:

Two **Ultra DMA/33 Bus Master IDE** Ports supports four IDE devices up to 33 MB/sec IDE transfers and supports Enhanced PIO Modes 3 and 4 and Bus Master IDE DMA Mode 2 devices.

Onboard 20-pin ATX Power Supply:

Provides ATX power connector onboard supports soft-on/off function.

System BIOS:

Provides licensed Award V4.51PG BIOS on Flash EEPROM.

Supports Green PC, DMI and Bundled with NCR SCSI BIOS.

ACPI:

Support **ACPI (Advanced Configuration and Power Interface)** function. ACPI provide more Energy Saving Features for the future operating system supporting OS Direct Power Management (OSPM) functionality.

Board Size:

ATX form factor, dimension 305mm x 170mm

Advanced Features:

Low EMI -- Spread Spectrum built in - $\pm 1.5\%$ modulation and automatic clock shut-off of unused PCI/SDRAMS slots to reduce the EMI.

Dual Function Power Button -- The system can be one of two states, one is Suspend mode and the other is the Soft-off mode. Pushing the power button for less than 4 seconds will place the system into Suspend mode. When push the power button for more than 4 seconds, the system enters the Soft-off mode.

Modem Ring Power-on -- The system will power-on automatically by activating of modem ring.

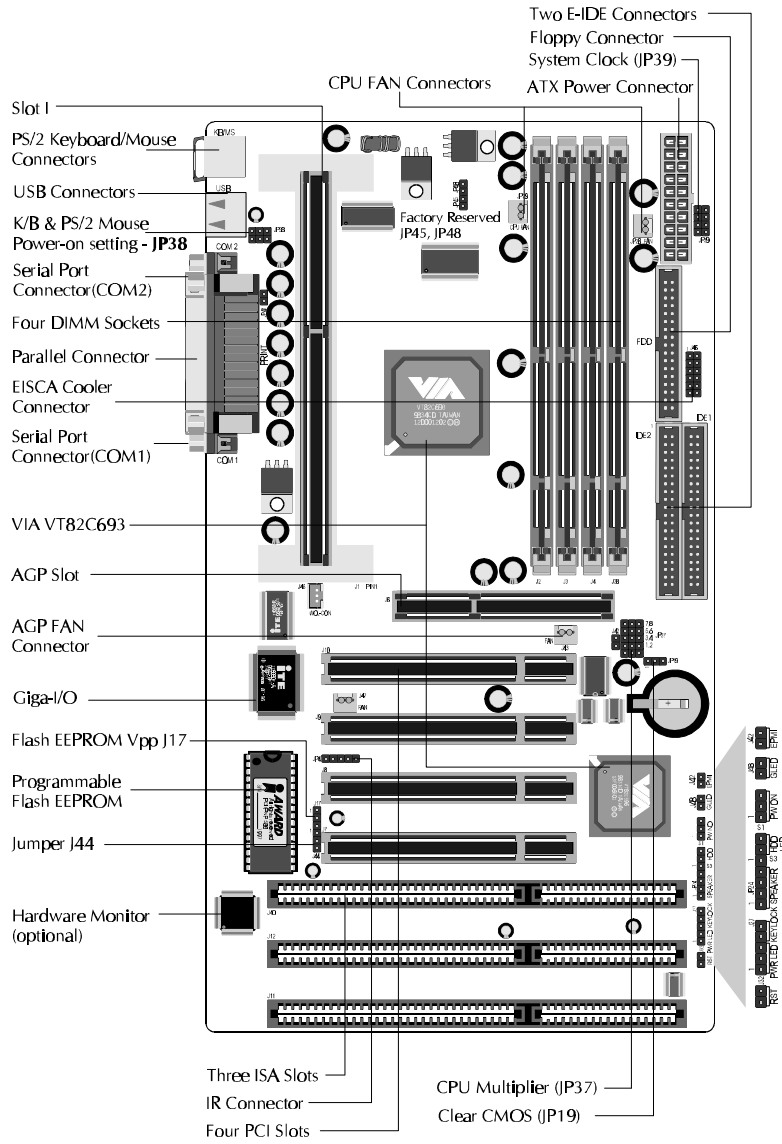
More Advanced Features (optional):

Voltages Monitoring -- System voltages levels are monitored to ensure stable current to main board components.

System voltages include V_{CORE} and V_{L2} for CPU, and +5V, +12V, -5V, -12V for system.

FAN Status Monitoring -- To prevent CPU overheat, CPU fan is monitored for RPM and failure. (CPU Cooling FAN with RPM sensor is required)

ACCESSORIES OF HOT-661V



2

HARDWARE CONFIGURATION

The Pentium™ II Processor

The Pentium™ II and Celeron™ processor is the next member of the P6 processor family. It combines the architectural advances in the Pentium Pro processor with the instruction set extensions of MMX technology. It is fully compatible with the huge base of Intel architecture-based PC software. Additionally, the Pentium™ II processor delivers new levels of performance for advanced media and communications software including powerful, realistic graphics and imaging capabilities, video conference, and the ability to run full-screen, full-motion video. The combination of these advanced technologies makes the Pentium™ II processor the ideal choice for executing modern 32-bit compute-intensive and multimedia-enhanced application work loads using advanced 32-bit operating systems.

The Pentium™ II and Celeron processor both have a separate, 32KB, on-chip, non-blocking L1 cache which runs at the processor frequency, Pentium™ II processor also has a 512KB or 256KB on-board L2 non-blocking cache runs at half the processor speed.

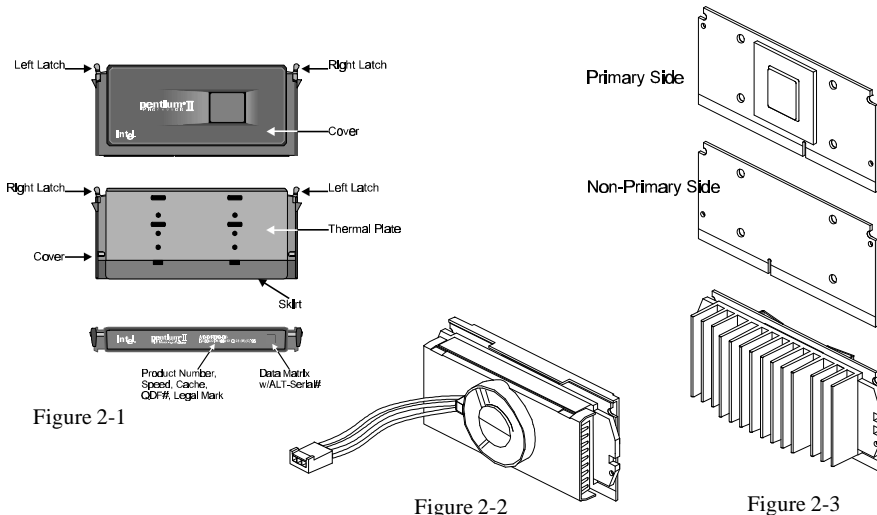
The Pentium™ II processor uses Single Edge Contact Cartridge (S.E.C.C.) and S.E.C.C.2 packaging technology which enables high volume availability, improved handling protection.

The Celeron™ processor uses Single Edge Processor Package. (S.E.P.P.)

Figure 2-1 shows the front, rear and top views of Pentium™ II processor (without heat sink mounted).

Figure 2-2 shows the S.E.C.C.2 package of Pentium™ II processor.

Figure 2-3 shows the primary and non-primary side of Celeron™ processor without heat sink mounted and with heat sink mounted.



What does the URM (Universal Retention Mechanism) consist of

Pentium II processor requires the Retention Mechanism (RM) and optional Heat Sink Support (HSS) to hold the base processor in the S.E.C. cartridge.(or SECC 2)

Following installation procedure will display how to install these mechanism.

Retention Mechanism package consists of 2 separate parts and optional Heat Sink Support consists of 3 separate parts.

Normally, depend on the type of heat sink, Heat Sink Support is not always available. For some heat sink attached on pentium II processor might not fit to install the Heat Sink Support. The introduction of Heat Sink Support installation on this manual only for your reference.

- ❑ Universal Retention Mechanism (URM) - Plastic Guide with captive nuts that hold the S.E.C. Cartridge in the Slot1 connector. (Refer to Figure 2-4)

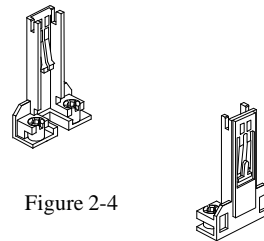


Figure 2-4

- ❑ URM Attach Mount (URMAM) - Bolt/Bridge assemblies inserted up through the bottom of the mainboard. Then secures the URM to URMAM (two URMAM required per URM). (Refer to Figure 2-5)

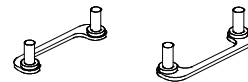


Figure 2-5

Install the Universal Retention Mechanism and Heat Sink Support

Place the mainboard on a workbench (not in a chassis). Be sure that the mainboard is bare (that is, no DIMMs, cables, or cards are installed).

Install the Retention Mechanism :

1. Finds out the Universal Retention Mechanism (URM) Mounting Holes of Slot1 on HOT-661 V main board. (Refer to Figure 2-6)
2. Install two Universal Retention Mechanism Attach Mounts (URMAM) with Bolt/Bridge assemblies inserted up through the bottom of the mainboard. (Notice the URMAM's bridge orientation as Figure 2-7)

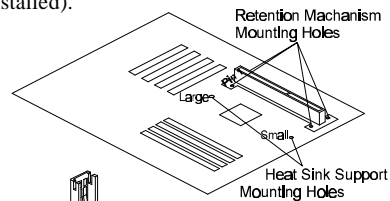


Figure 2-6

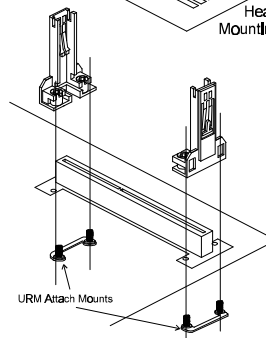


Figure 2-7

Install the Heat Sink Support: (optional)

If your Heat Sink comes with the Heat Sink support then install it according to the instruction comes with your Heat Sink.

Figure 2-8 and Figure 2-9 shows some Heat Sink examples.

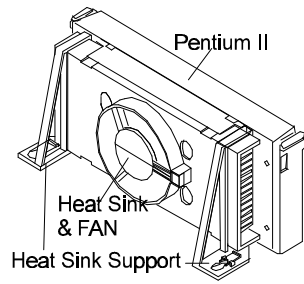


Figure 2-8

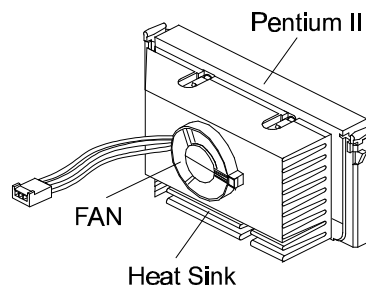


Figure 2-9

Install Pentium II Processor

Push the latches on the processor toward the center of the processor until they click into place.

Hold the processor so that the fan shroud is facing toward the Heat Sink Support Base bar on the mainboard. Slide the processor into the Universal Retention Mechanism. Ensure that the alignment notch in the processor fits over the plug in Slot 1. Push the processor down firmly, with even pressure on both sides of the top, until it is seated.

Push the latches on the processor outward until they click into place in the Universal Retention Mechanism. The latches must be secured for proper electrical connection of the processor.

Attach the end of the power cable to the three-pin connector on the mainboard or to the CPU fan connector on the HOT-661V.

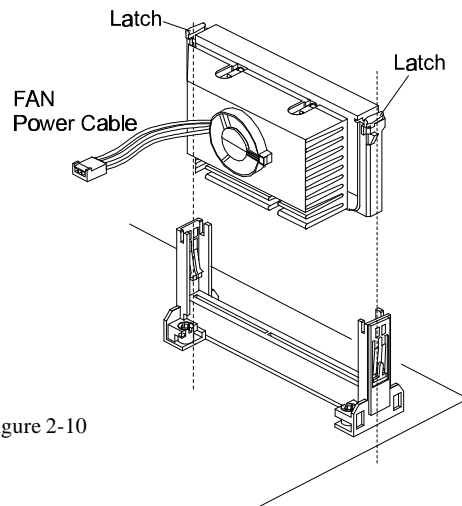


Figure 2-10

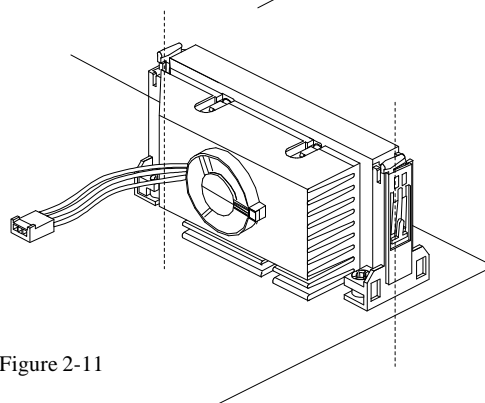


Figure 2-11

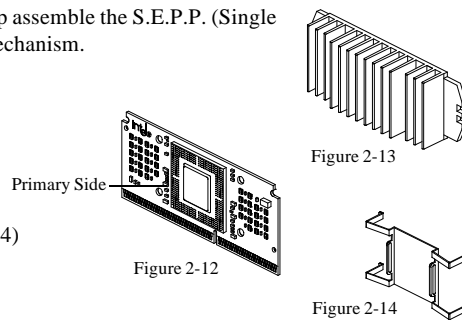
Celeron™ Processor S.E.P.P. Only Retention Mechanism Assembly Procedures

These procedures have been included to help assemble the S.E.P.P. (Single Edge Processor Package) only Retention Mechanism.

Please follow them exactly:

Required Components

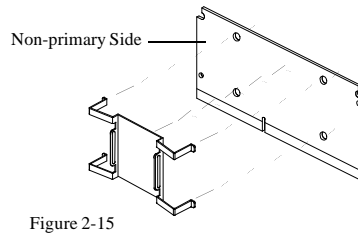
- SEPP (Figure 2-12)
- Heatsink (Figure 2-13)
- Heatsink Retention Clip (Figure 2-14)



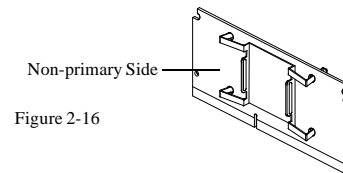
Procedures

Assemble all parts on a static free bench using proper operator grounding and an ESD mat. Carefully insert all four heatsink clip legs into SEPP. (Figure 2-15)

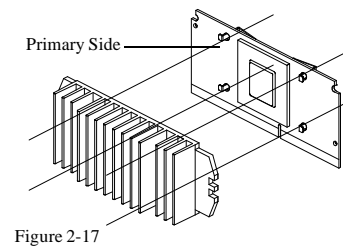
Clip base must be located on the non-primary side. (Figure 2-16) FYI - The side of the clip plate which touches the substrate is covered with a mylar insulator. This insulator prevents the clip from shorting lines on the substrate.



Before you fully engage two legs of the clip into the heatsink (Figure 2-17), make sure you remove the blue film covering the thermal interface. The blue film protects the thermal interface from damage during shipping.



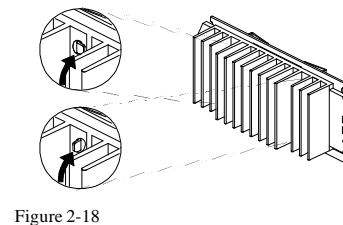
Grasp the heatsink clip assembly between the clip base and the heatsink. Do not bend or apply pressure directly to SEPP.



Using a nonmetallic stock or screw driver, push the remaining two clip legs into the heatsink.

Caution: Take care not to contact passively or scratch SEPP when using screw driver or bar stock.

Verify that all the feet on the clip are fully engaged and seated on the heatsink. (Figure 2-18)



Install Celeron™ Processor

Hold the processor unit so that the Heat sink faces toward the DIMM sockets on the mainboard. Insert the processor into the Universal Retention Mechanism. Press the processor down firmly with even pressure on both sides of the top until it is seated. (Refer to Figure 2-19 and Figure 2-20)

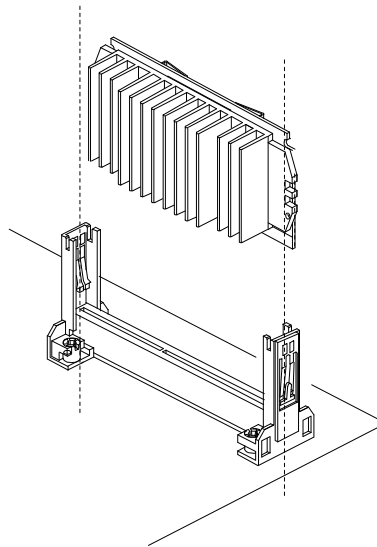


Figure 2-19

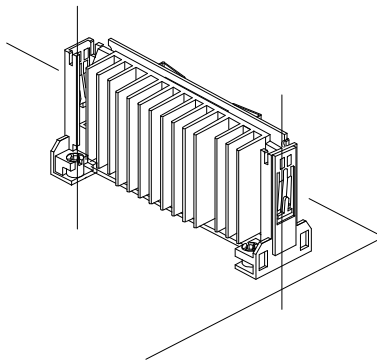


Figure 2-20

Install S.E.C.2™ Processor

Hold the processor unit so that the Heat sink faces toward the DIMM sockets on the mainboard. Insert the processor into the Universal Retention Mechanism. Press the processor down firmly with even pressure on both sides of the top until it is seated. (Refer to Figure 2-21 and Figure 2-22)

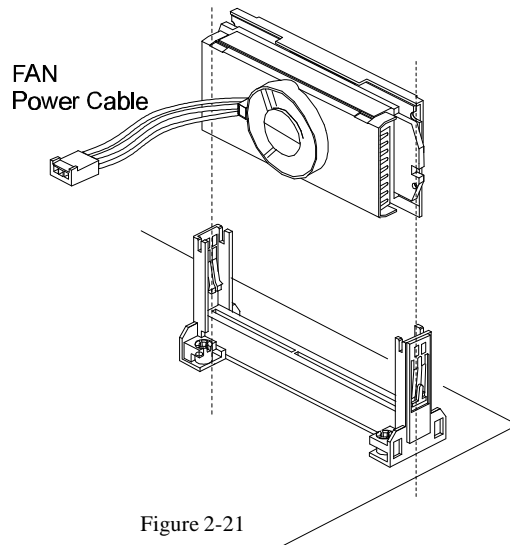


Figure 2-21

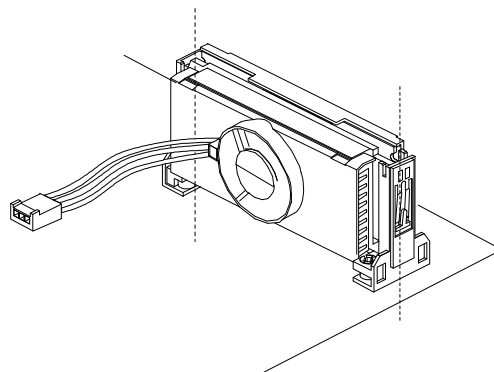


Figure 2-22

Jumpers

Several hardware settings are made through the use of jumper caps to connect jumper pins on the main board. The jumper's pin 1 on main board will be on the top or on the left when holding the main board with the keyboard connector away from yourself.

Jumpers with two pins will be shown as  for Close (On) and  for Open (Off). To connect the pins, simply place a plastic jumper cap over the two pins.

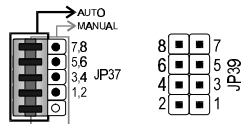
CPU Clock Speed Selection - JP39 and JP37

HOT-661V featuring CPU Speed Soft-Configure function. The user can adjust CPU Host Clock and CPU Clock Ratio from BIOS. **When the system power-on first time, BIOS will set CPU clock speed to 233 MHz or 350 MHz automatically depend on the CPU type.** If your CPU speed higher than 233 MHz or 350 MHz., you only have to entry BIOS to set CPU speed to the higher one.

For the practiced user, HOT-661V also provides Hard-Configure function to adjust your CPU Speed. You can adjust your CPU Host Clock on JP39 and adjust your CPU Clock Ratio on JP37 manually. Please refer to next section on next two pages.

Soft-Configure CPU Clock from BIOS

- 1) Inserting jumper pack on AUTO group of JP37.
- 2) Leave jumper JP39 open.



Hard-Configure CPU Host Clock and CPU Clock Ratio.

- 1) Removing jumper pack from JP37.
- 2) Inserting mini jumpers properly on JP37 for desired CPU Clock Ratio.
- 3) Inserting mini jumper/s properly on JP39 for desired CPU Host Clock.

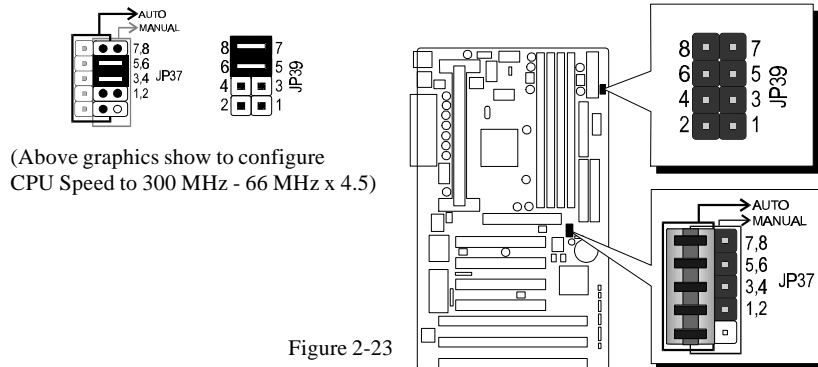


Figure 2-23

CPU Clock Configuration Table (Table 2-1) shows the Pentium II/Celeron 233 MHz ~333 MHz and Pentium II 350 MHz ~ 450 MHz quick setting on the mainboard.

Table 2-2 shows adjustable System clock on jumper JP39.

Note: JP39 will be not available when jumper group JP37 is set to AUTO.

Table 2-3 shows adjustable CPU Clock Ratios on jumper group JP37.

CPU Configuration Table

Pentium II /Celeron Processor	System Clock	Multiplier	Pentium II Processor	System Clock	Multiplier
233 MHz	66 MHz	3.5	350 MHz	100 MHz	3.5
266 MHz	66 MHz	4	400 MHz	100 MHz	4
300 MHz	66 MHz	4.5	450 MHz	100 MHz	4.5
333 MHz	66 MHz	5	500 MHz	100 MHz	5

Table 2-1

CPU Host Clock Configuration Table

CPU Host Clock	JP39 66MHz based processor	JP39 100MHz based processor
66 MHz		
75 MHz		
83 MHz		
100 MHz (default)	N/A	
112 MHz	N/A	
133 MHz	N/A	
140 MHz	N/A	
150 MHz	N/A	

Table 2-2

NOTE: 75 & 83 MHz are for over-clock usage, it is not a recommended general practice.

CPU Clock Ratio

HOT-661V mainboard provides a Jumper group JP37 to set CPU Speed configure by BIOS or by hardware jumper.

By inserting jumper pack on AUTO group, the user can Soft-Configure the **CPU Host Clock** and **CPU Clock Ratio** from BIOS.

By removing jumper pack from AUTO group and inserting mini jumpers on MANUAL group, the user can configure the CPU Clock Ratio (multiplier) manually.

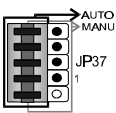
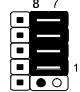
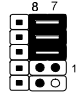
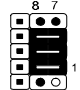
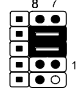
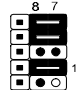
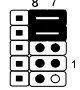
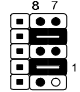
CPU Clock Ratio	JP37	CPU Clock Ratio	JP37
BIOS Setup 2x ~ 5x (Default)			
2 x (133 / 66) (200 / 100)		4 x (266 / 66) (400 / 100)	
2.5 x (166 / 66) (250 / 100)		4.5 x (300 / 66) (450 / 100)	
3 x (200 / 66) (300 / 100)		5 x (333 / 66) (500 / 100)	
3.5 x (233 / 66) (350 / 100)			

Table 2-3

Special Tip for User's Reference Only

HOT-661V mainboard provides a special **Jumper JP45** to overspeed your 66 MHz based Pentium II and Celeron processor to 100 MHz when jumper group JP37 set to MANUAL.

Normally, CPU Host Clock 100 ~ 103 MHz are not available for 66 MHz based processor no matter Soft-Configure or Hard-Configure.

But, when pull out mini jumper from JP45 (let it open), the user can Hard-Configure your 66 MHz based processor to 100 MHz based. For example, overspeed your 266 MHz (66 MHz x 4) Celeron to 300 MHz (100 x 3) or more.

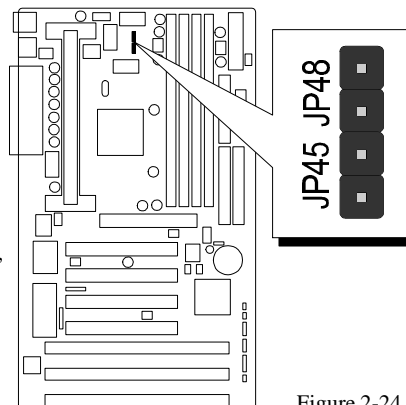


Figure 2-24

Clear CMOS - JP19

HOT-661V mainboard supports jumper **JP19** for discharging mainboard's CMOS memory.

This jumper can clear the CMOS data stored in the Giga I/O chip. To clear the CMOS data please follow listed steps:

- 1) Turn off the PC,
- 2) Remove mini jumper from JP19 pin 1-2,
- 3) Insert mini jumper to JP19 pin 2-3 for a brief while,
- 4) Remove mini jumper from JP19 in 2-3,
- 5) Reinsert mini jumper to JP19 pin 1-2,
- 6) Turn on the PC.

Flash EEPROM Vpp - J17

HOT-661V mainboard supports two types of Flash EEPROM: 5 volt and 12 volt. By setting up jumper J17, the main board can use both 5V or 12V flash EEPROM with new system BIOS files as they come available.

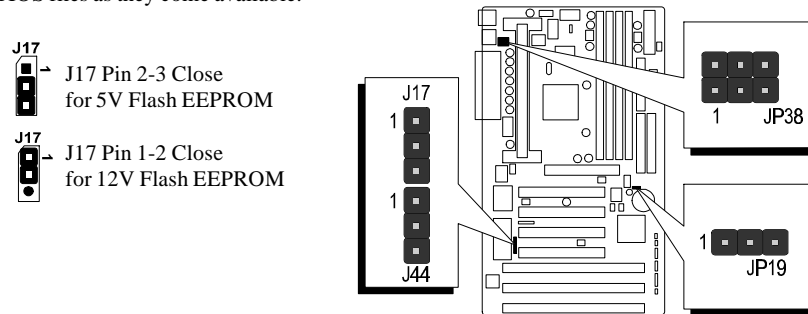


Figure 2-25

Keyboard & PS/2 Mouse Power-On Setting - J44, JP38

HOT-661V mainboard provides an easy power-on function by keyboard and PS/2 mouse. The user may power on system by simply stroke any key (or hot-key) on keyboard or double click PS/2 mouse. **(Note: Power-on by serial mouse is not supported)**

JP38 and J44 are jumpers to set the functions of keyboard & PS/2 mouse power-on Enabled or Disabled.

When you enabled K/B & PS/2 Mouse Power-ON function, you also have to set the proper item on **POWER ON function** category of **Integrated Peripherals** of BIOS setup.

Table 2-4

K/B & PS/2 Mouse Power-On J44, JP38			
Keyboard & PS/2 Mouse Power-On Disabled		PS/2 Mouse Power-On Enabled	
Keyboard & PS/2 Mouse Power-On Enabled		Keyboard Power-On Enabled	

Connectors

Front Panel Connectors

Hardware Reset Connector - J32

Attach 2-pin hardware reset switch to it. Closing the reset switch restarts the system.

PWR LED Connector - J27

Power LED connector is a 3-pin connector for attached to the case's Power LED.

KeyLock Connector - J27

KeyLock connector is a 2-pin connector for a lock that may be installed on the system case for enabling or disabling the keyboard.

Speaker Connector - JP24

PC speaker connector may attach a 4-pin PC speaker cable from the case to this connector.

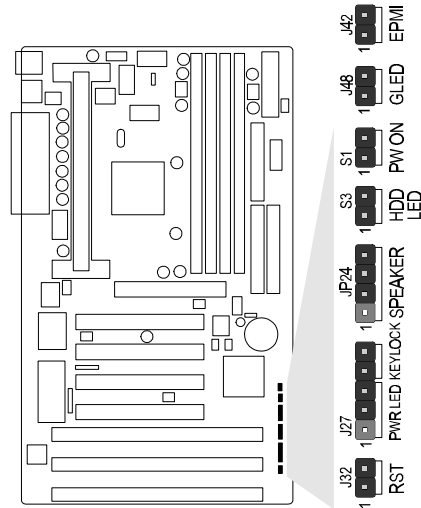


Figure 2-26

HDD LED Connector - S3

Attach a 2-pin IDE drive LED cable to this connector. The LED lights when an IDE device is active.

ATX Power On/Off Switch Connector - S1

Attach a 2-pin momentary type switch to this connector for turning on or off your ATX power supply.

GLED Connector - J48

Attach a 20-pin Green LED cable to it. The Green LED lights when the system get into power saving mode. The Green LED off when the system resume back to normal mode.

EPMI Connector - J42

Hardware System Management Interface connector may attach a 2-pin momentary switch to it. When push it will force system get into power saving mode, and the system will resume when switch is pushed again.

Back Panel Connectors

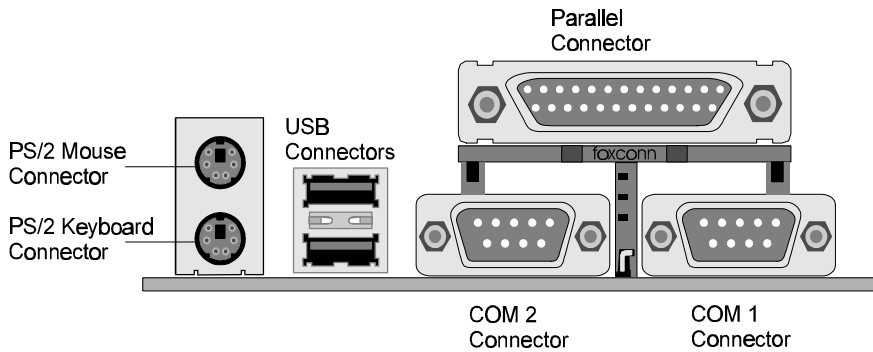


Figure 2-27

COM1/COM2 Connectors

Attach COM1/COM2 device cables to these connectors.

PS/2 Keyboard & PS/2 Mouse Connector

Two 6-pin female PS/2 keyboard & Mouse Connectors is located at the rear of the main board. PS/2 Mouse on top of connector and PS/2 Keyboard on the bottom of connector. Plug the PS/2 keyboard and mouse jack into this connector.

Parallel Port Connector

A 25-pin female connector is located at the rear of the main board. Plug the parallel port device cable into this connector.

USB1/USB2 Port Connectors

Two female connectors are located at the rear of the board. Plug the USB devices jack into this connector.

Other Connectors

ATX Power Supply Connector - J31

It is a twenty-pin male header connector. Plug the connector from the power directly onto the board connector while making sure the pin 1 is in its position. The main board requires a power supply with at least 200 watts and power good signal.

IR Connector - JP4

Infrared device connector may attach a 5-pin infrared device cable to this connector for enabling the infrared transfer function. This mainboard meets the specification of ASKIR and HPSIR. Figure 2-29 shows JP4's pin assignment.

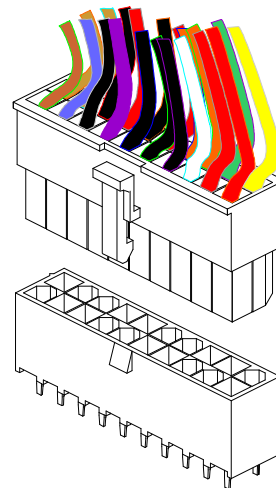


Figure 2-28

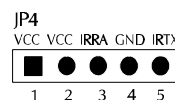


Figure 2-29

CPU, Chassis & AGP cooling Fan connectors - JP29, JP28, J43 & J47

The main board provides three onboard 12V cooling fan power connectors for CPU (JP28 & JP29), Chassis (J43) and AGP device (J47) cooling fan. Depending on the fan maker, the wiring and plug may be different. The red wire should be connected to +12V and black wire should be connected to ground (GND)

Wake-On-LAN Connector - J45

Attach a 3-pin connector from the LAN card which supports the Wake-On-LAN (WOL) function. This function lets users wake up the connected system through the LAN card.

Enhanced IDE and Floppy connectors

The main board shipped with one 40-pin ribbon cable for IDE H.D.D , one 34-pin ribbon cable for F.D.D. Ribbon cables should always be connected with the red stripe on the Pin 1 side of the connector.

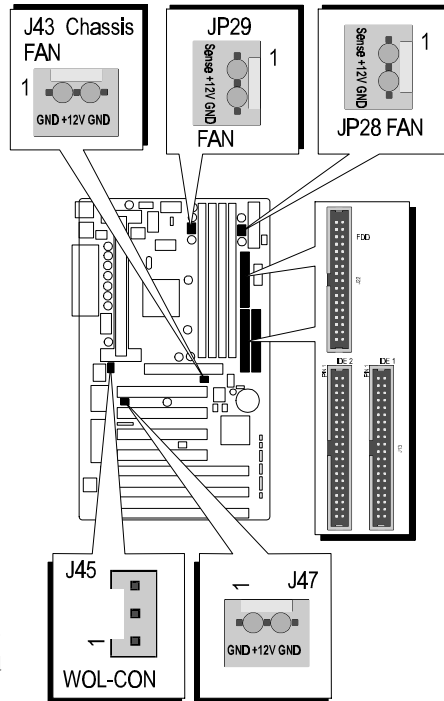


Figure 2-30

3

MEMORY CONFIGURATION

The HOT-661V mainboard provides four 168-pin DIMM sockets that make it possible to install from 8MB up to 1024MB of SDRAM. The DIMM socket support 8MB, 16MB, 32MB, 64MB, 128MB and 256MB 3.3V single- or double-side SDRAM DIMM.

The four DIMM sockets are arranged in four banks of one socket each. Each bank provides a 64/72-bit wide data path.

HOT-661V provides optional data integrity features including EC (Error Checking) or ECC (Error Checking and Correcting) in the memory array. EC mode provides single and multiple bit error detection. In ECC mode, during reads from the DRAM, the HOT-661V provides error checking and correction of the data.

To support ECC, you must use true (opposed to phantom parity generated by TTL chips) 72-bit parity-type DIMM for all modules.

Install memory in any or all of the banks in any combination as follows:

DIMM Socket	Memory Modules	Module Quantity
DIMM 0	8MB, 16MB, 32MB, 64MB, 128MB, 256MB 168-pin 3.3V SDRAM DIMM	x 1
DIMM 1	8MB, 16MB, 32MB, 64MB, 128MB, 256MB 168-pin 3.3V SDRAM DIMM	x 1
DIMM 2	8MB, 16MB, 32MB, 64MB, 128MB, 256MB 168-pin 3.3V SDRAM DIMM	x 1
DIMM 3	8MB, 16MB, 32MB, 64MB, 128MB, 256MB 168-pin 3.3V SDRAM DIMM	x 1

Table 3-1

4

FLASH UTILITY

This chapter briefly discusses Award Flash utility in order to guide you through updating your old BIOS. The file name we use to program here is TEST.BIN, and the file name to save old BIOS is 661V.OLD. Please note that those file names are not absolute. They are only examples to let you have a more clear understanding of the updating process.

How to Begin

1. At the DOS command line, type “awdf flash” and press the ENTER key to begin the updating process.
2. Once you enter, you will see a main menu displaying:
3. Move the cursor to “File Name to Program: ”
4. Type the name of the new BIOS file such as “TEST.BIN”, and then press the ENTER key.
5. At the bottom of the menu, you will be requested to answer:

“Do You Want to Save BIOS (Y/N)? ”

```
FLASH MEMORY WRITER U6.14
(C)Award Software 1998 All Rights Reserved

For i440BX-ITE867-2A69KHZBC-0 DATE: 07/02/1998
Flash Type - WINBOND 29C020 /5U

File Name to Program : TEST.BIN

Error Message: Do You Want To Save Bios (Y/N)
```

The following manual is intended to guide you through the process of both “No” and “Yes” cases respectively.

If “No”

If you do not wish to save the old BIOS:

1. Please type “N”, and then press the ENTER key.
2. Then you will be requested to answer:

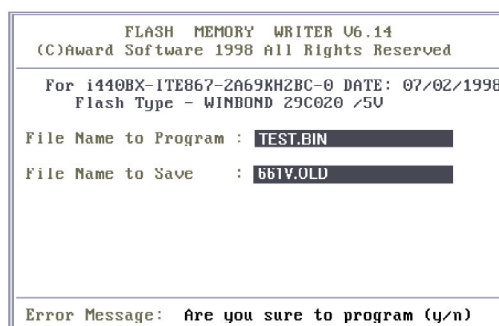
“Are You Sure to Program? ”

3. Answer “N” if you do not want to program, and then it will exit.

If “Yes”

To save the old BIOS:

1. Please respond “Y”, and then press the ENTER key.
2. Move the cursor to “File Name to Save: ”
3. Type file name “661V.OLD”, and then press the ENTER key. (Your old BIOS will be saved in the file name you create. In this case, the old BIOS is saved in the file name, 661V.OLD).
4. Then you will be requested to answer:
“Are You Sure to Program (Y/N)? ”



5. Type “Y” to begin programming, and press the ENTER key.
6. When the programming is finished, the showing message will appear:
7. Once you see the showing message “Power Off or Reset System”, please restart your system.
8. When you power on the computer again, you will find your old BIOS has already been successfully updated.

To view a complete usage of FLASH utility, please type “awdfash /?” and press the ENTER key.

Notes About Award Flash Utility

Please note that Award Flash Utility cannot run under **EMM386** or **QEMM**. Thus, when executing the command “awdfash”, an error message will appear:

“Error Message: Fail — Due to EMM386 or QEMM !”

5

AWARD BIOS SETUP

HOT-661V BIOS ROM has a built-in Setup program that allows users to modify the basic system configuration. This information is stored in battery-backed RAM so that it retains the Setup information when ever the power is turned off.

Entering Setup

Power on the computer and press immediately will allow you to enter Setup. The other way to enter Setup is to power on the computer, when the below message appear briefly at the bottom of the screen during the POST (Power On Self Test), press key or simultaneously press <Ctrl>,<Alt>, and <Esc> keys.

“Press DEL to enter SETUP”

If the message disappears before you respond and you still wish to enter Setup, restart the system to try again by turning it OFF the ON or pressing the “RESET” button on the system case. You may also restart by simultaneously press <Ctrl>,<Alt>, and <Delete> keys. If you do not press the keys at the correct time and the system does not boot, an error message will be displayed and you will again be asked to,

“Press F1 to Continue, DEL To Enter Setup”

The Main Menu

ROM PCI/ISA BIOS (2A6LGH29) CMOS SETUP UTILITY AWARD SOFTWARE, INC.	
<u>STANDARD CMOS SETUP</u>	INTEGRATED PERIPHERALS
BIOS FEATURES SETUP	SUPERVISOR PASSWORD
CHIPSET FEATURES SETUP	USER PASSWORD
POWER MANAGEMENT SETUP	IDE HDD AUTO DETECTION
PNP/PCI CONFIGURATION	SAVE & EXIT SETUP
LOAD BIOS DEFAULTS	EXIT WITHOUT SAVING
LOAD SETUP DEFAULTS	
Esc : Quit	↑ ↓ → ← : Select Item
F10 : Save & Exit Setup	(Shift)F2 : Change Color

Standard CMOS setup

This setup page includes all items in a standard compatible BIOS.

BIOS features setup

This setup page includes all items of Award special enhanced features.

Chipset features setup

This setup page includes all items of chipset features.

Power Management Setup

This setup page includes all items of Power Management features.

PnP/PCI Configuration setup

This item specifies the value (in units of PCI bus blocks) of the latency timer for the PCI bus master and the IRQ level for PCI device. Power-on with BIOS defaults

Load BIOS Defaults

BIOS defaults loads the values required by the System for the maximum performance. However, you can change the parameter through each Setup Menu.

Load Setup Defaults

Setup defaults loads the values required by the system for the O.K. performance. However, you can change the parameter through each Setup Menu.

Integrated Peripherals

This setup page includes all items of peripheral features.

Supervisor Password

Change, set, or disable supervisor password. It allows you to limit access to the system and Setup, or just to Setup.

User Password

Change, set, or disable user password. It allows you to limit access to the system and Setup, or just to Setup.

IDE HDD auto detection

Automatically configure IDE hard disk drive parameters.

Save & Exit setup

Save CMOS value change to CMOS and exit setup

Exit without saving

Abandon all CMOS value changes and exit setup.

Standard CMOS Setup

```
ROM PCI/ISA BIOS (2A6LGH29)
STANDARD CMOS SETUP
AWARD SOFTWARE, INC.

Date (mm:dd:yy) : Fri, Oct 9 1998
Time (hh:mm:ss) : 10 : 47 : 24

HARD DISKS          TYPE      SIZE  CYLS HEAD PRECOMP LANDZ SECTOR  MODE
-----
Primary Master    : Auto      0      0   0   0   0   0   0   AUTO
Primary Slave     : Auto      0      0   0   0   0   0   0   AUTO
Secondary Master  : Auto      0      0   0   0   0   0   0   AUTO
Secondary Slave   : Auto      0      0   0   0   0   0   0   AUTO

Drive A : 1.44M, 3.5 in.
Drive B : None

Video : EGA/UGA
Halt On : All Errors

Base Memory:  0K
Extended Memory:  0K
Other Memory:  512K
-----
Total Memory:  512K

ESC : Quit          ↑ ↓ → ← : Select Item      PU/PD/+/- : Modify
F1  : Help          (Shift)F2 : Change Color
```

Date

The date format is <day>, <month> <date> <year>. Press <F3> to show the calendar.

Time

The time format is <hour> <minute> <second>. The time is calculated base on the 24-hour military-time clock. For example, 5 p.m. is 17:00:00.

Hard Disks Type

This item identify the types of hard disk drives that has been installed in the computer. There are 46 predefined types and a user definable type.

Press PgUp or PgDn to select a numbered hard disk type or type the number and press <Enter>. Note that the specifications of your drive must match with the drive table. The hard disk will not work properly if you enter improper information for this item. If your hard disk drive type is not matched or listed, you can use Type User to define your own drive type manually.

If you select Type User, related information is asked to be entered to the following items. Enter the information directly from the keyboard and press <Enter>. Those information should be provided in the documentation from your hard disk vendor or the system manufacturer.

The user may also set those items to AUTO to auto configure hard disk drives parameter when system power-on.

If a hard disk drive has not been installed select NONE and press <Enter>.

Drive A type/Drive B type

This item specifies the types of floppy disk drive A or drive B that has been installed in the system.

Video

This item selects the type of adapter used for the primary system monitor that must match your video display card and monitor. Although secondary monitors are supported, you do not have to select the type in Setup.

Error halt

This item determines if the system will stop, when an error is detected during power up.

Memory

This item is display-only. It is automatically detected by POST (Power On Self Test) of the BIOS.

Base Memory

The POST of the BIOS will determine the amount of base (or conventional) memory installed in the system. The value of the base memory is typically 512K for systems with 512K memory installed on the mainboard, or 640K for systems with 640K or more memory installed on the mainboard.

Extended Memory

The BIOS determines how much extended memory is present during the POST. This is the amount of memory located above 1MB in the CPU's memory address map.

BIOS Features Setup

ROM PCI/ISA BIOS (2A6LGH29) BIOS FEATURES SETUP AWARD SOFTWARE, INC.			
Virus Warning	: Disabled	Video BIOS Shadow	: Enabled
CPU Internal Cache	: Enabled	C8000-CBFFF Shadow	: Disabled
External Cache	: Enabled	CC000-CFFFF Shadow	: Disabled
CPU L2 Cache ECC Checking	: Enabled	D0000-D3FFF Shadow	: Disabled
Quick Power On Self Test	: Enabled	D4000-D7FFF Shadow	: Disabled
Boot Sequence	: A,C,SCSI	D8000-DBFFF Shadow	: Disabled
Swap Floppy Drive	: Disabled	DC000-DFFFF Shadow	: Disabled
Boot Up Floppy Sock	: Enabled		
Root Up Numlock Status	: On		
Gate A20 Option	: Normal		
Memory Parity/ECC Check	: Enabled		
Typeomatic Rate Setting	: Disabled		
Typeomatic Rate (Chars/Sec)	: 6		
Typeomatic Delay (Msec)	: 250		
Security Option	: Setup		
PCI/UGA Palette Snoop	: Disabled	ESC : Quit	↑↓←→ : Select Item
OS Select For DRAM > 64MB	: Non-OS2	F1 : Help	PU/PD,+/ - : Modify
		F5 : Old Values	(Shift)F2 : Color
		F6 : Load BIOS Defaults	
		F7 : Load Setup Defaults	

Virus Warning

When this item is enabled, the Award BIOS will monitor the boot sector and partition table of the hard disk drive for any attempt at modification. If an attempt is made, the BIOS will halt the system and the following error message will appear. Afterwards, if necessary, you will be able to run an anti-virus program to locate and remove the problem before any damage is done.

!WARNING!
Disk boot sector is to be modified
Type "Y" to accept write or "N" to abort write
Award Software, Inc.

CPU Internal Cache

This item enables CPU internal cache to speed up memory access.

External Cache

This item enables CPU secondary cache to speed up memory access.

Quick Power On Self Test

This item speeds up Power On Self Test (POST) after you power on the computer. If it is set to Enabled, BIOS will shorten or skip some check items during POST.

Boot Sequence

This item determines which drive computer searches first for the disk operating system. Default setting is A, C, SCSI.
BIOS also support system boot from CD-ROM drive or SCSI hard disk drive.

Swap Floppy Drive

When this item enables, the BIOS will swap floppy drive assignments so that Drive A: will function as Drive B: and Drive B: as Drive A:.

Boot Up Floppy Seek

During POST, BIOS will determine if the floppy disk drive installed is 40 or 80 tracks.

Boot Up NumLock Status

When this option enables, BIOS turns on *Num Lock* when system is powered on.

Gate A20 Option

This entry allows you to select how the gate A20 is handled. The gate A20 is a device used to address memory above 1 MByte. Initially, the gate A20 was handled via a pin on the keyboard. Today, while keyboards still provide this support, it is more common, and much faster, set to Fast for the system chipset to provide support for gate A20.

Memory Parity/ECC Check

This item allows you to set memory error checking, Enabled or Disabled.

Typematic Rate Setting

This determines if the typematic rate is to be used. when disabled, continually holding down a key on your keyboard will generate only one instance. In other words, the BIOS will only report that the key is down. When the typematic rate is enabled, the BIOS will report as before, but it will then wait a moment, and, if the key is still down, it will begin the report that the key has been depressed repeatedly. For example, you would use such a feature to accelerate cursor movements with the arrow keys.

Typematic Rate (Chars/Sec)

When the typematic rate is enabled, this selection allows you select the rate at which the keys are accelerated.

Typematic Delay (Msec)

When the typematic rate is enabled, this selection allows you to select the delay between when the key was first depressed and when the acceleration begins

Security Option

This item allows you to limit access to the System and Setup, or just to Setup.

When *System* is selected, the System will not boot and access to Setup will be denied if the correct password is not entered at the prompt.

When *Setup* is selected, the System will boot, but access to Setup will be denied if the correct password is not entered at the prompt.

PCI/OVGA Palette Snoop

This item must be set to enabled if there is a MPEG ISA card installed in the system, and disabled if there is no MPEG ISA card installed in the system.

OS Select For DRAM > 64MB

This item allows you to access the memory that over 64 MB in OS/2.

Video BIOS Shadow

Determines whether video BIOS will be copied to RAM. However, it is optional depending on chipset design. Video Shadow will increase the video speed.

C8000-CBFFF Shadow/DC000-DFFFF Shadow

These categories determine whether option ROMs will be copied to RAM. An example of such option ROM would be support of on-board SCSI.

Chipset Features Setup

ROM PCI/ISA BIOS (2A6LGH29) CMOS SETUP UTILITY CHIPSET FEATURES SETUP			
Bank 0/1 DRAM Timing	: Normal	CPU Warning Temperature	: Disabled
Bank 2/3 DRAM Timing	: Normal	Current System Temp.	: XX°C/XX°F
Bank 4/5 DRAM Timing	: Normal	Current CPU1 Temperature	: XX°C/XX°F
Bank 6/7 DRAM Timing	: Normal	Current CPUFAN1 Speed	: XXXXRPM
SDRAM Cycle Length	: 2	Current CPUFAN2 Speed	: XXXXRPM
DRAM Clock	: Host CLK	Vcore	: XX.XV Vcore : XX.XV
Memory Hole	: Disabled	Vio	: XX.XV + 5 V : XX.XV
Read Around write	: Disabled	+12 V	: XX.XV 12 V : XX.XV
Concurrent PCI/Host	: Disabled	- 5 V	: -XX.XV
Video RAM Cacheable	: Disabled	Shutdown Temperature	: 60°C/140°F
AGP Aperture Size	: 64M		
AGP-2X Mode	: Enabled		
OnChip USB	: Disabled		
Auto Detect DIMM/PCI Clk	: Disabled	ESC	: Quit
Spread Spectrum Modulated	: Disabled	F1	: Help
CPU Host Clock	: 100MHz	F5	: Old Values (Shift)F2 : Color
CPU Clock Ratio	: x3.5	F6	: Load BIOS Defaults
CPU Speed	: 350 MHz	F7	: Load Setup Defaults

Bank x/x DRAM Timing

This value in this field is set by the system board manufacturer, depending on whether the board has paged DRAMS or EDO DRAMS.

The choice: 70ns, 60ns.

SDRAM Cycle Length

This field allows you to set the SDRAM latency timer.

The Choice: 2,3.

DRAM Clock

This item set the DRAM Read/Write timings that the system uses.

Memory Hole

In order to improve performance, some space in memory can be reserved for ISA cards.

Read Around write

This is a new cache technology for the video memory of the processor. It can greatly improve the display speed by caching the display data. You must leave this on the default setting of *Disabled* if your display card cannot support this feature or else your system may not boot.

Concurrent PCI/Host

This item disable CPU bus will be occupied during the entire PCI operation period.

Video RAM Cacheable

When enabled. The Video RAM cache will cause access to video RAM addressed at C0000H to C7FFFH to be cached, if the cache controller is also enabled.

AGP Aperture Size (MB)

This item allows the user to set memory-mapped, graphics data structures can reside in Graphics Aperture.

AGP-2X Mode

This item allows you to enable/disable AGP-2X function. See www.apgforum.org for AGP information.

OnChip USB

Select Enabled if your system contains a Universal Serial Bus (USB) controller and you have a USB peripheral.

Auto Detect DIMM/PCI Clk

Enabling this item allow system auto detect and close clock signal to empty DIMM/PCI slot to reduce EMI.

Spread Spectrum Modulated

This item allows the user to enable Spread Spectrum Modulated to reduce the EMI.

CPU Host Clock

This item allows the user to adjust CPU Host Bus Clock from BIOS when JP37 is set to Auto.

The user may adjust CPU Host Clock from 50 MHz to 83 MHz when 66 MHz based Pentium II or Celeron processor is used, or from 100 MHz to 112 MHz when 100 MHz based Pentium II processor is used.

This item will not show up when JP37 is set to Manual.

CPU Clock Ratio

This item allows the user to adjust CPU Host Clock/Internal Clock ration when JP37 is set to Auto.

The user may adjust CPU Clock Ratio from x2 to x5.

This item will not show up when JP37 is set to Manual.

CPU Speed

This item is show only. when CPU Host Clock and CPU Clock Ratio is set, the result will be display on this item.

CPU Warning Temperature (optional)

Since the mainboard support CPU temperature monitoring and overhear alert. This item allows the user to set the threshold of CPU warning temperature. When CPU temperature over the threshold, system will slow down clock to prevent CPU damage.

Current System Temperature (optional)

Since the mainboard support System and CPU temperature monitoring and overhear alert. This item indicate the current main board temperature.

Current CPU1 Temperature (optional)

Since the mainboard support System and CPU temperature monitoring and overhear alert. This item indicate the current Processor temperature.

Current CPUFAN1/2 Speed(optional)

The mainboard can detect two fans rotation speed for CPU cooler and system. CPUFAN1 indicate the CPU cooling fan's rotation speed which inserting on JP28 and CPUFAN2 indicate cooling fans rotation speed which inserting on JP29.

IN0(V) ~ IN2(V), +5V ~ -5V (optional)

The mainboard support CPU and mainboard voltages monitoring. The onboard hardware monitor is able to detect the voltages output of the voltage regulators and power supply.

Power Management Setup

ROM PCI/ISA BIOS (2A61GH29) POWER MANAGEMENT SETUP AWARD SOFTWARE, INC.			
ACPI function	: Disabled	Primary IMTR	: ON
Power Management	: User Define	IRQ3 (COM 2)	: Primary
PM Control by APM	: Ycs	IRQ4 (COM 1)	: Primary
Video Off Option	: Suspend -> Off	IRQ5 (LPT 2)	: Primary
Video Off Method	: V/H SYNC+Blank	IRQ6 (Floppy Disk)	: Primary
MODEM Use IRQ	: 3	IRQ7 (LPT 1)	: Primary
Soft-Off by PWRBTN	: Instant-Off	IRQ8 (RTC Alarm)	: Disabled
** PM Timers **		IRQ9 (IRQ2 Redir)	: Secondary
HDD Power Down	: Disable	IRQ10 (Reserved)	: Secondary
Doze Mode	: Disable	IRQ11 (Reserved)	: Secondary
Suspend Mode	: Disable	IRQ12 (PS/2 Mouse)	: Primary
** PM Events **		IRQ13 (Coprocessor)	: Disabled
VGA	: OFF	IRQ14 (Hard Disk)	: Primary
LPT & COM	: LPT/COM	IRQ15 (Reserved)	: Disabled
HDD & FDD	: ON	ESC : Quit	11++ : Select Item
Wake Up On LAN	: Disabled	F1 : Help	PU/PD/+/- : Modify
Modem Ring Resume	: Disabled	F5 : Old Values (Shift)F2 : Color	
RTC Alarm Resume	: Disabled	F6 : Load BIOS Defaults	
		F7 : Load Setup Defaults	

ACPI Function

This item determine to support ACPI function or not.

Power Management

This item determines the options of the power management function. *Max Saving* puts the system into power saving mode after a brief period of system inactivity; *Min Saving* is the same as *Max Saving* except the time of the system inactivity period is longer; *Disabled* disables the power saving feature; *User Defined* allows you to set power saving options according to your preference.

PM Control by APM

If this item set to *No*, system BIOS will be ignored and APM calls the power to manage the system.

If this item setup to *Yes*, system BIOS will wait for APM's prompt before it enter any PM mode e.g. *DOZE*, *STANDBY* or *SUSPEND*.

Video Off Option

When enabled, this features allows the VGA adapter to operate in a power saving mode.

Always On : Monitor will remain on during power saving modes.

Suspend --> Off : Monitor blanked when the systems enters the Suspend mode.

Susp, Stby --> Off : Monitor blanked when the system enters either Suspend or Standby modes.

All Modes --> Off : Monitor blanked when the system enters any power saving mode.

Video Off Method

This item define the video off features -*V/H SYNC+Blank*, *DPMS*, and *Blank Only*. The first option, which is the default setting, blanks the screen and turns off vertical and horizontal scanning; *DPMS* allows the BIOS to control the video display card if it supports the *DPMS* feature; *Blank Screen* only blanks the screen.

MODEM Use IRQ

This item determines the IRQ in which the MODEM can use.
The choice: 1, 3, 4, 5, 7, 9, 10, 11, N/A.

Soft-Off by PWRBTN

When Enabled, turning the system off with the on/off button places the system in a very low-power-usage state, with only enough circuitry receiving power to detect power button activity or Resume by Ring activity.

HDD Power Down

When enabled and after the set time of system inactivity, the hard disk drive will be powered down while all other devices remain active.

Doze Mode

When enabled and after the set time of system inactivity, the CPU clock will run at slower speed while all other devices still operate at full speed.

Suspend Mode

When enabled and after the set time of system inactivity, all devices except the CPU will be shut off.

**** PM Events ****

PM events are I/O events whose occurrence can prevent the system from entering a power saving mode or can awaken the system from such a mode. In effect, the system remains alert for anything occurs to a device which is configured as *On*, even when the system is a power down mode.

VGA

When set to *On* (default), any event occurring at a VGA port will awaken a system which has been powered down.

LPT & COM

When set to *LPT/COM* (default), any event occurring at a COM (Serial)/LPT port will awaken a system which has been powered down.

HDD & FDD

When set to *On* (default), any event occurring at a hard or floppy drive port will awaken a system which has been powered down.

Wake Up On LAN

This item determine the system will resume by activity of LAN. If enabled this feature system will power-on itself from power off when the activity of LAN.

Modem Ring Resume

When set to Enabled, any event occurring Modem Ring/activity of LAN will awaken a system which has been powered down.

RTC Alarm Resume

When set to Enabled RTC Alarm Resume, you could set the date (of month) and timer (hh:mm:ss), any event occurring at RTC will awaken system which has been powered down.

Primary INTR

When set to *On* (default), any event occurring at will awaken a system which has been powered down.

The following is a list of IRQ, Interrupt ReQuests, which can be exemplified much as the COM ports and LPT port above can. When an I/O device wants to gain the attention of the operating system, it signals this by causing an IRQ to occur. When the operation system is ready to respond to the request, it interrupts itself and performs the service.

As above, the choices are *On* and *Off*.

When set On, activity will neither prevent the system from going into a power management mode nor awaken it.

- | | |
|-----------------------|----------------------|
| - IRQ3 (COM 2) | - IRQ4 (COM 1) |
| - IRQ5 (LPT 2) | - IRQ6 (Floppy Disk) |
| - IRQ7 (LPT 1) | - IRQ8 (RTC Alarm) |
| - IRQ9 (IRQ2 Redir) | - IRQ10 (Reserved) |
| - IRQ11 (Reserved) | - IRQ12 (PS/2 Mouse) |
| - IRQ13 (Coprocessor) | - IRQ14 (Hard Disk) |
| - IRQ15 (Reserved) | |

PCI Configuration Setup

ROM PCI/ISA BIOS (2A6LGH29) PNP/PCI CONFIGURATION AWARD SOFTWARE, INC.	
PNP OS Installed : No	CPU to PCI Write Buffer : Enabled
Resources Controlled By : Auto	PCI Dynamic Bursting : Disabled
Reset Configuration Data : Disabled	PCI Master 0 WS Write : Enabled
	PCI Delay Transaction : Disabled
	PCI#2 Access #1 Retry : Disabled
	AGP Master 1 WS Write : Disabled
	AGP Master 1 WS Read : Disabled
	PCI Latency Timer(CLK) : 64
	PCI IRQ Activated By : Level
	Assign IRQ For USB : Enabled
	Assign IRQ For VGA : Disabled
	Assign IRQ For ACPI : IRQ10
	MS IRQ Routing Table : Disabled
	ESC : Quit F1← : Select Item
	F1 : Help PU/PD/←/→ : Modify
	F5 : Old Values (Shift)F2 : Color
	F6 : Load BIOS Defaults
	F7 : Load Setup Defaults

PNP OS Installed

When this item is set to Yes, it will allow the PnP OS(Windows 95) control the system resources except PCI devices and PnP boot devices.
Default setting is *No*.

Resources Controlled By

The Award Plug and Play BIOS has the capability to automatically configure all of the boot and Plug and Play compatible devices. However, this capability means absolutely nothing unless you are using a Plug and Play operating system as Windows 95.

Reset Configuration Data

This item allows you to determine whether to reset the configuration data or not.

IRQ 3/4/5/7/9/10/11/12/14/15, assigned to

These items allow you to determine the IRQ assigned to the ISA bus and is not available for PCI slot.

Choices are *Legacy ISA* and *PCI/ISA PnP*.

DMA 0/1/3/5/6/7 assigned to

These items allow you to determine the DMA assigned to the ISA bus and is not available for PCI slot.

Choices are *Legacy ISA* and *PCI/ISA PnP*.

CPU to PCI Write Buffer

When enabled, up to four Dwords of data can be written to the PCI bus without interrupting the CPU. When disabled, a write buffer is not used and the CPU read cycle will not be completed until the PCI bus signals that it is ready to receive the data.

PCI Dynamic Bursting

When Enabled, data transfers on the PCI bus, where possible, make use of the high-performance PCI burst protocol, in which greater amounts of data are transferred at a single command.

The choice : Enabled, Disabled.

PCI Master 0 WS Write

When Enabled, writes to the PCI bus are command with zero wait states.

The choice : Enabled, Disabled.

PCI Delay Transaction

The chipset has an embedded 32-bit posted write buffer to support delay transactions cycles. Select Enabled to support compliance with PCI specification version 2.1.

The choice : Enabled, Disabled.

PCI #2 Access #1 Retry

This item allows you enable/disable the PCI #2 Access #1 Retry.

The choice : Enabled, Disabled.

AGP Master 1 WS Write

This implements a single delay when writing to the AGP Bus. By default, two-wait states are used by the system, allowing for greater stability.

The choice : Enabled, Disabled.

AGP Master 1 WS Read

This implements a single delay when reading from the AGP Bus. By default, two-wait states are used by the system, allowing for greater stability.

The choice : Enabled, Disabled.

PCI Latency Timer (CLK)

The number of clocks programmed in the PCI Latency Timer represents the guaranteed time slice allocated to the chips, after which it must complete the current data transfer phase and surrender the bus as soon as its bus grant is removed.

The PCI Latency Timer is used to guarantee to the PCI agents a minimum amount of the system resource.

PCI IRQ Activated by

This item sets the method by which the PCI bus recognize that an IRQ service is being requested by a device. You should never change the default configuration unless advised otherwise by your System's manufacturer. Choices are *Level*(default) and *Edge*.

Assign IRQ For USB

This item allows the user to assign IRQ to on-board USB controller or not.

Since on-board controller is enabled always, if none of IRQ is assigned to it, there will be a question mark report on system device under windows 95.

Assign IRQ For VGA

This item allows the user to set VGA IRQ Routing table Enabled or Disabled.

Assign IRQ For ACPI

This item allows the user to set ACPI IRQ Routing table Enabled or Disabled.

MS IRQ Routing Table

This item allows the user to set BIOS IRQ Routing Table Enabled or Disabled.

Integrated Peripherals

ROM PCI/ISA BIOS (2A6LGH29) INTEGRATED PERIPHERALS AWARD SOFTWARE, INC.	
OnChip IDE Channel0 : Enabled	UR2 Duplex Mode : Half
OnChip IDE Channel1 : Enabled	Onboard Parallel Port : 3/8/IRQ/
IDE Prefetch Mode : Disabled	Parallel Port Mode : SPP
IDE HDD Block Mode : Disabled	ECP Mode Use DMA : 3
Primary Master PIO: Auto	
Primary Slave PIO: Auto	
Secondary Master PIO: Auto	
Secondary Slave PIO: Auto	
Primary Master IDEMA: Disable	
Primary Slave UDMA: Disable	
Secondary MasterUDMA: Disable	
Secondary Slave UDMA: Disable	
Init Display First : PCI Slot	
POWER ON Function : BUTTON ONLY	
Hot Key Power ON : Ctrl-F1	
KBC input clock : 8 MHz	
Onboard FDC Controller: Enabled	ESC : Quit
Onboard Serial Port 1 : Auto	F1 : Help
Onboard Serial Port 2 : Auto	F5 : Old Values (Shift)F2 : Color
UR2 Mode : Standard	F6 : Load BIOS Defaults
	F7 : Load Setup Defaults
	F11 : Select Item
	PU/PD/+- : Modify

OnChip IDE Channel0

This item is used to defined on chip Primary PCI IDE controller is Enable or Disable setting.

OnChip IDE Channel1

This item is used to defined on chip secondary PCI IDE controller is Enable or Disable setting.

IDE Prefetch Mode

Enable prefetching for IDE drive interfaces that support its faster drive accesses. If you are getting disk drive errors, change the setting to omit the drive interface where the errors occur. Depending on the configuration of your IDE subsystem, this field may not appear, and it does not appear when the Internal PCI/IDE field, above, is Disabled.

The choice : Enabled, Disabled.

IDE HDD Block Mode

This item is used to set IDE HDD Block Mode. If your IDE Hard Disk supports block mode, then you can enable this functiuon to speed up the HDD access time. If not, please disable this function to avoid HDD access error.

Primary Master/Slave PIO

In this items, there are five modes defined in manual mode and one automatic mode. There are 0, 1, 2, 3, 4, and AUTO is the default settings for on board Primary Master/Slave PIO timing.

Secondary Master/Slave PIO

In this items, there are five modes defined in manual mode and one automatic mode. There are 0, 1, 2, 3, 4, and *AUTO* is the default settings for on board Secondary Master/Slave PIO timing.

Primary Master/Slave UDMA

On this mainboard, VIA Chipset improves IDE transfer rate using Bus Master UltraDMA/33 IDE which can handle data transfer up to 33MB/sec. The options are *Disabled*, *Enabled* and *Auto*, *Auto* is the default settings for on board Primary Master / Slave UltraDMA33.

Note : Your hard drive must also support UDMA for this feature to work.

Secondary Master/Slave UDMA

On this mainboard, VIA Chipset improves IDE transfer rate using Bus Master UltraDMA/33 IDE which can handle data transfer up to 33MB/sec. The options are *Disabled*, *Enabled* and *Auto*, *Auto* is the default settings for on board Secondary Master/Slave UltraDMA33.

Note : Your hard drive must also support UDMA for this feature to work.

Initial Display First

This item is used to determine initial device when system power on. The options are *PCI* and *AGP*.

POWER ON Function

This item is used to defined Keyboard & PS/2 mouse power-on function enabled or disabled. The options are **Button Only**, **HOT-Key** and **PS/2 Mouse**.

Button Only - Only soft-on/off button on the front panel is available.

Hot-Key - Power-on by soft-on/off button and keyboard are available. The user may set power-on hot-key from <Ctrl><F1> to <Ctrl><F12>.

PS/2 Mouse - Powre-on by soft-on/off button and PS/2 Mouse are available.

Note:1. When item of PS/2 Mouse or HOT-Key is selected, please also adjust jumper JP38 & J44 to the proper position.

2. USB keyboard, USB Mouse and Serial Mouse are not supported to this function.

Hot Key Power ON

Power-on by soft-on/off button and keyboard are available.

KBC Input Clock

This item to set the input clock to onboard keyboard controller. The options are *8MHz* and *12MHz*.

Onboard FDC Control

This item specifies onboard floppy disk drive controller. This setting allows you to connect your floppy disk drives to the onboard floppy connector. Choose the *'Disabled'* settings if you have a separate control card.

Onboard Serial Port 1

This item is used to define onboard serial port 1 to *3F8/IRQ4*, *2F8/IRQ3*, *3E8/IRQ4*, *2E8/IRQ3*, *Auto* or *Disabled*.

Onboard Serial Port 2

This item is used to define onboard serial port 2 to *3F8/IRQ4*, *2F8/IRQ3*, *3E8/IRQ4*, *2E8/IRQ3*, *Auto* or *Disabled*.

UR2 Mode

The main board support IrDA(HPSIR) and Amplitudes Shift Keyed IR(ASKIR) infrared through COM 2 port. This item specifies onboard Infra Red mode to *IrDA 1.0*, *ASKIR*, *MIR 0.57M*, *MIR 1.15M*, *FIR* or *Standard (Disabled)*.

Note : FIR is not available currently.

UR2 Duplex Mode

This item specifies onboard infrared transfer mode to *full-duplex* or *half-duplex*. This item will not show up when IrDA, ASKIR, or MIR UR2 modes are selected.

Onboard Parallel Port

This item specifies onboard parallel port address to *378H*, *278H*, *3BCH* or *Disabled*.

Parallel Port Mode

This item specifies onboard parallel port mode. The options are *SPP* (Standard Parallel Port), *EPP* (Enhanced Parallel Port), *ECP* (Extended Capabilities Port), and *EPP+ECP*.

ECP Mode Use DMA

This item specifies *DMA* (Direct Memory Access) channel when ECP device is in use. The options are *DMA 1* and *DMA 3*. This item will not show up when SPP and EPP printer mode is selected.

Password Setting

This section describes the two access modes that can be set using the options found on the Supervisor Password and User Password.

ROM PCI/ISA BIOS (2A59GHZB) CMOS SETUP UTILITY AWARD SOFTWARE, INC.	
STANDARD CMOS SETUP	INTEGRATED PERIPHERALS
BIOS FEATURES SETUP	IDE HDD AUTO DETECTION
CHIPSET FEATURES SETUP	SUPERVISOR PASSWORD
POWER MANAGEMENT SETUP	USER PASSWORD
PNP/PCI CONFIGURATION	SAVE & EXIT SETUP
LOAD BIOS DEFAULTS	Enter Password: <input type="text"/>
LOAD SETUP DEFAULTS	UT SAVING
Esc : Quit	↑ ↓ → ← : Select Item
F10 : Save & Exit Setup	(Shift)F2 : Change Color
Change/Set/Disable Password	

Supervisor Password and User Password

The options on the Password screen menu make it possible to restrict access to the Setup program by enabling you to set passwords for two different access modes: Supervisor mode and User mode.

In general, Supervisor mode has full access to the Setup options, whereas User mode has restricted access to the options. By setting separate Supervisor and User password, a system supervisor can limit who can change critical Setup values.

Enter Password

Type the password, up to eight characters, and press <Enter>. The password typed now will clear any previously entered password from CMOS memory. You will be asked to confirm the password. Type the password again and press <Enter>. You may also press <Esc> to abort the selection and not enter a password.

To disable password, just press <Enter> when you are prompted to enter password. A message will confirm the password being disabled. Once the password is disabled, the system will boot and you can enter Setup freely.

Password Disable

If you select System at Security Option of BIOS Features Setup Menu, you will be prompted for the password every time the system is rebooted or any time you try to enter Setup. If you select Setup at Security Option of BIOS Features Setup Menu, you will be prompted only when you try to enter Setup.

Warning : Retain a record of your password in a safe place. If you forget the password, the only way to access the system is to clear CMOS memory, please refer to page 17 "Clear CMOS".