



## Electronic Emission Notices

### **Federal Communications Commission (FCC) Statement**

This equipment has been tested and found to comply with the limits for a Class B digital device, pursuant to Part 15 of FCC Rules. These limits are designed to provide reasonable protection against harmful interference in a residential installation. This equipment generates, uses and can radiate radio frequency energy and, if not installed and used in accordance with instructions contained in this manual, may cause harmful interference to radio and television communications. However, there is no guarantee that interference will not occur in a particular installation.

If this equipment does cause harmful interference to radio or television reception, which can be determined by turning the equipment off and on, the user is encouraged to try to correct the interference by one or more of the following measures:

- REORIENT OR RELOCATE THE RECEIVING ANTENNA
- INCREASE THE SEPARATION BETWEEN THE EQUIPMENT AND THE RECEIVER
- CONNECT THE EQUIPMENT INTO AN OUTLET ON A CIRCUIT DIFFERENT FROM THAT OF THE RECEIVER
- CONSULT THE DEALER OR AN EXPERIENCED AUDIO/TELEVISION TECHNICIAN

**NOTE:** Connecting this device to peripheral devices that do not comply with Class B requirements, or using an unshielded peripheral data cable, could also result in harmful interference to radio or television reception.

The user is cautioned that any changes or modifications not expressly approved by the party responsible for compliance could void the user's authority to operate this equipment.

To ensure that the use of this product does not contribute to interference, it is necessary to use shielded I/O cables.

### **Copyright**

This manual is copyrighted with all rights reserved. No portion of this manual may be copied or reproduced by any means.

While every precaution has been taken in the preparation of this manual, no responsibility for errors or omissions is assumed. Neither is any liability assumed for damages resulting from the use of the information contained herein.

### **Trademarks**

All brand names, logos and registered trademarks mentioned are property of their respective owners.

# TABLE OF CONTENT

---

---

## INTRODUCTION

1	FEATURES OF MOTHERBOARD .....	3
	SPECIAL FEATURES OF MOTHERBOARD .....	4
2	SPECIFICATION.....	5
3	LAYOUT DIAGRAM & JUMPER SETTING.....	6

## HARDWARE INSTALLATION

1	INSTALL CPU .....	9
2	INSTALL MEMORY .....	10
3	EXPANSION CARDS .....	11

## CONNECTORS, HEADERS & JUMPERS SETTING

1	CONNECTORS .....	13
2	HEADERS .....	15
3	STARTING UP YOUR COMPUTER .....	19

## USEFUL SETUP

1	BIOS SETUP .....	20
2	DRIVER & FREE PROGRAM INSTALATION .....	39

## USEFUL HELP

1	HOW TO UPDATE BIOS .....	50
2	TROUBLE SHOOTING .....	50

## Box Included Checklist

- Sapphire PC-AM2RX780 Motherboard
- Cable for ATA 133 IDE
- Sapphire Driver CD for Motherboard and Utilities
- Cable for Serial ATA II
- Sapphire PC-AM2RX780 Motherboard User's Manual
- Rear External I/O Shield
- PCI-E X16 slot Switch Card

## Environmental Protection Announcement

Do not dispose this electronic device into the trash while discarding. To minimize pollution and ensure environment protection of mother earth, please recycle.



## Features of motherboard

The AMD 770 Series motherboards are based on the latest AMD 770 Chipset and the SB600 chipset which supports the new generation innovative 64-bit AMD Socket AM2+ dual core multi-tasking Socket AM2+ Athlon64 X2 processors. With an integrated low-latency high-bandwidth DDRII memory controller and a highly-scalable Hyper Transport technology-based system bus up to HTT 3.0 . AMD 770 Platform Processor Chipset motherboard series deliver the outstanding system performance and professional desktop platform solution with the advantages of new generation 64-bit AMD Socket AM2+ Phenom / Athlon64 / Sempron processors .

The AMD 770 Series motherboards support new generation Socket AM2+ processors with an integrated DDRII memory controller which provides with 266MHz / 333MHz/ 400MHz / 533MHz memory clock frequency for Dual channel DDRII533 / DDRII667 / DDRII800 / DDRII1066 Module up to 8.0GB. The motherboard is embedded with SB600 chipset of providing ULTRA ATA 133 connectors and Serial ATA2 with RAID 0 ,1, 10 , 0+1 functions which support up to two IDE and four Serial ATA2 devices to accelerate hard disk drives and guarantee the data security without failure in advanced computing performance.

The 770 series motherboards provide gigabit LAN function with Marvell M88E8056 PCI-E LAN which supports 10/100/1000Mbps data transfer rate. And the embedded Azalia 8-channel Audio CODEC is fully compatible with Sound Blaster Pro® standards that offers you with the home cinema quality and satisfying software compatibility.

The motherboards offer two PCI-Express 2.0 x16 graphics slot providing 8Gbyte/sec data transfer rate at each relative direction which gets 2 times of bandwidth more than PCI-Express and it's up to a peak concurrent bandwidth of 16Gbyte/sec at full speed to guarantee the ultimate GPU computing performance. Two 32-bit PCI slots guarantee the rich connectivity for the I/O of peripherals. Two PCI Express 2.0 x1 I/O slots offer 1Gbyte/sec concurrently bandwidth; the motherboards are designed of tackling the profuse multimedia requirements nowadays.

Embedded USB controller as well as capability of expanding to 10 of USB2.0 functional ports delivering 480Mb/s bandwidth and rich connectivity, these motherboards meet the future USB demands which are also equipped with hardware monitor function on system to monitor and protect your system and maintain your non-stop business computing.

Some special features---*CPU Thermal Throttling/ CPU Vcore 7-shift/ CPU Smart Fan* /in this motherboard are designed for power user to use the over-clocking function in more flexible ways. But please be caution that the over-clocking maybe cause the fails in system reliabilities. This motherboard provides the guaranteed performance and meets the demands of the next generation computing. But if you insist to gain more system performance with variety possibilities of the components you choose, please be careful and make sure to read the detailed descriptions of these value added product features, please get them in the coming section.

## Special Features of Motherboard

### **CPU Thermal Throttling Technology**---(The CPU Overheat Protection Technology)

To prevent the increasing heat from damage of CPU or accidental shutdown while at high workload, the CPU Thermal Throttling Technology will force CPU to enter partially idle mode from 87.5% to 12.5% according to preset CPU operating temperature in BIOS (from 40 to 90 ). When the system senses the CPU operating temperature reaching the preset value, the CPU operating bandwidth will be decreased to the preset idle percentage to cool down the processor. When at throttling mode the beeper sound can be optionally selected to indicate it is in working. *(For detail operating please read Section 3-11 Bi-turbo Configuration)*

### **CPU Smart Fan**---( The Noise Management System )

It's never been a good idea to gain the performance of your system by sacrificing its acoustics. CPU Smart Fan Noise Management System is the answer to control the noise level needed for now-a-day's high performance computing system. The system will automatically increase the fan speed when CPU operating loading is high, after the CPU is in normal operating condition, the system will low down the fan speed for the silent operating environment. The system can provide the much longer life cycle for both CPU and the system fans for game use and business requirements.

### **CPU Vcore 7-Shift**--- (Shift to Higher Performance)

The CPU voltage can be adjusted up by 31 steps for the precisely over-clocking of extra demanding computing performance.

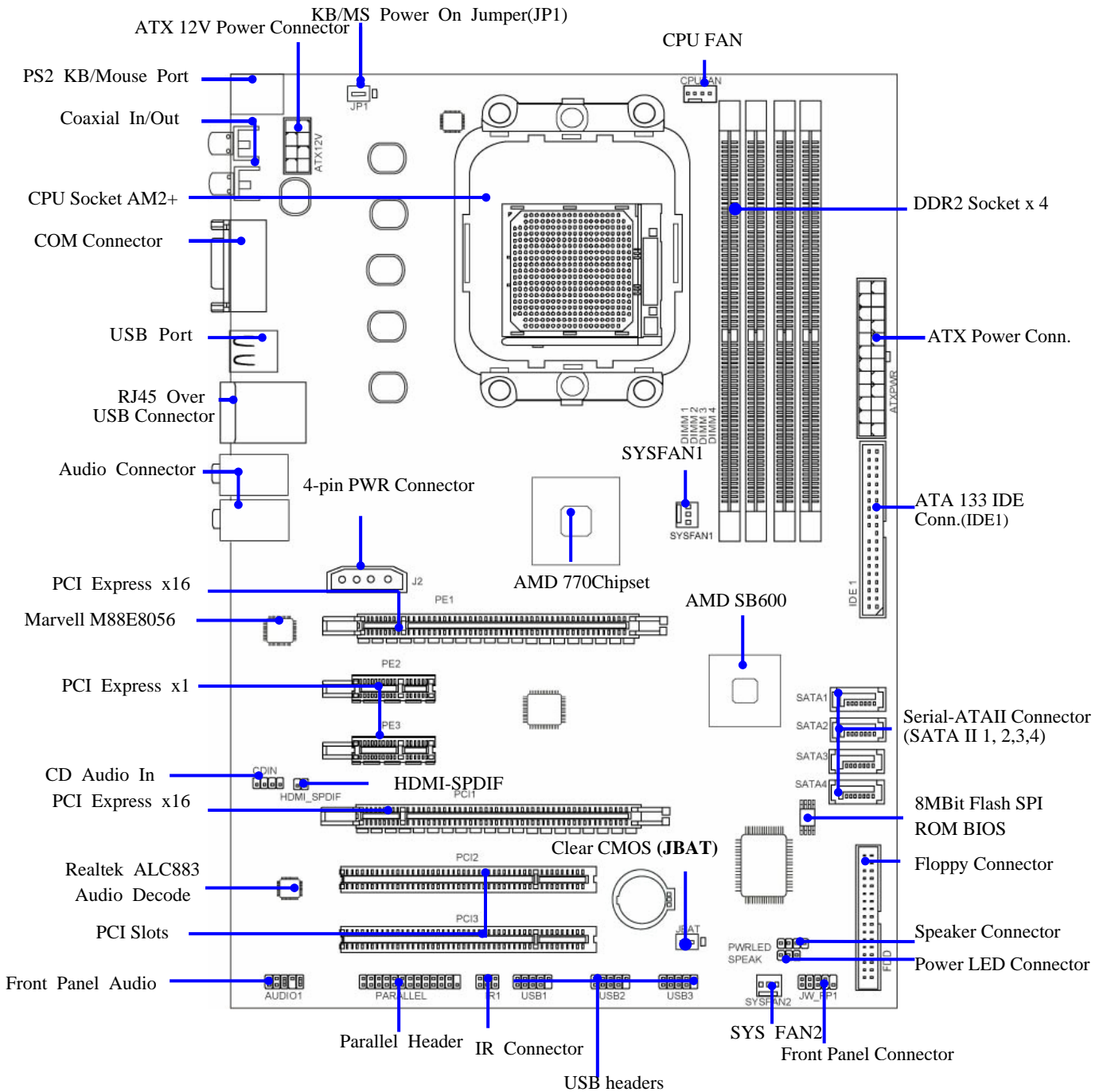
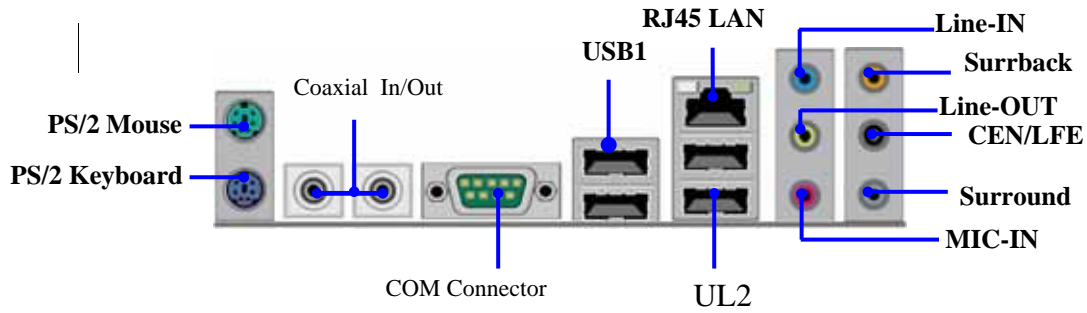
### **OC-CON** --- ( High-polymer Solid Electrolysis Aluminum Capacitors )

The working temperature is from 55 degrees Centigrade below zero to 125 degrees Centigrade, OC-CON capacitors possess superior physical characteristics that can be while reducing the working temperature between 20 degrees Centigrade each time, intact extension 10 times of effective product operation lives, at not rising degrees Centigrade of working temperatures each time a relative one, life of product decline 10% only too.

## Specification

Spec	Description
<b>Design</b>	* ATX form factor 4 layers PCB size: 30.5cm*22.0cm
<b>Chipset</b>	* AMD 770 North Bridge Chipset * AMD SB600 South Bridge Chipset
<b>CPU Socket AM2+</b>	* Support 64bit AMD Athlon64 940-Pin package utilizes Flip-Chip Pin Grid Array package processor * Support for future AMD Athlon64 940-pin Dual -Core Athlon 64x2 processor, Athlon 64 & Sempron Processors and the latest AMD Phenom™ FX, AMD Phenom™ processors with HTT 3.0
<b>Memory Socket</b>	* 240-pin DDRII Module socket x 4 * Support 4pcs DDRII400 / DDRII533 / DDRII667 / DDRII800 / DDRII 1066 Modules Expandable to 8.0GB
<b>Expansion Slot</b>	* PCI-Express x16 slot 2pcs delivers up to 16GB/s of concurrent bandwidth * PCI-Express x1 slot 2pcs delivers up to 1GB/s of concurrent bandwidth * 32-bit PCI slot x 2pcs at 133MHz
<b>Integrate IDE and Serial ATA2 RAID</b>	* One IDE controllers support PCI Bus Mastering, ATA PIO/DMA and the ULTRA DMA 33/66/100/133 functions that deliver the data transfer rate up to 133 MB/s. * Four Serial ATA2 ports provide 300 MB/sec data transfer rate with RAID 0, 1, 0+1 , 10 functions.
<b>LAN</b>	* Integrated Marvell M88E8056 PCI-E gigabit LAN * Support Fast Ethernet LAN function providing 10/100/1000 Mbps data transfer rate
<b>8 CH-Audio</b>	* Realtek ALC883 Azalia 8-channel Audio Codec integrated * Support 8-channel 3D surround & Positioning Audio * Audio driver and utility included
<b>BIOS</b>	* Award 8MB Flash SPI ROM
<b>Multi I/O</b>	* PS/2 keyboard and PS/2 mouse connectors * Floppy disk drive connector x1 * Parallel port header x1 * Serial port header x1 * 1 * SPDIF 4-pin Block * SPDIF In/Out Connector * IR connector with 5-pin block x1 * USB2.0 port x 4 and headers x 3 * Audio connector (Line-in, Line-out, MIC/ 8CH Audio)

# Layout Diagram & Jumper Setting



## Jumpers

Jumper	Name	Description	Page
JBAT	CMOS RAM Clear	3-pin Block	P.7
JP1	Keyboard/USB Power On Enabled/Disabled	3-pin Block	P.8

## Connectors

Connector	Name	Description	Page
ATXPWR	ATX Power Connector	24-pin Block	P.13
ATX12V	ATX 12V Power Connector	8-pin Block	P.13
PS2 KB/MS	PS/2 Mouse & PS/2 Keyboard Connector	6-pin Female	P.14
UL1for USB	USB2.0 Port Connector	4-pin Connector	P.14
<b>UL1 for LAN</b>	LAN Port Connector	RJ-45 Connector	P.14
CN1 for USB	USB2.0 Port Connector	4-pin Connector	P.14
CN2,CN3for Audio Connector	8-CH HD Audio Connector	6-pin	P.14
SPDIF-In SPDIF-Out	Coaxial In/Out Connector	1 pin	P.18
FDD	Floppy Driver Connector	34-pin Block	P.15
IDE1	Primary IDE Connector	40-pin Block	P.15
SATA1~4	Serial ATAII IDE Connector	7-pin Connector	P.15

## Headers

Header	Name	Description	Page
AUDIO	SPEAKER, MIC header	9-pin Block	P.16
USB1, USB2,USB3	USB Port Headers	9-pin Block	P.16
SPEAK	PC Speaker connector	4-pin Block	P.16
PWR LED	Power LED	3-pin Block	P.16
JW_FP (Reset/IDE LED/Power Button)	Front Panel Header (including IDE activity LED/Reset switch / Power On Button lead)	9-pin Block	P.16
SYSFAN1, SYSFAN2,	FAN Headers	3-pin Block	P.17
CPUFAN	FAN Header	4-pin Block	P.17
CDIN	CD Audio-In Header	4-pin Block	P.17
IR	IR infrared module Headers	5-pin Block	P.18
PARALLEL	Parallel Port Header	25-pin Block	P.18
COM1	Serial Port COM1 Header	9-pin Block	P.18
SPDIF	SPDIF In/Out header	9-pin Block	P.18

## Expansion Sockets

Socket/Slot	Name	Description	Page
ZIF Socket AM2+	CPU Socket	940-pin mPGAB Athlon64 CPU Socket	P.9
DIMM1~4	DDRII Module Socket	240-pin DDRII Module Socket	P.10
PCI1~ PCI4	PCI Slots	32-bit PCI Local Bus Expansion slots	P.12
PE1,PE4	PCI-Express2.0 x16 Slot	PCI-Express2.0 x16 Expansion Slot	P.12
PE2,PE2	PCI-Express2.0 x1 Slot	PCI-Express2.0 x1 Expansion Slot	P.12

# Hardware Installation

## Hardware installation Steps

Before using your computer, you had better complete the following steps:

1. Check motherboard jumper setting
2. Install CPU and Fan
3. Install System Memory (DIMM)
4. Install Expansion cards
5. Connect IDE and Front Panel /Back Panel cable
6. Connect ATX Power cable
7. Power-On and Load Standard Default
8. Reboot
9. Install Operating System
10. Install Driver and Utility

## Checking Motherboard's Jumper Setting

### (1) CMOS RAM Clear (3-pin) : JBAT

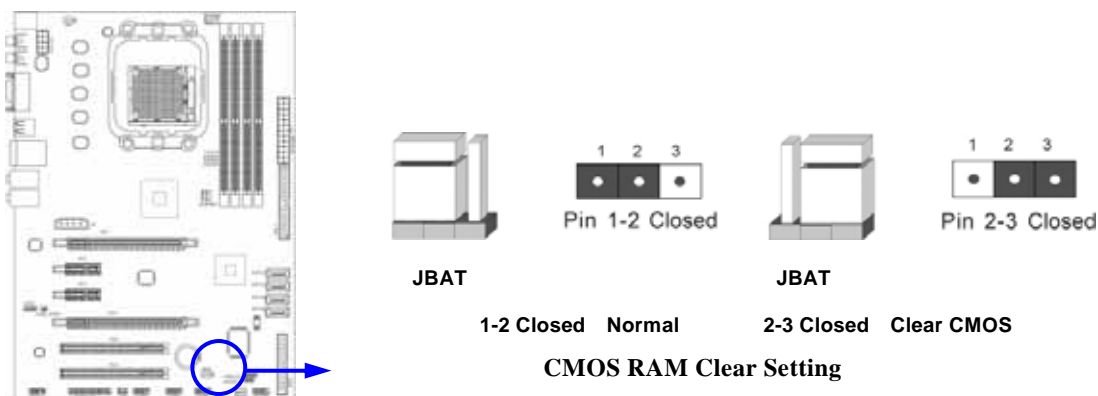
A battery must be used to retain the motherboard configuration in CMOS RAM short 1-2 pins of JBAT to store the CMOS data.

To clear the CMOS, follow the procedure below:

1. Turn off the system and unplug the AC power
2. Remove ATX power cable from ATX power connector
3. Locate JBAT and short pins 2-3 for a few seconds
4. Return JBAT to its normal setting by shorting pins 1-2
5. Connect ATX power cable back to ATX power connector

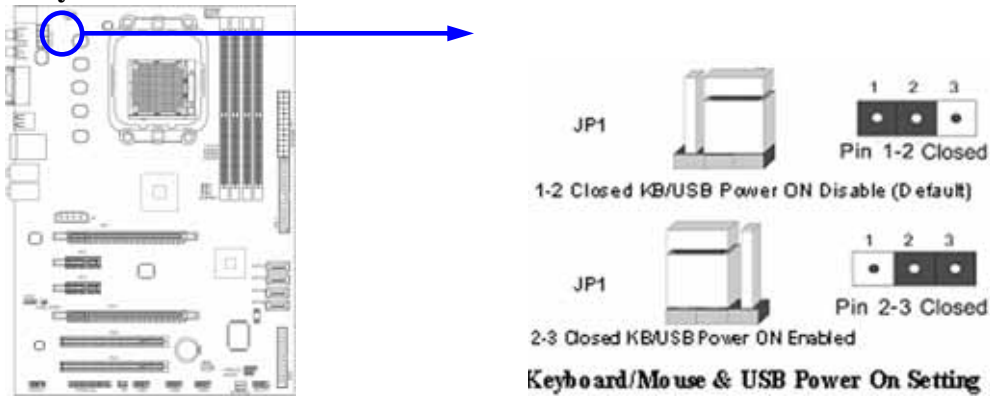
**Note: When should clear CMOS**

1. **Troubleshooting**
2. **Forget password**
3. **After over clocking system boot fail**





(2) **Keyboard function Enabled/Disabled: JP1**



## Install CPU

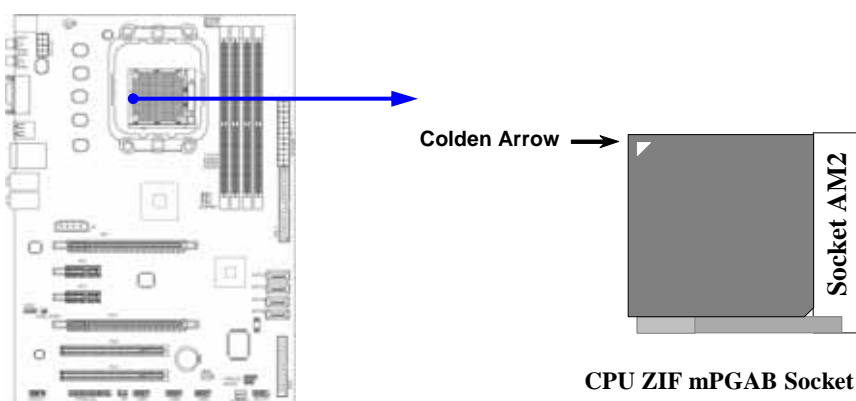
### About AMD Athlon64 Socket AM2 CPU

This motherboard provides a 940-pin surface mount, Zero Insertion Force (ZIF) socket, referred to as the mPGA940 socket supports AMD Athlon64 processor in the 940 Pin package utilizes Flip-Chip Pin Grid Array package technology.

The CPU that comes with the motherboard should have a cooling FAN attached to prevent overheating. If this is not the case, then purchase a correct cooling FAN before you turn on your system.

**WARNING!** Be sure that there is sufficient air circulation across the processor's heatsink and CPU cooling FAN is working correctly, otherwise it may cause the processor and motherboard overheat and damage, you may install an auxiliary cooling FAN, if necessary.

To install a CPU, first turn off your system and remove its cover. Locate the ZIF socket and open it by first pulling the level sideways away from the socket then upward to a 90-degree angle. Insert the CPU with the correct orientation as shown below. The notched corner should point toward the end of the level. Because the CPU has a corner pin for two of the four corners, the CPU will only fit in the orientation as shown.



When you put the CPU into the ZIF socket, No force require to insert of the CPU, then press the level to Locate position slightly without any extra force.

## Install Memory

This motherboard provides four 240-pin DDR2 DUAL INLINE MEMORY MODULES (DIMM) sockets for DDR2 memory expansion available from minimum memory volume of 128MB to maximum memory volume of 4.0GB DDR SDRAM.

### Valid Memory Configurations

Bank	240-Pin DIMM	PCS	Total Memory
Bank 0, 1 (DIMM1)	DDR2 533/DDR2 667/DDR2 800	X1	128MB~2.0GB
Bank 2, 3 (DIMM2)	DDR2 533/DDR2 667/DDR2 800	X1	128MB~2.0GB
Bank 4, 5 (DIMM3)	DDR2 533/DDR2 667/DDR2 800	X1	128MB~2.0GB
Bank 6,7 (DIMM4)	DDR2 533/DDR2 667/DDR2 800	X1	128MB~2.0GB
Total	System Memory (Max 8.0GB)	4	128MB~8.0GB

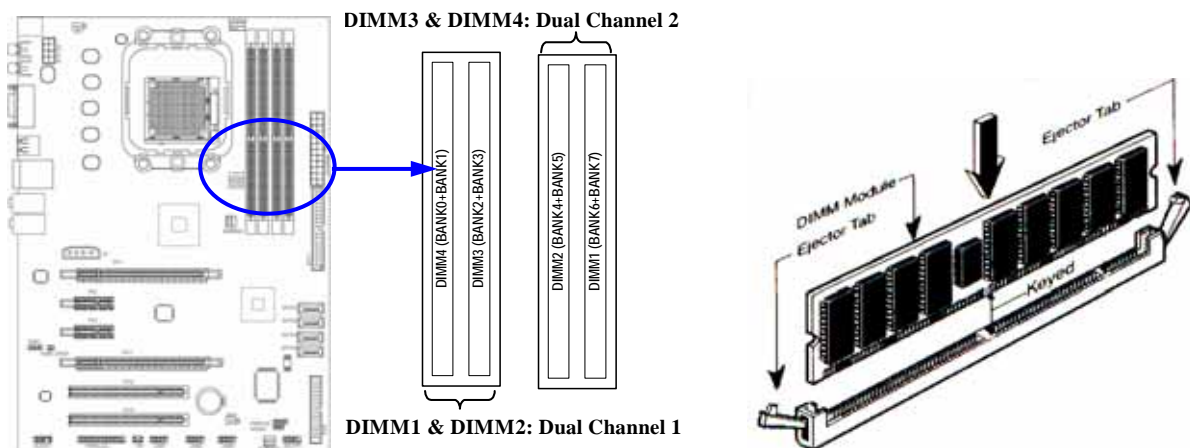
### Recommend DIMM Module Combination

1. **One DIMM Module ---Plug in DIMM1**
2. **Two DIMM Modules---Plug in DIMM1 and DIMM2 for Dual channel function**
3. **Four DIMM Modules---Plug in DIMM1/DIMM2/DIMM3/DIMM4.**

### For Dual channel Limited!

4. Dual channel function only supports when 2 DIMM Modules plug in either both DIMM1 & DIMM2 or DIMM3 & DIMM4, or four DIMM Modules plug in DIMM1~DIMM4.
5. DIMM1 & DIMM2, or DIMM3 & DIMM4 must be the same type, same size, same frequency for dual channel function.

Install DDR SDRAM modules to your motherboard is not difficult, you can refer to figure below to see how to install a 240-Pin DDR2 533/DDR2 667/DDR2 800/ SDRAM module.



#### NOTE!

When you install DIMM module fully into the DIMM socket the eject tab should be locked into the DIMM module very firmly and fit into its indentation on both sides.

#### WARNING!

For the DDR SDRAM CLOCK is set at 400MHz, use only DDR2 800- compliant DDR2 Modules. When this motherboard operate at 400Mhz, most system will not even boot if non-compliant modules are used because of the strict timing issues, if your DDR Modules are not DDR2 800-compliant, set the SDRAM clock to 200MHz to ensure system stability.

## Expansion Cards

**WARNING!** Turn off your power when adding or removing expansion cards or other system components. Failure to do so may cause severe damage to both your motherboard and expansion cards.

### Procedure For Expansion Card Installation

1. Read the documentation for your expansion card and make any necessary hardware or software setting for your expansion card such as jumpers.
2. Remove your computer's cover and the bracket plate on the slot you intend to use.
3. Align the card's connectors and press firmly.
4. Secure the card on the slot with the screen you remove above.
5. Replace the computer system's cover.
6. Set up the BIOS if necessary.
7. Install the necessary software driver for your expansion card.

### Assigning IRQs For Expansion Card

Some expansion cards need an IRQ to operate. Generally, an IRQ must exclusively assign to one use. In a standard design, there are 16 IRQs available but most of them are already in use.

### Standard Interrupt Assignments

IRQ	Priority	Standard function
0	N/A	System Timer
1	N/A	Keyboard Controller
2	N/A	Programmable Interrupt
3 *	8	Communications Port (COM2)
4 *	9	Communications Port (COM1)
5 *	6	Sound Card (sometimes LPT2)
6 *	11	Floppy Disk Controller
7 *	7	Printer Port (LPT1)
8	N/A	System CMOS/Real Time Clock
9 *	10	ACPI Mode when enabled
10 *	3	IRQ Holder for PCI Steering
11 *	2	IRQ Holder for PCI Steering
12 *	4	PS/2 Compatible Mouse Port
13	N/A	Numeric Data Processor
14 *	5	Primary IDE Channel
15 *	1	Secondary IDE Channel

\* These IRQs are usually available for ISA or PCI devices.

### Interrupt Request Table For This Motherboard

Interrupt request are shared as shown the table below:

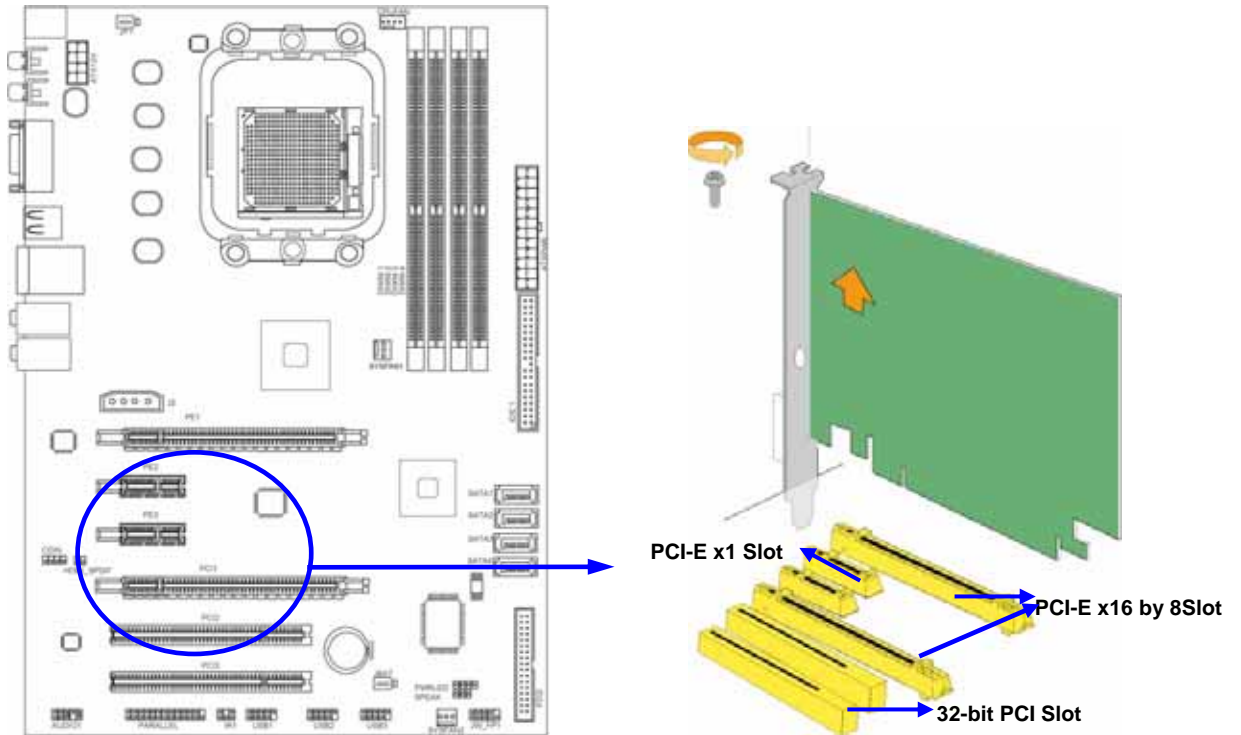
	INT A	INT B	INT C	INT D	INT E	INT F	INT G	INT H
Slot 1		√						
Slot 2			√					
Onboard USB 2		√						
Onboard USB 3			√					
HD Audio/MC97			√					

**IMPORTANT!**

If using PCI cards on shared slots, make sure that the drivers support “Shared IRQ” or that the cards don’t need IRQ assignments. Conflicts will arise between the two PCI groups that will make the system unstable or cards inoperable.

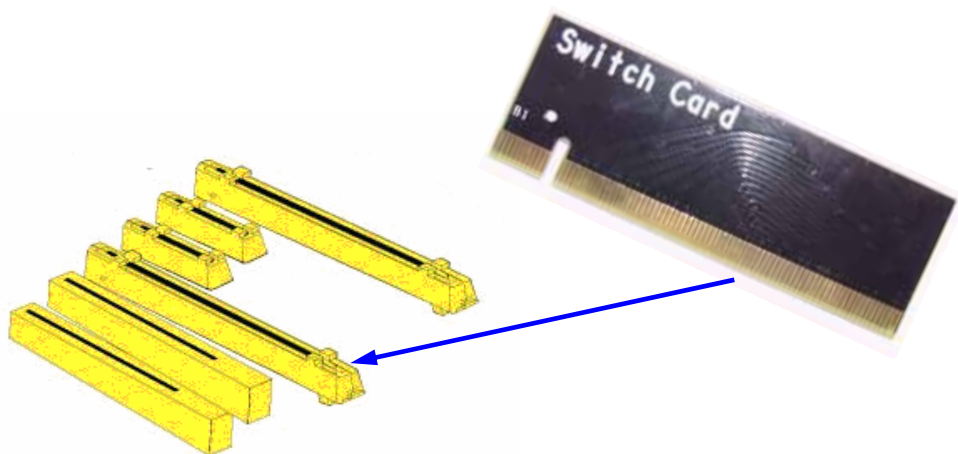
### PCI Express Slot

Two PCI-Express2.0 x16 graphics slot offers 8Gbyte/sec data transfer rate at each relative direction. and two PCI-Express 2.0 x1 PCI Express Slot. Support PCI Express VGA card, and other PCI Express device.



### PCI Express Switch Card

Install PCI-E Switch Card to PCI-Express2.0 x16 graphics slot can double PCI-E X16 VGA card installed transfer rate up to 16 lane; 16Gbyte/sec



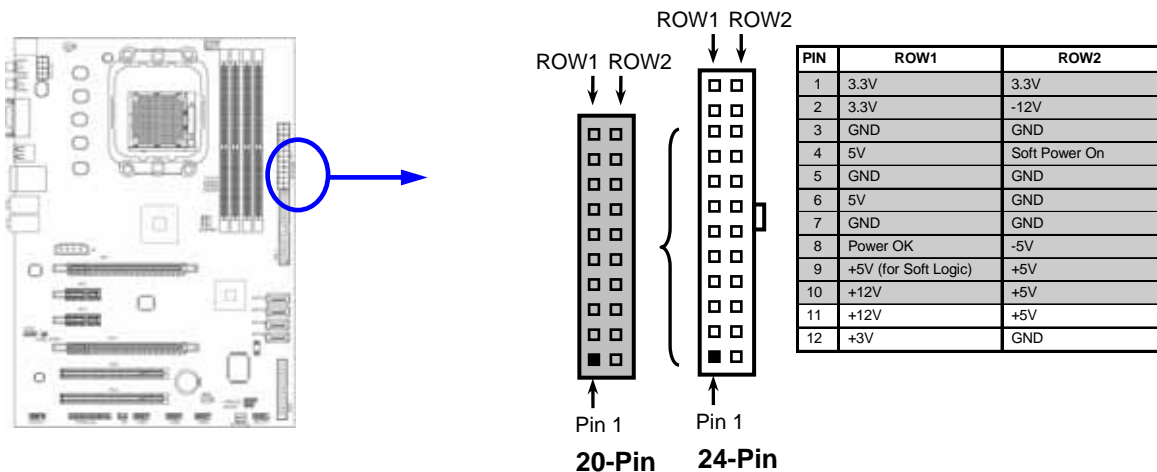
# Connectors, Headers & Jumper Setting

## Connectors

### (1) Power Connector (24-pin block) : ATXPWR

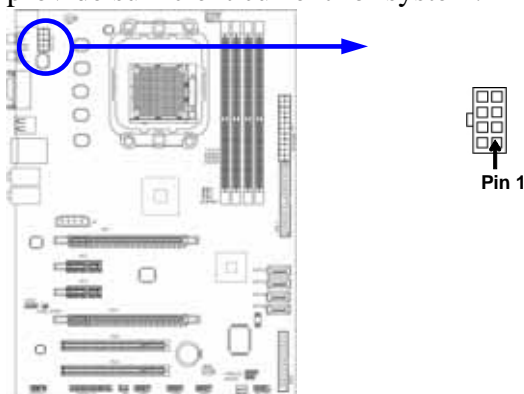
ATX Power Supply connector. This is a new defined 24-pins connector that usually comes with ATX case. The ATX Power Supply allows to use soft power on momentary switch that connect from the front panel switch to 2-pins Power On jumper pole on the motherboard. When the power switch on the back of the ATX power supply turned on, the full power will not come into the system board until the front panel switch is momentarily pressed. Press this switch again will turn off the power to the system board.

- \*\* We recommend that you use an ATX 12V Specification 2.0-compliant power supply unit (PSU) with a minimum of 350W power rating. This type has 24-pin and 4-pin power plugs.
- \*\* If you intend to use a PSU with 20-pin and 4-pin power plugs, make sure that the 20-pin power plug can provide at least 15A on +12V and the power supply unit has a minimum power rating of 350W. The system may become unstable or may not boot up if the power is inadequate.



### (2) ATX 12V Power Connector (8-pin block) : ATX12V

This is a new defined 8-pins connector that usually comes with ATX Power Supply. The ATX Power Supply which fully support Pentium 4 processor must including this connector for support extra 12V voltage to maintain system power consumption. Without this connector might cause system unstable because the power supply can not provide sufficient current for system.



**(3) PS/2 Mouse & PS/2 Keyboard Connector: KB**

The connectors are for PS/2 keyboard and PS/2 Mouse.

**(4) USB Port connector: USB4**

The connectors are 4-pin connectors that connect USB devices to the system board.

**(5) LAN Port connector: UL1**

This connector is standard RJ45 connector for Network  
The USBLAN1 support 10M/100Mb/1000Mb s data transfer rate

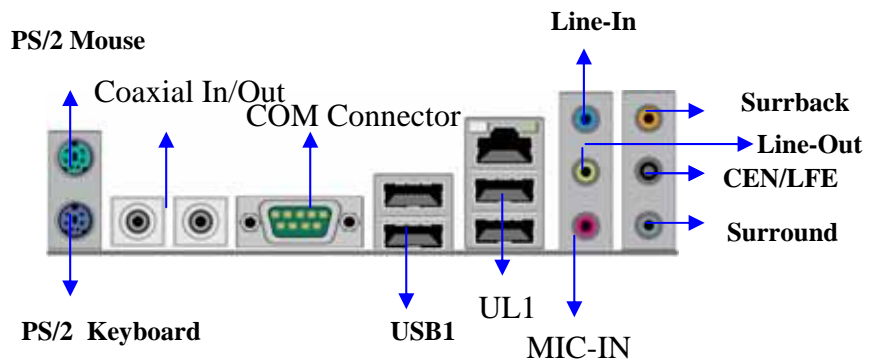
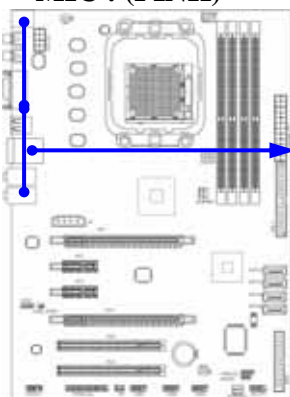
**(6) Audio Line-In, Lin-Out, MIC Connector : CN2,CN3**

This Connector are 3 phone Jack for LINE-OUT, LINE-IN, MIC

**Line-in : (BLUE)** Audio input to sound chip

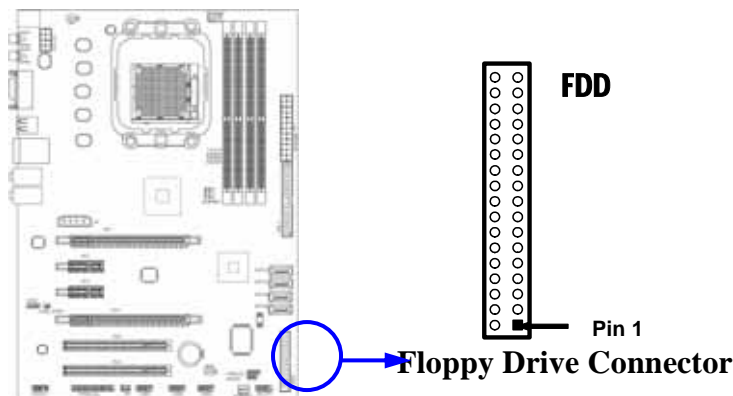
**Line-out : (GREEN)** Audio output to speaker

**MIC : (PINK)** Microphone Connector



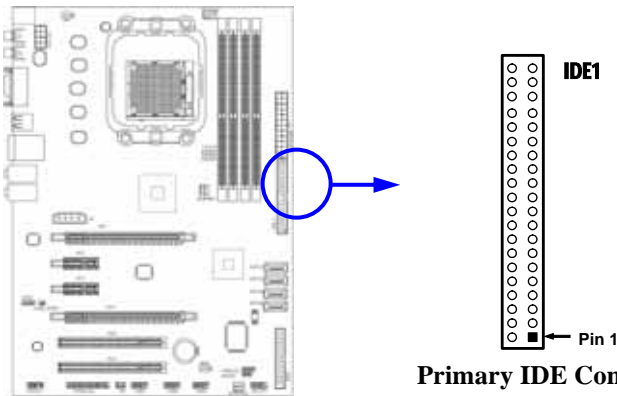
**(7) Floppy drive Connector (34-pin block): FDD**

This connector supports the provided floppy drive ribbon cable. After connecting the single plug end to motherboard, connect the two plugs at other end to the floppy drives.



**(8) Primary IDE Connector (40-pin block): IDE1**

This connector supports the provided IDE hard disk ribbon cable. After connecting the single plug end to motherboard, connect the two plugs at other end to your hard disk(s). If you install two hard disks, you must configure the second drive to Slave mode by setting its jumpers accordingly. Please refer to the documentation of your hard disk for the jumper settings.

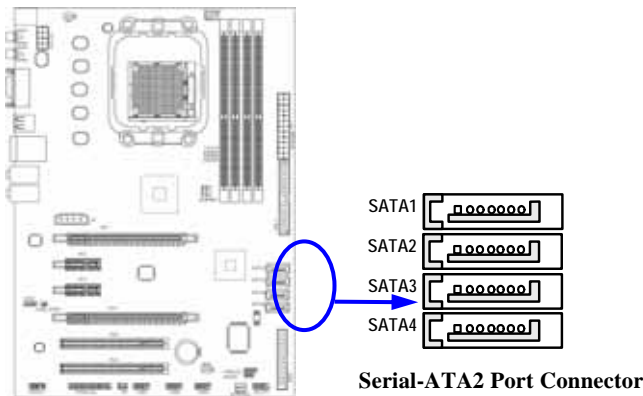


**Primary IDE Connector**

- Two hard disks can be connected to each connector. The first HDD is referred to as the “Master” and the second HDD is referred to as the “Slave”.
- For performance issues, we strongly suggest you don’t install a CD-ROM or DVD-ROM drive on the same IDE channel as a hard disk. Otherwise, the system performance on this channel may drop.

**(9) Serial-ATAII Port connector: SATAII1 / SATAII2/ SATAII3/ SATAII4**

This connector supports the provided Serial ATA2 IDE hard disk cable to connecting the motherboard and serial ATAII hard disk.

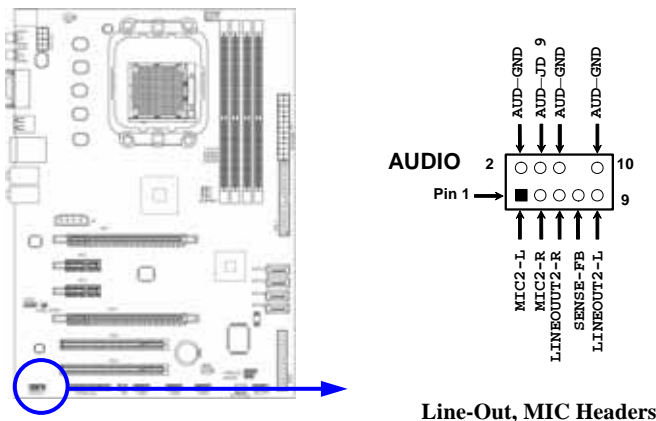


**Serial-ATA2 Port Connector**

## Headers

**(1) Line-Out/MIC Header for Front Panel (9-pin): AUDIO**

This header connect to Front Panel Line-out, MIC connector with cable.

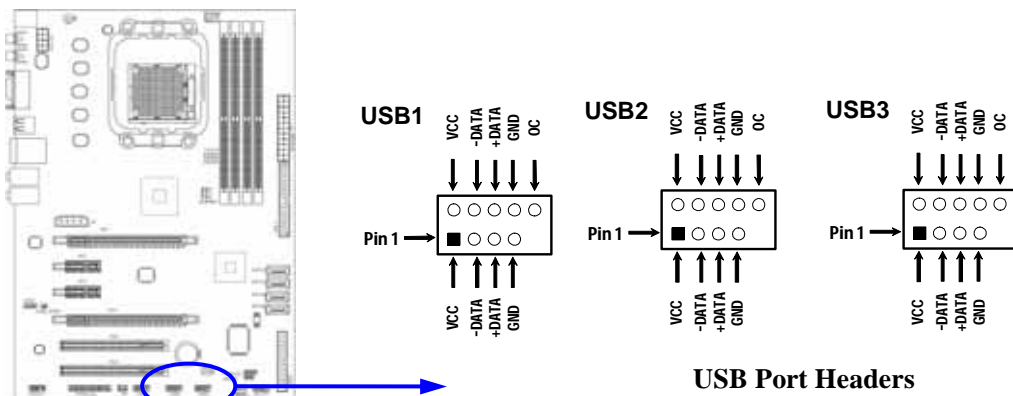


**Line-Out, MIC Headers**

**(2)USB Port Headers (9-pin) : USB1/USB2/USB3**



These headers are used for connecting the additional USB port plug. By attaching an option USB cable, your can be provided with two additional USB plugs affixed to the back panel.



USB Port Headers

**(3) Speaker connector: SPEAK**

This 4-pin connector connects to the case-mounted speaker. See the figure below.

**(4) Power LED: PWR LED**

The Power LED is light on while the system power is on. Connect the Power LED from the system case to this pin.

**(5) IDE Activity LED: HD LED**

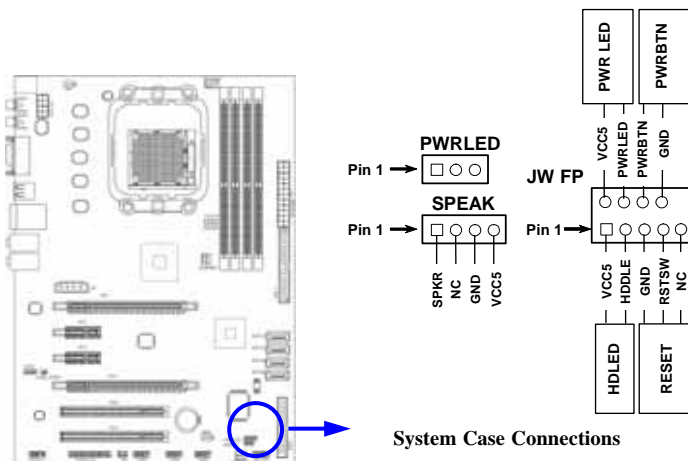
This connector connects to the hard disk activity indicator light on the case.

**(6) Reset switch lead: RESET**

This 2-pin connector connects to the case-mounted reset switch for rebooting your computer without having to turn off your power switch. This is a preferred method of rebooting in order to prolong the life of the system's power supply. See the figure below.

**(7) Power switch: PWR BTN**

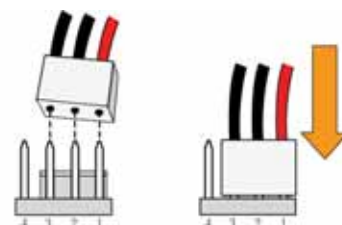
This 2-pin connector connects to the case-mounted power switch to power ON/OFF the system.



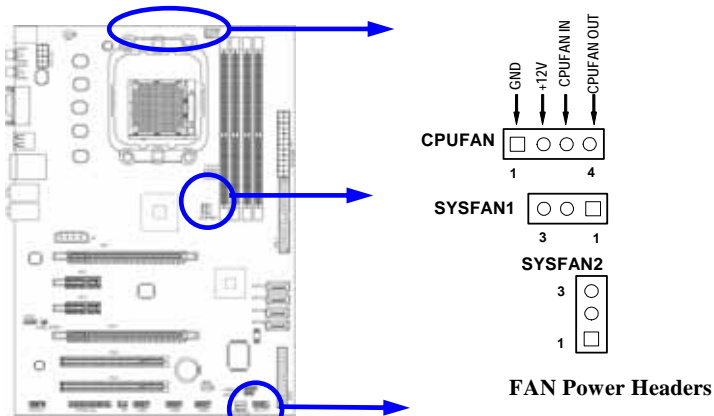
System Case Connections

**(8) FAN Power Headers: SYSFAN1, SYSFAN2, CPUFAN (4-pin)**

These connectors support cooling fans of 350mA (4.2 Watts) or less, depending on the fan manufacturer, the wire and plug may be different. The red wire should be positive, while the black should be ground. Connect the fan's plug to the board taking into consideration the polarity of connector.

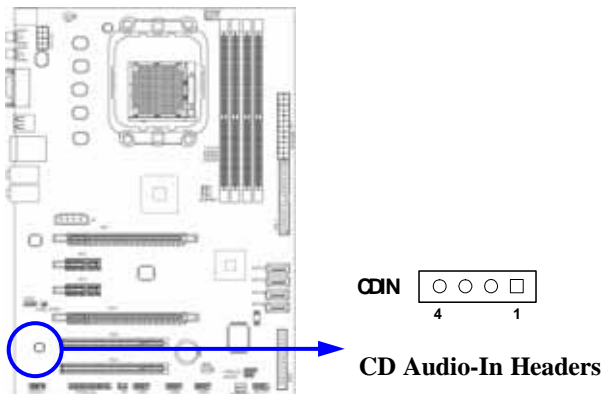






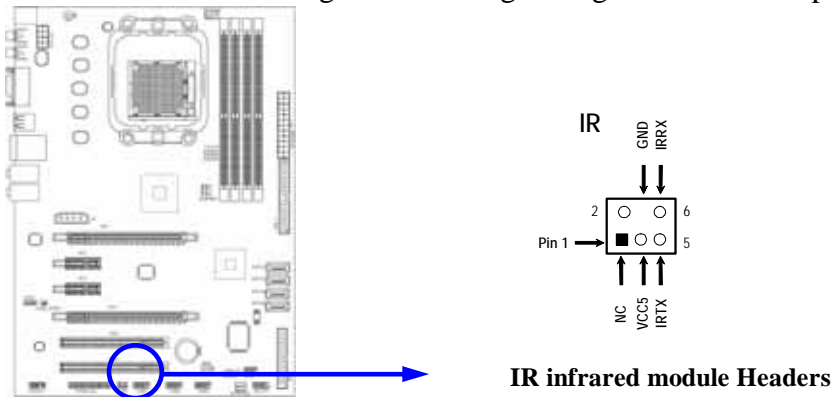
**(9) CD Audio-In Headers (4-pin) : CDIN**

CDIN are the connectors for CD-Audio Input signal. Please connect it to CD-ROM CD-Audio output connector.



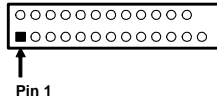
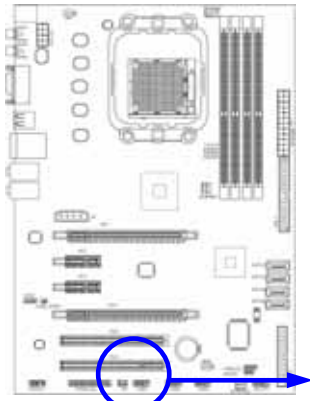
**(10) IR infrared module Headers (5-pin) : IR**

This connector supports the optional wireless transmitting and receiving infrared module. You must configure the setting through the BIOS setup to use the IR function.



**(11) Parallel Port Connector (25-pin female): PARALLEL**

The On-board Parallel Port can be disabled through the BIOS SETUP. Please refer to Chapter 3 “INTEGRATED PERIPHERALS SETUP” section for more detail information.



**PARALLEL Header**

**(13) HDMI-SPDIF**

The SPDIF output is capable of providing digital audio to external speakers or compressed AC3 data to an external Dolby digital decoder. Use this feature only when your stereo system has digital input function. Use SPDIF IN feature only when your device has digital output function.

# Starting Up Your Computer

1. After all connection are made, close your computer case cover.
2. Be sure all the switch are off, and check that the power supply input voltage is set to proper position, usually in-put voltage is 220V~240V or 110V~120V depending on your country's voltage used.
3. Connect the power supply cord into the power supply located on the back of your system case according to your system user's manual.
4. Turn on your peripheral as following order:
  - a. Your monitor.
  - b. Other external peripheral (Printer, Scanner, External Modem etc...)
  - c. Your system power. For ATX power supplies, you need to turn on the power supply and press the ATX power switch on the front side of the case.
5. The power LED on the front panel of the system case will light. The LED on the monitor may light up or switch between orange and green after the system is on. If it complies with green standards or if it is has a power standby feature. The system will then run power-on test. While the test are running, the BIOS will alarm beeps or additional message will appear on the screen.

If you do not see any thing within 30 seconds from the time you turn on the power. The system may have failed on power-on test. Recheck your jumper settings and connections or call your retailer for assistance.

Beep	Meaning
One short beep when displaying logo	No error during POST
Long beeps in an endless loop	No DRAM install or detected
One long beep followed by three short beeps	Video card not found or video card memory bad
High frequency beeps when system is working	CPU overheated System running at a lower frequency

6. During power-on, press <Delete> key to enter BIOS setup. Follow the instructions in BIOS SETUP.
7. **Power off your computer:** You must first exit or shut down your operating system before switch off the power switch. For ATX power supply, you can press ATX power switching after exiting or shutting down your operating system. If you use Windows 9X, click **“Start”** button, click **“Shut down”** and then click **“Shut down the computer?”** The power supply should turn off after windows shut down.

# Useful Setup

## BIOS Setup

The BIOS is a program located on a Flash Memory on the motherboard. This program is a bridge between motherboard and operating system. When you start the computer, the BIOS program gain control. The BIOS first operates an auto-diagnostic test called POST (power on self test) for all the necessary hardware, it detects the entire hardware device and configures the parameters of the hardware synchronization. Only when these tasks are completed done it gives up control of the computer to operating system (OS). Since the BIOS is the only channel for hardware and software to communicate, it is the key factor for system stability, and in ensuring that your system performance as its best.

In the BIOS Setup main menu of Figure 3-1, you can see several options. We will explain these options step by step in the following pages of this chapter, but let us first see a short description of the function keys you may use here:

- Press <Esc> to quit the BIOS Setup.
- Press ↑↓←→ (up, down, left, right) to choose, in the main menu, the option you want to confirm or to modify.
- Press <F10> when you have completed the setup of BIOS parameters to save these parameters and to exit the BIOS Setup menu.
- Press Page Up/Page Down or +/- keys when you want to modify the BIOS parameters for the active option.

## Entering Setup

Power on the computer and by pressing <Del> immediately allows you to enter Setup. If the message disappears before your respond and you still wish to enter Setup, restart the system to try again by turning it OFF then ON or pressing the “RESET” button on the system case. You may also restart by simultaneously pressing <Ctrl>, <Alt> and <Delete> keys. If you do not press the keys at the correct time and the system does not boot, an error message will be displayed and you will again be asked to

**Press <F1> to continue, <Ctrl-Alt-Esc> or <Del> to enter Setup**

## Getting Help

### Main Menu

The on-line description of the highlighted setup function is displayed at the bottom of the screen.

### Status Page Setup Menu/Option Page Setup Menu

Press F1 to pop up a small help window that describes the appropriate keys to use and the possible selections for the highlighted item. To exit the Help Window, press <Esc>.

## The Main Menu

Once you enter Award® BIOS CMOS Setup Utility, the Main Menu (Figure 3-1) will appear on the screen. The Main Menu allows you to select from fourteen setup functions and two exit choices. Use arrow keys to select among the items and press <Enter> to accept or enter the sub-menu.

Phoenix - AwardBIOS CMOS Setup Utility

<b>Standard CMOS Features</b>	Power User Overclock settings
Advanced BIOS Features	CPU Thermal Throttling Setup
Advanced Chipset Features	Password Settings
Integrated Peripherals	Load Fail-Safe Defaults
Power Management Setup	Load Optimized Defaults
Miscellaneous control	Save & Exit Setup
PC Health Status	Exit Without Saving
Esc : Quit    F9 : Menu in BIOS    ↑↓→← : Select Item	
F10 : Save & Exit Setup	

### Standard CMOS Features

Use this Menu for basic system configurations.

### Advanced BIOS Features

Use this menu to set the Advanced Features available on your system.

### Advanced Chipset Features

Use this menu to change the values in the chipset registers and optimize your system's performance.

### Integrated Peripherals

Use this menu to specify your settings for integrated peripherals.

### Power Management Setup

Use this menu to specify your settings for power management.

### PC Health Status

This entry shows your PC health status.

### CPU Thermal Throttling Setting

The selection is set for activating the active CPU Thermal Protection by flexible CPU loading adjustment in the arrange of temperature you define.

### Load Fail-Safe Defaults

This menu uses a minimal performance setting, but the system would run in a stable way.

### Load Optimized Defaults

Use this menu to load the BIOS default values these are setting for optimal performances system operations for performance use.

## Password Setting

This entry for setting Supervisor password and User password

## Save & Exit Setup

Save CMOS value changes to CMOS and exit setup.

## Exit Without Saving

Abandon all CMOS value changes and exit setup.

## Standard CMOS Features

The items in Standard CMOS Setup Menu are divided into several categories. Each category includes no, one or more than one setup items. Use the arrow keys to highlight the item and then use the <PgUp> or <PgDn> keys to select the value you want in each item.

Phoenix - AwardBIOS CMOS Setup Utility		
Standard CMOS Features		
		Item Help
Date (mm.dd.yy)	00* 00 * 00	
Time (hh:mm:ss)	16 : 48 : 35	
> IDE Channel 0 Master	None	Menu Level >
> IDE Channel 0 Slave	None	
SATA Channel 1	None	Change the day, month, year and century
SATA Channel 2	None	
SATA Channel 3	None	
SATA Channel 4	None	
Drive A	1.44M, 3.5 in.	
Halt On	All Errors	
Base Memory	640K	
Extended Memory	1047552K	
Total Memory	1048476K	
↑↓←→ Move Enter:Select +/-/PU/PD:Value F10:Save ESC:Exit F1:General Help F5:Previous Values F6:Fail-safe Defaults F7:Optimized Defaults		

### Date

The date format is <day><month><date><year>.

**Day** Day of the week, from Sun to Sat, determined by BIOS. Read-only.

**Month** The month from Jan. through Dec.

**Date** The date from 1 to 31 can be keyed by numeric function keys.

**Year** The year depends on the year of the BIOS.

### Time

The time format is <hour><minute><second>.

### IDE Channel 0 Master / Channel 0 Slave

#### SATA Channel 1, 2, 3, 4

Press PgUp/<+> or PgDn/<-> to select Manual, None, Auto type. Note that the specifications of your drive must match with the drive table. The hard disk will not work properly if you enter improper information for this category. If the type of hard disk drives is not matched or listed, you can use Manual to define your own drive type manually.

If you select Manual, related information is asked to be entered to the following items. Enter the information directly from the keyboard. This information should be provided in the documentation from your hard disk vendor or the system manufacturer.

If the controller of HDD interface is SCSI, the selection shall be “None”.

If the controller of HDD interface is CD-ROM, the selection shall be “None”

**Access Mode** The settings are Auto Normal, Large, and LBA.

**Cylinder** number of cylinders

**Head** number of heads

**Precomp** write precomp

**Landing Zone** landing zone

**Sector** number of sectors

## Advanced BIOS Features

### Phoenix - AwardBIOS CMOS Setup Utility

#### Advanced BIOS Features

CPU Feature	Press Enter	Item Help
Hard Disk Boot Priority	Press Enter	
Virus Warning	Disabled	Menu Level >
CPU Internal Cache	Enabled	
External Cache	Enabled	
Quick Power On Self Test	Enabled	
First Boot Device	Hard Disk	
Second Boot Device	CD-ROM	
Third Boot Device	Floppy	
Boot other Device	Enabled	
Boot Up Floppy Seek	Disable	
Boot Up NumLock Status	On	
Gate A20 option	[fast]	
Typematic Rate Setting	Disabled	
* Typematic Rate (Chars/Sec)	6	
*Typematic Delay (Msec)	250	
Security Option	Setup	
APIC Mode	Enabled	
MPS Version Control For OS	1.4	
OS Select For DRAM > 64MB	Non-OS2	
HDD S.M.A.R.T. Capability	Disabled	
Small Logo (EPA ) Show	Enabled	
↑↓←→ Move Enter:Select +/-/PU/PD:Value F10:Save ESC:Exit F1:General Help F5:Previous Values F6:Fail-safe Defaults F7:Optimized Defaults		

### Hard Disk Boot Priority

The selection is for you to choose the hard disk drives priorities to boot from.

### Virus Warning

Allows you to choose the VIRUS Warning feature for IDE Hard Disk boot sector protection. If this function is enabled and someone attempt to write data into this area, BIOS will show a warning message on screen and alarm beep.

**Disabled** (default) No warning message to appear when anything attempts to access the boot sector or hard disk partition table.

**Enabled** Activates automatically when the system boots up causing a warning message to appear when anything attempts to access the boot sector of hard disk partition table.

### CPU Internal Cache

The default value is Enabled.

**Enabled** (default) Enable cache

**Disabled** Disable cache

*Note: The internal cache is built in the processor.*

### **External Cache**

Choose Enabled or Disabled. This option enables the Level 2 cache memory.

### **Quick Power On Self-Test**

This category speeds up Power On Self Test (POST) after you power on the computer. If this is set to Enabled, BIOS will shorten or skip some check items during POST.

**Enabled** (default) Enable quick POST

**Disabled** Normal POST

### **First/Second/Third/Fourth Boot Device**

The BIOS attempts to load the operating system from the devices in the sequence selected in these items. The settings are Floppy, LS/ZIP, HDD-0/HDD-1/HDD-3, SCSI, CDROM, LAD and Disabled.

### **Boot Up Floppy Seek**

During POST, BIOS will determine if the floppy disk drive installed is 40 or 80 tracks. 360K type is 40 tracks while 760K, 1.2M and 1.44M are all 80 tracks.

### **Boot Up NumLock Status**

The default value is On.

**On** (default) Keypad is numeric keys.

**Off** Keypad is arrow keys.

### **Gate A20 Option**

**Normal** The A20 signal is controlled by keyboard controller or chipset hardware.

**Fast** (default) The A20 signal is controlled by port 92 or chipset specific method.

### **Typematic Rate Setting**

Keystrokes repeat at a rate determined by the keyboard controller. When enabled, the typematic rate and typematic delay can be selected. The settings are: Enabled/Disabled.

### **Typematic Rate (Chars/Sec)**

Sets the number of times a second to repeat a keystroke when you hold the key down. The settings are: 6, 8, 10, 12, 15, 20, 24, and 30.

### **Typematic Delay (Msec)**

Sets the delay time after the key is held down before it begins to repeat the keystroke. The settings are 250, 500, 750, and 1000.

### **Security Option**

This category allows you to limit access to the system and Setup, or just to Setup.

**System** The system will not boot and access to Setup will be denied if the correct password is not entered at the prompt.

**Setup** (default) The system will boot, but access to Setup will be denied if the correct password is not entered prompt.

### **ACPI Mode**

This option allow you to enable the ACPI Mode (Advanced Configuration and Power Interface). You can choose from Enabled and Disabled.

### **HDD S.M.A.R.T Capability**

This option allow you to enable the HDD S.M.A.R.T Capability (Self-Monitoring, Analysis and Reporting Technology). You can choose from Enabled and Disabled.



## MPS Version Control For OS 1.4

This option is only valid for multiprocessor motherboards as it specifies the version of the Multiprocessor Specification (MPS) that the motherboard will use.

## OS Select For DRAM > 64MB

Allows OS2® to be used with >64MB or DRAM. Settings are Non-OS/2 (default) and OS2. Set to OS/2 if using more than 64MB and running OS/2®.

## Small Logo (EPA) Show

The selection is for you to choose the EPA small logo to show or not.

## Advanced Chipset Features

The Advanced Chipset Features Setup option is used to change the values of the chipset registers. These registers control most of the system options in the computer.

### Phoenix - AwardBIOS CMOS Setup Utility Advanced Chipset Features

DRAM Configuration	[press enter]	Item Help
HT Link Control	[press enter]	
PCIE Configuration	[press enter]	Menu Level >
Memory Hole	Disabled	
System BIOS Cacheable	Disabled	
↑↓→← Move Enter:Select +/-/PU/PD:Value F10:Save ESC:Exit F1:General Help F5:Previous Values F6:Fail-safe Defaults F7:Optimized Defaults		

## DRAM Configuration

Please refer to section 3-6-1

## System BIOS Cacheable

Selecting Enabled allows caching of the system BIOS ROM at F0000h-FFFFFFh, resulting in better system performance. However, if any program writes to this memory area, a system error may result. The settings are: Enabled and Disabled.

# DRAM Configuration

## Phoenix - AwardBIOS CMOS Setup Utility

### DRAM Configuration

DRAM Latency (tcl)	Auto	Item Help
RAS to RAS R/W Delay (tRTC)	Auto	
Row precharge Time (tRP)	Auto	Menu Level >>
Minium RAS Active Time (Tras)	Auto	
DRAM Command Rate	2T	
CKE base Power down Mode	Disabled	
CKE based powerdom	per channel	
Memclock tri-stating	Disabled	
Memory Hole Remapping	Eabled	
Auto Optimize Bottom IO	Enabled	
*Bottom of {31:24}IO	DO	
DDRII Timing Item	Disabled	
Row cycle Time Item	26 bus clocks	
RAS to ras Delay (Trrd)	5clocks	
Precharge Time (trtp)	3T or 5T	
Whrite Recovery Time (twr)	6 bus clocks	
* Tw Tr Command delay	3 bus clock	
* Trfc 0 for DIMM 0	75ns	
* Trfc 1 for DIMM 1	75ns	
* Trfc 2 for DIMM 2	75ns	
* Trfc 3 for DIMM 3	75ns	
↑↓← Move Enter:Select +/-/PU/PD:Value F10:Save ESC:Exit F1:General Help F5:Previous Values F6:Fail-safe Defaults F7:Optimized Defaults		

### CAS # Latency

When synchronous DRAM is installed, the number of clock cycles of CAS latency depends on the DRAM timing. The settings are: Auto,3, 4 and 5.

### RAS-to-CAS Delay

This field let's you insert a timing delay between the CAS and RAS strobe signals, used when DRAM is written to, read from, or refreshed. *Fast* gives faster performance; and *Slow* gives more stable performance. This field applies only when synchronous DRAM is installed in the system.

### Row Precharge Time

If an insufficient number of cycles is allowed for the RAS to accumulate its charge before DRAM refresh, the refresh may be incomplete and the DRAM may fail to retain date. *Fast* gives faster performance; and *Slow* gives more stable performance. This field applies only when synchronous DRAM is installed in the system.

## HT Link Control

Phoenix - AwardBIOS CMOS Setup Utility

### HT link Control

HT link Width	Auto	Item Help
HT link Frequency	Auto	
IH Flow Control Mode	Disabled	Menu Level >
HT link Trislate	Disabled	
2x LCLK Mode	Disabled	
Unit ID Clumping	Disabled	
↑↓→← Move Enter:Select +/-/PU/PD:Value F10:Save ESC:Exit F1:General Help F5:Previous Values F6:Fail-safe Defaults F7:Optimized Defaults		

## PCIe Configuration

Phoenix - AwardBIOS CMOS Setup Utility

### PCIe Configuration

P2P b/w Primary/Secondary	Disabled	Item Help
GPP Power Limit,w	25	
>GFX Port 1	press Enter	Menu Level >
>GFX Port 2	press Enter	
>GPP-PE2	Press Enter	
>GPP-P3	Press Enter	
>GPP-PCIELAN	Press Enter	
>NB-SB Port Features	Press Enter	
↑↓→← Move Enter:Select +/-/PU/PD:Value F10:Save ESC:Exit F1:General Help F5:Previous Values F6:Fail-safe Defaults F7:Optimized Defaults		

## Integrated Peripherals

Phoenix - AwardBIOS CMOS Setup Utility

### Integrated Peripherals

> Super Function Setup	Press Enter	Item Help
> Onchip IDE Device	Press Enter	
> Onchip PCI Device	Press Enter	Menu Level >
↑↓→← Move Enter:Select +/-/PU/PD:Value F10:Save ESC:Exit F1:General Help F5:Previous Values F6:Fail-safe Defaults F7:Optimized Defaults		

### Super IO Device

Please refer to section 3-7-1

### OnChip IDE Device

Please refer to section 3-7-2

### OnChip PCI Device

Please refer to section 3-7-3

# Super IO Function Setup

## Phoenix - AwardBIOS CMOS Setup Utility

### Super IO Function Setup

Power on By Mouse	Disabled	Menu Level >>
Power on by keyboard	Disabled	
Onboard FDC Controller	Enabled	
Onboard Serial Port1	3F8/IRQ4	
UART Mode Select	Disabled	
Onboard Parallel Port	378/IRQ7	
Parallel Port Mode	SPP	
*ECP Mode Use DMA	3	
PWROM After PWR-Fail	[OFF]	
↑↓→← Move Enter:Select +/-/PU/PD:Value F10:Save ESC:Exit F1:General Help F5:Previous Values F6:Fail-safe Defaults F7:Optimized Defaults		

### Onboard FDC Controller

Select Enabled if your system has a floppy disk controller (FDD) installed on the system board and you wish to use it. If you install add-on FDC or the system has no floppy drive, select Disabled in this field. The settings are: Enabled and Disabled.

### Onboard Serial Port

Select an address and corresponding interrupt for the serial port. The settings are: 3F8/IRQ4, 2E8/IRQ3, 3E8/IRQ4, 2F8/IRQ3, Disabled, Auto.

### UART Mode Select

This item allows you to determine which InfraRed(IR) function of the onboard I/O chip, this functions uses.

### IrDA Duplex Mode

This field is available when UART Mode is set to either ASKIR or IrDA. This item enables you to determine the infrared function of the onboard infrared chip. The options are Full and Half (default). Full-duplex means that you can transmit and send information simultaneously. Half-duplex is the transmission of data in both directions, but only one direction at a time.

### Onboard Parallel Port

There is a built-in parallel port on the on-board Super I/O chipset that Provides Standard, ECP, and EPP features. It has the following option:

#### Disabled

(3BCH/IRQ7)/ Line Printer port 0

(278H/IRQ5)/ Line Printer port 2

(378H/IRQ7) Line Printer port 1

### Parallel Port Mode

SPP : Standard Parallel Port

EPP : Enhanced Parallel Port

ECP: Extended Capability Port

#### SPP/EPP/ECP/ECP+EPP

To operate the onboard parallel port as Standard Parallel Port only, choose "SPP." To operate the onboard parallel port in the EPP modes simultaneously, choose "EPP." By choosing "ECP", the onboard parallel port will operate in ECP mode only. Choosing "ECP+EPP" will allow the onboard parallel port to support both the ECP and EPP modes

simultaneously. The ECP mode has to use the DMA channel, so choose the onboard parallel port with the ECP feature. After selecting it, the following message will appear: "ECP Mode Use DMA" at this time, the user can choose between DMA channels 3 to 1. The onboard parallel port is EPP Spec. compliant, so after the user chooses the onboard parallel port with the EPP function, the following message will be displayed on the screen: "EPP Mode Select." At this time either EPP 1.7 spec. or EPP 1.9 spec. can be chosen.

### Poweron After Power Failure

This determines the manner when the power recovery after power failure. The setting are: Off, On.

## Onchip IDE Function

### Phoenix - AwardBIOS CMOS Setup Utility

#### OnChip IDE Function

IDE DMA transfer access	Enabled	Item Help	
Primary Master PIO	Auto		
Primary Slave PIO	Auto	Menu Level >>	
Primary Master UDMA	Auto		
Primary Slave UDMA	Auto		
Onchip SATA Controller	Enabled		
Onchip SATA Type	Native IDE		
IDE HDD Block Mode	Enabled		
↑↓→← Move Enter:Select +/-/PU/PD:Value F10:Save ESC:Exit F1:General Help F5:Previous Values F6:Fail-safe Defaults F7:Optimized Defaults			

### Primary Master/Slave PIO

The two IDE PIO (Programmed Input/Output) fields let you set a PIO mode (0-2) for each of the two IDE devices that the onboard IDE interface supports. Modes 0 through 2 provide successively increased performance. In Auto mode, the system automatically determines the best mode for each device. The settings are: Auto, Mode 0, Mode 1, Mode 2, Mode 3, Mode 4.

### Primary Master/Slave UDMA

Ultra DMA/33 implementation is possible only if your IDE hard drive supports it and the operating environment includes a DMA driver (Windows 95 OSR2 or a third-party IDE bus master driver). If your hard drive and your system software both support Ultra DMA/33 and Ultra DMA/66, select Auto to enable BIOS support. The settings are: Auto, Disabled.

### IDE HDD Block Mode

Block mode is also called block transfer, multiple commands, or multiple sector read/write. If your IDE hard drive supports block mode (most new drives do), select Enabled for automatic detection of the optimal number of block read/writes per sector the drive can support. The settings are: Enabled, Disabled.

### Onchip SATA Controller

This item allows you to control Serial ATA controller.

## Onchip PCI Device

### Phoenix - AwardBIOS CMOS Setup Utility

#### OnChip PCI Device

Onboard LAN Device	Enabled	Item Help
Onboard Lan Boot Rom	Disabled	
HD Audio	Auto	Menu Level >>
Onchip USB Controller	Enabled	
USB EHCI Controller	Enabled	
USB Keyboard Support	Enabled	
USB Printer Compability	Enabled	
↑↓→← Move Enter:Select +/-/PU/PD:Value F10:Save ESC:Exit F1:General Help F5:Previous Values F6:Fail-safe Defaults F7:Optimized Defaults		

### Onboard LAN device (Enabled)

This option allows you to control the onboard LAN device.

### HD Audio

This item allows you to decide to enable/disable the chipset family to support HD Audio. The settings are: Enabled, Disabled.

### Onchip USB Controller System

Select *Enabled* if your system contains a Universal Serial Bus (USB) controller and you have a USB peripherals. The settings are: Enabled, Disabled.

### USB Device Support

Select *Enabled* if your system contains a Universal Serial Bus (USB) controller and you have a USB device. The settings are: Enabled, Disabled.

## Power Management Setup

The Power Management Setup allows you to configure your system to most effectively save energy saving while operating in a manner consistent with your own style of computer use.

### Phoenix - AwardBIOS CMOS Setup Utility

#### Power Management Setup

ACPI function	Enabled	Item Help
C2 Disabled /Enabled	Disabled	
Power Management Option	User Define	Menu Level >
HDD Power Down	Disabled	
Video Off Option	[suspend -> off]	
Video off Method	V/H SYNC + BLANK	
Modem Use IRQ	3	
Soft-OFF by PWRBTN	Instant off	
Power On by PCI Card	Disabled	
Modem Ring Resume	Disabled	
APCI SDT Table	Enabled	
HPET Support	Enabled	
RTL Alarm Resume	Disabled	
*Date(of Month)	0	
*Resume Time (hh:mm:ss)	0:0:0	
↑↓→← Move Enter:Select +/-/PU/PD:Value F10:Save ESC:Exit F1:General Help F5:Previous Values F6:Fail-safe Defaults F7:Optimized Defaults		

### ACPI Function

This item allows you to Enabled/Disabled the Advanced Configuration and Power Management (ACPI). The settings are Enabled and Disabled.

### HDD Power Down (Disabled)

The IDE hard drive will spin down if it is not accessed within a specified length of time. Options are from 1 Min to 15 Min and Disable.

### Video Off Method

This determines the manner in which the monitor is blanked.

- DPMS (default)** Initial display power management signaling.
- Blank Screen** This option only writes blanks to the video buffer.
- V/H SYNC+Blank** This selection will cause the system to turn off the vertical and horizontal synchronization ports and write blanks to the video buffer.

### MODEM Use IRQ

If you want an incoming call on a modem to automatically resume the system from a power-saving mode, use this item to specify the interrupt request line (IRQ) that is used by the modem. You might have to connect the fax/modem to the motherboard Wake On Modem connector for this feature to work.

### Soft-Off by PWRBTN

Under ACPI (Advanced Configuration and Power management Interface) you can create a software power down. In a software power down, the system can be resumed by Wake up Alarms. This item lets you install a software power down that is controlled by the power Button on your system. If the item is set to Instant-Off, then the power button causes a software power down. If the item is set to Delay 4 Sec, then you have to hold the power button down for four seconds to cause a software power down.

### RTC Alarm Resume

When set to Enabled, additional fields become available and you can set the date (day of the month), hour, minute and second to turn on your system. When set to 0 (zero) for the day of the month, the alarm will power on your system every day at the specified time .

#### Date (of month)

You can choose which month the system will boot up. Set to 0, to boot every day.

#### Time (hh:mm:ss)

You can choose what hour, minute and second the system will boot up.

**Note:** If you have change the setting, you must let the system boot up until it goes to the operating system, before this function will work.

## Miscellaneous

### Phoenix - AwardBIOS CMOS Setup Utility

#### Miscellaneous Control

Init Display First	PCI Ex	Item Help	
Reset Configuration Data	Disabled		
Resource Controlled by	Auto [ESCD]	Menu Level >	
* IRQ Resource	Press Enter		
PCI/VGA Palette Snoop	Disabled		
Assign IRQ for VGA	Enabled		
Assign IRQ for USB	Enabled		
PCI Latency Timer (CLK)	[64]		
* PCI Express Relative Items			
Maximum Payload Size	4096		
↑↓→← Move Enter:Select +/-/PU/PD:Value F10:Save ESC:Exit F1:General Help F5:Previous Values F6:Fail-safe Defaults F7:Optimized Defaults			

### Reset Configuration Data

If you enable this item and restart the system, any Plug and Play configuration data stored in the BIOS Setup is cleared from memory.

### Init Display First

Use this item to specify whether your graphics adapter is installed in one of the PCI E slots or is integrated on the motherboard. If a PCI E graphics card is installed, the onboard VGA will be disabled.

### PCI/VGA Palette Snoop

This item is designed to overcome problems that can be caused by some non-standard VGA cards. This board includes a built-in VGA system that does not require palette snooping so you must leave this item disabled.

### Assign IRQ For USB

Names the interrupt request (IRQ) line assigned to the USB on your system. Activity of the selected IRQ always awakens the system.

### IRQ Resources

When resources are controlled manually, assign each system interrupt a type, depending on the type of device using the interrupt.

## PC Health Status

This section shows the Status of you CPU, Fan, Warning for overall system status. This is only available if there is Hardware Monitor onboard.

### Phoenix - AwardBIOS CMOS Setup Utility

#### PC Health Status

Show H/W Health in Post	Enabled	Item Help	
Shutdown Temperature	Disabled		
SMART FAN Configuration	Press Enter	Menu Level >	
Vcc3.3	3.37v		
Vcore	1.27V		
NBVC	1.08V		
+5V	5.24V		
+12V	12.55V		
5VSB	5316V		
VDIMM	1.96V		
CPU Temperature	41°C		
System Temperature	34°C		
CPUFAN	3625RPM		
SYSFAN1	0 RPM		
SYSFAN2	0 RPM		
↑↓→← Move Enter:Select +/-/PU/PD:Value F10:Save ESC:Exit F1:General Help F5:Previous Values F6:Fail-safe Defaults F7:Optimized Defaults			

### Show PC Health in Post

During Enabled, it displays information list below. The choice is either Enabled or Disabled

### Shutdown Temperature

This item can let users setting the Shutdown temperature, when CPU temperature over this setting the system will auto shutdown to protect CPU.

### PS CPU Smart FAN Configurations

#### CPU Full-Speed Temp

This item allows you setting the FAN works in full speed when the temperature over the value which out set. If the temperature below the value but over the Idle Temperature, the FAN



will work over 60% of full speed, and the higher temperature will gain higher FAN speed, after over the temperature which this item setting, the FAN works in full speed.

### CPU Idle Temp

This item allows you setting the FAN works in 60% of full speed, when the temperature lower than the temperature which you setting.

### CPU Temperature/ System Temperature / NBTemperature /SYSFAN1, FAN2 Speed/Vcore/ Vdd/3.3V/+5V/+12V/-12V/VBAT(V)/5VSB(V)

This will show the CPU/FAN/System voltage chart and FAN Speed.

## Frequency /Voltage Control

### oenix - AwardBIOS CMOS Setup Utility

#### Power User Overclock Settings

CPU/HT Reference Clk(MHz)	200	<p style="text-align: center;">Item Help</p> <p><b>CPU/HT Reference Clk</b></p> <p>Min=190 Max=600</p> <p>Key in a DEC number :[ ]</p> <p>↑↓:Move ENTER:Accept ESC:Abort</p> <p>Menu Level &gt;</p>
PCIE Reference clock	100	
SB Reference clock	100	
AMD CPU Ratio Control	Auto	
Memory Clock Mode	Auto	
*Memory Clock Value	ddr667	
CPU Vcore 7-shift	Normal	
CPU Voltage at Next Boot	Default	
VDIMM Select	1.95v	
NB Voltage Setting	Default	
<p>↑↓← Move Enter:Select +/-/PU/PD:Value F10:Save ESC:Exit F1:General Help</p> <p>F5:Previous Values F6:Fail-safe Defaults F7:Optimized Defaults</p>		

Phoenix - AwardBIOS CMOS Setup Utility

Power User Overclock Settings

CPU/HT Reference Clk(MHz)	200	<b>CPU Vcore 7-Shift</b>
PCIE Reference clock	100	Normal . . . [ ]
SB Reference clock	100	+5% . . . . [ ]
AMD CPU Ratio Control	Auto	+10% . . . . [ ]
Memory Clock Mode	Auto	+15% . . . . [ ]
*Memory Clock Value	ddr667	+20% . . . . [ ]
CPU Vcore 7-shift	Normal	+25% . . . . [ ]
CPU Voltage at Next Boot	Default	+30% . . . . [ ]
VDIMM Select	1.95v	+35% . . . . [ ]
NB Voltage Setting	Default	↑↓:Move ENTER:Accept ESC:Abort

↑↓→← Move Enter:Select +/-/PU/PD:Value F10:Save ESC:Exit F1:General Help  
 F5:Previous Values F6:Fail-safe Defaults F7:Optimized Defaults

**CPU Vcore**

This item allows you select the CPU Vcore Voltage xx% more than the standard value, by this function for the precise over-clocking for extra demanding of performance.

Phoenix - AwardBIOS CMOS Setup Utility

Power User Overclock Settings

CPU/HT Reference Clk(MHz)	200	<b>NB Voltage Setting</b>
PCIE Reference clock	100	Default . . . . [ ]
SB Reference clock	100	1.15 v . . . . [ ]
AMD CPU Ratio Control	Auto	1.20 v . . . . [ ]
Memory Clock Mode	Auto	
*Memory Clock Value	ddr667	
CPU Vcore 7-shift	Normal	
CPU Voltage at Next Boot	Default	
VDIMM Select	1.95v	
NB Voltage Setting	Default	↑↓:Move ENTER:Accept ESC:Abort

↑↓→← Move Enter:Select +/-/PU/PD:Value F10:Save ESC:Exit F1:General Help  
 F5:Previous Values F6:Fail-safe Defaults F7:Optimized Defaults

## NB Voltage

This item allows you to select value of Voltage for North Bridge Chipset.

### Phoenix - AwardBIOS CMOS Setup Utility Power User Overclock Settings

CPU/HT Reference Clk(MHz)	200	<b>VDIMM Select</b> ..... 1.70v [ ] 1.75v [ ] 1.80v [ ] 1.85v [ ] ..... * 2.55v [ ]
PCIE Reference clock	100	
SB Reference clock	100	
AMD CPU Ratio Control	Auto	
Memory Clock Mode	Auto	
*Memory Clock Value	ddr667	
CPU Vcore 7-shift	Normal	
CPU Voltage at Next Boot	Default	
VDIMM Select	1.95v	
NB Voltage Setting	Default	
↑↓→← Move Enter:Select +/-/PU/PD:Value F10:Save ESC:Exit F1:General Help F5:Previous Values F6:Fail-safe Defaults F7:Optimized Defaults		

### Phoenix - AwardBIOS CMOS Setup Utility Power User Overclock Settings

CPU/HT Reference Clk(MHz)	[200]	<b>PCIE Reference Clock</b> Min = 90 Max =250 Key in a DEC Number : ↑↓:Move ENTER:Accept ESC:Abort
PCIE Reference Clock	100	
SB Reference Clock	100	
AMD CPU Ratio Control	Auto	
Memory Clock Mode	Auto	
*Memory Clock Value	ddr667	
CPU Vcore 7-shift	Normal	
CPU Voltage at Next Boot	Default	
VDIMM Select	1.95v	
NB Voltage Setting	Default	
↑↓→← Move Enter:Select +/-/PU/PD:Value F10:Save ESC:Exit F1:General Help F5:Previous Values F6:Fail-safe Defaults F7:Optimized Defaults		

### Phoenix - AwardBIOS CMOS Setup Utility Power User Overclock Settings

CPU/HT Reference Clk(MHz)	200	<b>CPU Voltage at Next Boot</b> Default . . . . . [ ] 1.550v . . . . . [ ] 1.525v . . . . . [ ] 1.500v . . . . . [ ] . . . . . ↑↓:Move ENTER:Accept ESC:Abort
PCIE Reference clock	100	
SB Reference clock	100	
AMD CPU Ratio Control	Auto	
Memory Clock Mode	Auto	
*Memory Clock Value	ddr667	
CPU Vcore 7-shift	Normal	
CPU Voltage at Next Boot	Default	
VDIMM Select	1.95v	
NB Voltage Setting	Default	
↑↓→← Move Enter:Select +/-/PU/PD:Value F10:Save ESC:Exit F1:General Help F5:Previous Values F6:Fail-safe Defaults F7:Optimized Defaults		

Phoenix - AwardBIOS CMOS Setup Utility

Power User Overclock Settings

<p>CPU/HT Reference Clk(MHz) 200          PCIE Reference clock 100          SB Reference clock 100          AMD CPU Ratio Control Auto          Memory Clock Mode Auto          *Memory Clock Value ddr667          CPU Vcore 7-shift Normal          CPU Voltage at Next Boot Default          VDIMM Select 1.95v          NB Voltage Setting Default</p>	<p><b>AMD CPU Ratio Control</b></p> <p>Auto . . . [ ]          X4 . . . . . [ ]          X4.5 . . . . . [ ]          X5 . . . . . [ ]          X5.5 . . . . . [ ]          X6 . . . . . [ ]          X6.5 . . . . . [ ]          ...          ↑↓:Move ENTER:Accept ESC:Abort</p>
<p>↑↓←→ Move Enter:Select +/-/PU/PD:Value F10:Save ESC:Exit F1:General Help          F5:Previous Values F6:Fail-safe Defaults F7:Optimized Defaults</p>	

Phoenix - AwardBIOS CMOS Setup Utility

Power User Overclock Settings

<p>CPU/HT Reference Clk(MHz) 200          PCIE Reference clock 100          SB Reference clock 100          AMD CPU Ratio Control Auto          Memory Clock Mode Auto          *Memory Clock Value ddr667          CPU Vcore 7-shift Normal          CPU Voltage at Next Boot Default          VDIMM Select 1.95v          NB Voltage Setting Default</p>	<p><b>SB Reference Clock</b></p> <p>Min = 90          Max =150          Key in a DEC Number :          ↑↓:Move ENTER:Accept ESC:Abort</p>
<p>↑↓←→ Move Enter:Select +/-/PU/PD:Value F10:Save ESC:Exit F1:General Help          F5:Previous Values F6:Fail-safe Defaults F7:Optimized Defaults</p>	

## CPU Thermal –throttling

Phoenix – AwardBIOS CMOS Setup Utility  
CPU Thermal-Throttling

CPU Thermal – Throttling *CPU TThermal-Throttling	Disabled 70	Item Help
		Menu
		Thermal Throttling Temp
		Min=40 Max=90 Key in a DEC number
		↑↓:Move ENTER:Accept ESC:Abort
		Level >>
↑↓→← Move Enter:Select +/-/PU/PD:Value F10:Save ESC:Exit F1:General Help F5:Previous Values F6:Fail-safe Defaults F7:Optimized Defaults		

## Load Fail-Safe Defaults

### Load Fail-Safe Defaults

When you press <Enter> on this item, you get a confirmation dialog box with a message similar to:

Load Fail-Safe Defaults (Y/N)? N

Pressing <Y> loads the default values that are factory settings for stable performance system operations.

## Load Optimized Defaults

### Load Optimized Defaults

When you press <Enter> on this item, you get a confirmation dialog box with a message similar to:

Load Optimized Defaults (Y/N)? N

Pressing <Y> loads the default values that are factory settings for optimal performance system operations.

## Password Settings

You can set either supervisor or user password, or both of them. The differences are:

**Supervisor password:** Can enter and change the options of the setup menus.

**User password:** Can only enter but do not have the right to change the options of the setup menus. When you select this function, the following message will appear at the center of the screen to assist you in creating a password.

### **ENTER PASSWORD:**

Type the password, up to eight characters in length, and press <Enter>. The password typed now will clear any previously entered password from CMOS memory. You will be asked to confirm the password. Type the password again and press <Enter>. You may also press <Esc> to abort the selection and not enter a password.

To disable a password, just press <Enter> when you are prompted to enter the password. A message will confirm that the password will be disabled. Once the password is disabled, the system will boot and you can enter Setup freely.

### **PASSWORD DISABLED.**

When a password has been enabled, you will be prompted to enter it every time you try to enter Setup. This prevents an unauthorized person from changing any part of your system configuration.

Additionally, when a password is enabled, you can also require the BIOS to request a password every time your system is rebooted. This would prevent unauthorized use of your computer.

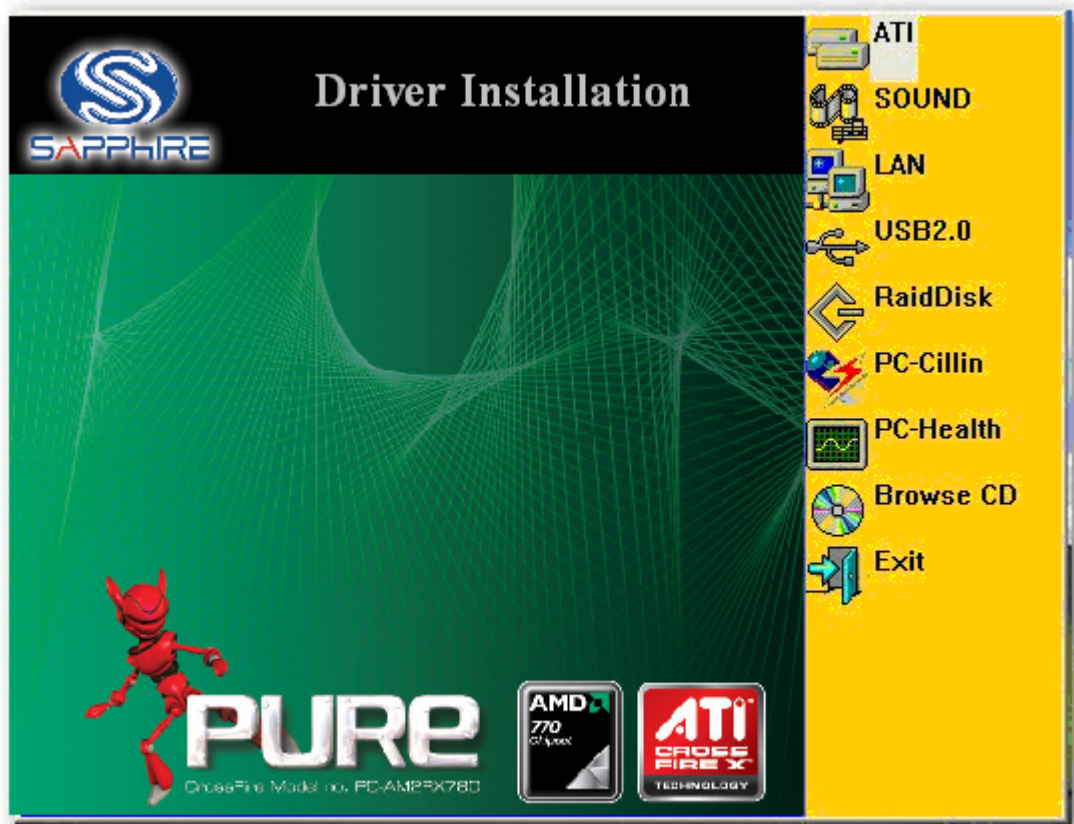
You determine when the password is required within the BIOS Features Setup Menu and its Security option. If the Security option is set to "System", the password will be required both at boot and at entry to Setup. If set to "Setup", prompting only occurs when trying to enter Setup.

## DRIVER & FREE PROGRAM INSTALLATION

Check your package and there is A MAGIC INSTALL CD included. This CD consists of all DRIVERS you need and some free application programs and utility programs. In addition, this CD also include an auto detect software which can tell you which hardware is installed, and which DRIVERS needed so that your system can function properly. We call this auto detect software MAGIC INSTALL.

### Driver Installation supports WINDOWS 9X/NT/2K/XP

Insert CD into your CD-ROM drive and the MAGIC INSTALL Menu should appear as below. If the menu does not appear, double-click MY COMPUTER / double-click CD-ROM drive or click START / click RUN / type X:\SETUP.EXE (assuming X is your CD-ROM drive).



From Driver Installation MENU you may take 8 selections:

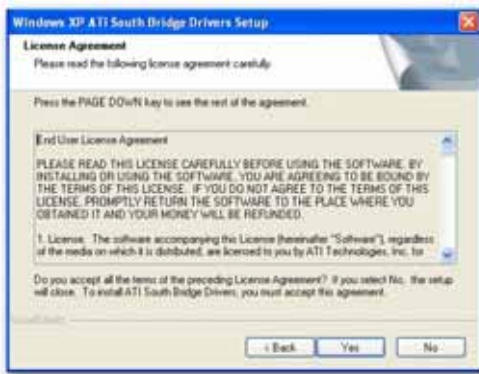
1. ATI                   install ATI integrated driver pack
2. SOUND               install ALC883 HD Audio driver
3. LAN                   install Realtek LAN Controller driver
4. USB2.0               install USB 2.0 driver
5. RAID                  install RAID SATA driver and utility
6. PC-CILLIN           install PC-CILLIN 2007 anti-virus program
7. PC-HEALTH           install MyGuard Hardware Monitor Utility

- 8. BROWSE CD to browse the contents of the CD
- 9. EXIT to exit from MAGIC INSTALL menu

## Install ATI Intergrated Driver Pack



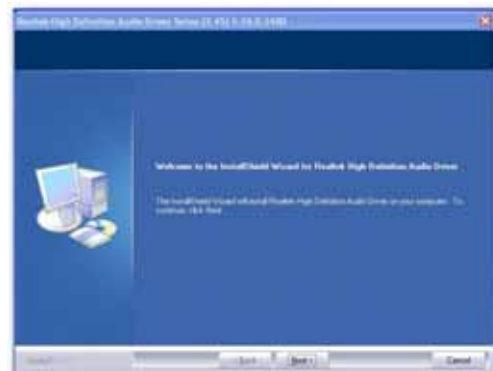
- 1. Click ATI in the MAGIC INSTALL MENU
- 2. Click Next when ATI software driver pack appears.



- 3. Click "Yes" to accept the license agreement and start installation..
- 4. Click Finish to restart your computer

\* The path of the file is X:\ATI\DRIVER\SETUP.EXE

## Install ALC883 HD Audio Driver



- 1. Click SOUND when MAGIC INSTALL MENU appears
- 2. Click Next when Realtek High Definition Audio driver windows appear





3. Click FINISH and restart your computer



4. Manual Sound Effect Setting



5. Drivers and mixer.



6. Audio input and output settings .



7. Microphone effect.



8. 3D Audio

**NOTE: Please upgrade your Windows XP to Service Pack 1 / Windows 2000 to Service Pack 4 or later before you the HD Audio CODEC driver.**

# Install Realtek LAN Controller Driver



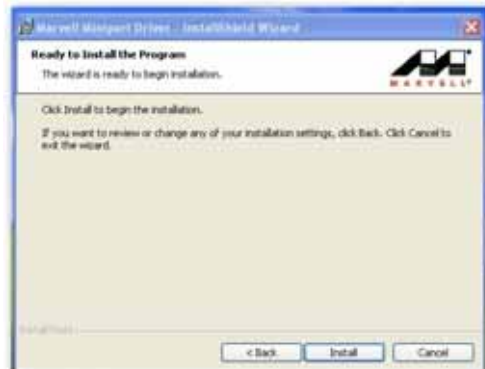
1. Click LAN when Magic Install Menu appear



2. Click Install to install REALTEK LAN and Fast Ethernet NIC Driver



3. To click "yes" to accept the license agreement



4. Click install



5. Installing proceses



6. After driver installation completed, click finish

## Install ATI USB2.0 DRIVER



### Windows 2000 OS

Please install Windows 2000 service pack 4 or later .

### Windows XP OS

Please install Windows XP service pack 1 or later .

## Install RAID SATA Driver and Utility



1 Click RAIDDisk when MAGIC INSTALL MENU appears

2. Install RAID Disk.

# PC-CILLIN Install PC-CILLIN 2007 Anti-virus program



1. Click PC-CILLIN when MAGIC INSTALL MENU appears



2. Please select "Install program" when the "Trend Micro internet security" install shield wizard windows appears



3. This is license agreement, select "I accept the terms in the licence agreement" and Click NEXT



4. The scanning process



5. Click Next after you select the features you want to install and the folder to install it



6. Click Install after you select to install the optional online services.



7. copying new files



8. click “automatically restart your computer now ”and Finish to activate this function.

## Install MyGuard Hardware monitor Utility



1. Click PC-health when MAGIC INSTALL MENU appears



2. Click Next on My Guard Install Shield Wizard Window



3. Click Install to begin the installation.



4. Click Finish to complete the installation.

# AMD Platform RAID Function Installation

## Step 1.

Please get into the location: BIOS setup \ Integrated Peripherals \ Onchip IDE function \

Onchip SATA Type ,choose RAID to enable the RAID function and choose the RAID hard drive channel.

Phoenix - AwardBIOS CMOS Setup Utility  
RAID Configuration

<pre> RAID Enable           Enabled IDE Primary Master   RAID   Disabled IDE Primary Slave    RAID   Disabled IDE Secondary Master RAID   Disabled IDE Secondary Slave  RAID   Disabled SATA Channel 1       RAID   Enabled SATA Channel 2       RAID   Enabled SATA Channel 3       RAID   Enabled SATA Channel 4       RAID   Enabled                 </pre>	<p style="text-align: center;">Item Help</p> <hr/> <p style="text-align: center;">Menu Level &gt;&gt;</p>
<pre> ↑↓→← Move Enter:Select +/-/PU/PD:Value F10:Save ESC:Exit F1:General Help F5:Previous Values F6:Optimized Defaults F7:Standard Defaults                 </pre>	

## Step 2.

After the System boot up in the second page , you can find the NVIDIA RAID IDE ROM BIOS windows appear. It will ask you to “Press F10 to enter RAID setup utility ...“ ?

Please press “F10” key to RAID utility now , then you can select the RAID functions on your own with the optional RAID functions as below,

1. Mirroring
2. Striping
3. Striping Mirroring
4. Spanning

Array 1 : NVIDIA MIRROR 74.50G  
- Array Detail -

<pre> RAID Mode : Mirroring Striping Width : 1           Striping Block: 64K                 </pre>																						
<table style="width: 100%; border-collapse: collapse;"> <thead> <tr> <th style="text-align: left; border-bottom: 1px solid black;">Adapt</th> <th style="text-align: left; border-bottom: 1px solid black;">Channel</th> <th style="text-align: left; border-bottom: 1px solid black;">M/S</th> <th style="text-align: left; border-bottom: 1px solid black;">Index</th> <th style="text-align: left; border-bottom: 1px solid black;">Disk</th> <th style="text-align: left; border-bottom: 1px solid black;">Model Name</th> <th style="text-align: left; border-bottom: 1px solid black;">Capacity</th> </tr> </thead> <tbody> <tr> <td style="padding: 2px 5px;">WD800JB-75JMA0</td> <td style="text-align: center; padding: 2px 5px;">1</td> <td style="padding: 2px 5px;">75.50GB</td> <td style="text-align: center; padding: 2px 5px;">0</td> <td style="padding: 2px 5px;"></td> <td style="padding: 2px 5px;">Master</td> <td style="text-align: center; padding: 2px 5px;">0</td> </tr> <tr> <td style="padding: 2px 5px;">WD800JB-75JMA0</td> <td style="text-align: center; padding: 2px 5px;">1</td> <td style="padding: 2px 5px;">75.50GB</td> <td style="text-align: center; padding: 2px 5px;">0</td> <td style="padding: 2px 5px;"></td> <td style="padding: 2px 5px;">Master</td> <td style="text-align: center; padding: 2px 5px;">0</td> </tr> </tbody> </table>	Adapt	Channel	M/S	Index	Disk	Model Name	Capacity	WD800JB-75JMA0	1	75.50GB	0		Master	0	WD800JB-75JMA0	1	75.50GB	0		Master	0	<p style="text-align: right;">WDC</p> <p style="text-align: right;">WDC</p>
Adapt	Channel	M/S	Index	Disk	Model Name	Capacity																
WD800JB-75JMA0	1	75.50GB	0		Master	0																
WD800JB-75JMA0	1	75.50GB	0		Master	0																
<pre> [R] Rebuild [D] Delete [C] Clear Disk [ENTER] Return                 </pre>																						



### Step 3.

#### Making RAID driver diskette before Install WindowsXP/2000

Before you install the Windows XP or Windows 2000, you will need to make a RAID driver diskette before you start to install the Operating System.

#### How to make a RAID driver diskette?

- 1: Insert the diskette which is being formatted in floppy drive on a system which can start OS.
- 2: After booting OS insert the bundle CD in your CD-ROM
- 3: Copy all the files from \NF-orce4\RAIDDisk to floppy diskette

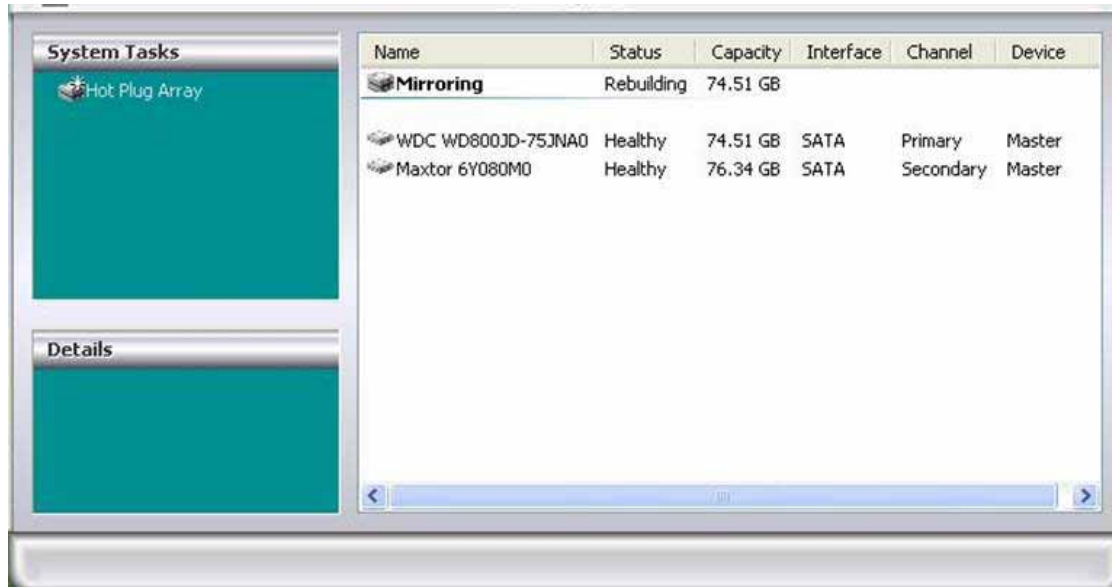
Once you have the SATA driver diskette ready, you may start to install Windows XP or Windows 2000 on your System.

#### Installation of Windows XP/ Windows 2000

For installation of Windows XP or Windows 2000, please insert Windows XP or Windows 2000 CD into the CD-ROM drive. Then remove the floppy diskette, and boot the system. At the very beginning, you will see the message at the bottom of screen, “Press F6 if you need to install a third party SCSI or RAID driver...”

At this moment, please press <F6> key and follow the instructions of Windows XP or Windows 2000 for the proper installation.

Execute Start → programs → ATI corporation → RAID manager , you can view RAID function status or rebuild RAID function from Windows OS



# Pro Magic Plus Function Introduction

## What's Pro Magic Plus?

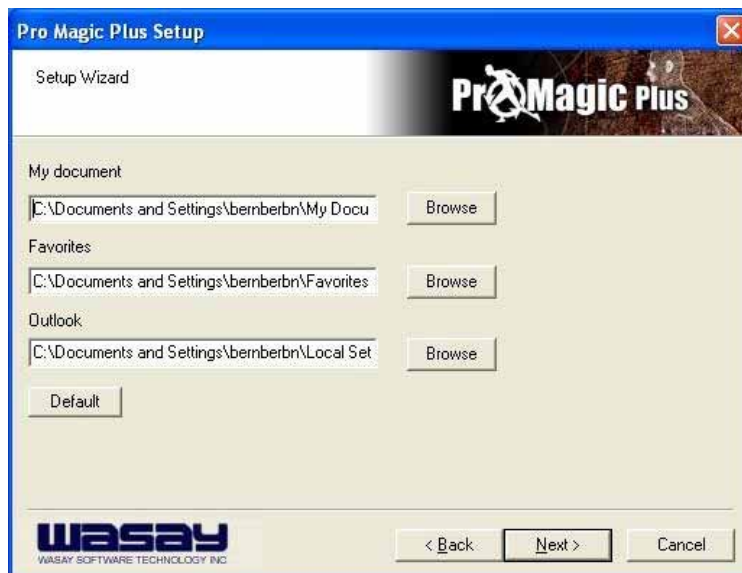
Tired with reinstall OS each time when it doesn't work? Does your computer often crash down or unable to work after installed new software? Have you had great loses and troubles because of computer problems? Still using time-consuming backup software that occupies lots of HD space?

Pro Magic Plus- an instant system recovery software tailored to solve these problems for you. It combines various application tools (e.g. anti-virus, backup software, uninstall software, multi-boot software) to satisfy your needs of all sorts of system protections.

## What functions does Pro Magic Plus have?

1. **Instant System Restoration** – Regardless of mis-operation or system crash, install Pro Magic Plus beforehand would allow you to instantly restore your system back by simply reboot your computer.
2. **Easy-to-use** – Auto installation from CD ROM; Supports Mouse
3. **System Uninstall** – Pro Magic provides a protection mode, which allows user to freely test any software. If user does not want to keep the software, just reboot the computer to restore back to the previous state, and Pro Magic will remove it completely from you computer.
4. **Password Security** – Pro Magic provides double password protection, including user password for entering each OS and manager password for managing 'Pro Magic', which can effectively prevent others from using your computer without permission or data from being stolen. (disable item for OEM version)
5. **Complete Protection** – Pro Magic not only protects the system disk, but also can protect your data disk, and does not require to reboot when backup or restore data disk.
6. **Multipoint Save/Restore** – You can backup your system whenever you need and restore them back to anytime you wish, 1 hour, 1 day or 1 month ago. Restore points are unlimited. (disable item for OEM version)
7. **Data Disk Protection** – Pro Magic Plus now comes with data disk protection, provides complete protection for your computer! (disable item for OEM version)
8. **You can choose to change the default path of 'My Document', 'My Favorite' and 'Outlook Express'**, so that when you are restoring the system, data in these folders will not be restored as well. (This is optional, you can leave it as it is).





graph 4

---

NOTE: Functions of each version will differ from each other, and will be based on the function descriptions of each version.

---

### System Requirements

First OS must be Windows 98 SE/ME/2000/XP  
Support Only Windows OS (No Linux)  
Windows server OS and Windows NT not supported  
Minimum of Intel 486 or above, 16MB of memory or above  
Minimum of 500MB free/usable space or above  
Support for SCSI & SATA Hard disk

---

*Pro Magic Plus only supports SCSI hard disk with Windows 2000 or OS above*

---

### Notice Before Installation

1. Before install Pro Magic Plus, turn off all anti-virus software. (Include BIOS anti-virus function)
2. Pro Magic Plus does not support multiple PRI partitions. If you have multiple PRI partitions, please repartition your HD before installation.
3. If your HDD is not fully partitioned (with un-partitioned/unused space at end of HDD), please repartition the HDD before install Pro Magic Plus.

# USEFUL HELP

## HOW TO UPDATE BIOS

Before updating the BIOS, users have to “Disable” the “Flash Part Write Protect” selection in “Miscellaneous Control” of BIOS SETUP. Otherwise the system will not allow you to upgrade BIOS by Award Flash Utility.

**STEP 1.** Prepare a boot disc. (you may make one by click START click RUN type SYS A: click OK)

**STEP 2.** Copy utility program to your boot disc. You may copy from DRIVER CD X:\FLASH\AWDFLASH.EXE or download from our web site.

**STEP 3.** Download and make a copy of the latest BIOS for 770 SERIES motherboard series from the web site to your boot disc.

**STEP 4.** Insert your boot disc into A:, start the computer, type “Awdflash A:\xxxxxx.BIN /SN/PY/CC/R”  
xxxxxx.BIN is the file name of latest BIOS  
SN means don’t save existing BIOS data  
PY means renew existing BIOS data  
CC means clear existing CMOS data  
R means restart computer

**STEP 5.** Push ENTER to update and flash the BIOS, then the system will restart automatically.

## Trouble Shooting

Problem	Solution
No power to the system to the all power light don’t illuminate, fan inside power supply doesn’t turn on.	1. Make sure power cable is security plugged in. 2. Replace cable. 3. Contact technical support.
System inoperative. Keyboard lights are on , power indicator lights are lit, and hard drive is spinning.	Using ever pressure on both ends of the DIMM , press down firmly until the module snaps into places.
System doesn’t boot from hard disk drive, can be booted from optical drive.	1. Check cable running from disk to disk controller board. .Make sure both ends are securely plugged in, check the drive type in the standard CMOS setup. 2. Backing up the hard drive is extremely important .All hard disks are capable of breaking down at any time.
System only boots from optical drive .Hard disk can be read and applications can be used but booting from hard disk is impossible.	1. Back up date and applications files. 2. Reformat the hard drive. Reinstall applications and date using backup disks.
Screen message says “Invalid Configuration” or “CMOS Failure”	Review system ‘s equipment .Make sure correct information on is in setup.
Can not boot system after installing second hard drive.	1. Set master /slave jumpers correctly. 2. Run SETUP program and select correct drive types. Call the drive manufacture for compatibility with other drives.

## Glossary

**Chipset (or core logic)** - two or more integrated circuits which control the interfaces between the system processor, RAM, I/O devices, and adapter cards.

**Processor slot/socket** - the slot or socket used to mount the system processor on the motherboard.

**Slot (PCI-E, PCI, RAM)** - the slots used to mount adapter cards and system RAM.

**PCI - Peripheral Component Interconnect** - a high speed interface for video cards, sound cards, network interface cards, and modems; runs at 33MHz.

**PCI Express-** Peripheral Component Interconnect Express- a high speed interface for video cards, sound cards, network interface cards, and modems.

**Serial Port** - a low speed interface typically used for mouse and external modems.

**Parallel Port** - a low speed interface typically used for printers.

**PS/2** - a low speed interface used for mouse and keyboards.

**USB - Universal Serial Bus** - a medium speed interface typically used for mouse, keyboards, scanners, and some digital cameras.

**Sound (interface)** - the interface between the sound card or integrated sound connectors and speakers, MIC, game controllers, and MIDI sound devices.

**LAN (interface) - Local Area Network** - the interface to your local area network.

**BIOS (Basic Input/Output System)** - the program logic used to boot up a computer and establish the relationship between the various components.

**Driver** - software, which defines the characteristics of a device for use by another device or other software.

**Processor** - the "central processing unit" (CPU); the principal integrated circuit used for doing the "computing" in "personal computer"

**Front Side Bus Frequency** - the working frequency of the motherboard, which is generated by the clock generator for CPU, DRAM and PCI BUS.

**CPU L2 Cache** - the flash memory inside the CPU, normal it depend on CPU type.