

# **CW35 Series**

**Rev. CB+**

**System Board User's Manual**

**Carte Mère Manuel Pour Utilisateur**

**System-Platine Benutzerhandbuch**

**Tablero Electrónico del Sistema Manual del  
Usuario**

## Copyright

This publication contains information that is protected by copyright. No part of it may be reproduced in any form or by any means or used to make any transformation/adaptation without the prior written permission from the copyright holders. This publication is provided for informational purposes only. The manufacturer makes no representations or warranties with respect to the contents or use of this manual and specifically disclaims any express or implied warranties of merchantability or fitness for any particular purpose. The user will assume the entire risk of the use or the results of the use of this document.

**English** The manufacturer reserves the right to revise this publication and make changes to its contents at any time, without obligation to notify any person or entity of such revisions or changes.

**Français** Le fabricant se réserve le droit de revoir cette publication et d'effectuer des changements dans son contenu sans obligation d'un préavis quelconque à qui que ce soit.

**Deutsch** Der Hersteller behält sich das Recht vor, den Inhalt dieses Handbuchs jederzeit und ohne Benachrichtigung zu überarbeiten und abzuändern.

**Español** El fabricante reserva el derecho de corregir esta publicación y hacer cambios a sus contenidos en cualquier tiempo, sin obligación de notificar a cualquier persona o entidad de tales revisiones o cambios.

© 2000. All Rights Reserved.

## Trademarks

Microsoft® MS-DOS®, Windows™, Windows® 95 and Windows® 98 are registered trademarks of Microsoft Corporation. Intel®, Pentium® III and Celeron™ are registered trademarks of Intel Corporation. Award is a registered trademark of Award Software, Inc. Other trademarks and registered trademarks of products appearing in this manual are the properties of their respective holders.

## Caution:

Danger of explosion if battery incorrectly replaced.

Replace only with the same or equivalent type recommended by the manufacturer.

Dispose of used batteries according to the battery manufacturer's instructions.

## FCC and DOC Statement on Class B

This equipment has been tested and found to comply with the limits for a Class B digital device, pursuant to Part 15 of the FCC rules. These limits are designed to provide reasonable protection against harmful interference when the equipment is operated in a residential installation. This equipment generates, uses and can radiate radio frequency energy and, if not installed and used in accordance with the instruction manual, may cause harmful interference to radio communications. However, there is no guarantee that interference will not occur in a particular installation. If this equipment does cause harmful interference to radio or television reception, which can be determined by turning the equipment off and on, the user is encouraged to try to correct the interference by one or more of the following measures:

- Reorient or relocate the receiving antenna.
- Increase the separation between the equipment and the receiver.
- Connect the equipment into an outlet on a circuit different from that to which the receiver is connected.
- Consult the dealer or an experienced radio TV technician for help.

### Notice:

1. The changes or modifications not expressly approved by the party responsible for compliance could void the user's authority to operate the equipment.
2. Shielded interface cables must be used in order to comply with the emission limits.

## Table of Contents / Table des Matières / Inhaltsverzeichnis / Tabla de Contenidos

<b>Chapter 1 - Introduction</b>	
1.1 Features and Specifications.....	4
1.2 Package Checklist.....	22
<b>Chapter 2 - Hardware Installation</b>	
2.1 System Board Layout .....	24
2.2 Jumper Settings for Clearing CMOS Data.....	25
2.3 Jumper Settings for Wake-On-Keyboard/Mouse.....	27
2.4 Jumper Settings for the System's Beep Message.....	29
2.5 Jumper Settings for the CPU's Front Side Bus.....	30
2.6 Jumper Settings for the Boot Block Lock/Unlock.....	32
2.7 Jumper Settings for the Audio Codec.....	33
2.8 Connectors.....	38
<b>Chapter 3 - Award BIOS Setup Utility</b>	
3.1 Entering the Award BIOS Setup Utility.....	48
3.2 Setting the Date and Time.....	49
3.3 Selecting the Hard Drive and Floppy Drive Type.....	50
3.4 Selecting the Boot Sequence of the Drives.....	52
3.5 Enabling the AC97 Modem.....	53
3.6 Setting the Wake-On-Keyboard/Mouse Function.....	54
3.7 Selecting the Power Lost Resume State.....	58
3.8 Selecting the CPU Ratio.....	60
3.9 Using the Suspend to RAM Function.....	63
3.10 Loading Fail-Safe Defaults/Optimized Defaults.....	66
3.11 Setting the Supervisor/User Password.....	67
<b>Chapter 4 - Supported Softwares</b>	
4.1 Hardware Doctor Utility.....	68
4.2 Intel 810 INF Update Utility for Windows® 95/98.....	69
4.3 Intel 810 Graphics Drivers for Windows.....	71
4.4 SoundMAX Audio Drivers for Windows.....	72
4.5 Drivers and Utilities Installation Notes.....	73



### **Note:**

The user's manual in the provided CD contains detailed information about the system board. If, in some cases, some information doesn't match those shown in this manual, this manual should always be regarded as the most updated version. To view the user's manual, insert the CD into a CD-ROM drive. The autorun screen (Main Board Utility CD) will appear. Click "User's Manual".

# Chapter I - Introduction

## Introduction

## Einleitung

## Introducción

---

### I.1 Features and Specifications

#### Caractéristiques et Spécifications

#### Leistungsmerkmale und Technische Daten

#### Características y Especificaciones

##### **English** I.1.1 Features

###### Chipset

- Intel® 810-E (CW35-E)  
Intel® 810 DC-100 (CW35-D)  
Intel® 810 (CW35-S)  
Intel® 810-L (CW35-L)

###### Processor

The system board is equipped with a switching voltage regulator that automatically detects 1.30V to 2.05V.

- Pentium® III FCPGA 133MHz FSB (533EB-866EB) processor (CW35-E)
- Pentium® III FCPGA 100MHz FSB (500E-700E) processor
- Celeron™ 66MHz FSB: FCPGA (566MHz-600MHz) or PPGA (300A-533MHz) processor

###### System Memory

- 16MB to 256MB/512MB memory using unbuffered DIMMs with 64Mbit/128Mbit technology. (You must use 32MBx64 SDRAM DIMM to support 512MB memory.)
- Two 168-pin DIMM sockets
- Uses x64 PC-100 SDRAM DIMM, 3.3V

DIMMs	Memory Size	DIMMs	Memory Size
2MBx64	16MB	16MBx64	128MB
4MBx64	32MB	32MBx64	256MB
8MBx64	64MB		

###### Expansion Slots

The system board is equipped with 3 dedicated PCI slots and 1 AMR slot. AMR (Audio/Modem Riser) is an interface designed for installing an audio riser card, modem riser card or audio/modem riser card that is compliant to the AMR specification.

###### Onboard Graphics Features

- Graphics memory
  - Shares 1MB of the system memory. This is fixed regardless of the size of the system memory.
  - Uses the Dynamic Video Memory Technology (DVMT) technology. This freely changes in size because graphics memory is allocated from the system memory according to current needs.

- 4MB onboard display cache (CW35-E and CW35-D only)
- Graphics controller
  - 100MHz (CW35-D) or 133MHz (CW35-E) super AGP performance using 4MB display cache memory
  - 3D hyper pipelined architecture
  - 2D hardware and motion video acceleration
  - 9-bit precision hardware motion compensation assistance for software MPEG2 decode
  - Software DVD at 30fps
- 2D graphics features
  - Resolution: up to 1600x1200 in 8-bit color at 85Hz refresh
  - 64-bit blitter with enhancements
  - 64x64x3 color transparent cursor
  - Arithmetic stretch blitter
- 3D graphics features
  - 600K-700K tri/sec sustained
  - 55Mpixels/sec
  - Flat and Gouraud shading
  - MIP mapping with bi-linear and anisotropic filtering
  - 16-bit color/Z-buffering
  - Discrete/strips/fans
  - Anisotropic filtering
  - Texture compositing, color keying and chroma keying
- Software drivers
  - Windows® 95/98
  - Windows NT® 4.0

#### **Onboard Audio Features**

- Supports Microsoft® DirectSound
- 32-voice wavetable synthesis
- AC'97 supported with full duplex, independent sample rate converter for audio recording and playback
- Downloadable sound (DLS) level-1

#### **Compatibility**

- Microsoft® PC '98 compliant
- VESA Display Power Management Signaling (DPMS)
- VESA DDC2B for Plug and Play monitors
- PCI 2.2, AMR 1.0 and AC'97 compliant

#### **ATX Double Deck Ports (PC 99 color-coded connectors)**

- Two USB ports
- One NS16C550A-compatible DB-9 serial port
- One DB-15 VGA port
- One SPP/ECP/EPP DB-25 parallel port
- One mini-DIN-6 PS/2 mouse port
- One mini-DIN-6 PS/2 keyboard port
- One game/MIDI port
- Three audio jacks: line-out, line-in and mic-in

#### **Connectors**

- One 9-pin connector for external serial port
- One connector for IrDA interface
- Two IDE connectors
- One floppy drive connector supports up to two 2.88MB floppy drives
- One 20-pin ATX power supply connector
- One 3-pin Wake-On-LAN connector

- CPU, chassis and second chassis fan connectors
- One opened chassis alarm connector
- Three CD audio-in connectors (2 Sony and 1 Mitsumi)
- One TAD connector for telephony audio devices

#### PCI Bus Master IDE Controller

- Two PCI IDE interfaces support up to four IDE devices
- Supports Ultra ATA/33 (CW35-L) or ATA/66 (CW35-E, CW35-D or CW35-S) hard drives
- PIO Mode 4 Enhanced IDE (data transfer rate up to 14MB/sec.)
- Bus mastering reduces CPU utilization during disk transfer
- Supports ATAPI CD-ROM, LS-120 and ZIP

#### IrDA Interface

The system board is equipped with an IrDA connector for wireless connectivity between your computer and peripheral devices. It supports peripheral devices that meet the IrDA or ASKIR standard.

#### USB Ports

The system board is equipped with two USB ports. USB allows data exchange between your computer and a wide range of simultaneously accessible external Plug and Play peripherals.

#### BIOS

- Award BIOS, Windows® 95/98 Plug and Play compatible
- Supports SCSI sequential boot-up
- Flash EPROM for easy BIOS upgrades (4Mbit)
- Includes NCR 810 SCSI BIOS
- Supports DMI 2.0 function

#### Desktop Management Interface (DMI)

The system board comes with a DMI 2.0 built into the BIOS. The DMI utility in the BIOS automatically records various information about your system configuration and stores these information in the DMI pool, which is a part of the system board's Plug and Play BIOS. DMI, along with the appropriately networked software, is designed to make inventory, maintenance and troubleshooting of computer systems easier.

### 1.1.2 System Health Monitor Functions

The system board is capable of monitoring the following "system health" conditions.

- Monitors processor/system temperature and overheat alarm
- One optional temperature sensor for user customization
- Monitors 5VSB/VBAT/1.5V/3.3V/5V/±12V/processor voltages and failure alarm
- Monitors the fan speed of the processor fan, chassis fan and second chassis fan; controls the fan speed of the processor and chassis fans; and failure alarm
- Automatic fan on/off control
- Read back capability that displays temperature, voltage and fan speed
- Opened chassis alarm
- Supports Intel® processor thermal diode output (real processor temperature)

If you want a warning message to pop-up or a warning alarm to sound when an abnormal condition occurs, you must install the Hardware Doctor utility. This utility is included in the CD that came with the system board. Refer to the Hardware Doctor Utility section in chapter 4 for more information.

### 1.1.3 Intelligence

#### Automatic CPU/Chassis Fan Off

The CPU and chassis fans will automatically turn off once the system enters the Suspend mode.

#### Dual Function Power Button

Depending on the setting in the "Soft-Off By PWR-BTTN" field of the Power Management Setup, this switch will allow the system to enter the Soft-Off or Suspend mode.

#### External Modem Ring-on

The Modem Ring-on feature allows the system that is in the Suspend mode or Soft Power Off mode to wake-up/power-on to respond to incoming calls. This feature supports external modem only.

#### RTC Timer to Power-on the System

The RTC installed on the system board allows your system to automatically power-on on the set date and time.

#### Wake-On-LAN Ready

The Wake-On-LAN function allows the network to remotely wake up a Soft Power Down (Soft-Off) PC. Your LAN card must support the remote wakeup function.



#### **Important:**

*If you are using the (1) Suspend to RAM, (2) Wake-On-Keyboard/Mouse and (3) Wake-On-LAN functions all at the same time, the 5VSB power source of your power supply must support a minimum of  $\geq 1A$ . A  $\geq 720mA$  5VSB power source is sufficient if you are using only one or two of these functions.*

#### Wake-On-Keyboard/Wake-On-Mouse

This function allows you to use the keyboard or PS/2 mouse to power-on the system. Refer to "Jumper Settings for Wake-On-Keyboard/Mouse" in chapter 2 and "Setting the Wake-On-Keyboard/Mouse Function" in chapter 3 for more information.



#### **Important:**

- *The power button will not function once a keyboard password has been set in the "KB Power On Password" field of the Integrated Peripherals submenu. You must type the correct password to power-on the system. If you forgot the password, power-off the system and remove the battery. Wait for a few seconds and install it back before powering-on the system.*
- *If you are using the (1) Suspend to RAM, (2) Wake-On-Keyboard/Mouse and (3) Wake-On-LAN functions all at the same time, the 5VSB power source of your power supply must support a minimum of  $\geq 1A$ . A  $\geq 720mA$  5VSB power source is sufficient if you are using only one or two of these functions.*

#### AC Power Failure Recovery

When power returns after an AC power failure, you may choose to either power-on the system manually, let the system power-on automatically or return to the state where you left off before power failure occurs. Refer to "Selecting the Power Lost Resume State" in chapter 3 for more information.

#### Year 2000 Compliant

- Supports hardware Y2K function.
- Supports hardware Random Number Generator (RNG) to enable a new security and manageability infrastructure for PC.

**ACPI**

The system board is designed to meet the ACPI (Advanced Configuration and Power Interface) specification. ACPI has energy saving features that enables PCs to implement Power Management and Plug-and-Play with operating systems that support OS Direct Power Management. Currently, only Windows® 98 supports the ACPI function. ACPI when enabled in the Power Management Setup will allow you to use the Suspend to RAM function.

With the Suspend to RAM function enabled, you can power-off the system at once by pressing the power button or selecting "Standby" when you shut down Windows® 98 without having to go through the sometimes tiresome process of closing files, applications and operating system. This is because the system is capable of storing all programs and data files during the entire operating session into RAM (Random Access Memory) when it powers-off. The operating session will resume exactly where you left off the next time you power-on the system. Refer to "Using the Suspend to RAM Function" in chapter 3 for more information.

**Important:**

*If you are using the (1) Suspend to RAM, (2) Wake-On-Keyboard/Mouse and (3) Wake-On-LAN functions all at the same time, the 5VSB power source of your power supply must support a minimum of  $\geq 1A$ . A  $\geq 720mA$  5VSB power source is sufficient if you are using only one or two of these functions.*

**Virus Protection**

Most viruses today destroy data stored in hard drives. The system board is designed to protect the boot sector and partition table of your hard disk drive.

Français

**1.1.1 Caractéristiques****Chipset**

- Intel® 810-E (CW35-E)
- Intel® 810 DC-100 (CW35-D)
- Intel® 810 (CW35-S)
- Intel® 810-L (CW35-L)

**Processeur**

La carte système est équipée d'un régulateur de commutation de voltage qui détecte automatiquement de 1.30V à 2.05V.

- Pentium® III FCPGA 133MHz FSB (533EB-866EB) processeur (CW35-E)
- Pentium® III FCPGA 100MHz FSB (500E-700E) processeur
- Celeron™ 66MHz FSB: FCPGA (566MHz-600MHz) ou PPGA (300A-533MHz) processeur

**Mémoire Système**

- Mémoire allant de 16Mo à 256Mo/512Mo utilisant la technologie DIMM sans mémoire tampon de 64Mo/128Mo. (Vous devez utiliser des DIMM SDRAM 32Mox64 pour supporter la mémoire de 512Mo.)
- Deux sockets DIMM 168 broches.
- Utilise x64 DIMM SDRAM PC-100, 3.3V

DIMMs	Mémoire	DIMMs	Mémoire
2MBx64	16MB	16MBx64	128MB
4MBx64	32MB	32MBx64	256MB
8MBx64	64MB		



### Logements d'Extension

La carte système est équipée de 3 logements PCI dédiés et 1 logement AMR. AMR (Riser Audio/Modem) est d'une interface destinée à l'installation d'une carte audio riser, carte modem riser ou d'une carte audio/modem réhausseur conforme aux spécifications AMR.

### Caractéristiques Graphiques sur Carte

- Mémoire graphique
  - Partage 1Mo de la mémoire système. Ceci est fixé indépendamment de la taille de la mémoire système.
  - Utilise la technologie de Dynamic Video Memory Technology (DVMT). Cela change librement de taille parce que la mémoire graphique est allouée depuis la mémoire système en fonction des besoins du moment.
  - Mémoire cache d'affichage sur carte de 4Mo (CW35-E et CW35-D seulement).
- Contrôleur Graphique
  - Performances super AGP 100MHz (CW35-D) ou 133MHz (CW35-E) utilisant 4Mo de mémoire cache d'affichage.
  - Architecture en hyper pipeline 3D
  - Accélération vidéo de matériel et de mouvement 2D
  - Assistance de compensation de mouvement de matériel de précision 9 bits pour logiciel MPEG2 décode
  - Logiciel DVD à 30fps
- Caractéristiques graphiques 2D
  - Résolution: jusqu'à 1600x1200 en 8 bits couleur à rafraîchissement en 85Hz
  - Blitter 64 bits avec améliorations
  - Curseur transparent couleur 64x64x3
  - Blitter d'étalement arithmétique
- Caractéristiques graphiques 3D
  - Maintien 600K-700K tri/sec
  - 55Mpixels/sec
  - Ombrage à Plat et Gouraud
  - MIP mappage avec filtrage bilinéaire et anisotropique
  - Mémoire tampon 16 bits couleur/Z
  - Discret/bandes/ventilateurs
  - Filtrage anisotropique
  - Composition de texture, saisie de couleur et saisie de chroma
- Logiciels Pilotes
  - Windows® 95/98
  - Windows NT® 4.0

### Caractéristiques Audio sur Carte

- Supporte DirectSound de Microsoft®
- Synthèse wavetable 32 Voies
- AC'97 supporté avec full duplex, convertisseur de vitesse d'échantillonnage indépendant pour enregistrement audio et lecture.
- Son (DLS) Niveau-1 téléchargeable.

### Compatibilité

- Compatible Microsoft® PC '98
- Signalisation de Gestion d'Alimentation d'Affichage (DPMS) VESA
- VESA DDC2B pour moniteurs Plug & Play
- Compatible PCI 2.2, AMR 1.0 et AC'97

### Ports Double Module ATX (Connecteurs PC 99 avec codes couleur)

- Deux Ports USB
- Un port série DB-9 compatible NS16C550A

- Un port VGA DB-15
- Un port parallèle DB-25 SPP/ECP/EPP
- Un port souris PS/2 mini-DIN-6
- Un port clavier PS/2 mini-DIN-6
- Un port jeu/MIDI
- Trois prises audio: ligne de sortie (line-out), ligne d'entrée (line-in) et entrée micro (mic-in)

#### Connecteurs

- Un connecteur 9 broches pour port série externe
- Un connecteur pour interface IrDA
- Deux connecteurs IDE
- Un connecteur de lecteur de disquettes supportant jusqu'à deux lecteurs de disquettes de 2.88Mo
- Un connecteur d'alimentation ATX 20 broches
- Un connecteur Wake-On-LAN 3 broches
- Connecteurs de ventilateurs de CPU, de châssis et de second ventilateur de châssis
- Connecteur d'alarme de châssis ouvert
- Trois connecteurs d'entrée audio CD (2 Sony et 1 Mitsumi)
- Un connecteur TAD pour les matériels de téléphonie audio

#### Contrôleur IDE de BUS Maître PCI

- Deux interfaces PCI IDE supportant jusqu'à quatre matériels IDE
- Supporte des disques durs Ultra ATA/33 (CW35-L) ou ATA/66 (CW35-E, CW35-D ou CW35-S)
- IDE Améliorés Mode 4 PIO (vitesse de transfert de données allant jusqu'à 14Mo/sec.)
- La gestion de Bus réduit l'utilisation du CPU pendant les transferts sur disque
- Supporte les CD-ROM ATAPI, LS-120 et ZIP

#### Interface IrDA

La carte système est équipée d'un connecteur IrDA pour les connexions sans fil entre votre ordinateur et des périphériques. Il supporte les périphériques qui sont conformes aux standards IrDA ou ASKIR.

#### Ports USB

La carte système est équipée de deux ports USB. USB permet l'échange de données entre votre ordinateur et un grande éventail de périphériques externes "Plug and Play" accessibles simultanément.

#### BIOS

- Compatible avec Award BIOS, Windows® 95/98 Plug and Play
- Supporte l'amorçage séquentiel SCSI
- EPROM Flash pour une mise à niveau facile du BIOS (4Mbits)
- Comprend le BIOS NCR 810 SCSI
- Supporte la fonction DMI 2.0

#### Interface de Gestion de Bureau (DMI)

La carte système est livrée avec un DMI 2.0 intégré au BIOS. L'utilitaire DMI dans le BIOS enregistre automatiquement diverses informations concernant la configuration de votre système et stocke ces informations dans la liste DMI, qui est une partie du BIOS "Plug and Play" de la carte système. DMI, accompagné du logiciel en réseau approprié, est conçu pour rendre l'inventaire, l'entretien et le dépannage du système de l'ordinateur plus facile.

### 1.1.2 System Health Monitor Fonctions

La carte système est capable de gérer les conditions de "santé système" suivantes.

- Gère l'alarme de température et de surchauffe de processeur / de système
- Un capteur de température optionnel pour personnalisation utilisateur
- Gère l'alarme de voltage et d'échec de 5VSB/VBAT/1.5V/3.3V/5V/±12V/ processeur
- Gère la vitesse de ventilateur du ventilateur de processeur, de ventilateur de châssis et de second ventilateur de châssis; contrôle la vitesse de ventilateur des ventilateurs de processeur et de châssis; et alarme de défaillance.
- Contrôle automatique de marche/arrêt de ventilateur
- Capacité de relecture qui affiche la température, le voltage et la vitesse de ventilateur
- Alarme de châssis ouvert
- Support la diode thermique de sortie de processeur Intel® (température réelle de processeur).

Si vous désirez qu'un message d'avertissement apparaisse ou qu'une alarme retentisse lorsque qu'une condition anormale se produit, vous devez installer l'utilitaire Hardware Doctor. Cet utilitaire est compris dans le CD qui est livré avec la carte système. Reportez vous à la section concernant l'Utilitaire Hardware Doctor dans le chapitre 4 pour de plus amples informations.

### 1.1.3 Intelligence

#### Arrêt automatique de Ventilateur de CPU/Châssis

Les ventilateurs de CPU et de châssis s'arrêteront automatiquement une fois que le système est entré en mode Suspension.

#### Bouton d'Alimentation à Fonction Double

En fonction du paramétrage dans le champ "Soft-Off By PWR-BTTN" du Programme d'Installation de la Power Management Setup, ce commutateur permettra à votre système d'entrer en mode Soft-Off ou Suspension.

#### Modem Ring-on Externe

La fonction Modem Ring-on permet au système qui se trouve en mode Suspension ou en mode Soft Power Off de se réveiller / s'allumer afin de répondre à un appel. Cette fonction supporte le modem externe seulement.

#### Minuterie RTC pour Allumer le Système

Le RTC installé sur la carte système permet à votre système de s'allumer automatiquement à une date et heure présélectionnée.

#### Wake-On-LAN Prêt

La fonction Wake-On-LAN permet au réseau de réveiller à distance un PC Mis Hors Tension par Logiciel (Soft Power Down ou Soft- Off). Votre carte LAN doit supporter la fonction de réveil à distance.



#### **Important:**

*Si vous utilisez les fonctions (1) Suspension sur RAM, (2) Réveil-Sur-Clavier/ Souris (Wake-On-Keyboard/Mouse), et (3) Réveil-Sur-LAN (Wake-On-LAN) toutes en même temps, assurez vous que la source d'alimentation 5VSB supporte un minimum de ≥1A. Si vous utilisez seulement une ou deux de ces fonctions, ≥720mA sont suffisants.*

#### Réveil-Sur-Clavier/Réveil-Sur-Souris

Cette fonction vous permet d'utiliser le clavier ou la PS/2 souris pour allumer le système. Reportez vous à "Positionnement des Cavaliers pour Réveil-Sur-Clavier/

Souris" dans le chapitre 2 et à "Activer la Fonction Réveil-Sur-Clavier/Souris" dans le chapitre 3 pour plus d'informations.



**Important:**

- Le bouton d'alimentation ne fonctionnera plus une fois que le mot de passe de clavier aura été paramétré dans le champ "KB Power On Password" du sous menu de Integrated Peripherals. Vous devez taper le mot de passe correct pour allumer le système. Si vous avez oublié le mot de passe, éteignez le système et retirez la batterie. Attendez quelques secondes et réinstallez-la avant de rallumer le système.
- Si vous utilisez les fonctions (1) Suspension sur RAM, (2) Réveil-Sur-Clavier/Souris (Wake-On-Keyboard/Mouse), et (3) Réveil-Sur-LAN (Wake-On-LAN) toutes en même temps, assurez vous que la source d'alimentation 5VSB supporte un minimum de  $\geq 1A$ . Si vous utilisez seulement une ou deux de ces fonctions,  $\geq 720mA$  sont suffisants.

**Récupération après Défaillance d'Alimentation CA**

Quand l'alimentation revient après une défaillance d'alimentation CA, vous pouvez choisir d'allumer le système manuellement, de laisser le système s'allumer automatiquement ou de retourner à l'état que vous aviez quitté avant que la défaillance d'alimentation se produise. Reportez vous à "Choisir l'état de Redémarrage Après Coupure de Courant" dans le Chapitre 3 pour plus d'informations.

**Conformité An 2000**

- Supporte la fonction matériel Y2K.
- Supporte le Générateur de Nombre Aléatoire (RNG) de matériel pour permettre une nouvelle infrastructure de sécurité et de gestion pour PC.

**ACPI**

La carte système est conçue de façon à être conforme aux spécifications ACPI (Configuration Avancée et Interface d'Alimentation). ACPI comporte une fonction d'économie d'énergie qui permet aux PC de mettre en œuvre la Gestion d'Alimentation et "Plug and Play" avec des systèmes d'exploitation qui supportent la Gestion d'Alimentation Directe de Système d'Exploitation. Actuellement, seulement Windows® 98 supporte la fonction ACPI. Quand ACPI est activé dans le Programme de Power Management Setup, cela vous permet d'utiliser la fonction de Suspension sur RAM.

Quand la fonction de Suspension sur RAM est activée, vous pouvez éteindre le système immédiatement en appuyant sur le bouton d'alimentation ou en sélectionnant "Veille" quand vous éteignez Windows® 98 sans avoir à passer par le processus quelquefois ennuyeux de fermeture des fichiers, des applications et du système d'exploitation. Ceci est du au fait que le système est capable de stocker tous les fichiers programmes et de données pendant toute la session d'utilisation dans la RAM (Mémoire à Accès Aléatoire) lorsque qu'il s'éteint. La session d'utilisation reprendra exactement où vous l'avez laissée la prochaine fois que vous allumerez le système. Reportez vous à "Utilisation de la Fonction de Suspension sur RAM" dans le Chapitre 3 pour plus d'informations.



**Important:**

Si vous utilisez les fonctions (1) Suspension sur RAM, (2) Réveil-Sur-Clavier/Souris (Wake-On-Keyboard/Mouse), et (3) Réveil-Sur-LAN (Wake-On-LAN) toutes en même temps, assurez vous que la source d'alimentation 5VSB supporte un minimum de  $\geq 1A$ . Si vous utilisez seulement une ou deux de ces fonctions,  $\geq 720mA$  sont suffisants.

### Protection contre les Virus

La plupart des virus détruisent les données stockées sur les disques durs. La carte système est conçue pour protéger le secteur d'amorçage et la table de partition de votre disque dur.

Deutsch

## 1.1.1 Leistungsmerkmale

### Chipset

- Intel® 810-E (CW35-E)
- Intel® 810 DC-100 (CW35-D)
- Intel® 810 (CW35-S)
- Intel® 810-L (CW35-L)

### Prozessor

Die Systemplatine ist mit einem Spannungsregler ausgestattet, durch welchen automatisch Spannungen von 1,30V bis 2,05V festgestellt werden.

- Pentium® III FCPGA 133MHz FSB (533EB-866EB) prozessor (CW35-E)
- Pentium® III FCPGA 100MHz FSB (500E-700E) prozessor
- Celeron™ 66MHz FSB: FCPGA (566MHz-600MHz) oder PPGA (300A-533MHz) prozessor

### Systemspeicher

- Speicher von 16MB bis 256MB/512MB mit DIMMs ohne Puffer mit 64Mbit/128Mbit (zum Unterstützen des 512MB-Speichers muß der 32MB'64 SDRAM-DIMM benutzt werden).
- Zwei DIMM-Fassungen mit 168poligem Anschlußstecker.
- Anwendung des '64 PC-100 SDRAM-DIMMs, 3,3V.

DIMMs	Speicher	DIMMs	Speicher
2MBx64	16MB	16MBx64	128MB
4MBx64	32MB	32MBx64	256MB
8MBx64	64MB		

### Erweiterungssteckfassungen

Die Systemplatine ist mit 3 dedizierten PCI-Steckfassungen und 1 AMR-Steckfassung ausgestattet. AMR (Audio-/Modem-Riser) ist eine Schnittstelle für die Installation einer Audio-Riserkarte, einer Modem-Riserkarte oder einer Audio-/Modem-Riserkarte, die der AMR-Vorschrift entspricht.

### Grafikmerkmale auf Platine

- Grafikspeicher
  - Gemeinsame Anwendung von 1MB des Systemspeichers. Dies wurde ungeachtet der Größe des Systemspeichers fest eingestellt.
  - Anwendung der Technik des Dynamic Video Memory Technology (DVMT). Die Größe dieses Speichers ist flexibel, da der Grafikspeicher durch den Systemspeicher je nach aktueller Anforderung zugeordnet wird.
  - 4MB-Anzeige-Cache auf Platine (nur für CW35-E und CW35-D).
- Grafik-Controller
  - 100MHz (CW35-D) oder 133MHz (CW35-E) Super-AGP-Leistung mit einem Anzeige-Cache-Speicher von 4MB.
  - 3D-Hyper-Pipeline-Architektur.
  - 2D-Hardware- und Bewegungsverarbeitung.
  - 9-Bit-Präzisions-Hardware-Bewegungsausgleichshilfe für die Dekodierung der MPEG2-Software.
  - Software-DVD mit 30 Bildern pro Sekunde.

- 2D-Grafikmerkmale
  - Auflösungsvermögen: bis zu 1600'1200 in 8-Bit-Farben mit einer Aktualisierungsrate von 85Hz.
  - 64-Bit-Blitter mit Verstärkungen.
  - Farbtransparenter Cursor; 64'64'3.
  - Arithmetisches Stretch-Blitter
- 3D-Grafikmerkmale
  - Unterstützt 600K-700K tri/Sek.
  - 55Mpixels/Sek.
  - Flache und Gouraud-Schattierung
  - MIP-Abilden mit bilinearer und anisotroper Filterung
  - 16-Bit-Farben/Z-Puffern
  - Diskret/Streifen/Ventilator
  - Anisotropische Filterung
  - Texturkomposition und Farbnuancierung
- Softwaretreiber
  - Windows® 95/98
  - Windows NT® 4.0

#### **Audiomerkmale auf Platine**

- Unterstützung des Microsoft® DirectSound
- 32-Stimmen-Wavetable-Synthese
- AC'97 mit Unterstützung des Vollduplexbetriebs, unabhängigem Abstratenumwandler für die Aufnahme und Wiedergabe
- Herunterladbarer Klang (DLS) Niveau-I

#### **Kompatibilität**

- Kompatibilität mit Microsoft® PC '98
- VESA-Bildschirm mit Energieverwaltungs-Signalisierung (DPMS)
- VESA-DDC2B-Monitore für Plug and Play
- Kompatibilität mit PCI 2.2, AMR 1.0 und AC'97

#### **ATX-Zweietagen-Anschlüsse (PC 99 mit farbkodierten Steckverbindungen)**

- Zwei USB-Anschlüsse
- Ein serieller DB-9-Anschluß, kompatibel mit NS16C550A
- Ein DB-15-VGA-Anschluß
- Ein DB-25-Parallelanschluß SPP/ECP/EPP
- Ein Mini-DIN-6-Anschluß für eine PS/2-Maus
- Ein Mini-DIN-6-Anschluß für eine PS/2-Tastatur
- Ein Spiel-/MIDI-Anschluß
- Drei Audio-Anschlußbuchsen: Ausgangsleitung, Eingangsleitung und Mikrofon-Eingang

#### **Anschlußstecker**

- Ein 9poliger Anschlußstecker für den externen seriellen Anschluß
- Ein Anschluß für die IrDA-Schnittstelle
- Zwei IDE-Anschlüsse
- Unterstützung von bis zu zwei 2,88MB-Floppylaufwerken durch einen Floppylaufwerksanschluß
- Ein 20poliger Anschlußstecker für das ATX-Netzgerät
- Ein 3poliger Anschlußstecker für Wecken durch LAN
- CPU-, Chassis- und zweiter Chassisventilator-Anschlüsse.
- Ein Anschluß für akustische Warnsignale bei geöffneter Chassis
- Drei CD-Eingangsanschlüsse (2 Sony und 1 Mitsumi)
- Ein TAD Anschlußteil für Fernsprechaudiogeräte

#### **PCI-Bus-Master-IDE-Controller**

- Unterstützung von bis zu vier IDE-Geräten durch zwei PCI-IDE-Schnittstellen.

- Unterstützung der Festplatten Ultra ATA/33 (CW35-L) oder ATA/66 (CW35-E, CW35-D oder CW35-S).
- Erweitertes IDE des PIO-Modus 4 (Datenübertragungsgeschwindigkeit von bis zu 14MB/Sek).
- Verminderte CPU-Benutzung während Diskettenübertragung dank dem Bus-Master.
- Unterstützung des ATAPI CD-ROMs, LS-120 und ZIP.

#### **IrDA-Schnittstelle**

Die Systemplatine ist mit einem IrDA-Anschluß versehen, durch welche eine kabellose Verbindung zwischen Ihrem Computer und Peripheriegeräten hergestellt werden kann. Diese Schnittstelle unterstützt Peripheriegeräte, die der IrDA und ASKIR-Norm entsprechen.

#### **USB-Anschlüsse**

Die Systemplatine ist mit zwei USB-Anschlüssen versehen. Durch USB können Daten zwischen Ihrem Computer und einer großen Auswahl an gleichzeitig zugänglichen externen "Plug and Play" Peripheriegeräten ausgetauscht werden.

#### **BIOS**

- Kompatibilität mit Award BIOS, Windows® 95/98 Plug and Play
- Unterstützung des sequentiellen SCSI-Ladens
- Flash EPROM für ein einfaches Aktualisieren des BIOS (4Mbit)
- Mit NCR 810 SCSI BIOS
- Unterstützung der DMI-2.0-Funktion

#### **Desktop-Management-Schnittstelle (DMI)**

Die Systemplatine ist mit einem DMI 2.0 ausgestattet, die im BIOS integriert ist. Durch das DMI-Dienstprogramm im BIOS werden automatisch verschiedene Informationen über die Konfiguration Ihres Systems registriert, wonach diese Informationen im DMI-Speicher gespeichert werden. Dieser DMI-Speicher bildet einen Teil des "Plug and Play" BIOS und des DMI der Systemplatine, zusammen mit der richtig mit dem Netzwerk verbundenen Software. Auf diese Weise soll der Unterhalt und die Fehlersuche des PC-Systems erleichtert werden.

### **1.1.2 System Health Monitor Funktions**

Durch die Systemplatine können die folgenden "gesundheitlichen Bedingungen" Ihres Systems überwacht werden.

- Überwachung der Temperatur der Prozessoren/des Systems sowie Warnsignal bei Überhitzung.
- Ein optionaler Temperaturfühler für die benutzerspezifische Anpassung
- Überwachung der Spannungen des 5VSB/VBAT/1,5V/3,3V/5V/±12V/ Prozessoren sowie Warnsignal bei Ausfall.
- Überwachung der Geschwindigkeit des Prozessor-Ventilators, Chassisventilators und des zweiten Chassisventilators. Steuert die Geschwindigkeit des Prozessor-Ventilators und des Chassisventilators und sendet ein Warnsignal bei einem Ausfall aus.
- Automatisches Ein-/Aussschalten des Ventilators.
- Anzeige der Temperatur, Spannung und Geschwindigkeit des Ventilators.
- Warnsignal bei geöffneter Chassis.
- Unterstützung des Thermiodienausgangs des Intel®-Prozessors (reelle Temperatur des Prozessors)

Soll bei Auftreten einer abnormalen Situation eine Warnmeldung erscheinen oder ein akustisches Warnsignal abgegeben werden, muß das Hardware-Doktor-Dienstprogramm installiert werden. Dieses Dienstprogramm ist auf der CD enthalten, welche mit der Systemplatine geliefert wurde. Weitere Einzelheiten finden Sie unter dem Abschnitt des Hardware-Doktor-Dienstprogramm in Kapitel 4.

### 1.1.3 Intelligente Ausstattungsteile

#### Automatisches Ausschalten des CPU-/Chassis-Ventilators

Die CPU- und Chassisventilatoren werden automatisch ausgeschaltet, wenn das System in den Suspendier-Modus geschaltet wird.

#### Netzschalter mit doppelter Funktion

Je nach der Einstellung im Feld "Soft-Off By PWR-BTTN" im Power Management Setup kann das System durch diesen Schalter ausgeschaltet oder in den Suspendier-Modus geschaltet werden.

#### Wecken des externen Modems bei eingehendem Anruf

Durch dieses Merkmal zum Wecken des Modems bei eingehendem Anruf kann das System, welches sich im Suspendier-Modus befindet oder ausgeschaltet wurde, durch einen eingehenden Anruf geweckt/eingeschaltet werden, um eingehende Anrufe zu beantworten. Dieses Merkmal unterstützt nur externe Modems.

#### RTC-Taktgeber zum Einschalten des Systems

Durch den auf der Systemplatine installierten RTC kann Ihr System automatisch am eingestellten Datum und zur eingestellten Uhrzeit eingeschaltet werden.

#### Wecken bei LAN-Bereitschaft

Durch die Funktion "Wecken bei LAN-Bereitschaft" kann ein ausgeschalteter PC ferngesteuert durch das Netzwerk eingeschaltet werden. Ihre LAN-Karte muß dazu jedoch die Weckfunktion durch Fernsteuerung unterstützen.



#### **Wichtig:**

Falls das (1) Suspendieren auf RAM, (2) das Aktivieren durch Tastatur/Maus und die (3) Wecken-auf-LAN-Funktionen alle gleichzeitig angewendet werden, muß sichergestellt werden, daß die 5VSB-Stromversorgung mindestens  $\geq 1A$  unterstützt. Falls jedoch nur eine oder zwei dieser Funktionen angewendet werden, genügen  $\geq 720mA$ .

#### Wecken bei Betätigung der Tastatur/Maus

Mit dieser Funktion kann das System durch die Tastatur oder PS/2 Maus eingeschaltet werden. Weitere Einzelheiten finden Sie unter "Jumpereinstellungen für die Wake-On Tastatur/Maus" in Kapitel 2 und "Aktivieren der Wake-On Tastatur/Maus Funktion" in Kapitel 3.



#### **Wichtig:**

- Der Netzschalter bleibt wirkungslos, nachdem ein Tastaturen-Kennwort im Feld "KB Power On Password" im Submenü der Integrated Peripherals bestimmt wurde. Zum Einschalten des Systems müssen Sie das richtige Kennwort eingeben. Falls Sie das Kennwort vergessen haben, schalten Sie das System aus und nehmen Sie die Batterie heraus. Warten Sie einige Sekunden und setzen Sie sie danach wieder ein, bevor Sie das System erneut einschalten.
- Falls das (1) Suspendieren auf RAM, (2) das Aktivieren durch Tastatur/Maus und die (3) Wecken-auf-LAN-Funktionen alle gleichzeitig angewendet werden, muß sichergestellt werden, daß die 5VSB-Stromversorgung mindestens  $\geq 1A$  unterstützt. Falls jedoch nur eine oder zwei dieser Funktionen angewendet werden, genügen  $\geq 720mA$ .

#### Wiederherstellung der Wechselstromversorgung nach einem Ausfall

Bei der Wiederherstellung der Stromversorgung nach einem Ausfall kann das System entweder manuell oder automatisch eingeschaltet werden, oder Sie können den Betrieb des Systems an der Stelle fortsetzen, wo der Betrieb durch den Stromausfall unterbrochen wurde. Weitere Einzelheiten finden Sie unter "Auswählen des PWR Lost Resume Status" in Kapitel 3.



**Kompatibilität mit Jahr 2000**

- Unterstützung der Hardware-Y2K-Funktion.
- Unterstützung der Hardware-Zufallszahlengenerator (RNG), um eine neue Sicherheit und benutzerfreundliche Infrastruktur des PCs zu ermöglichen.

**ACPI**

Diese Systemplatine entspricht der ACPI-Vorschrift (Erweiterte Konfiguration und Leitungsschnittstelle). ACPI besitzt Energiesparfunktionen, die es dem PC ermöglichen, das Power-Management und "Plug and Play" mit Betriebssystemen anzuwenden, durch welche das direkte OS-Power-Management unterstützt wird. Gegenwärtig wird die ACPI-Funktion nur durch Windows® 98 unterstützt. Die Suspendieren-auf-RAM-Funktion kann angewendet werden, wenn ACPI im Power-Management-Setup aktiviert ist.

Wurde die Suspendieren-auf-RAM-Funktion aktiviert, kann das System umgehend durch Drücken des Netzschalters oder durch Auswählen von "Standby" beim Herunterfahren des Windows® 98 ausgeschaltet werden, ohne daß Sie dabei den manchmal mühsamen Vorgang zum Schließen aller Dateien, Anwendungsprogramme und des Betriebssystems durchmachen müssen, da das System imstande ist, sämtliche Programme und Dateien während dem ganzen Arbeitsabschnitt beim Ausschalten in den RAM (Direktzugriffsspeicher) zu speichern. Beim nächsten Einschalten des Systems wird der Arbeitsabschnitt genau an der Stelle fortgesetzt, wo Sie ihn unterbrochen haben. Weitere Einzelheiten finden Sie unter "Anwendung der Funktion Suspendieren auf RAM" in Kapitel 3.

**Wichtig:**

Falls das (1) Suspendieren auf RAM, (2) das Aktivieren durch Tastatur/Maus und die (3) Wecken-auf-LAN-Funktionen alle gleichzeitig angewendet werden, muß sichergestellt werden, daß die 5VSB-Stromversorgung mindestens  $\geq 1A$  unterstützt. Falls jedoch nur eine oder zwei dieser Funktionen angewendet werden, genügen  $\geq 720mA$ .

**Virusschutz**

Durch die meisten Viren werden heutzutage Daten auf Festplatten zerstört. Diese Systemplatine wurde so entworfen, um dem Boot-Sektor und der Partitionstabelle Ihres Festplattenlaufwerkes einen entsprechenden Schutz zu bieten.

Español

**1.1.1 Características****Chipset**

- Intel® 810-E (CW35-E)
- Intel® 810 DC-100 (CW35-D)
- Intel® 810 (CW35-S)
- Intel® 810-L (CW35-L)

**Procesador**

El tablero de sistema es equipado con el regulador de voltaje de cambio que detecta automáticamente 1.30V a 2.05V.

- Pentium® III FCPGA 133MHz FSB (533EB-866EB) procesador (CW35-E)
- Pentium® III FCPGA 100MHz FSB (500E-700E) procesador
- Celeron™ 66MHz FSB: FCPGA (566MHz-600MHz) o PPGA (300A-533MHz) procesador

**Memoria de Sistema**

- Memoria de 16MB a 256MB/512MB utilizando no memoria intermedia de DIMMs con la tecnología de 64Mbit/128Mbit. (Usted debe utilizar 32MBx64 SDRAM DIMM para soportar memoria de 512MB.)
- Dos enchufes de 168-terminales DIMM
- Utiliza x64 PC-100 SDRAM DIMM, 3.3V

DIMMs	Memoria	DIMMs	Memoria
2MBx64	16MB	16MBx64	128MB
4MBx64	32MB	32MBx64	256MB
8MBx64	64MB		

### Ranuras de Expansión

El tablero de sistema es equipado con 3 ranuras de PCI dedicados y 1 ranura de AMR. AMR (Audio/Contrahuella de Módem) es un interfaz diseñado para instalar la tarjeta de audio contrahuella, tarjeta de contrahuella módem o tarjeta de contrahuella audio/módem que es complaciente a la especificación de AMR.

### Características de Gráficas En tablero

- Memoria Gráficas
  - Comparte 1MB de la memoria de sistema. Este es arreglado la indiferencia de tamaño del sistema de memoria.
  - Utiliza la tecnología de Dynamic Video Memory Technology (DVMT). Este cambio sin restricción en tamaño porque la memoria de gráfica es situada desde la memoria de sistema según las necesidades corrientes.
  - Caché de visualización en tablero de 4MB (sólo CW35-E y CW35-D).
- Controlador de gráficas
  - 100MHz (CW35-D) o 133MHz (CW35-E) super ejecución de AGP utilizando la memoria caché de visualización de 4MB.
  - Arquitectura hiperanalizada de 3D
  - Hardware de 2D y aceleración de video de movimiento
  - Asistencia de compensación de movimiento de hardware de precisión de 9-bitios para la decodificación de MPEG2 del software.
  - DVD de software en 30fps
- Características de gráficas de 2D
  - Resolución: hasta 1600x1200 en color de 8-bitios en 85Hz regenerada
  - 64-bitios blitter con realzamientos
  - Cursor transparente de color de 64x64x3
  - Blitter de extensión aritmética.
- Características de gráficas de 3D
  - 600K-700K tri/seg sostenido
  - 55 Mpíxeles/seg
  - Sombra de Flar y Gouraud
  - Mapa de MIP con filtración bi-lineal y anisótropo
  - Color de 16-bitios/Z-de memoria intermedia
  - Discreción/tiras/abanicos
  - Filtración anisótropo
  - Composición de textura, tecleo de color y tecleo de cromático
- Programas instaladores de software
  - Windows® 95/98
  - Windows NT® 4.0

### Características de Audio En tablero

- Soporta Sonido Directo de Microsoft®
- Síntesis ondurada de 32-voces
- AC'97 soportado con convertidor de tasa de muestra independiente, doble completo para la grabación y playback del audio
- Sonido copiable (DLS) nivel-1

### Compatibilidad

- Sumisión de Microsoft® PC '98
- Señal de Administración de Energía de Visualización VESA (DPMS)

- VESA DDC2B para monitores de Enchufar y Usar
- Sumisión de PCI 2.2, AMR 1.0 y AC'97.

#### **Puertos de Cubierta Doble de ATX (Conectores de PC 99 color-cifrado)**

- Dos puertos de USB
- Un puerto de serie DB-9 NS16C550A-compatible
- Un puerto de VGA DB-15
- Un puerto paralelo de SPP/ECP/EPP DB-25
- Un puerto de ratón PS/2 mini-DIN-6
- Un puerto de teclado mini-DIN-6 PS/2
- Un puerto de juego/MIDI
- Tres enchufes de audio: línea de salida, línea de entrada y mic de entrada

#### **Conectores**

- Un conector de 9-terminales para puerto de serie externo
- Un conector para interfaz de IrDA
- Dos conectores de IDE
- Un conector de disquete soporta hasta dos disquetes de 2.88MB
- Un conector de fuente de alimentación de ATX de 20-terminales
- Un conector de Wake-On-LAN de 3-terminales
- Conectores de CPU, chasis y abanicos de chasis
- Un conector de alarma de chasis abierto
- Tres conectores de entrada de audio de CD (2 Sony y 1 Mitsumi)
- Un conector de TAD para los dispositivos de audio telefónico

#### **Controlador de IDE Maestro de Bus PCI**

- Dos interfaces de PCI IDE soporta hasta 4 dispositivos de IDE
- Soporta las unidades duras de Ultra ATA/33 (CW35-L) o ATA/66 (CW35-E, CW35-D o CW35-S).
- PIO Modo 4 Realzada IDE (tasa de transferencia de dato hasta 14MB/seg.)
- Controlación de Bus reduce la utilización de CPU durante la transferencia de disco
- Soporta ATAPI CD-ROM, LS-120 y ZIP

#### **Interfaz de IrDA**

El tablero de sistema es equipado con el conector de IrDA para la conexión de radiotelegráfico entre su computadora y dispositivos de periferia. Soporta dispositivos de periferia que se encuentra con el estándar de IrDA o ASKIR.

#### **Puertos de USB**

El tablero de sistema es equipado con dos puertos de USB. USB permite el intercambio de dato entre su computadora y un intervalo amplio de periferias de Enchufar y Usar externa accesible.

#### **BIOS**

- Premio BIOS, Windows® 95/98 Enchufar y Usar compatible
- Soporta el inicio de secuencia de SCSI
- Parpadea EPROM para fácil actualización de BIOS (4Mbitios)
- Incluye NCR 810 SCSI BIOS
- Soporta la función de DMI 2.0

#### **Interfaz de Administración de Desktop (DMI)**

El sistema de tablero viene con DMT 2.0 establecido en el BIOS. La utilidad del DMI en el BIOS graba automáticamente varias informaciones sobre la configuración de su sistema y almace estas informaciones en la balsa de DMI, que es parte del tablero de sistema Enchufar y Usar BIOS. DMI junto con software de red apropiado, es diseñado para hacer más fácil el inventario, mantenimiento y procedimiento para solucionar problema de los sistemas de computadora.

### 1.1.2 Funciones de Monitor de Salud del Sistema

El tablero de sistema es capaz de vigilar las siguientes condiciones de "salud de sistema".

- Monitores de los procesador/sistema temperaturas y alarma acalorada.
- Un sensor de temperatura opcional para adaptación del usuario
- Monitores de voltajes de procesador de 5VSB/VBAT/1.5V/3.3V/5V/±12V/ y alarma de fracaso.
- Vigila la velocidad del abanico del abanico del procesador; abanico de chasis y abanico de chasis secundario; controla la velocidad del abanico del procesador y de los abanicos de chasis; y alarma de fracaso.
- Control encendido/apagado del abanico automático.
- Capacidad de Leer hacia atrás que presenta la temperatura, voltaje y velocidad de abanico.
- Alarma de chasis abierto.
- Soporta salida de diodo termal del procesador Intel® (temperatura real del procesador)

Si quiere usted que extraiga un mensaje de advertencia o que sonara un alarma de advertencia cuando ocurre una condición anormal, usted debe instalar la sección de Utilidad de Doctor de Hardware en el capítulo 4 para más información.

### 1.1.3 Inteligencia

#### Abanico Apagado de CPU/Chasis automático.

Los abanicos de chasis y CPU apagarán automáticamente una vez que el sistema entra al modo de Suspende:

#### Botón de Energía de Doble Función

Dependiendo en la configuración en el campo de "Soft-Off By PWR-BTTN" de la Configuración de Power Management Setup, este interruptor permite el sistema de entrar al modo de Soft-Off o Suspende.

#### Timbre encendida del Módem Externo

La característica de Timbre encendida del Módem Externo permite el sistema que es en el modo de Suspende o en el modo de Soft Apagado para despertar/encender a las llamadas entrantes. Esta característica soporta sólo el módem externo.

#### Temporizador de RTC para Encender el Sistema

El RTC instalado en el tablero de sistema permite su sistema de encender automáticamente en la fecha y el tiempo configurado.

#### Listo el Wake-On-LAN

La función de Wake-On-LAN permite el red de despertar remotamente el PC de Apagar de Soft (Soft-Off). Su tarjeta de LAN debe soportar la función de despertar remoto.



#### **Importante:**

*Si usted está utilizando el (1) Suspende a RAM, (2) Teclado/Ratón de Despertar, y (3) funciones de Wake-On-Lan todo en el mismo tiempo, asegura el origen de energía de 5VSB soporta mínimo de  $\geq 1A$ . Si está utilizando sólo uno o dos de estas funciones,  $\geq 720mA$  es suficiente.*

#### Teclado de Wake-On / Ratón de Wake-On

Esta función le permite utilizar el teclado o PS/2 ratón para encender el sistema. Consultar las "Configuraciones de Saltador para Teclado/Ratón Despertar" en el

capítulo 2 y “Configurando la Función de Despertarse el Teclado/Ratón” en el capítulo 3 para más información.



**Importante:**

- El botón de energía no funcionará una vez que la contraseña del teclado ha sido configurado en el campo de “KB Power On Password” del submenú *Integrated Peripherals*. Usted debe teclear la contraseña correcta para encender el sistema. Si se le olvidó la contraseña, apaga su sistema y quite la batería. Espera por unos segundos e instálalo de vuelta antes de encender el sistema.
- Si usted está utilizando el (1) *Suspender a RAM*, (2) *Teclado/Ratón de Despertar*, y (3) *funciones de Wake-On-Lan todo en el mismo tiempo*, asegura el origen de energía de 5VSB soporta mínimo de  $\geq 1A$ . Si está utilizando sólo uno o dos de estas funciones,  $\geq 720mA$  es suficiente.

**Recuperación de Fracaso de Energía AC**

Cuando la energía vuelve después del fracaso de energía AC, usted puede elegir a encender su sistema manualmente, dejar el sistema de encender automáticamente o volver al estado donde usted dejó antes de ocurrir el fracaso de energía. Consultar “Seleccionando el Estado de Reanudar de la Pérdida de Energía” en el capítulo 3 para más información.

**Sumisión del Año 2000**

- Soporta la función Y2K de hardware
- Soporta Generador de Número Casual (RNG) de hardware para activar la nueva seguridad y infraestructura manejable para PC.

**ACPI**

El tablero de sistema es diseñado para encontrar con la especificación de ACPI (Configuración Avanzada e Interfaz de Energía). ACPI tiene las características de archivación de energía que activa PC para ejecutar la Administración de Energía y Enchufar y Usar con los sistemas operativos que soporta la Administración de Energía Directa de OS. Corrientemente, sólo Windows® 98 soporta la función de ACPI. ACPI cuando activado en la Power Management Setup le permitirá de utilizar la función de *Suspender a RAM*.

Con la función de *Suspender a RAM* activada, usted puede apagar el sistema una vez por presionando el botón de energía o seleccionando “Preparado” cuando apaga el Windows® 98 sin tener que ir por el proceso de molesto algunas veces de los archivos cerrados., aplicaciones y sistema operativo. Esto es porque el sistema es capaz de almacenar todos los archivos de programas y datos durante la sesión operativa entera dentro de RAM (Memoria de Acceso Casual) cuando es apagado. La sesión operativa resumirá exactamente donde usted dejará la próxima vez que encienda la computadora. Consultar a “Utilizando la Función de *Suspender a RAM*” en el capítulo 3 para más información.



**Importante:**

*Si usted está utilizando el (1) *Suspender a RAM*, (2) *Teclado/Ratón de Despertar*, y (3) *funciones de Wake-On-Lan todo en el mismo tiempo*, asegura el origen de energía de 5VSB soporta mínimo de  $\geq 1A$ . Si está utilizando sólo uno o dos de estas funciones,  $\geq 720mA$  es suficiente.*

**Protección de Virus**

La mayoría de los virus de hoy destruye el dato almacenado en los discos duros. El tablero de sistema es diseñado para proteger el sector de inicio y tabla de partición de su unidad de disco duro.

## Introduction .....

### 1.2 Package Checklist

#### Liste de Vérification de l'Emballage

#### Verpackungsliste

#### Lista de Chequeo del Paquete

**English** The system board package contains the following items:

- The system board
- A user's manual
- One card-edge bracket with a serial port
- One IDE cable for ATA/66 IDE drives (CW35-E, CW35-D or CW35-S)
- One IDE cable for ATA/33 IDE drives (CW35-L)
- One 34-pin floppy disk drive cable
- One "Main Board Utility" CD
- One "CyberLink PowerDVD" CD (optional)

If any of these items are missing or damaged, please contact your dealer or sales representative for assistance.

**Français** L'emballage de la carte système contient les éléments suivants:

- La carte système
- Un manuel utilisateur
- Un crochet de bord de carte avec un port série
- Un câble IDE pour les lecteurs IDE ATA/66 (CW35-E, CW35-D ou CW35-S)
- Un câble IDE pour les lecteurs IDE ATA/33 (CW35-L)
- Un câble 34 broches pour lecteur de disquette
- Un CD "Main Board Utility"
- Un CD "CyberLink PowerDVD" (optionnel)

Si l'un de ces éléments n'était pas dans l'emballage ou s'il était endommagé, veuillez contacter votre revendeur ou votre représentant.

**Deutsch** In der Verpackung der Systemplatine sind folgende Artikel enthalten:

- Eine Systemplatine
- Ein Benutzerhandbuch
- Eine Halterung mit Kartenkante und mit einem seriellen Anschluß
- Ein IDE-Kabel für ATA/66-IDE-Laufwerke (CW35-E, CW35-D oder CW35-S)
- Ein IDE-Kabel für ATA/33-IDE-Laufwerke (CW35-L)
- Ein Floppylaufwerkskabel mit 34poligen Anschlußstecker
- Eine CD mit "Main Board Utility"
- Eine CD mit "CyberLink PowerDVD" CD (optional)

Fehlt einer dieser Artikel oder weist einer dieser Artikel Beschädigungen auf, wenden Sie sich an Ihren Händler oder Vertreter.

**Español** El paquete del tablero de sistema contiene los siguientes artículos:

- El tablero de sistema
- Un manual de usuario
- Un sostén de tarjeta-filo con puerto de serie
- Un cable de IDE para las unidades de ATA/66 IDE (CW35-E, CW35-D o CW35-S)
- Un cable de IDE para las unidades de ATA/33 IDE (CW35-L)
- Un cable de unidad de disquete de 34-terminales

- Un CD de "Main Board Utility"
- Un CD de "CyberLink PowerDVD"

Si cualquiera de estos artículos están perdidos o dañados, favor de ponerse en contacto con su tratante o representantes de venta para la asistencia.

# Chapter 2 - Hardware Installation

## Installation du Matériel

## Installation der Hardware

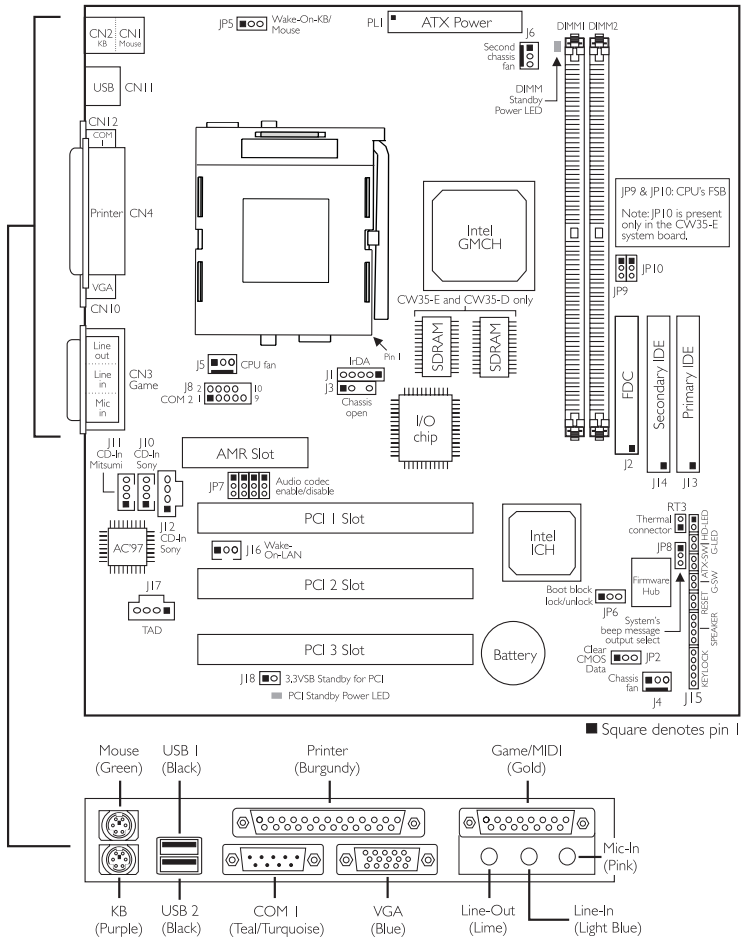
## Instalación del Hardware

### 2.1 System Board Layout

Position de la Carte Système

Aufbau der Hauptplatine

Disposición del Tablero Electrónico del Sistema





## 2.2 Jumper Settings for Clearing CMOS Data

### Positionnement des Cavaliers pour Effacer les Données CMOS

### Jumpereinstellungen zum Löschen der CMOS Daten

### Configuraciones de Saltador para Dato de CMOS de Licencia

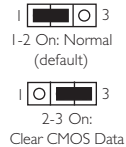
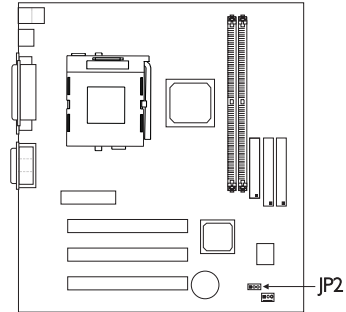
#### English Jumper JP2 - Clear CMOS Data

- If you encounter the following,
- CMOS data becomes corrupted;
  - You forgot the supervisor or user password;
  - You are unable to boot-up the computer system because the processor's clock/ratio was incorrectly set in the BIOS;

you can reconfigure the system with the default values stored in the ROM BIOS.

To load the default values stored in the ROM BIOS, please follow the steps below.

- Power-off the system.
- Set JP2 pins 2 and 3 to On. Wait for a few seconds and set JP2 back to its default setting, pins 1 and 2 On.
- Now power-on the system. If your reason for clearing the CMOS data is due to incorrect setting of the processor's clock/ratio in the BIOS, please proceed to step 4.
- After powering-on the system, press <Del> to enter the BIOS setup utility.
- Select the CPU Frequency Control submenu and press <Enter>.
- Set the "CPU Clock/Spread Spectrum" or "CPU Ratio" field to its default setting or an appropriate bus clock or frequency ratio.
- Press <Esc> to return to the main menu of the BIOS setup utility. Select "Save & Exit Setup" and press <Enter>.
- Type <Y> and press <Enter>.



#### Français Cavalier JP2 - Efface les Données CMOS

Si vous rencontrez les points suivants:

- Les données CMOS sont corrompues;
- Vous avez oublié le mot de passe superviseur ou utilisateur;
- Vous n'arrivez pas à amorcer l'ordinateur parce que la l'horloge/taux du processeur n'a pas été correctement paramétrée dans le BIOS;

Vous pouvez reconfigurer le système avec les valeurs par défaut stockées dans la ROM BIOS.

Pour charger les valeurs par défaut stockées dans la ROM BIOS, veuillez suivre les étapes ci-dessous:

- Eteignez le système.
- Positionnez les broches 2 et 3 du cavalier JP2 sur Activé (On). Attendez quelques secondes puis repositionnez JP2 à sa valeur par défaut, broches 1 et 2 Activées.
- Maintenant allumez le système. Si la raison pour laquelle vous effacez les données de CMOS est due à un paramétrage incorrect de la l'horloge/taux dans le BIOS, veuillez passer à l'étape 4.

4. Une fois que vous avez allumé le système, appuyez sur <Suppr> pour entrer dans l'utilitaire du BIOS.
5. Sélectionnez le sous menu de CPU Frequency Control et appuyez sur <Entrée>.
6. Sélectionnez le rapport de l'horloge/fréquence approprié du processeur dans le champ "CPU Clock/Spread Spectrum" ou "CPU Ratio".
7. Appuyez sur <Echapp.> pour retourner au menu principal de l'utilitaire de paramétrage du BIOS. Sélectionnez "Save & Exit Setup" puis appuyez sur <Entrée>.
8. Tapez <O> et appuyez sur <Entrée>.

#### **Deutsch** Steckbrücke JP2 - CMOS-Daten löschen.

- Falls: a) die CMOS-Daten zerstört wurden;  
 b) Sie das Supervisor- oder Benutzerkennwort vergessen haben;  
 c) Sie das PC-System nicht laden und starten können, weil die Taktgeber/das Verhältnis des Prozessors im BIOS falsch eingestellt wurde;

kann das System mit den Standardwerten, die im ROM-BIOS gespeichert sind, neu konfiguriert werden.

Zum Laden dieser Standardwerte, die im ROM-BIOS gespeichert sind, gehen Sie wie folgt vor:

1. Das System ausschalten.
2. Die Stifte 2 und 3 der Steckbrücke JP2 auf Ein einstellen. Einige Sekunden warten, und danach die Steckbrücke JP2 zurück auf deren Standardeinstellung einstellen, mit den Stiften 1 und 2 auf Ein.
3. Das System nun einschalten. Falls Sie die CMOS-Daten wegen einer falschen Einstellung der Taktgeber/des Verhältnisses des Prozessors im BIOS löschen müssen, gehen Sie zu Schritt 4.
4. Drücken Sie nach dem Einschalten des Systems auf <Del>, um zum BIOS-Konfigurations-Hilfsprogramm zu gelangen.
5. Das CPU Frequency Control Submenü auswählen und die Eingabetaste (<Enter>) drücken.
6. Das richtige Taktgeber/Frequenzverhältnis des Prozessors im "CPU Clock/Spread Spectrum" oder "CPU Ratio"-Feld auswählen.
7. Die <Esc>-Taste drücken, um zum Hauptmenü des BIOS-Konfigurations-Hilfsprogramms zurückzukehren. "Save & Exit Setup" auswählen und die Eingabetaste (<Enter>) drücken.
8. <Y> eingeben und die Eingabetaste (<Enter>) drücken.

#### **Español** Saltador JP2 - Limpia el Dato de CMOS

Si usted encuentra los siguientes,

- a) El dato de CMOS viene a ser corrompido,
- b) Usted se le olvidó la contraseña del supervisor o del usuario,
- c) Usted no puede iniciar el sistema de computadora porque la reloj/proporción del procesador fué incorrectamente configurado en el BIOS;

usted puede configurar el sistema con los valores implícitos almacenados en el ROM BIOS.

Para instalar los valores implícitos almacenados en el ROM BIOS, favor de seguir los pasos debajo.

1. Apaga el sistema.
2. Configura JP2 terminales 2 y 3 a Encendido. Espera por unos segundos y configura JP2 de vuelta a sus configuración de implícito, terminales 1 y 2 Encendido.

- Ahora encienda el sistema. Si su razón para limpiar el dato de DMOS es debido a la configuración de la reloj/proporción del procesador en BIOS, favor de proceder al paso 4.
- Después de encender el sistema, presiona <Del> para entrar a la utilidad de configuración de BIOS.
- Selecciona el submenú de CPU Frequency Control y presiona <Enter>.
- Selecciona la proporción de frecuencia/reloj apropiada del procesador en el campo de "CPU Clock/Spread Spectrum" o "CPU Ratio".
- Presiona <Es> para regresar al menú principal de la utilidad de configuración de BIOS. Selecciona "Save & Exit Setup" y presiona " Enter".
- Tecllea <Y> y presiona <Enter>.

### 2.3 Jumper Settings for Wake-On-Keyboard/Mouse

#### Positionnement des Cavaliers pour Réveil-Sur-Clavier/Souris

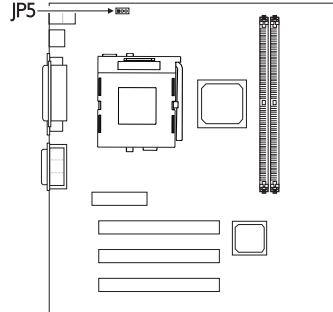
#### Jumpereinstellungen für die Wake-On Tastatur/Maus

#### Configuraciones de Saltador para Teclado/Ratón de Despertar

##### English Jumper JP5 - Wake-on-Keyboard/ Wake-On-Mouse

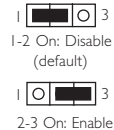
To use the keyboard or PS/2 mouse to power-on the system, please follow the steps below.

- Set JP5 to 2-3 On - enable.
- "Keyboard/Mouse Power On" in the Integrated Peripherals submenu of the BIOS must be set accordingly. Refer to "Setting the Wake-On-Keyboard/Mouse Function" in chapter 3 for more information.



#### Warning:

- If JP5 was previously enabled with a password set in the "KB Power On Password" field, and now you wish to disable the keyboard password function, make sure to set the "Keyboard/Mouse Power On" field to Disabled prior to setting JP5 to disabled. You will not be able to boot up the system if you fail to do so.
- The power button will not function once a keyboard password has been set in the "KB Power On Password" field of the Integrated Peripherals submenu. You must type the correct password to power-on the system.
- If you are using the (1) Suspend to RAM, (2) Wake-On-Keyboard/Mouse and (3) Wake-On-LAN functions all at the same time, the 5VSB power source of your power supply must support a minimum of  $\geq 1A$ . A  $\geq 720mA$  5VSB power source is sufficient if you are using only one or two of these functions.



##### Français Cavalier JP5 - Réveil-sur-Clavier/Réveil-sur-Souris

Pour utiliser le clavier ou la PS/2 souris pour allumer le système, veuillez suivre les étapes ci-dessous.

- Positionnez JP5 sur 2-3 On - activé.
- "Keyboard/Mouse Power On" dans le sous menu de Integrated Peripherals du BIOS doit être paramétré en rapport. Reportez vous à "Activer la

Fonction Réveil-Sur-Clavier/Souris" dans le Chapitre 3 pour plus d'informations.



**Attention:**

1. Si JP5 a été activé précédemment avec un mot de passe paramétré dans le champ "KB Power On Password", et que vous voulez maintenant désactiver la fonction de mot de passe clavier, assurez vous de positionner le champ "Keyboard/Mouse Power On" sur Désactivé avant de positionner JP5 sur désactivé. Vous ne pourrez pas amorcer le système si vous ne faites pas cela.
2. Le bouton d'alimentation ne fonctionnera plus une fois que le mot de passe de clavier aura été entré dans le champ "KB Power On Password" dans le sous menu de Integrated Peripherals. Vous devez taper le mot de passe correct pour allumer le système.
3. Si vous utilisez les fonctions (1) Suspension sur RAM, (2) Réveil-Sur-Clavier/Souris (Wake-On-Keyboard/Mouse), et (3) Réveil-Sur-LAN (Wake-On-LAN) toutes en même temps, assurez vous que la source d'alimentation 5VSB supporte un minimum de  $\geq 1A$ . Si vous utilisez seulement une ou deux de ces fonctions,  $\geq 720mA$  sont suffisants.



**Steckbrücke JP5 - Wecken durch Tastatur / Wecken durch Maus.**

Zum Anwenden der Funktion zum Einschalten des Systems durch Tastatur oder PS/2 Maus befolgen Sie die nachstehenden Schritte.

1. JP5 auf 2-3 Ein einstellen – aktiviert.
2. "Keyboard/Mouse Power On" im Submenü der Integrated Peripherals unter BIOS muß entsprechend eingestellt werden. Weitere Einzelheiten finden Sie unter "Aktivieren der Wake-On Tastatur/Maus Funktion" in Kapitel 3.



**Warnhinweis:**

1. Wurde JP5 vorher mit einem Kennwort, das im Feld "KB Power On Password" bestimmt wurde, aktiviert und Sie nun das Tastaturen-Kennwort deaktivieren möchten, muß das Feld "Keyboard/Mouse Power On" deaktiviert werden, bevor JP5 auf Deaktiviert eingestellt wird. Bei Nichtbeachtung dieser Regel kann das System nicht geladet und gestartet werden.
2. Der Netzschalter bleibt wirkungslos, nachdem ein Tastaturen-Kennwort im Feld "KB Power On Password" im Submenü der Integrated Peripherals bestimmt wurde. Zum Einschalten des Systems müssen Sie das richtige Kennwort eingeben.
3. Falls das (1) Suspendieren auf RAM, (2) das Aktivieren durch Tastatur/Maus und die (3) Wecken-auf-LAN-Funktionen alle gleichzeitig angewendet werden, muß sichergestellt werden, daß die 5VSB-Stromversorgung mindestens  $\geq 1A$  unterstützt. Falls jedoch nur eine oder zwei dieser Funktionen angewendet werden, genügen  $\geq 720mA$ .



**Saltador JP5 - Teclado de Wake-on / Ratón de Wake-on**

Para utilizar el teclado o PS/2 ratón para encender el sistema, favor de seguir los pasos debajo.

1. Configura JP5 a 2-3 Encendido – activado.
2. "Keyboard/Mouse Power On" en el submenú de Integrated Peripherals del BIOS debe ser configurado en consecuencia. Consultar la "Configurando la Función de Despertarse el Teclado/Ratón" en el capítulo 3 para más información.

**Advertencia:**

1. Si JP5 fué activado anteriormente con la contraseña configurado en el campo de "KB Power On Password", y ahora usted desea desactivar la función de contraseña del teclado, asegure de configurar el campo de "Keyboard/Mouse Power On" a Desactivado antes de configurar JP5 a desactivado. Usted no podrá iniciar el sistema si usted fracasa de hacerlo.
2. El botón de energía no funcionará una vez que la contraseña del teclado ha sido configurado en el campo de "KB Power On Password" del submenú de Integrated Peripherals. Usted debe teclear la contraseña correcta para encender el sistema.
3. Si usted está utilizando el (1) Suspendir a RAM, (2) Teclado/Ratón de Despertar, y (3) funciones de Wake-On-Lan todo en el mismo tiempo, asegure el origen de energía de 5VSB soporta mínimo de  $\geq 1A$ . Si está utilizando sólo uno o dos de estas funciones,  $\geq 720mA$  es suficiente.

## 2.4 Jumper Settings for the System's Beep Message

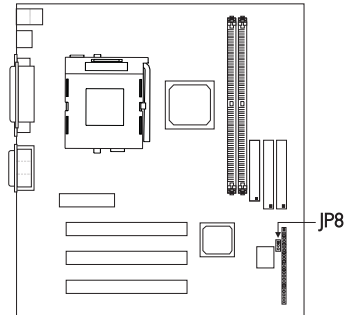
### Paramétrage des Cavaliers pour le Message de Bip du Système

### Steckbrückeneinstellungen für die akustische Meldung des Systems

### Configuraciones de Saltador para el Sistema de Mensaje de Pitido

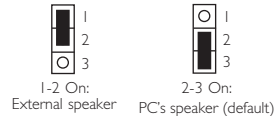
#### English Jumper JP8 - System's Beep Message Output Select

This jumper is used to select the speaker from which the system's beep message will sound. If you want the system's beep message to come from the external speaker that is connected to the line-out jack, set this jumper pins 1 and 2 to On. If you want the system's beep message to come from the PC's speaker, set this jumper pins 2 and 3 to On.



#### Français Cavalier JP8 - Sélection de Sortie de Message Sonore Système

Ce cavalier est utilisé pour sélectionner le haut-parleur à partir duquel le message sonore du système retentira. Si vous voulez que le message système retentisse à partir d'un haut-parleur externe qui est connecté à la prise de sortie, positionnez les broches 1 et 2 de ce cavalier sur On. Si vous voulez que le message sonore système retentisse à partir des haut-parleurs du PC, positionnez les broches 2 et 3 de ce cavalier sur On.



#### Deutsch Steckbrücke JP8 - Einstellung für ein akustisches Signal des Systems

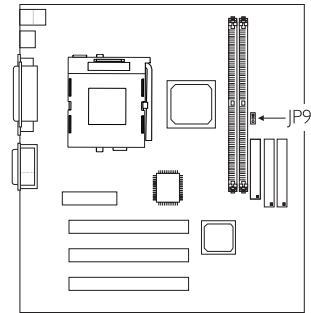
Mit dieser Steckbrücke wird der Lautsprecher ausgewählt, aus welchem das akustische Signal des Systems abgegeben werden soll. Soll das akustische Signal des Systems aus dem externen Lautsprecher, der an die Leitungsausgangsbuchse angeschlossen ist, ausgesendet werden, müssen die Stifte 1 und 2 dieser Steckbrücke auf Ein eingestellt werden. Stellen Sie die Stifte 2 und 3 der Steckbrücke auf Ein, falls das Signal aus dem PC-Lautsprecher abgegeben werden soll.

**Español** Saltador de JP8 - Selección de Salida de Mensaje de Pitido del Sistema

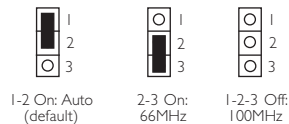
Este saltador es utilizado para seleccionar el altavoz del cual el mensaje de pitido del sistema sonará. Si usted desea el mensaje de pitido del sistema venga desde el altavoz externo que es conectado al enchufe de línea-externo, configura los terminales 1 y 2 de este saltador a Encendido. Si desea el mensaje de pitido del sistema venga desde el altavoz del PC, configura los terminales 2 y 3 de este saltador a Encendido.

**2.5 Jumper Settings for the CPU's Front Side Bus****Positionnement des Cavaliers pour le Bus Frontal du Processeur****Jumpereinstellungen fuer CPU Vorderseitenbus****Configuraciones de Saltador para el Bus de Lado Delantero del CPU****2.5.1 CW35-D, CW35-S or CW35-L****English** CW35-D, CW35-S or CW35-L - JP9

If you are using the CW35-D, CW35-S or CW35-L system board, please use jumper JP9 to set the CPU's front side bus. The default setting of jumper JP9 is Auto (1-2 On) - the system will automatically run according to the FSB of the processor. If you wish to overclock a 66MHz FSB processor to 100MHz, set all pins to Off. If you want a 100MHz FSB processor to run at 66MHz, set pins 2 and 3 to On.

**Français** CW35-D, CW35-S ou CW35-L - JP9

Si vous utilisez la carte système CW35-D, CW35-S ou CW35-L, veuillez utiliser le cavalier JP9 pour paramétrer le bus frontal du CPU. Le paramètre par défaut du cavalier JP9 est Auto (1-2 On) - le système fonctionnera automatiquement en fonction du FSB du processeur. Si vous désirez pousser l'horloge d'un processeur 66MHz FSB à 100MHz, positionnez toutes les broches sur Off. Si vous voulez faire fonctionner un processeur 100MHz FSB à 66MHz, positionnez les broches 2 et 3 sur On.

**Deutsch** CW35-D, CW35-S oder CW35-L – JP9

Falls eine CW35-D-, CW35-S- oder CW35-L-Systemplatine verwendet wird, muß der Bus auf der Vorderseite des CPUs mit der Steckbrücke JP9 eingestellt werden. Die Standardeinstellung der Steckbrücke JP9 ist auf Auto (1-2 Ein) eingestellt – das System wird automatisch nach dem FSB des Prozessors funktionieren. Soll der Taktgeber von 66MHz eines FSB-Prozessors auf 100MHz abgeändert werden, müssen alle Stifte auf Aus eingestellt werden. Falls ein FSB-Prozessor mit 100MHz mit nur 66MHz funktionieren soll, müssen die Stifte 2 und 3 auf Ein eingestellt werden.

**Español** CW35-D, CW35-S o CW35-L – JP9

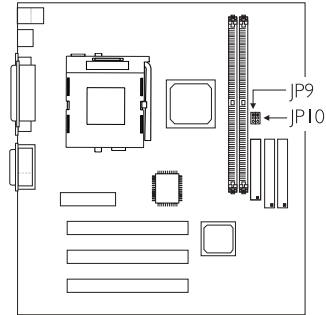
Si usted está utilizando el tablero de sistema de CW35-D, CW35-S o CW35-L, favor de utilizar el saltador JP9 para configurar el bus del lado frontal del CPU.

La configuración implícita del saltador JP9 es Auto (1-2) – el sistema ejecutará automáticamente según al FSB del procesador. Si usted desea encerrar el procesador de 66MHz FSB a 100MHz, configura todos los terminales a Apagado. Si usted desea que el procesador de 100MHz FSB de ejecutar en 66MHz, configura los terminales 2 y 3 a Encendido.

### 2.5.2 CW35-E

#### English CW35-E - JP9 and JP10

If you are using the CW35-E system board, which is the board that supports 133MHz FSB, please use jumpers JP9 and JP10 to set the CPU's front side bus. JP10 is present only in the CW35-E system board. The default setting of jumpers JP9 and JP10 is Auto - the system will automatically run according to the FSB of the processor. Use PC-100 SDRAM DIMMs only.



#### Français CW35-E - JP9 et JP10

Si vous utilisez la carte système CW35-E, qui est la carte supportant 133MHz FSB, veuillez utiliser les cavaliers JP9 et JP10 pour paramétrer le bus frontal du CPU. JP10 est présent seulement sur la carte système CW35-E. Le paramétrage par défaut des cavaliers JP9 et JP10 est Auto - le système fonctionnera automatiquement en fonction du FSB du processeur. Utilisez PC-100 SDRAM DIMMs seulement.

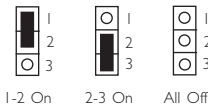
#### Deutsch CW35-E - JP9 und JP10

Falls eine CW35-E-Systemplatine verwendet wird, die ebenfalls den FSB mit 133MHz unterstützt, muß der Bus auf der Vorderseite des CPUs mit den Steckbrücken JP9 und JP10 eingestellt werden. JP10 ist nur auf der CW35-E-Systemplatine vorhanden. Die Standardeinstellung der Steckbrücken JP9 und JP10 ist auf Auto eingestellt – das System wird automatisch nach dem FSB des Prozessors funktionieren. Nur Anwendung des PC-100 SDRAM DIMMs.

#### Español CW35-E – JP9 y JP10

Si usted está utilizando el tablero de sistema CW35-E, el cual es el tablero que soporta 133MHz FSB, favor de utilizar los saltadores de JP9 y JP10 para configurar el bus del lado frontal de CPU. JP10 está presente sólo en el tablero de sistema CW35-E. La configuración implícita de los saltadores JP9 y JP10 es Auto- el sistema ejecutará automáticamente al FSB del procesador. Utiliza sólo PC-100 SDRAM DIMMs.

	JP9	JP10
Auto*	1-2 On	1-2 On
66MHz	2-3 On	2-3 On
100MHz	All Off	2-3 On
133MHz	All Off	All Off



\* - default  
 - default  
 - Standardeinstellung  
 - implícita

### 2.5.3 Warning

#### Attention

#### Warnhinweis

#### Advertencia

**English** Overclocking a 66MHz FSB processor to 100MHz or 133MHz will provide better system performance. However, not all 66MHz FSB processors are capable of running at 100MHz or 133MHz bus speed. Therefore, if you are unable to boot your system when set at 100MHz or 133MHz, make sure to set the jumper(s) back to its default setting.

**Français** Le fait de pousser l'horloge d'un processeur FSB de 66MHz à 100MHz ou 133MHz offrira de meilleures performances système. Cependant, tous les processeurs FSB 66MHz ne sont pas capable de tourner à une vitesse de bus de 100MHz ou 133MHz. Pour cette raison, vous ne pourrez pas amorcer votre système lorsqu'ils seront paramétrés à 100MHz ou 133MHz, assurez vous de repositionner les cavaliers à leur valeur par défaut.

**Deutsch** Durch ein höheres Einstellen des Taktgebers eines 66MHz-FSB-Prozessors auf 100MHz oder 133MHz kann eine bessere Leistung des Systems erzielt werden. Jedoch sind nicht alle 66MHz-FSB-Prozessoren imstande, mit einer Bus-Geschwindigkeit von 100MHz oder 133MHz zu funktionieren. Falls Sie daher Ihr System mit einer Einstellung auf 100MHz oder 133MHz nicht starten können, müssen Steckbrücke zurück auf ihre Standardeinstellung gestellt werden.

**Español** Encerrar por encima el procesador de 66MHz FSB a 100MHz o 133MHz proveerá mejor ejecución de sistema. Sin embargo, no todos los procesadores de 66MHz FSB son capaces de ejecutar la velocidad de bus de 100MHz o 133MHz. Por lo tanto, si usted no puede iniciar su sistema cuando configura a 100MHz o 133MHz, asegure de configurar saltador de vuelta a sus configuraciones de implícito.

## 2.6 Jumper Settings for the Boot Block Lock/Unlock


### Paramétrage des Cavaliers pour le Verrouillage/Déverrouillage du Bloc d'Initialisation


### Steckbrückeneinstellungen für die Blockierung/Entriegelung des Ladeblocks

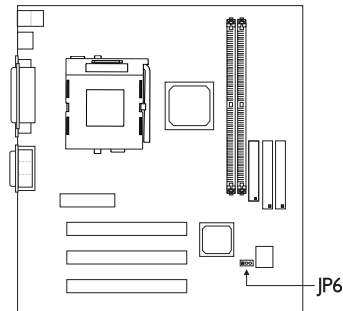
### Configuraciones de Saltador para Cerrar/Abrir del Encendido

#### **English** Jumper JP6 - Boot Block Lock/Unlock

This jumper is for factory use only. Please leave it in its default setting.


  
1-2 On:  
Unlock boot block  
(default)


  
2-3 On:  
Lock boot block





**Français** Cavalier JP6 - Bloc d'Amorçage Verrouillé/Déverrouillé

Ce cavalier est destiné à une utilisation en usine seulement. Veuillez le laisser sur sa position par défaut. Déverrouillage de bloc d'Amorçage; Verrouillage de bloc d'Amorçage.

**Deutsch** Steckbrücke JP6 - Ladeblock verriegeln/ entriegeln

Diese Steckbrücke ist nur für den Gebrauch im Werk bestimmt. Lassen Sie diese Steckbrücke in deren Standardeinstellung. Ladeblock entriegeln; Ladeblock verriegeln.

**Español** Saltador JP6 - Bloqueo de Inicio Cerrado/Abierto

Este saltador es sólo para la utilización de fábrica. Favor de dejarlo en sus configuraciones implícitas. Abrir el bloqueo de inicio; Cerrar el bloqueo de inicio.

2.7 Jumper Settings for the Audio Codec

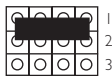
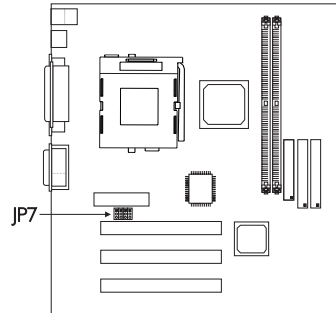
Paramétrage des Cavaliers pour Audio Codec

Steckbrückeneinstellungen für den Audio-Codec

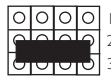
Configuraciones de Saltador para Audio Codec

**English** Jumper JP7 - Enable/Disable Audio Codec

This jumper is used to enable or disable the audio codec (AC'97) on the system board. By default, the onboard audio codec is enabled. If you are using the AMR card's audio codec, set pins 2 and 3 to On. Please refer to the table below on how the jumper and the BIOS should be configured in different situations or system configurations.



1-2 On: Enable (default)



2-3 On: Disable

Nomenclature:

“BIOS - AC97 Audio” : Refers to the “AC97 Audio” field in the Integrated Peripherals submenu.

“BIOS - AC97 Modem” : Refers to the “AC97 Modem” field in the Integrated Peripherals submenu.

- |    |                                 |   |   |   |  |
|----|---------------------------------|---|---|---|--|
| 1. | Onboard audio (primary)         | + | No card in AMR or PCI/ISA slot          | = | JP7: enable<br>BIOS - AC97 Audio: auto |
| 2. | Primary audio riser in AMR slot | = | JP7: disable<br>BIOS - AC97 Audio: auto |   |  |
| 3. | Onboard audio (primary)         | + | Secondary audio riser in AMR slot       | = | JP7: enable<br>BIOS - AC97 Audio: auto |

# 2

## Hardware Installation

4. Onboard audio (primary) + Secondary modem riser in AMR slot = JP7: enable  
BIOS - AC97 Audio: auto  
BIOS - AC97 Modem: auto
5. Onboard audio (primary) + PCI modem card in PCI slot = JP7: enable  
BIOS - AC97 Audio: auto  
BIOS - AC97 Modem: disable
6. PCI sound card in PCI slot = JP7: no effect; ignore  
BIOS - AC97 Audio: disable
7. PCI sound card in PCI slot + Primary modem riser in AMR slot = JP7: disable  
BIOS - AC97 Audio: disable  
BIOS - AC97 Modem: auto
8. PCI sound card in PCI slot + Secondary modem riser in AMR slot = JP7: enable  
BIOS - AC97 Audio: disable  
BIOS - AC97 Modem: auto
9. PCI sound card in PCI slot + PCI modem card in PCI slot = JP7: no effect; ignore  
BIOS - AC97 Audio: disable  
BIOS - AC97 Modem: disable
10. Audio Modem riser in AMR slot = JP7: disable  
BIOS - AC97 Audio: auto  
BIOS - AC97 Modem: auto

### Français Cavalier JP7 - Active/Désactive Audio Codec

Ce cavalier est utilisé pour activer ou désactiver l'audio codec (AC'97) de votre carte système. Par défaut, l'audio codec sur carte est activé. Si vous utilisez l'audio codec de carte AMR, positionnez les broches 2 et 3 sur On. Veuillez vous reporter au tableau ci-dessous concernant la façon de configurer le cavalier et le BIOS dans différentes situations ou différentes configurations système.

Nomenclature:

"BIOS - AC97 Audio" : Correspond au champ "AC97 Audio" du sous menu de Integrated Peripherals.

"BIOS - AC97 Modem" : Correspond au champ "AC97 Modem" du sous menu de Integrated Peripherals.

1.	Audio sur carte (primaire)	+	Pas de carte dans le logement AMR ou PCI/ISA	=	JP7: activé BIOS - AC97 Audio: auto
2.	Riser Audio primaire dans le logement AMR	=	JP7: désactivé BIOS - AC97 Audio: auto		
3.	Audio sur carte (primaire)	+	Riser audio secondaire dans le logement AMR	=	JP7: activé BIOS - AC97 Audio: auto
4.	Audio sur carte (primaire)	+	Riser Modem secondaire dans logement AMR	=	JP7: activé BIOS - AC97 Audio: auto BIOS - AC97 Modem: auto
5.	Audio sur carte (primaire)	+	Carte modem PCI dans logement PCI	=	JP7: activé BIOS - AC97 Audio: auto BIOS - AC97 Modem: désactivé
6.	Carte son PCI dans logement PCI	=	JP7: no effect; ignore BIOS - AC97 Audio: désactivé		
7.	Carte son PCI dans logement PCI	+	Riser Modem primaire dans logement AMR	=	JP7: désactivé BIOS - AC97 Audio: désactivé BIOS - AC97 Modem: auto
8.	Carte son PCI dans logement PCI	+	Riser Modem secondaire dans logement AMR	=	JP7: activé BIOS - AC97 Audio: désactivé BIOS - AC97 Modem: auto
9.	Carte son PCI dans logement PCI	+	Carte modem PCI dans logement PCI	=	JP7: no effect; ignore BIOS - AC97 Audio: désactivé BIOS - AC97 Modem: désactivé
10.	Riser Audio Modem dans logement AMR	=	JP7: désactivé BIOS - AC97 Audio: auto BIOS - AC97 Modem: auto		

**Deutsch** Steckbrücke JP7 - Audio-Codec aktivieren/deaktivieren

Mit dieser Steckbrücke wird der Audio-Codec (AC'97) auf der Systemplatine aktiviert oder deaktiviert. Der Audio-Codec auf Platine wurde werkseitig auf aktiviert voreingestellt. Falls Sie einen Audio-Codec der AMR-Karte benutzen, müssen die Stifte 2 und 3 dieser Steckbrücke auf Ein eingestellt werden. Angaben zur Konfiguration der Steckbrücke und des BIOS in verschiedenen Situationen oder unterschiedlichen Systemkonfigurationen sind in der untenstehenden Tabelle enthalten.

Nomenklatur:

"BIOS - AC97 Audio": Bezieht sich auf das "AC97 Audio"-Feld im Submenü der Integrated Peripherals.

"BIOS - AC97 Modem": Bezieht sich auf das "AC97 Modem"-Feld im Submenü der Integrated Peripherals.

1.	Audio auf Platine (primär)	+	Keine Karte in der AMR- oder PCI/ISA-Steckfassung vorhanden	=	JP7: aktiviert BIOS - AC97 Audio: auto
2.	Primärer Audio-Riser in der AMR-Steckfassung	=			JP7: deaktiviert BIOS - AC97 Audio: auto
3.	Audio auf Platine (primär)	+	Sekundärer Audio-Riser in der AMR-Steckfassung	=	JP7: aktiviert BIOS - AC97 Audio: auto
4.	Audio auf Platine (primär)	+	Sekundärer Modem-Riser in der AMR-Steckfassung	=	JP7: aktiviert BIOS - AC97 Audio: auto BIOS - AC97 Modem: auto
5.	Audio auf Platine (primär)	+	PCI-Modemkarte in der PCI-Steckfassung	=	JP7: aktiviert BIOS - AC97 Audio: auto BIOS - AC97 Modem: deaktiviert
6.	PCI-Soundkarte in der PCI-Steckfassung	=			JP7: no effect; ignore BIOS - AC97 Audio: deaktiviert
7.	PCI-Soundkarte in der PCI-Steckfassung	+	Primärer Modem-Riser in der AMR-Steckfassung	=	JP7: deaktiviert BIOS - AC97 Audio: deaktiviert BIOS - AC97 Modem: auto
8.	PCI-Soundkarte in der PCI-Steckfassung	+	Sekundärer Modem-Riser in der AMR-Steckfassung	=	JP7: aktiviert BIOS - AC97 Audio: deaktiviert BIOS - AC97 Modem: auto
9.	PCI-Soundkarte in der PCI-Steckfassung	+	PCI-Modemkarte in der PCI-Steckfassung	=	JP7: no effect; ignore BIOS - AC97 Audio: deaktiviert BIOS - AC97 Modem: deaktiviert
10.	Audio-Modem-Riser in der AMR-Steckfassung	=			JP7: deaktiviert BIOS - AC97 Audio: auto BIOS - AC97 Modem: auto

**Español** Saltador JP7 - Activar/Desactivar Audio Codec

Este saltador es utilizado para activar y desactivar el codec de audio(AC'97) el tablero de sistema. Por implícito, el codec de audio en tablero es activado. Si usted está utilizando el codec de audio de las tarjetas de AMR, configura los terminales 2 y 3 a Encendido. Favor de consultar a la tabla de abajo en cómo el saltador y el BIOS deberían ser configurados en diferentes situaciones o configuraciones del sistema.

Nomenclatura:

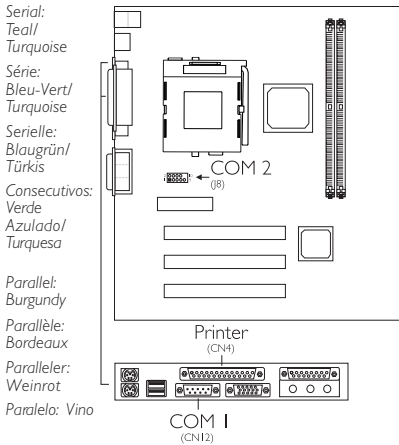
"BIOS - AC97 Audio": Consultar al campo de "AC97 Audio" en el submenú de Integrated Peripherals.

"BIOS - AC97 Modem": Consultar al campo de "AC97 Modem" en el submenú de Integrated Peripherals.

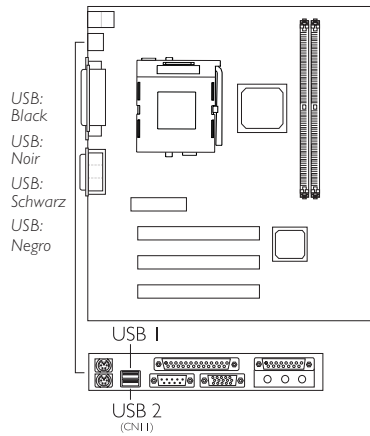
- |     |  |   |  |   |  |
|-----|--|---|--|---|--|
| 1.  | Audio En tablero (Primario)                        | + | No hay tarjeta en la ranura de AMR o PCI/ISA                           | = | JP7: activado<br>BIOS - AC97 Audio: auto   |
| 2.  | Contrahuella de audio primario en la ranura de AMR | = | JP7: desactivado<br>BIOS - AC97 Audio: auto                            |   |  |
| 3.  | Audio En tablero (Primario)                        | + | Contrahuella de audio secundario en la ranura de AMR                   | = | JP7: activado<br>BIOS - AC97 Audio: auto   |
| 4.  | Audio En tablero (Primario)                        | + | Contrahuella de módem secundario en la ranura de AMR                   | = | JP7: activado<br>BIOS - AC97 Audio: auto<br>BIOS - AC97 Modem: auto                        |
| 5.  | Audio En tablero (Primario)                        | + | Tarjeta de módem de PCI en la ranura de PCI                            | = | JP7: activado<br>BIOS - AC97 Audio: auto<br>BIOS - AC97 Modem: desactivado                 |
| 6.  | Tarjeta de sonido de PCI en la ranura de PCI       | = | JP7: no effect; ignore<br>BIOS - AC97 Audio: desactivado               |   |  |
| 7.  | Tarjeta de sonido de PCI en la ranura de PCI       | + | Contrahuella de módem primario en la ranura de AMR                     | = | JP7: desactivado<br>BIOS - AC97 Audio: desactivado<br>BIOS - AC97 Modem: auto              |
| 8.  | Tarjeta de sonido de PCI en la ranura de PCI       | + | Contrahuella de módem secundario en la ranura de AMR                   | = | JP7: activado<br>BIOS - AC97 Audio: desactivado<br>BIOS - AC97 Modem: auto                 |
| 9.  | Tarjeta de sonido de PCI en la ranura de PCI       | + | Tarjeta de módem de PCI en la ranura de PCI                            | = | JP7: no effect; ignore<br>BIOS - AC97 Audio: desactivado<br>BIOS - AC97 Modem: desactivado |
| 10. | Contrahuella de Audio Módem en la ranura de AMR    | = | JP7: desactivado<br>BIOS - AC97 Audio: auto<br>BIOS - AC97 Modem: auto |   |  |

### 2.8 Connectors / Connecteurs / Anschlüsse / Conectores

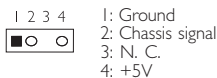
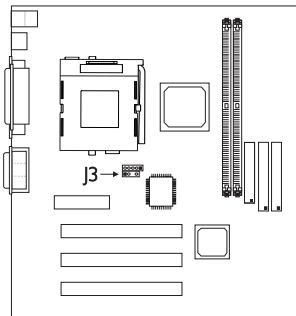
**2.8.1 Serial Ports / Parallel Port**  
**Ports Série / Port Parallèle**  
**Serielle Anschlüsse /**  
**Paralleler Anschluß**  
**Puertos Consecutivos/**  
**Puerto Paralelo**



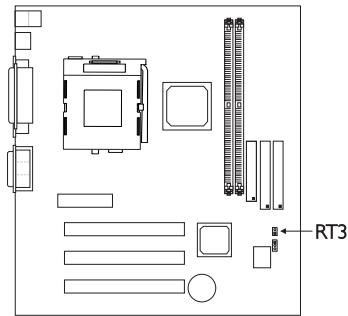
**2.8.2 Universal Serial Bus Ports**  
**Ports de Bus Série Universels**  
**Universelle Serielle Bus-**  
**Anschlüsse**  
**Puertos de Bus Consecutivo**  
**Universal**



**2.8.3 Chassis Open Connector**  
**Connecteur de Châssis**  
**Ouvert**  
**Chassisöffnungsanschluß**  
**Conector Abierto de Chasis**

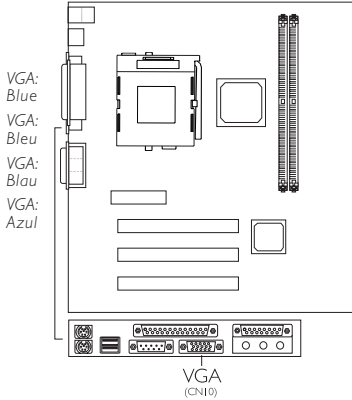


**2.8.4 Thermal Sensor Connector**  
**Connecteur de Capteur**  
**Thermique**  
**Thermosensor Anschluß**  
**Conector del Sensor Termal**



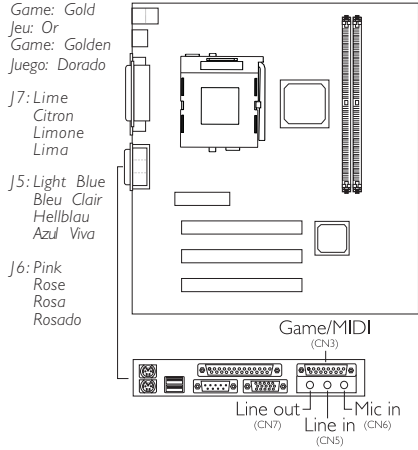
### 2.8.5 VGA Port

Port VGA  
VGA-Anschluß  
Puerto de VGA



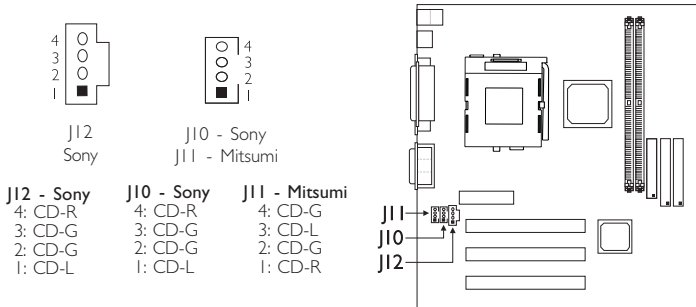
### 2.8.6 Game/MIDI Port and Audio Jacks

Port Jeu/MIDI / Prises Audio  
Game-/MIDI-Anschluß /  
Audio-Anschlußbuchsen  
Juego/Puerto de MIDI/  
Enchufe Hembra de Audio



### 2.8.7 CD Audio-in Connector

Connecteurs d'entrée Audio CD  
CD-Audio-In-Anschlußstecker  
Conector de entrada de Audio de CD



### 2.8.8 CPU Fan Connector

Connecteur du Ventilateur de CPU

CPU Kühlung Anschluß

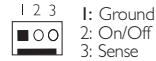
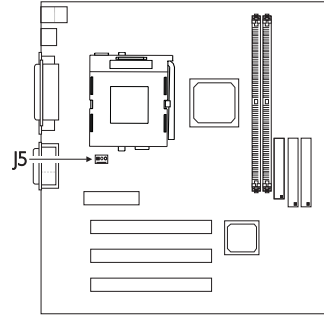
Conector de Abanico de CPU

**English** The system is capable of monitoring and controlling the speed of the CPU fan. The CPU fan, together with the chassis fan, will automatically turn off once the system enters the Suspend mode.

**Français** Le système est capable de gérer et de contrôler la vitesse du ventilateur de CPU. Le ventilateur de CPU, et le ventilateur de châssis, s'arrêteront automatiquement une fois que le système sera entré en mode Suspension.

**Deutsch** Durch das System kann die Geschwindigkeit des CPU-Ventilators überwacht und gesteuert werden. Beim Schalten des Systems in den Suspendier-Modus werden der CPU-Ventilator und der Chassisventilator automatisch ausgeschaltet.

**Español** El sistema es capaz de vigilar y controlar la velocidad del abanico de CPU. El abanico de CPU, junto con el abanico de chasis, apagarán automáticamente una vez que el sistema entra al modo de Suspend.



### 2.8.9 Chassis Fan Connector

Connecteur de Châssis de Ventilateur

Anschluß Kühlungsgehäuse

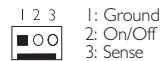
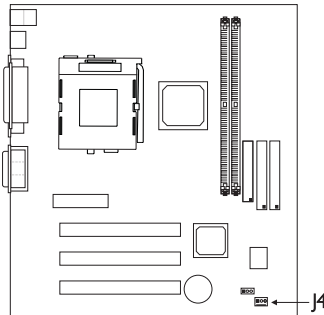
Conector de Abanico de Chasis

**English** The system is capable of monitoring and controlling the speed of the chassis fan. The chassis fan, together with the CPU fan, will automatically turn off once the system enters the Suspend mode.

**Français** Le système est capable de gérer et de contrôler la vitesse du ventilateur de châssis. Le ventilateur de châssis, et le ventilateur de CPU, s'arrêteront automatiquement une fois que le système sera entré en mode Suspension.

**Deutsch** Durch das System kann die Geschwindigkeit des Chassisventilators überwacht und gesteuert werden. Beim Schalten des Systems in den Suspendier-Modus werden der Chassisventilator und der CPU-Ventilator automatisch ausgeschaltet.

**Español** El sistema es capaz de vigilar y controlar la velocidad del abanico de chasis. El abanico de chasis, junto con el abanico de CPU, apagarán automáticamente una vez que el sistema entra al modo de Suspend.





### 2.8.10 Second Chassis Fan Connector

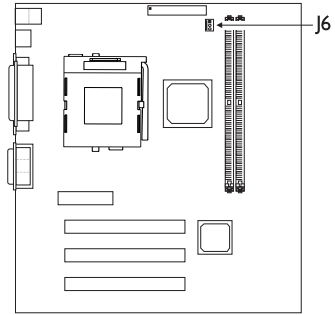
Connecteur de Secondaire Châssis de Ventilateur  
 Anschluß Sekundären Kühlungsgehäuse  
 Conector de abanico de chasis secundario

**English** The system is capable of monitoring the speed of the second chassis fan but does not control its fan speed.

**Français** Le système est capable de gérer la vitesse du second ventilateur de châssis mais ne contrôle pas la vitesse de son ventilateur.

**Deutsch** Durch das System kann die Geschwindigkeit des zweiten Chassisventilators überwacht, jedoch nicht gesteuert, werden.

**Español** El sistema es capaz de vigilar la velocidad del abanico de chasis secundario pero no controla la velocidad del abanico.



■	1	1: Ground
○	2	2: +12V
○	3	3: Sense

### 2.8.11 IrDA Connector

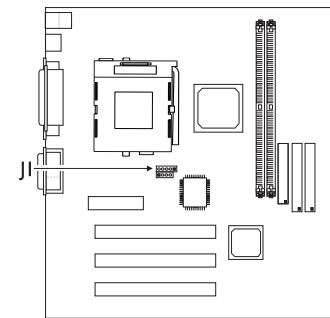
Connecteur IrDA  
 IrDA Anschlüsse  
 Conector de IrDA

**English** The sequence of the pin functions on some IrDA cable may be reversed from the pin function defined on the system board. Make sure to connect the cable to the IrDA connector according to their pin functions.

**Français** La séquence de fonctions des broches sur certains câbles IrDA peut être inversée par rapport aux fonctions de broches définies sur la carte système. Prenez soin de connecter le câble au connecteur IrDA conformément à leurs fonctions de broches.

**Deutsch** Die Reihenfolge der Stiftfunktionen einiger IrDA-Kabel kann umgekehrt von der Stiftfunktion, die auf der Systemplatine eingestellt wurde, sein. Das Kabel muß unter Beachtung der Stiftfunktionen an den IrDA-Anschluß angeschlossen werden.

**Español** La secuencia de las funciones del terminal en algunos cables de IrDA puede ser reservado desde la función de terminal definido en el tablero del sistema. Asegura de conectar el cable al conector de IrDA según sus funciones del terminal.



○	5	1: VCC
○	4	2: CIRRX
○	3	3: IRRX
○	2	4: Ground
■	1	5: IRTX

## 2.8.12 PS/2 Mouse/Keyboard Port

Ports Souris/Clavier PS/2

PS/2 Maus/Tastatur Anschluß

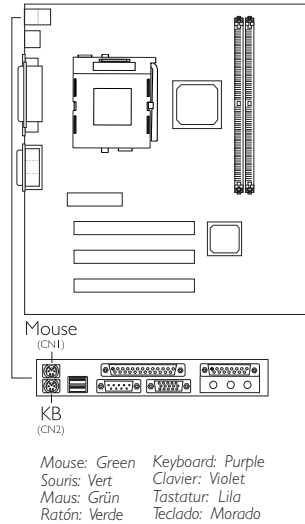
Puerto de Ratón/Teclado PS/2

**English** Make sure to turn off your computer prior to connecting or disconnecting a mouse or keyboard. Failure to do so may damage the system board.

**Français** Assurez vous que votre ordinateur est éteint avant de connecter ou de déconnecter une souris ou un clavier. Si vous ne procédez pas ainsi vous risquez d'endommager votre carte système.

**Deutsch** Vor dem Anschließen oder Entfernen einer Maus oder Tastatur muß Ihr PC unbedingt ausgeschaltet werden. Bei Nichtbeachtung dieser Regel kann die Hauptplatte beschädigt werden.

**Español** Asegura de apagar su computadora antes de conectar o desconectar el ratón o el teclado. Si fracasas de hacer esto puede dañar el tablero eléctrico del sistema.



## 2.8.13 Floppy Disk Drive and IDE Disk Drive Connectors

Contrôleur de Lecteur de Disquette et Interface IDE

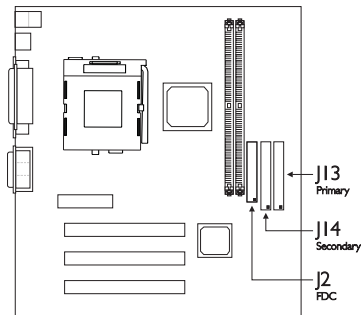
Diskettenlaufwerkcontroller und IDE Interface

Controlador del Disquete e Interfaz de IDE

**English** If you encountered problems while using an ATAPI CD-ROM drive that is set in Master mode, please set the CD-ROM drive to Slave mode. Some ATAPI CD-ROMs may not be recognized and cannot be used if incorrectly set in Master mode.

**Français** Si vous rencontrez des problèmes pendant l'utilisation d'un lecteur CD-ROM ATAPI qui est paramétré en mode Maître, veuillez paramétrer le lecteur CD-ROM en mode Esclave. Certains CD-ROM ATAPI peuvent ne pas être reconnus et ne peuvent pas être utilisés s'ils ne sont pas paramétrés correctement en mode Maître.

**Deutsch** Treten während dem Betrieb eines ATAPI-CD-ROM-Laufwerks, welches in den Master-Modus eingestellt wurde, Konflikte auf, muß das CD-ROM-Laufwerk in den Slave-Modus eingestellt werden. Einige ATAPI-CD-ROM-Laufwerke werden unter Umständen nicht erkannt und können nicht betrieben werden, falls sie fälschlicherweise in den Master-Modus eingestellt wurden.



**Español** Si encuentra problemas mientras utiliza la unidad de CD-ROM de ATAPI que es configurado en el modo Maestro, favor de configurar la unidad de CD-ROM al modo de Esclavo. Algunos CD-ROMs de ATAPI no pueden ser reconocidos y no pueden ser utilizados si son configurados incorrectamente en el modo Maestro.

## 2.8.14 TAD Connector

### Connecteur TAD

### TAD Anschluß

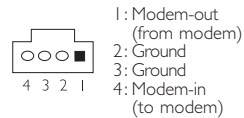
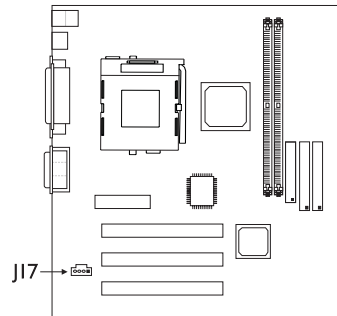
### Conector de TAD

**English** TAD is a connector for telephony audio devices such as voice modem cards. By installing a PCI voice modem card that is also equipped with a TAD connector, connect the cable that came with the card to the TAD connector (J17) on the system board. The voice modem will interface with the onboard audio allowing voice to come from the external speaker.

**Français** TAD est un connecteur pour les matériels de téléphonie audio tels que des cartes modem vocal. En installant une carte modem vocal PCI aussi équipée d'un connecteur TAD, connecter le cordon qui accompagne la carte au connecteur TAD (J17) sur la carte système. Le modem vocal fera office d'interface avec l'audio sur carte permettant au son de provenir d'un haut-parleur externe.

**Deutsch** TAD ist ein Anschlußteil für Fernsprechaudiogeräte, wie beispielsweise Modemkarten mit Fernsprechfunktion. Beim Installieren einer PCI-Modemkarte mit Fernsprechfunktion, die ebenfalls mit einem TAD-Anschlußteil ausgestattet ist, muß das mit der Karte mitgelieferte Kabel an das TAD-Anschlußteil (J17) auf der Systemplatine angeschlossen werden. Das Modem mit Fernsprechfunktion wird als Schnittstelle zum Audio auf Platine funktionieren, so daß die Sprachnachrichten aus den externen Lautsprechern übermittelt werden.

**Español** TAD es un conector para los dispositivos de audio telefónico tal como las tarjetas de módem de voz. Por instalando la tarjeta de módem de voz de PCI que se también equipado con el conector de TAD, conecta el cable que viene con la tarjeta al conector de TAD (J17) en el tablero de sistema. El módem de voz enlazará con el audio en tablero permitiendo el voz de salir desde el altavoz externo.



## 2.8.15 DIMM/PCI Standby Power LED

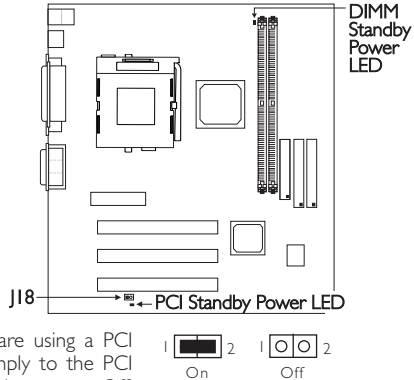
LED d'Alimentation de veille DIMM/PCI

DIMM/PCI-Standby-Betriebsanzeige-LED

LED de Energía Preparado de DIMM/PCI

English

1. The DIMM Standby Power LED will light when the system is in the power-on or Suspend mode. It will not light when the system is in the Soft-Off state.
2. The PCI Standby Power LED will light when the system is in the power-on, Soft-Off or Suspend mode.
3. 3.3VSB Standby for PCI (jumper J18) - The default setting of jumper J18 is On. It provides 3.3VSB Standby power to the PCI slots. If you are using a PCI modem card that does not comply to the PCI 2.2 specification, please set this jumper to Off. The PCI Standby Power LED's light will subsequently turn off.
4. Lighted LEDs serve as a reminder that you must power-off the system then turn off the power supply's switch or unplug the power cord prior to installing any DIM modules or add-on cards.



Français

1. La LED de Veille d'Alimentation DIMM s'allumera quand le système est allumé ou en mode Suspension. Elle ne s'allumera pas quand le système est en état Soft-Off.
2. La LED de Veille d'Alimentation PCI s'allumera quand le système est en mode allumé, Soft-Off ou Suspension.
3. 3.3VSB Veille pour PCI (cavalier J18) - Le paramétrage par défaut du cavalier J18 est On (Activé). Il fournit une alimentation de veille de 3.3VSB aux logements PCI. Si vous utiliser une carte modem PCI qui n'est pas conforme aux spécifications PCI 2.2, veuillez positionner ce cavalier sur Off (Désactivé). La LED de Suspension d'Alimentation PCI s'éteindra par la suite.
4. Les LED allumées servent à vous rappeler que vous devez éteindre le système puis éteindre l'interrupteur d'alimentation ou de débrancher le cordon d'alimentation avant d'installer tout module DIM ou carte additionnelle.

Deutsch

1. Die DIMM-Standby-Betriebsanzeige-LED leuchtet, wenn sich das System Einschaltstatus befindet oder in den Suspendier-Modus geschaltet wurde. Das LED leuchtet nicht, wenn das System im Ausschaltstatus ist.
2. Die PCI-Standby-Betriebsanzeige-LED leuchtet, wenn sich das System im Einschalt-, Ausschaltstatus befindet oder in den Suspendier-Modus geschaltet wurde.
3. 3.3VSB-Standby für PCI (Steckbrücke J18) - Die Standardeinstellung der Steckbrücke J18 ist auf Ein. Damit werden die PCI-Steckfassungen mit 3.3VSB-Standby-Strom versorgt. Falls eine PCI-Modemkarte verwendet wird, die nicht der PCI-2.2-Vorschrift entspricht, muß diese Steckbrücke auf Aus eingestellt werden. Die PCI-Bereitschafts-Betriebsanzeige-LEDs erlöschen danach.
4. Leuchtende LEDs sollen den Benutzer ermahnen, das System auszuschalten und dann das Netzgerät mit dem Schalter auszuschalten oder das Netzkabel

vom Stromnetz abzutrennen, bevor DIM-Module oder Zusatzkarten installiert werden können.

- Español**
1. La LED de Energía Preparada de DIMM iluminará cuando el sistema es en el modo de energía encendida o Suspend. No iluminará cuando el sistema es en el estado de Soft-Off.
  2. La LED de Energía Preparada de PCI iluminará cuando el sistema es en el modo de energía encendida, Soft-Off o Suspend.
  3. 3.3VSB Preparado para PCI (saltador J18) - La configuración implícita del saltador J18 es Encendido. Este provee la energía de 3.3VSB Preparado a las ranuras de PCI. Si usted está utilizando la tarjeta de módem de PCI que no puede acceder a la especificación de PCI 2.2, favor de configurar éste saltador a Apagado. Las luces del LED de Energía Preparado de PCI apagará subsecuentemente.
  4. LEDs iluminados sirven como un recordador que usted debe apagar el sistema, luego apaga el interruptor de la fuente de alimentación o desenchufa el cordel de alimentación antes de instalar cualquier de los módulos de DIM o tarjetas añadidas.

## 2.8.16 Wake-On-LAN Connector

### Connecteur Réveil-Sur-LAN

### Wake-On-LAN Anschluß

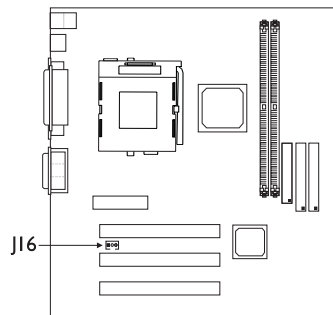
### Conector de Wake-On-Lan

**English** If you are using the (1) Suspend to RAM, (2) Wake-On-Keyboard/Mouse and (3) Wake-On-LAN functions all at the same time, the 5VSB power source of your power supply must support a minimum of  $\geq 1A$ . A  $\geq 720mA$  5VSB power source is sufficient if you are using only one or two of these functions.

**Français** Si vous utilisez les fonctions (1) Suspension sur RAM, (2) Réveil-Sur-Clavier/Souris (Wake-On-Keyboard/Mouse), et (3) Réveil-Sur-LAN (Wake-On-LAN) toutes en même temps, assurez vous que la source d'alimentation 5VSB supporte un minimum de  $\geq 1A$ . Si vous utilisez seulement une ou deux de ces fonctions,  $\geq 720mA$  sont suffisants.

**Deutsch** Falls das (1) Suspendieren auf RAM, (2) das Aktivieren durch Tastatur/Maus und die (3) Wecken-auf-LAN-Funktionen alle gleichzeitig angewendet werden, muß sichergestellt werden, daß die 5VSB-Stromversorgung mindestens  $\geq 1A$  unterstützt. Falls jedoch nur eine oder zwei dieser Funktionen angewendet werden, genügen  $\geq 720mA$ .

**Español** Si usted está utilizando el (1) Suspend a RAM, (2) Teclado/Ratón de Despertar, y (3) funciones de Wake-On-Lan todo en el mismo tiempo, asegura el origen de energía de 5VSB soporta mínimo de  $\geq 1A$ . Si está utilizando sólo uno o dos de estas funciones,  $\geq 720mA$  es suficiente.



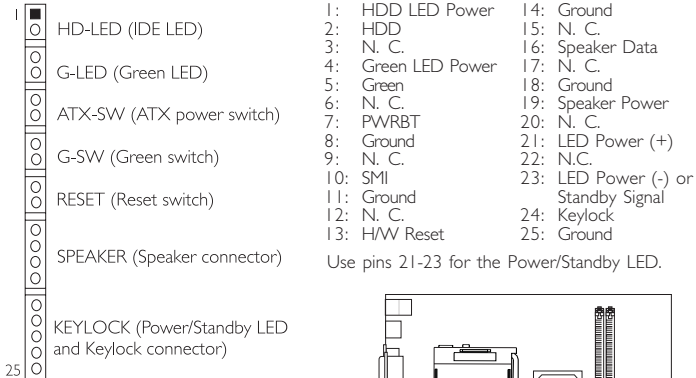
1	2	3	1: WOL
■	○	○	2: Ground
			3: +5VSB (720mA)

## 2.8.17 Front Panel LEDs and Switches

## Diodes LED et Interrupteurs du Panneau Avant

## Leuchtdioden (LED) und Regler auf der Gerätevorderseite

## Panet Frontal de LED y los Interruptores



English

1. ATX-SW (ATX Power Switch) - Depending on the setting in the "Soft-Off By PWR-BTTN" field in the Power Management Setup, this switch is a "dual function power button" that will allow your system to enter the Soft-Off or Suspend mode.
2. When the system is in the S1 (POS - Power On Suspend) state, the Green LED and Power/Standby LED will blink every second.
3. When the system is in the S3 (STR - Suspend To RAM) state, the Power/Standby LED will blink every 4 seconds.
4. If a system did not boot-up and the Power/Standby LED did not light after it was powered-on, it may indicate that the CPU or memory module was not installed properly. Please make sure they are properly inserted into their corresponding socket.

Français

1. ATX-SW (Bouton d'Alimentation ATX) - En fonction des paramètres dans le champ "Soft-Off By PWR-BTTN" dans le Power Management Setup, ce commutateur est un "bouton à fonction d'alimentation double" qui permettra à votre système d'entrer en mode Soft-Off ou Suspension.
2. Quand le système est en état S1 (POS - Suspension d'Alimentation), la LED Verte et la LED Marche/Veille clignoteront à chaque seconde.
3. Quand le système est en état S3 (STR - Suspension sur RAM), la LED de Marche/Veille clignotera toutes les 4 secondes.
4. En cas d'échec de démarrage de votre PC et si le LED du Courant/En attente (Power/Standby) n'est pas lumineux à la suite de démarrer votre ordinateur, il serait possible que votre CPU ou module de carte mémoire n'était pas installé correctement. Veuillez vérifier s'ils étaient bien insérés sur les endroits correspondants.

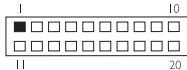
- Deutsch**
1. ATX-SW (ATX-Netzschalter) – Je nach der Einstellung im "Soft-Off By PWR-BTTN"-Feld im Power-Management-Setup kann dieser Schalter als "Netzschalter mit doppelter Funktion" funktionieren, mit dem Ihr System ausgeschaltet oder in den Suspendier-Modus geschaltet werden kann.
  2. Befindet sich das System im S1-Status (POS – Einschalten bei Suspendieren), blinkt das grüne LED und das Standby/Betriebsanzeige-LED jede Sekunde.
  3. Befindet sich das System im S3-Status (STR – Suspendieren auf RAM), blinkt das Standby-/Betriebsanzeige-LED alle 4 Sekunden.
  4. Falls das System nicht gestartet wird und die Power/Standby-LED-Anzeige nach dem Einschalten nicht aufleuchtet, kann dies darauf hindeuten, daß der CPU oder das Speichermodul nicht richtig installiert wurden. Stellen Sie sicher, daß diese in ihre entsprechende Steckfassung richtig installiert sind.
- Español**
1. ATX-SW (ATX Interruptor de Encendido) – Dependiendo en la configuración en el campo de "Soft-Off By PWR-BTTN" en la Configuración de Power Management Setup, este interruptor es el "botón de energía de doble función" que permite su sistema de entrar al modo de Soft-Off o modo de Suspend.
  2. Cuando el sistema es en el estado de S1 ( POS – Suspend Encendida), el LED Verde y Energía/LED Preparado parpadeará en cada segundo.
  3. Cuando el sistema es en el estado de S3 (STR – Suspend a Ram), el LED de Energía/Preparado parpadeará cada 4 segundos.
  4. Si el sistema no puede arrancar y el LED de Power/Standby no ilumina después que este fué encendido, este puede indicar que el CPU o el módulo de la memoria no fué instalado propiamente. Favor de asegurar que ellos son propiamente insertados en sus enchufes correspondientes.

## 2.8.18 Power Connector

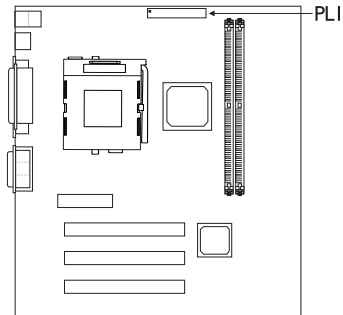
Connecteur d'Alimentation

Netzanschluß

Conector de Energía



1: 3.3V	11: 3.3V
2: 3.3V	12: -12V
3: Ground	13: Ground
4: +5V	14: PS-ON
5: Ground	15: Ground
6: +5V	16: Ground
7: Ground	17: Ground
8: PW-OK	18: -5V
9: 5VSB	19: +5V
10: +12V	20: +5V



**English** The system board requires a minimum of 3.3V/6A electric current.

**Français** La carte du système exige un minimum de 3.3V/6A courant électrique.

**Deutsch** Das Systembrett erfordert ein Minimum von 3.3V/6A elektrischer Strom.

**Español** La carta del sistema requiere un mínimo de 3.3V/6A corriente eléctrica.





## 3.2 Setting the Date and Time

Paramétrage de la Date et de l'Heure

Einstellen des Datums und der Zeit

Configurando la Fecha y el Tiempo

CMOS Setup Utility - Copyright (C) 1984-1999 Award Software  
Standard CMOS Features

Date (mm:dd:yy)	Sat, Jan 2 1999	Item Help
Time (hh:mm:ss)	4 : 35 : 5	Menu Level
IDE Primary Master	Press Enter None	Change the day, month, year and century
IDE Primary Slave	Press Enter None	
IDE Secondary Master	Press Enter None	
IDE Secondary Slave	Press Enter None	
Drive A	1.44M, 3.5 in.	
Drive B	None	
Video	EGA/VGA	
Halt On	All Errors	
Base Memory	640K	
Extended Memory	129024K	
Total Memory	130048K	
↑↓→← Move Enter:Select +/-/PU/PD:Value F10:Save ESC:Exit F1:General Help F5:Previous Values F6:Fail-Safe Defaults F7:Optimized Defaults		

The settings on the screen are for reference only. Your version may not be identical to this one.

- English**
1. Select "Standard CMOS Features" in the main menu screen and press <Enter>.
  2. Set the correct date and time in the "Date" and "Time" fields respectively.
- Français**
1. Sélectionnez "Standard CMOS Features" dans l'écran du programme principal et appuyez sur <Entrée>.
  2. Sélectionnez la date et l'heure correcte dans les champs "Date" et "Time" respectivement.
- Deutsch**
1. "Standard CMOS Features" in dem Hauptbildschirm auswählen, und die Eingabetaste (Enter) drücken.
  2. Jeweils korrekte Werte in die Eingabefelder "Date" (Datum) und "Time" (Zeit) eingeben.
- Español**
1. Selecciona en la pantalla del menú principal las "Standard CMOS Features" y presiona <Enter>.
  2. Configura respectivamente el campo de "Date" y "Time" correcto.

## 3.3 Selecting the Hard Drive and Floppy Drive Type

Sélectionnez le Type de Disque Dur et de Lecteur de Disquette

Auswahl der Festplatte und des Diskettenlaufwerks

Seleccionando la Unidad de Disco Duro y Tipo de Unidad de Disquete

CMOS Setup Utility - Copyright (C) 1984-1999 Award Software  
Standard CMOS Features

Date (mm:dd:yy)	Sat, Jan 2 1999	Item Help
Time (hh:mm:ss)	4 : 35 : 5	
IDE Primary Master	Press Enter None	Menu Level  To enter next page for detail hard drive settings.
IDE Primary Slave	Press Enter None	
IDE Secondary Master	Press Enter None	
IDE Secondary Slave	Press Enter None	
Drive A	1.44M, 3.5 in.	
Drive B	None	
Video	EGA/VGA	
Halt On	All Errors	
Base Memory	640K	
Extended Memory	129024K	
Total Memory	130048K	
↑↓→← Move Enter:Select +/-/PU/PD:Value F10:Save ESC:Exit F1:General Help F5:Previous Values F6:Fail-Safe Defaults F7:Optimized Defaults		

The settings on the screen are for reference only. Your version may not be identical to this one.

English

1. Select "Standard CMOS Features" in the main menu screen and press <Enter>.
2. Move the cursor to the "IDE Primary Master", "IDE Primary Slave", "IDE Secondary Master" or "IDE Secondary Slave" field, then press <Enter>.
  - Select "IDE HDD Auto Detection" to detect the parameters of the drive. These parameters will automatically be shown on the screen.
  - If you wish to define your own drive type manually, select "Manual". This information should be included in the documentation from your hard disk vendor. If you select "Auto", the BIOS will auto-detect the HDD & CD-ROM drive at the POST stage and show the IDE for the HDD & CD-ROM drive. If a hard disk has not been installed, select "None".
  - Move to the "Access Mode" field. For hard drives larger than 528MB, you would typically select the LBA type. Certain operating systems require that you select Normal or Large. Please check your operating system's manual or Help desk on which one to select.
3. Set the type of floppy drive installed in the "Drive A" and "Drive B" fields. The options are None, 360K, 1.2M, 720K, 1.44M and 2.88M.

Français

1. Sélectionnez "Standard CMOS Features" dans l'écran du programme principal et appuyez sur <Entrée>.
2. Déplacez le curseur sur le champ de "IDE Primary Master", "IDE Primary Slave", "IDE Secondary Master" ou "IDE Secondary Slave", puis appuyez sur <Entrée>.
  - Sélectionnez "IDE HDD Auto Detection" pour détecter les paramètres du disque dur. Ces paramètres seront automatiquement affichés à l'écran.
  - Si vous désirez définir votre propre lecteur manuellement, sélectionnez "Manual". Ces informations devraient être incluses dans la documentation provenant du fabricant de votre disque dur. Si vous sélectionnez "Auto",

le BIOS détectera automatiquement le Disque Dur & le lecteur CD-ROM durant la phase du POST et affichera le IDE pour le Disque Dur & et le lecteur CD-ROM. Si aucun disque dur n'a été installé, sélectionnez "None".

- Déplacez vous sur le champ "Access Mode". Pour les disques durs d'une capacité supérieure à 528 Mo, vous sélectionnez d'une façon générale le type LBA. Certains systèmes d'exploitation nécessitent que vous sélectionnez Normal ou Large. Veuillez vous reporter au manuel de votre système d'exploitation ou à l'Aide en ce qui concerne celui que vous devez sélectionner.
3. Paramétrez le type de lecteur de disquette installé dans les champs "Drive A" et "Drive B". Les options sont None, 360K, 1.2M, 720K, 1.44M et 2.88M.

**Deutsch**

1. "Standard CMOS Features" in dem Hauptbildschirm auswählen, und die Eingabetaste (Enter) drücken.
2. Den Cursor auf das Feld "IDE Primary Master", "IDE Primary Slave", "IDE Secondary Master" oder "IDE Secondary Slave" bewegen und dann die Eingabetaste (Enter) drücken.
  - Wählen Sie "IDE HDD Auto Detection" aus, um die Parameter des Laufwerks zu entdecken. Diese Parameter erscheinen automatisch auf dem Schirm.
  - Falls Sie Ihren Laufwerktyp selbst bestimmen möchten, wählen Sie "Manual" aus. Diese Informationen müssen im Handbuch von Ihrem Festplattenverkäufer vorhanden sein. Wählen Sie "Auto" aus, wird das Festplatten- und das CD-ROM-Laufwerk durch das BIOS automatisch entdeckt und der IDE für das Festplatten- und CD-ROM-Laufwerk wird angezeigt. Falls keine Festplatte installiert wurde, wählen Sie "None" aus.
  - Den Cursor auf das Feld "Access Mode" bewegen. Für Festplattenlaufwerke mit einer Kapazität von mehr als 528MB wird typischerweise der LBA-Typ ausgewählt. Für bestimmte Betriebssysteme muß "Normal" oder "Large" ausgewählt werden. Angaben zur richtigen Auswahl sind im Handbuch des Betriebssystems oder im Hilfe-Desk enthalten.
3. Im Eintrag "Floppy Drive" (Diskettenlaufwerk) wählen Sie "Drive A" (Laufwerk A) und "Drive B" (Laufwerk B). Die Optionen sind None (Kein), 360K, 1.2M, 720K, 1.44M und 2.88M.

**Español**

1. Selecciona en la pantalla del menú principal las "Standard CMOS Features" y presiona <Enter>.
2. Mueve el cursor al campo de "IDE Primary Master", "IDE Primary Slave", "IDE Secondary Master" o "IDE Secondary Slave", luego presiona <Enter>.
  - Selecciona "IDE HDD Auto Detection" para detectar los parámetros de la unidad. Estos parámetros serán automáticamente señalados en la pantalla.
  - Si desea usted definir manualmente su propio tipo de unidad, selecciona "Manual". Esta información debería de ser incluida en la documentación desde su vendedor de disco duro. Si selecciona "Auto", el BIOS auto-detectará la unidad de HDD & CD-ROM en la tabla de POST y señala el IDE para la unidad de HDD & CD-ROM. Si el disco duro no ha sido instalado, selecciona "None"("Ninguno").
  - Mueve hacia el campo de "Access Mode". Para unidades duros mayores que 528MB, usted seleccionaría típicamente el tipo de LBA. Ciertos sistemas operativos requieren que usted selecciona Normal o Large. Favor de examinar su manual de sistema operativo o pantalla de Ayuda en cuál debe seleccionar.
3. Configura el tipo del disquete instalado en los campos de "Drive A" y "Drive B". Las opciones son None, 360K, 1.2M, 720K, 1.44M y 2.88M.

## 3.4 Selecting the Boot Sequence of the Drives

Sélection de la Séquence d'Amorçage des Lecteurs

Bestimmen der Startreihenfolge der Laufwerke

Seleccionando la Secuencia de Inicio de las Unidades de Disco

CMOS Setup Utility - Copyright (C) 1984-1999 Award Software  
Advanced BIOS Features

Virus Warning	Disabled	Item Help
CPU L1 Cache	Enabled	Menu Level
CPU L2 Cache	Enabled	
CPU L2 Cache ECC Checking	Enabled	
Quick Power On Self Test	Enabled	Select your boot device priority.
<b>First Boot Device</b>	<b>Floppy</b>	
<b>Second Boot Device</b>	<b>HDD-0</b>	
<b>Third Boot Device</b>	<b>LS/ZIP</b>	
<b>Boot Other Device</b>	<b>Enabled</b>	
Swap Floppy Drive	Disabled	
Boot Up Floppy Seek	Disabled	
Boot Up NumLock Status	Off	
Typematic Rate Setting	Disabled	
Typematic Rate (Chars/Sec)	6	
Typematic Delay (Msec)	250	
Security Option	Setup	
OS Select For DRAM > 64MB	Non-OS2	
HDD S.M.A.R.T. Capability	Disabled	
↑↓→← Move Enter:Select +/-/PU/PD:Value F10:Save ESC:Exit F1:General Help F5:Previous Values F6:Fail-Safe Defaults F7:Optimized Defaults		

The settings on the screen are for reference only. Your version may not be identical to this one.

English

1. Select "Advanced BIOS Features" in the main menu screen and press <Enter>.
2. Select the drive to boot first, second and third in the "First Boot Device" "Second Boot Device" and "Third Boot Device" fields respectively. The BIOS will boot the operating system according to the sequence of the drive selected. The options are: Floppy, LS/ZIP, HDD-0, SCSI, CDROM, HDD-1, HDD-2, HDD-3, LAN and Disable. Set "Boot Other Device" to Enabled if you wish to boot from another device.

Français

1. Sélectionnez "Advanced BIOS Features" dans l'écran de programme principal et appuyez sur <Entrée>.
2. Sélectionnez le lecteur sur lequel amorcer en premier, en second et en troisième dans les champs "First Boot Device" "Second Boot Device" et "Third Boot Device" respectivement. Le BIOS amorcera le système d'exploitation en fonction de la séquence de lecteur sélectionnée. Les options sont: Floppy, LS/ZIP, HDD-0, SCSI, CDROM, HDD-1, HDD-2, HDD-3, LAN et Disable. Positionnez "Boot Other Device" sur Enabled si vous désirez amorcer à partir d'un autre périphérique.

Deutsch

1. "Advanced BIOS Features" in dem Hauptbildschirm auswählen, und die Eingabetaste (Enter) drücken.
2. Im Feld "First Boot Device" "Second Boot Device" und "Third Boot Device" wählen Sie jeweils das Gerät aus, das als erstes, zweites bzw. drittes geladen werden soll. Das Betriebssystem wird durch das BIOS gemäß der Reihenfolge des ausgewählten Laufwerks geladen. Die Optionen sind: Floppy, LS/ZIP, HDD-0, SCSI, CDROM, HDD-1, HDD-2, HDD-3, LAN und Disable. Stellen Sie "Boot Other Device" auf Enabled, falls Sie von einem anderen Gerät aus laden möchten.

- Español**
1. Selecciona en la pantalla del menú principal las "Advanced BIOS Features" y presiona <Enter>.
  2. Selecciona la unidad de disco para iniciar respectivamente en primero, segundo y tercero en los campos "First Boot Device" "Second Boot Device" y "Third Boot Device". El BIOS iniciará el sistema operativo según a la secuencia de la unidad seleccionada. Las opciones son: Floppy, LS/ZIP, HDD-0, SCSI, CDROM, HDD-1, HDD-2, HDD-3, LAN y Disable.. Configura "Boot Other Device" a Enabled si usted desea de iniciar desde otro dispositivo.

### 3.5 Enabling the AC97 Modem

#### Activation du Modem AC97

#### Das AC97-Modem aktivieren

#### Activando el Módem AC97

CMOS Setup Utility - Copyright (C) 1984-1999 Award Software  
Integrated Peripherals

On-Chip Primary PCI IDE	Enabled	↑ ↓	Item Help
On-Chip Secondary PCI IDE	Enabled		Menu Level
IDE Primary Master PIO	Auto		
IDE Primary Slave PIO	Auto		
IDE Secondary Master PIO	Auto		
IDE Secondary Slave PIO	Auto		
IDE Primary Master UDMA	Auto		
IDE Primary Slave UDMA	Auto		
IDE Secondary Master UDMA	Auto		
IDE Secondary Slave UDMA	Auto		
USB Controller	Enabled		
USB Keyboard Support	Disabled		
Init Display First	PCI Slot		
AC97 Audio	Auto		
<b>AC97 Modem</b>	<b>Auto</b>		
IDE HDD Block Mode	Enabled		
Keyboard/Mouse Power On	Disabled		
X KB Power On Password	Enter		
X KB Power On Hot Key	Ctrl-F1		
↑↓←→ Move Enter:Select +/-/PU/PD:Value F10:Save ESC:Exit F1:General Help F5:Previous Values F6:Fail-Safe Defaults F7:Optimized Defaults			

The settings on the screen are for reference only.Your version may not be identical to this one.

- English**
1. Select "Integrated Peripherals" in the main menu screen and press <Enter>.
  2. If you have installed a modem riser or audio/modem riser card in the AMR slot, make sure the "AC97 Modem" field is set to Auto.
- Français**
1. Sélectionnez "Integrated Peripherals" dans l'écran de programme principal et appuyez sur <Entrée>.
  2. Si vous avez installé un élévateur de modem ou un élévateur de carte audio/modem dans le logement AMR, vous devez positionner le champ "AC97 Modem" sur Auto.
- Deutsch**
1. "Integrated Peripherals" in dem Hauptbildschirm auswählen, und die Eingabetaste (Enter) drücken.
  2. Falls eine Modem-Riser- oder eine Audio/Modem-Riser-Karte in der AMR-Steckfassung installiert wurde, muß im Feld "AC97 Modem" Auto ausgewählt werden.
- Español**
1. Selecciona "Integrated Peripherals" en la pantalla del menú principal y presiona <Enter>.
  2. Si ha instalado la tarjeta del elevador de módem o la tarjeta elevador de audio/módem en la ranura del AMR, usted debe configurar el campo de "AC97 Modem" a Auto.

## 3.6 Setting the Wake-On-Keyboard/Mouse Function

Activer la Fonction Réveil-Sur-Clavier/Souris

Aktivieren der Wake-On Tastatur/Maus Funktion

Configurando la Función de Despertarse el Teclado/Ratón

CMOS Setup Utility - Copyright (C) 1984-1999 Award Software  
Integrated Peripherals

		Item Help
On-Chip Primary PCI IDE	Enabled	Menu Level
On-Chip Secondary PCI IDE	Enabled	
IDE Primary Master PIO	Auto	
IDE Primary Slave PIO	Auto	
IDE Secondary Master PIO	Auto	
IDE Secondary Slave PIO	Auto	
IDE Primary Master UDMA	Auto	
IDE Primary Slave UDMA	Auto	
IDE Secondary Master UDMA	Auto	
IDE Secondary Slave UDMA	Auto	
USB Controllor	Enabled	
USB Keyboard Support	Disabled	
Init Display First	PCI Slot	
AC97 Audio	Auto	
AC97 Modem	Auto	
IDE HDD Block Mode	Enabled	
<b>Keyboard/Mouse Power On</b>	<b>Disabled</b>	
X KB Power On Password	Enter	
X KB Power On Hot Key	Ctrl-F1	

↑↓→← Move Enter:Select +/-/PU/PD:Value F10:Save ESC:Exit F1:General Help  
F5:Previous Values F6:Fail-Safe Defaults F7:Optimized Defaults

The settings on the screen are for reference only. Your version may not be identical to this one.

English

1. Select "Integrated Peripherals" in the main menu screen and press <Enter>.
2. Select "Keyboard/Mouse Power On". The options are:

Disabled Default setting.

**Warning:**

If JP5 was previously enabled with a password set in the "KB Power On Password" field, and now you wish to disable the keyboard password function, make sure to set this field to disabled prior to setting JP5 to disabled (1-2 On). You will not be able to boot up the system if you fail to do so.

**Password** When this option is selected, move the cursor to the "KB Power On Password" field and press <Enter>. Enter your password. You can enter up to 5 characters. Type in exactly the same password to confirm, then press <Enter>.

**Important:**

The power button will not function once a keyboard password has been set in the "KB Power On Password" field. You must type the correct password to power-on the system. If you forgot the password, power-off the system and remove the battery. Wait for a few seconds and install it back before powering-on the system.

**Hot Key** When this option is selected, move the cursor to the "KB Power On Hot Key" field to select a function key you would like to use to power-on the system. The options are from Ctrl-F1 to Ctrl-F12.

**Mouse Left** When this option is selected, double-click the left button of the mouse to power-on the system.

**Mouse Right** When this option is selected, double-click the right button of the mouse to power-on the system.

## Award BIOS Setup Utility

Any Key You can press any key to power-on the system.  
 Keyboard 98 When this option is selected, press the "wake up" key of the Windows® 98 compatible keyboard to power-on the system.

**Important:**

Make sure JP5 is set to 2-3 On. Refer to "Jumper Settings for Wake-On-Keyboard/Mouse" in chapter 2 of this manual for more information.

Français

1. Sélectionnez "Integrated Peripherals" dans l'écran de programme principal et appuyez sur <Entrée>.
2. Sélectionnez "Keyboard/Mouse Power On". Les options sont:  
 Disabled Valeur par défaut.

**Attention:**

Si JP5 a été activé précédemment avec un mot de passe paramétré dans le "KB Power On Password", et que vous désirez maintenant désactiver la fonction de Réveil par Clavier (mot de passe), assurez-vous de positionner le champ sur désactivé avant de positionner JP5 sur désactivé (1-2 Sélectionné). Si vous ne procédez pas ainsi, vous ne pourrez pas amorcer le système.

Password Quand cette option est sélectionnée, la rubrique "KB Power On Password" apparaîtra. Déplacez votre curseur dans cette rubrique et appuyez sur Entrée. Entrez votre mot de passe. Vous pouvez entrer jusqu'à 5 caractères. Tapez exactement le même mot de passe pour confirmer et appuyez sur Entrée.

**Important:**

Le bouton de mise sous tension ne fonctionnera plus une fois qu'un mot de passe aura été entré dans le champ "KB Power On Password". Vous devez taper le mot de passe correct pour allumer votre système. Si vous oubliez votre mot de passe, éteignez le système et retirez la batterie. Attendez quelques secondes et réinstallez-la avant de rallumer le système.

Hot Key Quand cette option est choisie, la rubrique "KB Power On Hot Key" apparaîtra. Déplacez le curseur dans cette rubrique pour sélectionner la touche de fonction que vous souhaitez utiliser pour allumer le système. Les options vont de Ctrl-F1 à Ctrl-F12.

Mouse Left Quand cette option est choisie, double-cliquez sur le bouton gauche de la souris pour allumer le système.

Mouse Right Quand cette option est choisie, double-cliquez sur le bouton droit de la souris pour allumer le système.

Any Key Vous pouvez appuyez sur n'importe quelle touche pour allumer le système.

Keyboard 98 Quand cette option est sélectionnée, appuyez sur la touche "Réveil" du clavier compatible Windows® 98 pour activer le système.

**Important:**

Assurez vous que JP5 est positionné sur la sélection 2-3. Pour plus de renseignements, reportez-vous à "Positionnement des Cavaliers pour Réveil-Sur-Clavier/Souris" au chapitre de ce manuel.

## Award BIOS Setup Utility

**Deutsch**

1. "Integrated Peripherals" in dem Hauptbildschirm auswählen, und die Eingabetaste (Enter) drücken.
2. Im "Keyboard/Mouse Power On" Feld sind folgende Optionen möglich:  
Disabled Voreinstellung.

**Warnung:**

Falls JP5 zuvor mit einem Kennwort im Feld "KB Power On Password" aktiviert worden ist und Sie nun die Funktion Wake-On-Keyboard (Kennwort) deaktivieren wollen, muß dieses Feld auf Deaktiviert eingestellt werden, bevor JP5 auf Deaktiviert (1-2 Ein) eingestellt wird, da sonst das System nicht gestartet werden kann.

**Password** Wenn diese Option gewaehlt wird, wird das "KB Power On Password" -Feld erscheinen. Bewegen Sie den Cursor auf dieses Feld und druecken Sie <Enter>. Geben Sie Ihr Passwort ein. Sie koennen bis zu 5 Zeichen eingeben. Tippen Sie nocheinmal genau dasselbe Passwort ein, um dieses zu bestaetigen und druecken Sie dann <Enter>.

**Wichtig:**

Nach dem Einstellen eines Tastatur-Kennwortes im Feld "KB Power On Password" wird die Netztaete nicht funktionieren. Zum Einschalten des Systems muß das richtige Kennwort eingegeben werden. Falls Sie das Kennwort vergessen haben, schalten Sie das System aus. Dann die Batterie entfernen. Warten Sie einige Sekunden und installieren Sie danach die Batterie wieder, bevor Sie das System erneut einschalten.

**Hot Key** Wenn diese Option gewaehlt wird, wird das Feld fuer die "KB Power On Hot Key" fuer den Start des Computers erscheinen. Bewegen Sie die Maus auf dieses Feld um eine Tastenkombination zu waehlen, mit der Sie das System starten moechten. Die Optionen sind Ctrl-F1 bis Ctrl-F12.

**Mouse Left** Wenn diese Option gewaehlt wird, druecken Sie zweimal die linke Maustaste, um das System zu starten.

**Mouse Right** Wenn diese Option gewaehlt wird, druecken Sie zweimal die rechte Maustaste, um das System zu starten.

**Any Key** Sie koennen jede Taste druecken, um das System zu starten.

**Keyboard 98** Wenn diese Option gewaehlt wurde, druecken Sie die "Aufweck"-Taste der mit dem Windows® 98 kompatiblen Tastatur, um das System einzuschalten.

**Wichtig:**

Es ist darauf zu achten, daß sich JP5 in der Einstellung 2-3 An befindet. Schauen Sie unter "Jumpereinstellungen für die Wake-On-Tastatur/Maus" in Kapitel 2 dieses Handbuches nach, um weitere Information zu erhalten.



Español

1. Selecciona "Integrated Peripherals" en la pantalla del menú principal y presiona <Enter>.
2. Selecciona "Keyboard/Mouse Power On". Las opciones son:  
     Disabled      Configuración de Implícito

**Advertencia:**

Si el JP5 fué previamente activado con la contraseña configurado en el campo de "KB Power On Password", y ahora usted desea de desactivar la función de contraseña del teclado, asegurar de configurar este campo a desactivado antes de configurar JP5 a desactivado. (1-2 On). No podrá usted de iniciar el sistema si usted fracasa de hacerlo.

*Password* Cuando esta opción es selecta, mueve el cursor al campo de "KB Power On Password" y presiona <Enter>. Introduce su contraseña. Usted puede introducir hasta 5 caracteres. Teclaa exactamente la misma contraseña para confirmar, luego presiona <Enter>.

**Importante:**

El botón de energía no funcionará una vez que la contraseña del teclado ha sido configurado en el campo de "KB Power On Password". Usted debe teclear la contraseña correcta para encender el sistema. Si usted olvidó la contraseña, apaga el sistema y quita la batería. Espere por unos segundos e instálalo de nuevo antes de encender el sistema.

*Hot Key* Cuando esta opción es selecta, mueve el cursor al campo de "KB Power On Hot Key" para seleccionar la tecla de función que usted le gustaría utilizar para encender el sistema. Las opciones son desde Ctrl-F1 o Ctrl-F12.

*Mouse Left* Cuando esta opción es selecta, cliquea doblemente el botón izquierdo del ratón para encender el sistema.

*Mouse Right* Cuando esta opción es selecta, cliquea doblemente el botón derecho del ratón para encender el sistema.

*Any Key* Usted puede presiona cualquier tecla para encender el sistema.

*Keyboard 98* Cuando esta opción es selecta, presiona la tecla de "despertar" del teclado compatible de Window® 98 para encender el sistema.

**Importante:**

Asegurar que el JP5 es configurado a 2-3 On. Consultar a "Configuraciones de Saltador para Teclado/Ratón de Despertar" en el capítulo 2 de este manual para más información.

## 3.7 Selecting the Power Lost Resume State

Choisir l'état de Redémarrage Après Coupure de Courant

Auswählen des "PWR Lost Resume" Status

Seleccionando el Estado de Reanudar de la Pérdida de Energía

CMOS Setup Utility - Copyright (C) 1984-1999 Award Software  
Integrated Peripherals

AC97 Modem	Auto	↑ ↓	Item Help
IDE HDD Block Mode	Enabled		Menu Level
Keyboard/Mouse Power On	Disabled		
KB Power On Password	Enter		
KB Power On Hot Key	Ctrl-F1		
Onboard FDC Controller	Enabled		
Onboard Serial Port 1	3F8/IRQ4		
Onboard Serial Port 2	2F8/IRQ3		
UART2 Mode Select	Normal		
X Rx/D, Tx/D Active	Hi,Lo		
X IR Transmission Delay	Enabled		
Onboard Parallel Port	378/IRQ7		
Parallel Port Mode	ECP+EPP		
EPP Mode Select	EPP1.7		
ECP Mode Use DMA	3		
<b>PWR Lost Resume State</b>	<b>Keep Off</b>		
Game Port Address	201		
Midi Port Address	290		
X Midi Port IRQ	10		
↑↓→← Move Enter:Select +/-/PU/PD:Value F10:Save ESC:Exit F1:General Help F5:Previous Values F6:Fail-Safe Defaults F7:Optimized Defaults			

The settings on the screen are for reference only. Your version may not be identical to this one.

**English**

1. Select "Integrated Peripherals" in the main menu screen and press <Enter>.
2. Select the "PWR Lost Resume State" field. The options are:
  - Keep Off* When power returns after an AC power failure, the system's power is off. You must press the Power button to power-on the system.
  - Turn On* When power returns after an AC power failure, the system will automatically power-on.
  - Last State* When power returns after an AC power failure, the system will return to the state where you left off before power failure occurs. If the system's power is off when AC power failure occurs, it will remain off when power returns. If the system's power is on when AC power failure occurs, the system will power-on when power returns.

**Français**

1. Sélectionnez "Integrated Peripherals" dans l'écran de programme principal et appuyez sur <Entrée>.
2. Sélectionnez "PWR Lost Resume State". Les options sont
  - Keep Off* Quand l'alimentation revient après une coupure d'alimentation CA, le système est éteint. Vous devez appuyer sur l'interrupteur d'Alimentation pour allumer le système.
  - Turn On* Quand l'alimentation revient après une coupure d'alimentation CA, le système s'allumera automatiquement.
  - Last State* Quand l'alimentation revient après une coupure d'alimentation CA, le système retournera à l'état où vous l'avez laissé avant la coupure d'alimentation. Si le système est éteint quand la coupure d'alimentation CA se produit, il restera éteint lorsque le courant sera rétabli. Si le système est allumé quand la coupure d'alimentation se produit, le système s'allumera lorsque le courant sera rétabli.

- Deutsch**
1. "Integrated Peripherals" in dem Hauptbildschirm auswählen, und die Eingabetaste (Enter) drücken.
  2. In dem Feld "PWR Lost Resume State". Die Optionen sind:
    - Keep Off* Beim Wiederherstellen der Stromversorgung nach einem Wechselstromausfall wird der Betrieb des Systems ausgeschaltet. Drücken Sie auf die Netztaaste, um das System einzuschalten.
    - Turn On* Beim Wiederherstellen der Stromversorgung nach einem Wechselstromausfall wird das System automatisch eingeschaltet.
    - Last State* Beim Wiederherstellen der Stromversorgung nach einem Wechselstromausfall kehrt das System in den Status zurück, in welchem es sich beim Auftreten des Stromausfalles befand. Falls das System beim Auftreten des Stromausfalles ausgeschaltet war, wird das System beim Wiederherstellen der Stromversorgung nicht eingeschaltet. Falls die Stromversorgung des Systems beim Auftreten des Wechselstromausfalles eingeschaltet war, wird es beim Wiederherstellen der Stromversorgung eingeschaltet.

- Español**
1. Selecciona "Integrated Peripherals" en la pantalla del menú principal y presiona <Enter>.
  2. Selecciona el campo de "PWR Lost Resume State". Las opciones son:
    - Keep Off* Cuando la energía vuelve después del fracaso de energía AC, la energía del sistema es apagado. Usted debe presionar el botón de Energía para encender el sistema.
    - Turn On* Cuando la energía vuelve después del fracaso de energía AC, el sistema volverá a encender automáticamente.
    - Last State* Cuando la energía vuelve después del fracaso de energía AC, el sistema volverá al estado donde usted dejó antes de ocurrir el fracaso de energía. Si la energía del sistema es apagado cuando ocurre el fracaso de energía AC, éste permanecerá apagado cuando vuelve la energía. Si la energía del sistema es encendida cuando ocurre el fracaso de energía AC, el sistema se encenderá cuando vuelve la energía.

## 3.8 Selecting the CPU Ratio

Sélection du Rapport de CPU

Das CPU-Verhältnis auswählen

Seleccionando la Proporción de CPU

CMOS Setup Utility - Copyright (C) 1984-1999 Award Software  
CPU Frequency Control

CPU Clock/Spread Spectrum	66MHz/On	Item Help
<b>CPU Ratio</b>	<b>X 3</b>	Menu Level
↑↓→← Move    Enter:Select    +/-/PU/PD:Value    F10:Save    ESC:Exit    F1:General Help F5:Previous Values    F6:Fail-Safe Defaults                            F7:Optimized Defaults		

The settings on the screen are for reference only.Your version may not be identical to this one.

English

1. Select "CPU Frequency Control" in the main menu screen and press <Enter>.
2. Select the frequency ratio of the processor in the "CPU Ratio" field. However, the frequency ratio of some processors has been fixed by the manufacturer. If you are using such kind of a processor, the setting in this field will have no effect.

If you are unable to boot up the system with the option you selected, there are 2 methods of booting up the system and going back to its default setting.

Method 1: Clear the CMOS data by setting JP2 to 2-3 On. All fields in the BIOS Setup will automatically be set to their default settings.

Method 2: Press the <Insert> key and power button simultaneously, then release the power button first. Keep-on pressing the <Insert> key until the power-on screen appears. This will allow the system to boot according to the FSB of the processor. Now press the <Del> key to enter the Award BIOS setup utility. Select "CPU Frequency Control" and set the "CPU Ratio" field to its default setting or an appropriate frequency ratio.

**Note:**

- Use a PS/2 or AT (requires a DIN to mini DIN adapter) keyboard for method 2.
- When using a 66MHz FSB processor, the system memory clock is 3/2 of the CPU's external bus clock and the PCI clock is 1/2 of the CPU's external bus clock.
- When using a 100MHz FSB processor, the system memory clock is the same as the CPU's external bus clock and the PCI clock is 1/3 of the CPU's external bus clock.

## Award BIOS Setup Utility

- When using a 133MHz FSB processor, the system memory clock is 3/4 of the CPU's external bus clock and the PCI clock is 1/4 of the CPU's external bus clock.

**Français**

1. Sélectionnez "CPU Frequency Control" dans l'écran de programme principal et appuyez sur <Entrée>.
2. Sélectionnez le rapport de fréquence du processeur dans le champ "CPU Ratio". Cependant, le rapport de fréquence de certains processeurs a été fixé par le fabricant. Si vous utilisez un tel processeur, le paramétrage de ce champ n'aura aucun effet.

Si vous sélectionnez une option et que vous ne puissiez pas amorcer le système, il y a deux méthodes pour amorcer le système et retourner à ses paramètres par défaut.

Méthode 1: Effacez les données du CMOS en positionnant les broches 2 et 3 du cavalier JP2 sur On. Tous les champs dans le programme d'installation du BIOS seront positionnés automatiquement à leur valeur par défaut.

Méthode 2: Appuyez sur la touche <Insert> et le bouton de mise sous tension simultanément, puis relâchez tout d'abord le bouton de mise sous tension. Vous devez continuer à appuyer sur la touche <Insert> jusqu'à ce que l'écran de mise en route apparaisse. Ceci permettra au système de redémarrer en fonction du FSB du processeur. Maintenant appuyez sur la touche <Del> afin d'entrer dans l'utilitaire d'installation du Award BIOS. Sélectionnez "CPU Frequency Control" et positionnez le champ "CPU Ratio" sur défaut ou sur le rapport de fréquence approprié du processeur.

**Note:**

- Pour la méthode 2, utilisez un clavier PS/2 ou AT (ceci nécessite un adaptateur DIN à mini DIN).
- Lorsque vous utilisez un processeur FSB 66MHz, l'horloge de la mémoire système est au 3/2 de l'horloge de bus externe du CPU et l'horloge PCI est à 1/2 de l'horloge de bus externe de CPU.
- Lorsque vous utilisez un processeur FSB 100MHz, l'horloge de mémoire système est la même que l'horloge de bus externe du CPU et l'horloge PCI est au 1/3 de l'horloge de bus externe du CPU.
- Quand vous utilisez un processeur FSB 133MHz, l'horloge de la mémoire système est au 3/4 de l'horloge de bus externe du CPU et l'horloge PCI est au 1/4 de l'horloge de bus externe du CPU.

**Deutsch**

1. "CPU Frequency Control" in dem Hauptbildschirm auswählen, und die Eingabetaste (Enter) drücken.
2. In dem Feld "CPU Ratio". In diesem Datenfeld wird das Frequenzverhältnis des Prozessors ausgewählt. Das Frequenzverhältnis einiger Prozessoren wurde jedoch durch den Hersteller fest eingestellt. Falls Sie einen solchen Prozessor anwenden, bleibt die Einstellung in diesem Datenfeld wirkungslos.

Falls eine andere Option aber das System nicht gestartet werden kann, stehen zwei Methoden zum Starten des Systems sowie zum Wiederherstellen der Standardeinstellung zur Verfügung.

Methode 1: Die CMOS-Daten müssen die Stifte 2 und 3 der Steckbrücke JP2 auf Ein einstellen. Sämtliche Bereiche im BIOS-Setup werden dann automatisch auf ihre Standardeinstellung eingestellt.

Methode 2: Die Taste <Insert> und die Netztaste gleichzeitig drücken. Dann zuerst die Netztaste loslassen, aber die Taste <Insert> solange gedrückt halten, bis der Einschalt-Schirm erscheint. Dies



### 3.9 Using the Suspend to RAM Function

Utilisation de la Fonction de Suspension sur RAM

Anwendung der Funktion "Suspendieren auf RAM"

Utilizando la Función de Suspend a RAM

CMOS Setup Utility - Copyright (C) 1984-1999 Award Software  
Power Management Setup

ACPI Function	Disabled	Item Help
ACPI Suspend Type	S1(POS)	Menu Level
Power Management	User Define	
Video Off Method	DPMS	
Video Off In Suspend	Yes	
Suspend Mode	Disabled	
HDD Power Down	Disabled	
Soft-Off By PWR-BTTN	Instant-Off	
Resume on PCI Event	Disabled	
Resume on Ring	Disabled	
Resume on LAN	Disabled	
Resume on Alarm	Disabled	
X Date(of Month) Alarm	0	
X Time (hh:mm:ss) Alarm	0 : 0 : 0	

↑↓→← Move Enter:Select +/-/PU/PD:Value F10:Save ESC:Exit F1:General Help  
F5:Previous Values F6:Fail-Safe Defaults F7:Optimized Defaults

The settings on the screen are for reference only.Your version may not be identical to this one.

English

1. Select "Power Management Setup" in the main menu screen and press <Enter>.
2. In the "ACPI Function" field, select "Enabled".
3. In the "ACPI Suspend Type" field, select "S3(STR)".
4. Press <Esc> to return to the main menu.
5. Select "Save & Exit Setup" and press <Enter>. Type <Y> and press <Enter>.
6. (a) Install Windows® 98 by typing the following parameter. This is to ensure that the ACPI function is supported.  

```
[drive]:>setup /p j
```
- (b) If you have previously installed Windows® 98, you need to upgrade the system in order to support ACPI. Please contact Microsoft for upgrade information.
7. Boot Windows® 98. In the Windows® 98 desktop, click the Start button. Move the cursor to Settings, then click Control Panel.
8. Double-click the System icon. In the System Properties dialog box, click the Performance tab.
9. Click File System. In the "Typical role of this computer" field, select "Mobile or docking system". Click Apply, then click OK. Restart the computer.
10. Repeat step 7 to open the Control Panel dialog box. Double-click the Power Management icon.
11. Click the Advanced tab. In the "When I press the power button on my computer" field, select "Standby".
12. (a) After completing the steps above and you want to power-off the computer; you do not need to go through the process of closing files, applications and operating system. You can power-off the computer at once by pressing the power button or selecting "Standby" when you shut down Windows® 98.





4. Die <Esc>-Taste drücken, um zum Hauptmenü zurückzukehren.
5. "Save & Exit Setup" auswählen und die <Enter> drücken. Dann <Y> eingeben und die <Enter> drücken.
6. (a) Installieren Sie Windows® 98, indem Sie den folgenden Parameter eingeben. Hiermit wird sichergestellt, daß die ACPI-Funktion unterstützt wird.

[drive]:>setup /p j

- (b) Falls Windows® 98 bereits installiert wurde, muß das System aktualisiert werden, damit ACPI unterstützt werden kann. Für weitere Informationen über die Aktualisierung wenden Sie sich an Microsoft.
7. Windows® 98 starten. Auf dem Windows® 98-Desktop klicken Sie auf Start. Dann den Cursor auf Einstellungen bewegen und auf Systemsteuerung klicken.
8. Auf das Symbol "System" doppelklicken. Im Dialogfenster "Systemeigenschaften" klicken Sie auf das Register "Leistung".
9. Auf "Dateisystem" klicken. Im Feld "Standardnutzung dieses Computers" wählen Sie "Mobiles oder Docksystem" aus. Auf "Applizieren" und dann auf OK klicken. Den PC neustarten.
10. Zum Öffnen des Dialogfensters "Systemsteuerung" wiederholen Sie Schritt 7. Auf das Symbol "Power-Management" doppelklicken.
11. Auf das Register "Erweitert" klicken. Im Feld "Beim Drücken der Netztaaste des PCs" wählen Sie "Standby" aus.
12. (a) Nachdem Sie die obigen Schritte ausgeführt haben und den PC ausschalten möchten, muß der Vorgang zum Schließen der Dateien, Anwendungen und des Betriebssystems nicht ausgeführt werden. Der PC kann direkt durch Drücken der Netztaaste oder durch Auswählen von "Standby" beim Abschalten des Windows® 98 ausgeschaltet werden.
  - (b) Zum Einschalten des PCs einfach die Netztaaste drücken. Der Betrieb wird in weniger als 8 Sekunden an der Stelle wieder aufgenommen, wo Sie den PC ausgeschaltet haben. Die Netztaaste funktioniert jedoch nicht, falls ein Tastatur-Kennwort im Feld "KB Power On Password" des Submenüs Integrated Peripherals eingestellt wurde. In diesem Fall muß zum Einschalten des PCs das Kennwort eingegeben werden.
  - (c) Falls die Farbe oder die Auflösung abgeändert wurde (im Dialogfenster "Bilschirmeigenschaften"), dürfen die Einstellungen ohne Neustarten nicht angewendet werden. Der PC muß neugestartet werden.

#### Español

1. Selecciona "Power Management Setup" en la pantalla del menú principal y presiona <Enter>.
2. En el campo de "ACPI Function", selecciona "Enabled".
3. En el campo de "ACPI Suspend Type", selecciona "S3(STR)".
4. Presiona <Esc> para volver hacia el menú principal.
5. Selecciona "Save & Exit Setup" y presiona <Enter>. Teclea <Y> y presiona <Enter>.
6. (a) Instala Windows® 98 por tecleando los siguientes parámetros. Esto es para asegurar que la función de ACPI es soportado.

[drive]:>setup /p j

- (b) Si ha instalado anteriormente Windows® 98, usted necesita de actualizar el sistema para soportar ACPI. Favor ponerse en contacto con Microsoft para la información de actualizar.
7. Inicia el Windows® 98. En la pantalla del Windows® 98, cliquea el botón de Inicio. Mueve el cursor a Configuraciones, luego cliquea el Panel de Control.
8. Cliquea doblemente el ícono de Sistema. En la casilla de diálogo de las Propiedades del Sistema, cliquea el tab de Ejecución.



### 3.1.1 Setting the Supervisor/User Password

Définir le Mot de Passe Superviseur/Utilisateur

Aktivieren eines Supervisor / Benutzer Paßwortes

Configurando la Contraseña del Supervisor/Usuario

**English** If you want to protect your system and the setup utility from unauthorized entry, set a password in the "Set Supervisor Password" field. If you want a user to have access only to your system but not to setup, set a password in the "Set User Password" field. Use the arrow keys to highlight the "Set Supervisor Password" or "Set User Password" field and press <Enter>. The message "Enter Password:" will appear. Type in the password. You can enter up to eight characters only. You will then be prompted to confirm the password. Type in exactly the same password. Make sure to set the "Security Option" field in the Advanced BIOS Features submenu to "System" or "Setup". This will depend on when you would like the system to be prompted with a password.

**Français** Si vous désirez protéger votre système et Install contre toute entrée non autorisée, paramétrez un mot de passe dans le champ "Set Supervisor Password". Si vous désirez protéger l'accès à Install seulement, mais pas votre système, paramétrez un mot de passe dans le champ "Set User Password". Utilisez les touches fléchées pour sélectionner le champ "Set Supervisor Password" ou "Set User Password" et appuyez sur <Entrée>. Le message "Enter Password:" ci-dessous apparaîtra. Entrez le mot de passe. Vous êtes limité à huit caractères. Une fois que c'est fait, vous serez invité à confirmer le mot de passe, entrez exactement le même mot de passe. Assurez vous de positionner le champs "Security Option" dans les Advanced BIOS Features submenu sur "System" ou "Setup". Cela dépend du moment où vous désirez que le système vous demande le mot de passe.

**Deutsch** Wenn Sie das "Set Supervisor Password" aktivieren, müssen Sie vor dem Einstieg in das Konfigurationsprogramm ein Kennwort eingeben., während das "Set User Password" den Zugang zu dem Computer ermöglicht. Wählen Sie den Eintrag "Set Supervisor Password" bzw. "Set User Password" und betätigen Sie die Eingabetaste (Enter). Im erscheinenden Dialogfeld - "Enter Password:". Geben Sie Ihr Kennwort mit bis zu 8 Stellen ein. Betätigen Sie die Eingabetaste und geben Sie das Kennwort als Bestätigung erneut ein. Es ist darauf zu achten, daß das Feld "Security Option" in dem Advanced BIOS Features submenu auf "System" oder "Setup" gesetzt ist.

**Español** Si usted desea proteger su sistema y la unidad de configuración de entrada no autorizada, configura la contraseña en el campo de "Set Supervisor Password". Si usted desea que el usuario de tener acceso sólo a su sistema pero no a la configuración, configura la contraseña en el campo de "Set User Password". Utiliza las teclas de flecha para realzar el campo de "Set Supervisor Password" o "Set User Password" y presiona <Enter>. Aparecerá el siguiente mensaje "Enter Password:". Teclea la contraseña. Usted puede introducir sólo hasta 8 caracteres. Luego usted será indicado para confirmar la contraseña. Teclea exactamente la misma contraseña. Asegurar de configurar el campo de "Security Option" en el submenú de las Características de BIOS Avanzado a "System" o "Setup". Este dependerá en cuándo usted le gustaría el sistema de ser indicado con la contraseña.

# Chapter 4 - Supported Softwares

## Logiciels Supportés

## Unterstützte Software

## Softwares Soportados

---

### 4.1 Hardware Doctor Utility

#### Utilitaire Hardware Doctor

#### Hardware-Doktor-Dienstprogramm

#### Utilidad de Doctor de Hardware

**English**

The system board comes with a Hardware Doctor utility contained in the provided CD. This utility is capable of monitoring the system's "health" conditions and allows you to manually set a range (Highest and Lowest Limit) to the items being monitored. If the settings/values are over or under the set range, a warning message will pop-up. The utility can also be configured so that a beeping alarm will sound whenever an error occurs. We recommend that you use the "Default Setting" which is the ideal setting that would keep the system in good working condition.



**Note:**

*Use this utility only in Windows® 95 or Windows® 98 operating system.*

To install the utility, insert the CD (included in the system board package) into a CD-ROM drive. The autorun screen (Main Board Utility CD) will appear. Click the Hardware Doctor button to install the utility.

**Français**

La carte système est livrée avec un utilitaire Hardware Doctor inclus dans le CD fourni. Cet utilitaire est capable de gérer les conditions de "santé" de votre système et vous permet de paramétrer manuellement un éventail (Limite Supérieure et Inférieure) d'éléments gérés. Si les paramètres/valeurs sont supérieurs ou inférieurs à l'éventail sélectionné, un message d'avertissement apparaîtra. L'utilitaire peut aussi être configuré de sorte qu'une sonore retentisse chaque fois qu'une erreur se produit. Nous vous recommandons d'utiliser les "Valeurs par Défaut" qui représentent le paramétrage idéal qui maintiendra le système en bon état de fonctionnement.



**Note:**

*Utilisez cet utilitaire seulement dans les systèmes d'exploitation Windows® 95 ou Windows® 98.*

Pour installer l'utilitaire, insérez le CD (compris dans l'emballage de la carte système) dans le lecteur CD-ROM. L'écran automatique (CD Main Board Utility) apparaîtra. Cliquez sur le bouton Hardware Doctor pour installer l'utilitaire.

**Deutsch**

Der Systemplatine wurde eine CD beigelegt, auf der ein Hardware-Doktor-Dienstprogramm enthalten ist. Mit diesem Dienstprogramm kann der "Gesundheitszustand" des Systems überwacht werden, wobei Sie ebenfalls einen Kontrollbereich (Höchst- und Tiefgrenze) manuell bestimmen können. Sind die Einstellungen/Werte höher oder niedriger als der eingestellte Bereich, erscheint ein Warnhinweis. Dieses Dienstprogramm kann auch so eingestellt werden, daß bei Auftreten eines Fehlers ein akustisches Warnsignal abgegeben wird. Es wird empfohlen, daß Sie die "Standardeinstellung" benutzen, da dies die ideale Einstellung ist, mit der das System stets in gutem Funktionszustand gehalten wird.

**Hinweis:**

Dieses Dienstprogramm darf nur unter dem Dienstprogramm Windows® 95 oder Windows® 98 benutzt werden.

Zum Installieren des Dienstprogramms legen Sie die CD (mit der Systemplatine geliefert) in Ihr CD-ROM-Laufwerk. Der Autorun-Schirm (CD mit Main Board Utility) erscheint. Zum Installieren des Dienstprogramms auf die Hardware Doctor Schaltfläche klicken.

**Español**

El tablero de sistema viene con la utilidad de Doctor de Hardware contenido en el CD provisto. Esta utilidad es capaz de vigilar las condiciones de "salud" del sistema y le permite de configurar manualmente un intervalo (Límite Superior e Inferior) a los artículos de ser vigilado. Si las configuraciones/valores son sobre o debajo del intervalo de configuración, extraerá un mensaje de advertencia. La utilidad también puede ser configurado así que el alarma de pitido sonará siempre que ocurra un error. Le recomendamos que usted utiliza la "Configuración de Implícito" que es la configuración ideal que mantiene el sistema en buena condición de funcionamiento.

**Nota:**

Utiliza esta utilidad sólo en el sistema de operación de Windows® 95 o Windows® 98.

Para instalar la utilidad, inserta el CD (incluido en el paquete del tablero de sistema) dentro de la unidad de CD-ROM. Aparecerá la pantalla del autocorrido (CD de Main Board Utility). Cliquea el botón de Hardware Doctor para instalar la utilidad.

## 4.2 Intel 810 INF Update Utility for Windows® 95/98

### Utilitaire de Mise à Jour Intel 810 INF pour Windows® 95/98

### Intel 810 INF-Aktualisierungsdienstprogramm für Windows® 95/98

### Utilidad Actualizada de Intel 810 INF para Windows® 95/98

**English**

The CD included in the system board package contains the Intel 810 INF Update utility. If you are using Windows® 95 (Windows® 95, Windows® 95+, Windows® 95 OSR1: Windows® 95 OEM Service Release 1, Windows® 95 OSR2: Windows® 95 OEM Service Release 2.0 or Windows® 95 OSR2.1: Windows® 95 OEM Service Release 2.0 plus USB Supplement) or Windows® 98, you need to install the utility. The utility is used for updating Windows® 95/98's INF files so that the Intel 810 series chipsets can be recognized and configured properly in the system. To install:

1. Insert the CD into a CD-ROM drive. The autorun screen (Main Board Utility CD) will appear.
2. Click "Intel 810 INF Update Utility for Windows 95/98".
3. The "Welcome" screen will appear. Click "Next".
4. The "Software License Agreement" screen will appear. Click "Yes".
5. The "Readme Information" screen will appear. You can view the content of the utility's readme in this screen. Click "Next".
6. The "Choose Destination Location" screen will appear showing where the utility will be located. Click "Next".
7. The "Actions" screen will appear. Click "Next" to install the utility.
8. Restart the system.
9. Follow the prompts on the screen to continue with the installation.

**Note:**

*If you are using Windows® 95B and you want to use the USB device, you must first install the USBSUPP program before installing the INF Update. Please contact Microsoft for this program.*

**Français**

Le CD inclus dans l'emballage de votre carte système contient l'utilitaire de Mise à Jour Intel 810 INF. Si vous utilisez Windows® 95 (Windows® 95, Windows® 95+, Windows® 95 OSR1: Windows® 95 OEM Service Release 1, Windows® 95 OSR2: Windows® 95 OEM Service Release 2.0 ou Windows® 95 OSR2.1: Windows® 95 OEM Service Release 2.0 plus USB Supplement) ou Windows® 98, vous devez installer l'utilitaire. L'utilitaire est utilisé pour la mise à jour des fichiers INF de Windows® 95/98 de telle sorte que la série de chipset Intel 810 puisse être reconnue et configurée correctement dans le système. Pour installer:

1. Insérez le CD dans le lecteur CD-ROM. L'écran autorun (CD Main Board Utility) apparaîtra.
2. Cliquez sur "Intel 810 INF Update Utility for Windows 95/98".
3. L'écran de "Welcome" apparaîtra. Cliquez sur "Next".
4. L'écran de "Software License Agreement" apparaîtra. Cliquez sur "Yes".
5. L'écran "Readme Information" apparaîtra. Vous pouvez visualiser le contenu du fichier LisezMoi dans cet écran. Cliquez sur "Next".
6. L'écran "Choose Destination Location" apparaîtra montrant où l'utilitaire sera situé. Cliquez sur "Next".
7. L'écran "Actions" apparaîtra. Cliquez sur "Next" pour installer l'utilitaire.
8. Redémarrez votre système.
9. Suivez les messages apparaissant à l'écran pour continuer l'installation.

**Note:**

*Si vous utilisez Windows® 95B et que vous voulez utiliser le matériel USB, vous devez tout d'abord installer le programme USBSUPP avant d'installer la Mise à Jour INF (INF Update). Veuillez contacter Microsoft pour ce programme.*

**Deutsch**

Auf der mit der Systemplatine mitgelieferten CD ist das Intel 810 INF-Aktualisierungs-Dienstprogramm enthalten. Falls Sie unter dem Betriebssystem Windows® 95 (Windows® 95, Windows® 95+, Windows® 95 OSR1: Windows® 95 OEM Service Release 1, Windows® 95 OSR2: Windows® 95 OEM Service Release 2.0 oder Windows® 95 OSR2.1: Windows® 95 OEM Service Release 2.0 plus USB Supplement) oder Windows® 98 arbeiten, muß dieses Dienstprogramm installiert werden. Das Dienstprogramm dient zum Aktualisieren der INF-Dateien des Windows® 95/98, damit die Chipsets der Serie Intel 810 im System erkannt und konfiguriert werden können. Gehen Sie zum Installieren wie folgt vor:

1. Die CD in Ihr CD-ROM-Laufwerk einlegen. Der Autorun-Schirm (CD mit Main Board Utility) erscheint.
2. Auf "Intel 810 INF Update Utility for Windows 95/98" klicken.
3. Der "Welcome"-Schirm erscheint. Auf "Next" klicken.
4. Der Schirm mit dem "Software License Agreement" erscheint. Auf "Yes" klicken.
5. Die "Readme Information" ("Liesmich-Information") erscheint. Sie können sich den Inhalt im Readme des Dienstprogramms auf dem Schirm ansehen. Auf "Next" klicken.
6. Der Schirm "Choose Destination Location" erscheint und zeigt an, wo sich das Dienstprogramm befinden wird. Auf "Next" klicken.
7. Der "Actions"-Schirm erscheint. Zum Installieren des Dienstprogramms auf "Next" klicken.
8. Das System neustarten.
9. Die Anleitung auf dem Schirm befolgen, um mit der Installation fortzufahren.

**Hinweis:**

Falls Sie unter Windows® 95B arbeiten und Sie das USB-Gerät benutzen möchten, installieren Sie zuerst das USBSUPP-Programm, bevor Sie die INF-Aktualisierung installieren. Dieses Programm ist bei Microsoft erhältlich.

**Español**

El CD incluido en el paquete del tablero de sistema contiene la utilidad Actualizada de Intel 810 INF. Si usted está utilizando Windows® 95 (Windows® 95, Windows® 95+, Windows® 95 OSR1: Windows® 95 OEM Service Release 1, Windows® 95 OSR2: Windows® 95 OEM Service Release 2.0 o Windows® 95 OSR2.1: Windows® 95 OEM Service Release 2.0 plus USB Supplement) o Windows® 98, necesita instalar la utilidad. La utilidad es utilizada por actualizar los archivos de Windows® 95/98 INF así que el chipsets de series Intel 810 pueden ser reconocidos y configurados propiamente en el sistema. Para instalar:

1. Insertar el CD dentro de la unidad de CD-ROM. Aparecerá la pantalla de autocorrido (CD de Main Board Utility).
2. Cliquea "Intel 810 INF Update Utility for Windows 95/98".
3. Aparecerá la pantalla de "Welcome". Cliquea "Next".
4. Aparecerá la pantalla de "Software License Agreement".Cliquea "Yes".
5. Aparecerá la pantalla de "Readme Information". Usted puede visualizar el contenido de las utilidades de readme en esta pantalla. Cliquea "Next".
6. Aparecerá la pantalla de "Choose Destination Location" indicando dónde la utilidad de debe ser situado. Cliquea "Next".
7. Aparecerá la pantalla de "Actions". Cliquea "Next" para instalar la utilidad.
8. Reiniciar el sistema.
9. Sigue las indicaciones de la pantalla para continuar con la instalación.

**Nota:**

Si usted está utilizando Windows® 95B y desea de utilizar el dispositivo de USB, usted debe primero instalar el programa de USBSUPP antes de instalar Actualizar INF. Favor de poner en contacto con Microsoft para este programa.

### 4.3 Intel 810 Graphics Drivers for Windows

#### Intel 810 du Pilote Graphique pour Windows

#### Intel 810 der Grafiktreiber für Windows

#### Intel 810 el Programa Gráficas para Windows

**English**

1. Insert the CD into a CD-ROM drive. The autorun screen (Main Board Utility CD) will appear.
2. Click "Intel 810 Graphics Drivers for Windows".
3. The "Welcome" screen will appear. Click "Next".
4. The "Software License Agreement" screen will appear. Click "Yes".
5. Choose the destination you would like the driver to be located then click "Next" to start installing the driver.
6. Click "Finish".
7. The system will restart.

**Français**

1. Insérez le CD dans le lecteur CD-ROM. L'écran automatique (CD Main Board Utility) apparaîtra.
2. Cliquez sur "Intel 810 Graphics Drivers for Windows".
3. L'écran de "Welcome" apparaîtra. Cliquez sur "Next".
4. L'écran de "Software License Agreement" apparaîtra. Cliquez sur "Yes".
5. Choisissez la destination où vous voulez que votre pilote soit situé puis cliquez sur "Next" pour commencer à installer le pilote.

6. Cliquez sur "Finish".
7. Le système redémarrera.

- Deutsch**
1. Die CD in Ihr CD-ROM-Laufwerk einlegen. Der Autorun-Schirm (CD mit Main Board Utility) erscheint.
  2. Auf "Intel 810 Graphics Drivers for Windows" klicken.
  3. Der "Welcome"-Schirm erscheint. Auf "Next" klicken.
  4. Der Schirm mit dem "Software License Agreement" erscheint. Auf "Yes" klicken.
  5. Den Standort auswählen, wo sich der Treiber befinden soll, und dann auf "Next" klicken, um den Installationsvorgang des Treibers zu starten.
  6. Auf "Finish" klicken.
  7. Das System wird neugestartet.

- Español**
1. Inserta el Cd dentro de la unidad de CD-ROM. Aparecerá la pantalla del autocorrido (CD de Main Board Utility).
  2. Cliquee "Intel 810 Graphics Drivers for Windows".
  3. Aparecerá la pantalla de "Welcome". Cliquee "Next".
  4. Aparecerá la pantalla de "Software License Agreement". Cliquee "Yes".
  5. Elegir la destinación que usted le gustaría que el programa instalador de ser situado luego cliquee "Next" para iniciar la instalación del programa instalador".
  6. Cliquee "Finish".
  7. El sistema reiniciará.

#### 4.4 SoundMAX Audio Drivers for Windows

##### Pilote SoundMAX pour Windows

##### SoundMAXtreibers für Windows

##### Programa de SoundMAX para Windows

- English**
1. Insert the CD into a CD-ROM drive. The autorun screen (Main Board Utility CD) will appear.
  2. Click "SoundMAX Audio Drivers for Windows".
  3. The "Welcome" screen will appear. Click "Next" to install the driver.
  4. The system will restart.
  5. Follow the prompts to continue with the installation.

- Français**
1. Insérez le CD dans le lecteur CD-ROM. L'écran automatique (CD Main Board Utility) apparaîtra.
  2. Cliquez sur "SoundMAX Audio Drivers for Windows".
  3. L'écran de "Welcome" apparaîtra. Cliquez sur "Next" pour installer le pilote.
  4. Le système redémarrera.
  5. Suivez les messages qui apparaissent à l'écran pour continuer cette installation.

- Deutsch**
1. Die CD in Ihr CD-ROM-Laufwerk einlegen. Der Autorun-Schirm (CD mit Main Board Utility) erscheint.
  2. Auf "SoundMAX Audio Drivers for Windows" klicken.
  3. Der "Welcome"-Schirm erscheint. Zum Installieren des Treibers auf "Next" klicken.
  4. Das System wird neugestartet.
  5. Die Anleitung befolgen, um die Installation zu Ende zu führen.

- Español**
1. Inserta el CD dentro de la unidad de CD-ROM. Aparecerá la pantalla del autocorrido (CD de Main Board Utility).
  2. Cliquee "SoundMAX Audio Drivers for Windows".



3. Aparecerá la pantalla de "Welcome". Cliquea "Next" para instalar el programa instalador.
4. El sistema reiniciará.
5. Seguir las indicaciones para continuar con la instalación.

#### 4.5 Drivers and Utilities Installation Notes

##### Notes pour l'Installation des Pilotes et des Utilitaires

##### Hinweise zum Installieren der Treiber und der Dienstprogramme

##### Notas de Instalación de Utilidades y Programas Instaladores

- English**
1. "Autorun" ONLY supports the Windows® 95, Windows® 98 and Windows NT® 4.0 operating systems. If after inserting the CD, "Autorun" did not automatically start (which is, the Main Board Utility CD screen did not appear), please go directly to the root directory of the CD and double-click "Autorun".
  2. Please go to DFI's web site at "<http://www.dfi.com/support/downloadI.asp>" for the latest version of the drivers or software applications.
  3. All steps or procedures to install software drivers are subject to change without notice as the softwares are occasionally updated. Please refer to the readme files, if available, for the latest information.
- Français**
1. "Autorun" SEULEMENT supporte les systèmes d'exploitation Windows® 95, Windows® 98 et Windows NT® 4.0. Si, après avoir inséré le CD, "Autorun" ne démarre pas automatiquement (Dans ce cas, l'écran de CD Main Board Utility n'apparaîtra pas), veuillez aller directement au répertoire racine du CD et double cliquez sur "Autorun".
  2. Veuillez vous rendre sur le site web de DFI à "<http://www.dfi.com/support/downloadI.asp>" pour trouver la dernière version des pilotes ou logiciel d'applications.
  3. Toutes les étapes ou procédures pour installer les pilotes sont susceptibles d'être modifiées sans notice préalable étant donné que les logiciels sont mis à jour occasionnellement. Veuillez vous reporter aux fichiers LisezMoi, s'ils sont disponibles, pour obtenir les dernières informations.
- Deutsch**
1. Durch "Autorun" werden NUR die Betriebssysteme Windows® 95, Windows® 98 und Windows NT® 4.0 unterstützt. Wurde nach Einlegen der CD das "Autorun" nicht automatisch gestartet (d.h. der Schirm mit der CD mit Main Board Utility für die Hauptplatine erscheint nicht), gehen Sie direkt zum Stammverzeichnis der CD und doppelklicken Sie auf "Autorun".
  2. Auf der DFI-Webseite "<http://www.dfi.com/support/downloadI.asp>" finden Sie die neuste Version der Treiber oder Software-Anwendungsprogramme.
  3. Änderungen sämtlicher Schritte oder Vorgänge zur Installation der Softwaretreiber sind ohne Vorbenachrichtigung vorbehalten, da die Softwareprogramme gelegentlich aktualisiert werden. Die neusten Informationen finden Sie in den Readme-Dateien (Liesmich-Dateien), falls vorhanden.
- Español**
1. El "Autorun" SOLO soporta los sistemas operativos de Windows® 95, Windows® 98 y Windows NT® 4.0. Si después de insertar el CD, el "Autorun" no iniciará automáticamente (que es, no aparecerá la pantalla de CD de Main Board Utility), favor de ir directamente al directorio radical del CD y cliquea doblemente el "Autorun".
  2. Favor de ir al website de DEFI's en "<http://www.dfi.com/support/downloadI.asp>" para la última versión de los programas instaladores o aplicaciones del software.

3. Todos los pasos o procedimientos para instalar los programas instaladores de software son sujeto sin aviso, como los softwares son actualizados ocasionalmente. Favor de consultar los archivos de readme, si es disponible, para la última información.