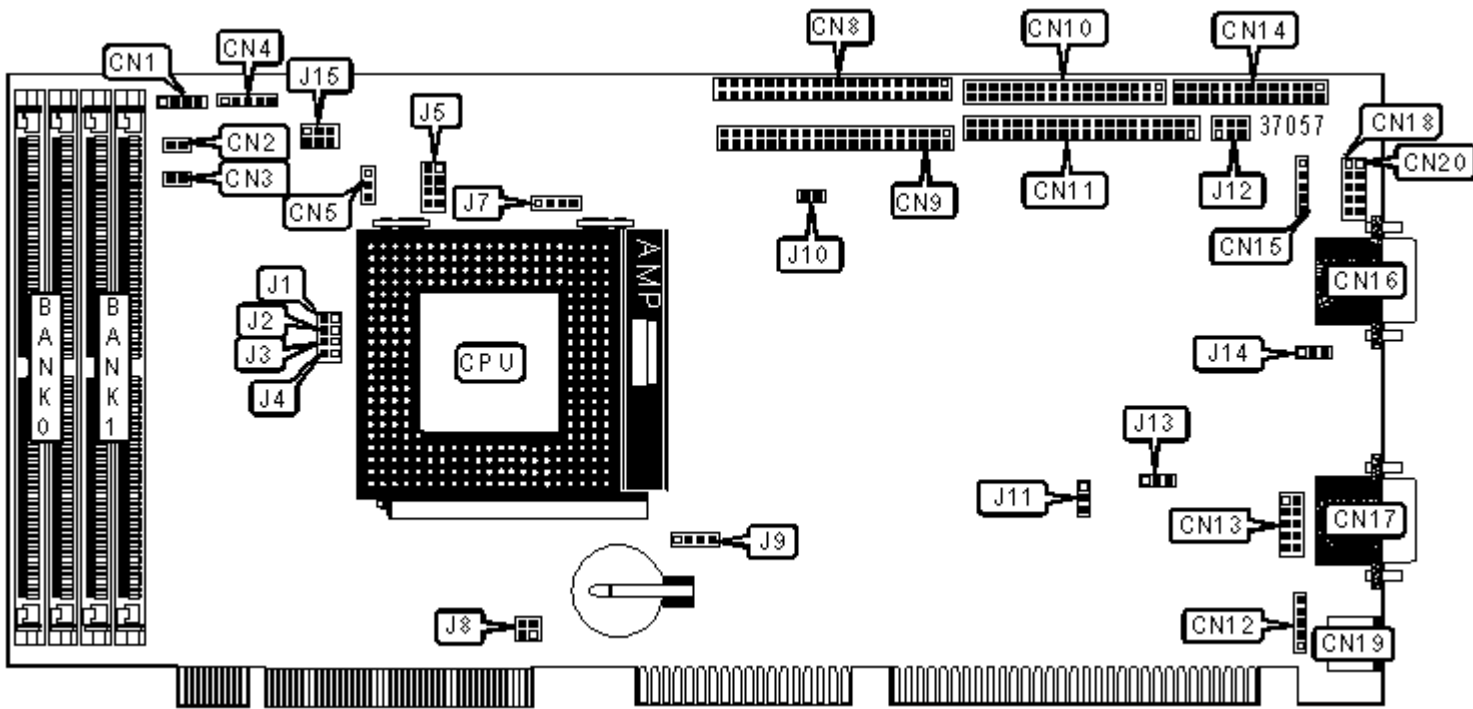


ADVANTECH CO., LTD

PCA-6159V

Device Type	Single Board Computer
Processor	CX 6X86/CX 686MX/AM K5/AM K6/Pentium/Pentium MMX
Processor Speed	75/90/100/120/133/150/166/180/200MHz
Chip Set	Intel 430TX
Video Chip Set	Chips & Technology
Maximum Onboard Memory	256MB (EDO supported)
Maximum Video Memory	2MB
Cache	512KB (located on the CPU)
BIOS	Award
Dimensions	338mm x 122mm
I/O Options	Floppy drive interface, IDE interfaces (2), parallel interface, PS/2 mouse/keyboard port, serial interface, serial port, VGA port, IR connector, USB interfaces (2), Flat panel connector
Data Bus	16-bit ISA/32-bit PCI



CONNECTIONS			
Purpose	Location	Purpose	Location
Speaker	CN1	Keyboard interface	CN12
IDE interface LED	CN2	Serial interface	CN13
Reset switch	CN3	Parallel interface	CN14
Power LED & keylock	CN4	IR connector	CN15
Fan power	CN5	VGA port	CN16
IDE interface 1	CN8	Serial port 1	CN17

IDE interface 2	CN9	USB interface 2	CN18
Floppy drive interface	CN10	PS/2 mouse/keyboard port	CN19
Flat Panel connector	CN11	USB interface 1	CN20

USER CONFIGURABLE SETTINGS

Function		Label	Position
»	Pentium MMX enabled	J7	Pins 1 & 2 closed
	Pentium MMX disabled	J7	Pins 1 & 2 open
»	MTXC clock at 66MHz selected	J7	Pins 3 & 4 closed
	MTXC clock at 60MHz selected	J7	Pins 3 & 4 open
»	Internal battery selected	J9	Pins 3 & 4 closed
	External battery selected	J9	Pins 1 & 4 closed
»	Wide SCSI enabled	J10	Pins 1 & 2 closed
	Wide SCSI disabled	J10	Pins 2 & 3 closed
»	LCD 3.3V power selected	J12	Pins 1 & 3, 2 & 4 closed
	LCD 5V power selected	J12	Pins 3 & 5, 4 & 6 closed
»	LCD selected	J13	Pins 2 & 3 closed
	EL selected	J13	Pins 1 & 2 closed
»	Watchdog system reset select	J14	Pins 1 & 2 closed
	Watchdog interrupt select	J14	Pins 2 & 3 closed
»	Dual power selected	J15	Pins 3 & 5, 4 & 6 closed
	Single power selected	J15	Pins 1 & 3, 2 & 4 closed

SIMM CONFIGURATION

Size	Bank 0	Bank 1
8MB	(2) 1M x 36	None
16MB	(2) 2M x 36	None
16MB	(2) 1M x 36	(2) 1M x 36

24MB	(2) 2M x 36	(2) 1M x 36
32MB	(2) 4M x 36	None
32MB	(2) 2M x 36	(2) 2M x 36
40MB	(2) 4M x 36	(2) 1M x 36
48MB	(2) 4M x 36	(2) 2M x 36
64MB	(2) 8M x 36	None
64MB	(2) 4M x 36	(2) 4M x 36
72MB	(2) 8M x 36	(2) 1M x 36
80MB	(2) 8M x 36	(2) 2M x 36
96MB	(2) 8M x 36	(2) 4M x 36
128MB	(2) 8M x 36	(2) 8M x 36
128MB	(2) 16M x 36	None
136MB	(2) 16M x 36	(2) 1M x 36
144MB	(2) 16M x 36	(2) 2M x 36
160MB	(2) 16M x 36	(2) 4M x 36
192MB	(2) 16M x 36	(2) 8M x 36
256MB	(2) 16M x 36	(2) 16M x 36

Note: Board accepts EDO memory.

CPU CLOCK SPEED SELECTION

Speed		J8
	55MHz	Pins 1 & 2, 3 & 4 closed
	60MHz	Pins 1 & 2 closed
»	66MHz	Open
	75MHz	Pins 3 & 4 closed

CPU MULTIPLIER SELECTION

Multiplier		J5
	1.5x	Open

	2x	Pins 5 & 6 closed
»	2.5x	Pins 3 & 4, 5 & 6 closed
	3x	Pins 3 & 4 closed
Note: Applicable to all models except AM K6.		

CPU MULTIPLIER SELECTION (AM K6)		
Multiplier		J5
	2x	Pins 5 & 6 closed
	2.5x	Pins 3 & 4, 5 & 6 closed
	3x	Pins 3 & 4 closed
	3.5x	Open
	4x	Pins 1 & 2, 5 & 6 closed
	4.5x	Pins 1 & 2, 3 & 4, 5 & 6 closed
	5x	Pins 1 & 2, 3 & 4 closed
	5.5x	Pins 1 & 3, 2 & 4 closed

CPU VOLTAGE SELECTION					
Voltage		J1	J2	J3	J4
	2v	Open	Open	Open	Open
	2.1v	Closed	Open	Open	Open
	2.2v	Open	Closed	Open	Open
	2.4v	Closed	Closed	Open	Open
	2.5v	Open	Open	Closed	Open
	2.6v	Closed	Open	Closed	Open
	2.7v	Open	Closed	Closed	Open
»	2.8v	Closed	Closed	Closed	Open
	2.9v	Open	Open	Open	Closed

	3v	Closed	Open	Open	Closed
	3.1v	Open	Closed	Open	Closed
	3.2v	Closed	Closed	Open	Closed
	3.3v	Open	Open	Closed	Closed
	3.4v	Closed	Open	Closed	Closed
	3.5v	Open	Closed	Closed	Closed
	3.6v	Closed	Closed	Closed	Closed