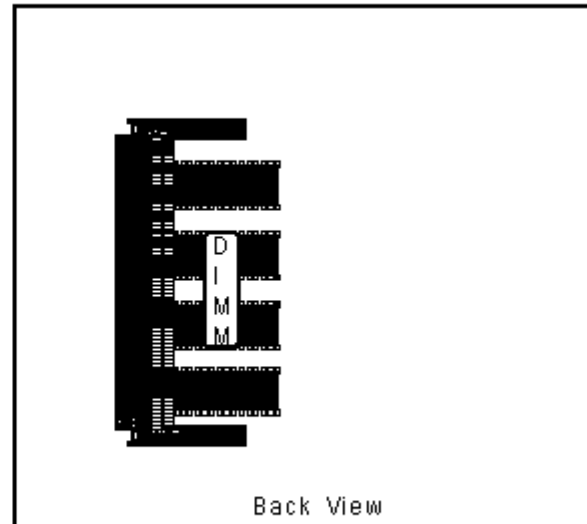
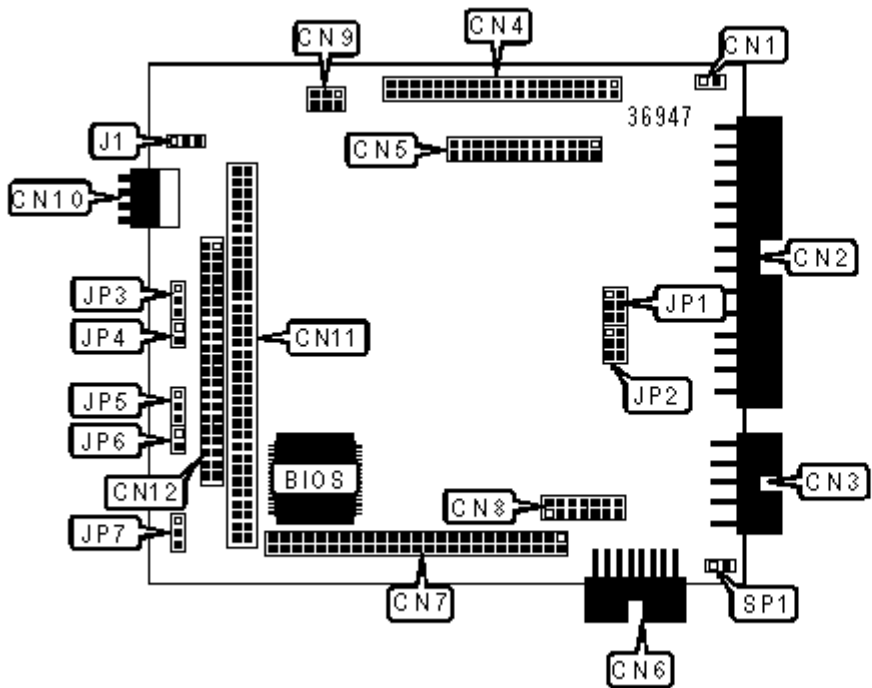


# AAEON TECHNOLOGY, INC.

PCM-4335

<b>Device Type</b>	Mainboard
<b>Processor</b>	80486DX
<b>Processor Speed</b>	66MHz
<b>Chip Set</b>	STPC
<b>Video Chip Set</b>	Chips and Technology
<b>Maximum Onboard Memory</b>	144MB
<b>Maximum Video Memory</b>	2MB
<b>BIOS</b>	AMI
<b>Dimensions</b>	96mm x 90mm
<b>I/O Options</b>	PS/2 mouse/keyboard interface, floppy drive interface, IDE interface, parallel port, serial ports (2), VGA connector, PC/104 connectors (2)



CONNECTIONS			
Purpose	Location	Purpose	Location
CPU fan power	CN1	Serial port 2 - RS-232/422/485	CN8
Floppy drive interface	CN2	PS/2 mouse/keyboard interface	CN9
Serial port 1	CN3	5v power	CN10
IDE interface 1	CN4	PC/104 connector 1	CN11
Parallel port	CN5	PC/104 connector 2	CN12
VGA interface	CN6	-5v/-12v power	J1
LCD panel interface	CN7	External speaker interface	SP1

### USER CONFIGURABLE SETTINGS

Function		Label	Position
»	CMOS memory normal operation	JP3	Pins 1 & 2 closed
	CMOS memory clear	JP3	Pins 2 & 3 closed
	PS/2 keyboard lock enabled	JP4	Closed
	PS/2 keyboard lock disabled	JP4	Open
	Video voltage select 3.3v	JP5	Pins 1 & 2 closed
	Video voltage select 5v	JP5	Pins 2 & 3 closed
	Reset switch enabled	JP6	Closed
	Reset switch disabled	JP6	Open
	Video signal select enabled	JP7	Pins 1 & 2 closed
	Video signal select disabled	JP7	Pins 2 & 3 closed

### DOC ADDRESS SETTINGS

Address		JP1/Pins 1 & 2	JP1/Pins 3 & 4	JP1/Pins 5 & 6
	CC00	Open	Open	Open
»	D000	Closed	Open	Open
	D400	Open	Closed	Open
	D800	Closed	Closed	Open
	DC00	Open	Open	Closed
	Disable DOC	Open	Closed	Closed

### SERIAL PROTOCOL SELECTION

Serial protocol		JP2/ Pins 1 & 2	JP2/ Pins 3 & 4	JP2/ Pins 5 & 6
»	RS-232	Closed	Open	Open
	RS-422	Open	Closed	Open
	RS-485	Open	Open	Closed

