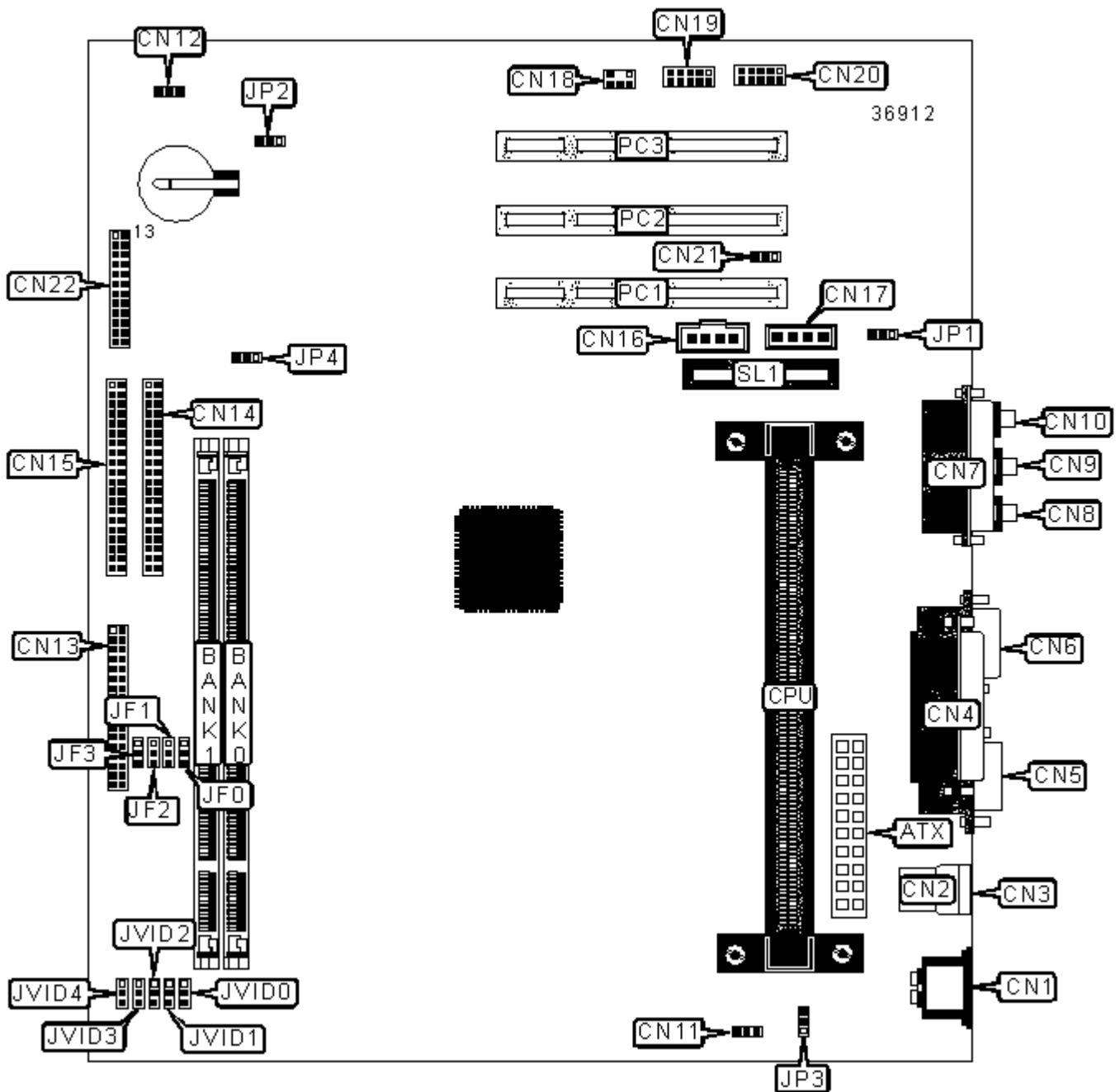


## ACER, INC.

### PSWMA

<b>Device Type</b>	Mainboard
<b>Processor</b>	Celeron/Pentium II/Pentium III
<b>Processor Speed</b>	233/266/300/333/350/366/400/433/450/500/550/600MHz
<b>Chip Set</b>	Intel
<b>Audio Chip Set</b>	ADI
<b>Maximum Onboard Memory</b>	512MB (SDRAM supported)
<b>Maximum Audio Memory</b>	Unidentified
<b>Cache</b>	0/128/256/512KB (located on the CPU)
<b>BIOS</b>	Award
<b>Dimensions</b>	244mm x 190mm
<b>I/O Options</b>	32-bit PCI slots (3), floppy drive interface, game/MIDI port, green PC connector, IDE interfaces (2), parallel port, PS/2 mouse port, serial port, serial interface, VGA port, Audio Modem Riser slot, IR connector, USB ports (2), ATX power connector, line in, line out, microphone in, audio in - CD-ROMs (2), Wake-on-LAN connector, SB-Link connector



### CONNECTIONS

Purpose	Location	Purpose	Location
ATX power connector	ATX	IDE interface 1	CN15
PS/2 mouse port	CN1	Audio in - CD-ROM (Sony)	CN16
USB port 1	CN2	Audio in - CD-ROM (Mitsumi)	CN17
USB port 2	CN3	SB Link connector	CN18
Parallel port	CN4	IR connector	CN19
Serial port	CN5	Serial interface	CN20
VGA port	CN6	Wake-on-LAN connector	CN21

Game/MIDI port	CN7	Green PC connector	CN22/Pins 1 & 2
Line out	CN8	Reset switch	CN22/Pins 3 & 4
Line in	CN9	IDE interface LED	CN22/Pins 6 & 7
Microphone in	CN10	Power Switch	CN22/Pins 9 & 10
CPU fan power	CN11	Power LED & keylock	CN22/Pins 14-18
Chassis fan power	CN12	Speaker	CN22/Pins 20-23
Floppy drive interface	CN13	32-bit PCI slots	PC1 - PC3
IDE interface 2	CN14	Audio Modem Riser slot	SL1

### USER CONFIGURABLE SETTINGS

Function		Label	Position
»	Audio CODEC enabled	JP1	Pins 1 & 2 closed
	Audio CODEC disabled	JP1	Pins 2 & 3 closed
»	CMOS memory normal operation	JP2	Pins 2 & 3 closed
	CMOS memory clear	JP2	Pins 1 & 2 closed
»	Keyboard voltage selection 5v	JP3	Pins 1 & 2 closed
	Keyboard voltage selection 5v stand by	JP3	Pins 2 & 3 closed

### DIMM CONFIGURATION

Size	Bank 0	Bank 1
16MB	(1) 2M x 64	None
32MB	(1) 2M x 64	(1) 2M x 64
32MB	(1) 4M x 64	None
48MB	(1) 4M x 64	(1) 2M x 64
64MB	(1) 4M x 64	(1) 4M x 64
64MB	(1) 8M x 64	None
80MB	(1) 8M x 64	(1) 2M x 64
96MB	(1) 8M x 64	(1) 4M x 64
128MB	(1) 8M x 64	(1) 8M x 64

128MB	(1) 16M x 64	None
144MB	(1) 16M x 64	(1) 2M x 64
160MB	(1) 16M x 64	(1) 4M x 64
192MB	(1) 16M x 64	(1) 8M x 64
256MB	(1) 16M x 64	(1) 16M x 64
256MB	(1) 32M x 64	None
272MB	(1) 32M x 64	(1) 2M x 64
288MB	(1) 32M x 64	(1) 4M x 64
320MB	(1) 32M x 64	(1) 8M x 64
384MB	(1) 32M x 64	(1) 16M x 64
512MB	(1) 32M x 64	(1) 32M x 64

Note: Board supports SDRAM memory.

#### CACHE CONFIGURATION

Note: 256KB/512KB cache is located on the Pentium II/Pentium III CPUs. 128KB cache is located on the Celeron 300A and greater CPUs.

#### CPU SPEED SELECTION (CELERON)

CPU speed	Clock speed	Multiplier	JF0	JF1	JF2	JF3	JP4
333MHz	66MHz	5x	2 & 3	2 & 3	1 & 2	1 & 2	2 & 3
366MHz	66MHz	5.5x	2 & 3	2 & 3	2 & 3	1 & 2	2 & 3
400MHz	66MHz	6x	1 & 2	1 & 2	1 & 2	2 & 3	2 & 3
433MHz	66MHz	6.5x	1 & 2	1 & 2	2 & 3	2 & 3	2 & 3

Note: Pins designated should be in the closed position.

Note: Clock speed may be set to auto-detect by leaving JP4 open.

#### CPU SPEED SELECTION (PENTIUM II)

CPU speed	Clock speed	Multiplier	JF0	JF1	JF2	JF3	JP4
233MHz	66MHz	3.5x	1 & 2	2 & 3	2 & 3	1 & 2	2 & 3

266MHz	66MHz	4x	2 & 3	1 & 2	1 & 2	1 & 2	2 & 3
300MHz	66MHz	4.5x	2 & 3	1 & 2	2 & 3	1 & 2	2 & 3
333MHz	66MHz	5x	2 & 3	2 & 3	1 & 2	1 & 2	2 & 3
350MHz	100MHz	3.5x	1 & 2	2 & 3	2 & 3	1 & 2	1 & 2
400MHz	100MHz	4x	2 & 3	1 & 2	1 & 2	2 & 3	1 & 2
450MHz	100MHz	4.5x	2 & 3	1 & 2	2 & 3	1 & 2	1 & 2

Note: Pins designated should be in the closed position.  
Note: Clock speed may be set to auto-detect by leaving JP4 open.

### CPU SPEED SELECTION (PENTIUM III)

CPU speed	Clock speed	Multiplier	JF0	JF1	JF2	JF3	JP4
450MHz	100MHz	4.5x	2 & 3	1 & 2	2 & 3	1 & 2	1 & 2
500MHz	100MHz	5x	2 & 3	2 & 3	1 & 2	1 & 2	1 & 2
550MHz	100MHz	5.5x	2 & 3	2 & 3	2 & 3	1 & 2	1 & 2
600MHz	100MHz	6x	1 & 2	1 & 2	1 & 2	2 & 3	1 & 2

Note: Pins designated should be in the closed position.  
Note: Clock speed may be set to auto-detect by leaving JP4 open.

### CPU VOLTAGE SELECTION

Voltage	JVID0	JVID1	JVID2	JVID3	JVID4
auto-detect	Open	Open	Open	Open	Open
1.8v	1 & 2	2 & 3	1 & 2	2 & 3	2 & 3
1.85v	2 & 3	2 & 3	1 & 2	2 & 3	2 & 3
1.9v	1 & 2	1 & 2	2 & 3	2 & 3	2 & 3
1.95v	2 & 3	1 & 2	2 & 3	2 & 3	2 & 3
2v	1 & 2	2 & 3	2 & 3	2 & 3	2 & 3
2.05v	2 & 3	2 & 3	2 & 3	2 & 3	2 & 3
2.1v	2 & 3	1 & 2	1 & 2	1 & 2	1 & 2
2.2v	1 & 2	2 & 3	1 & 2	1 & 2	1 & 2

Note: Pins designated should be in the closed position