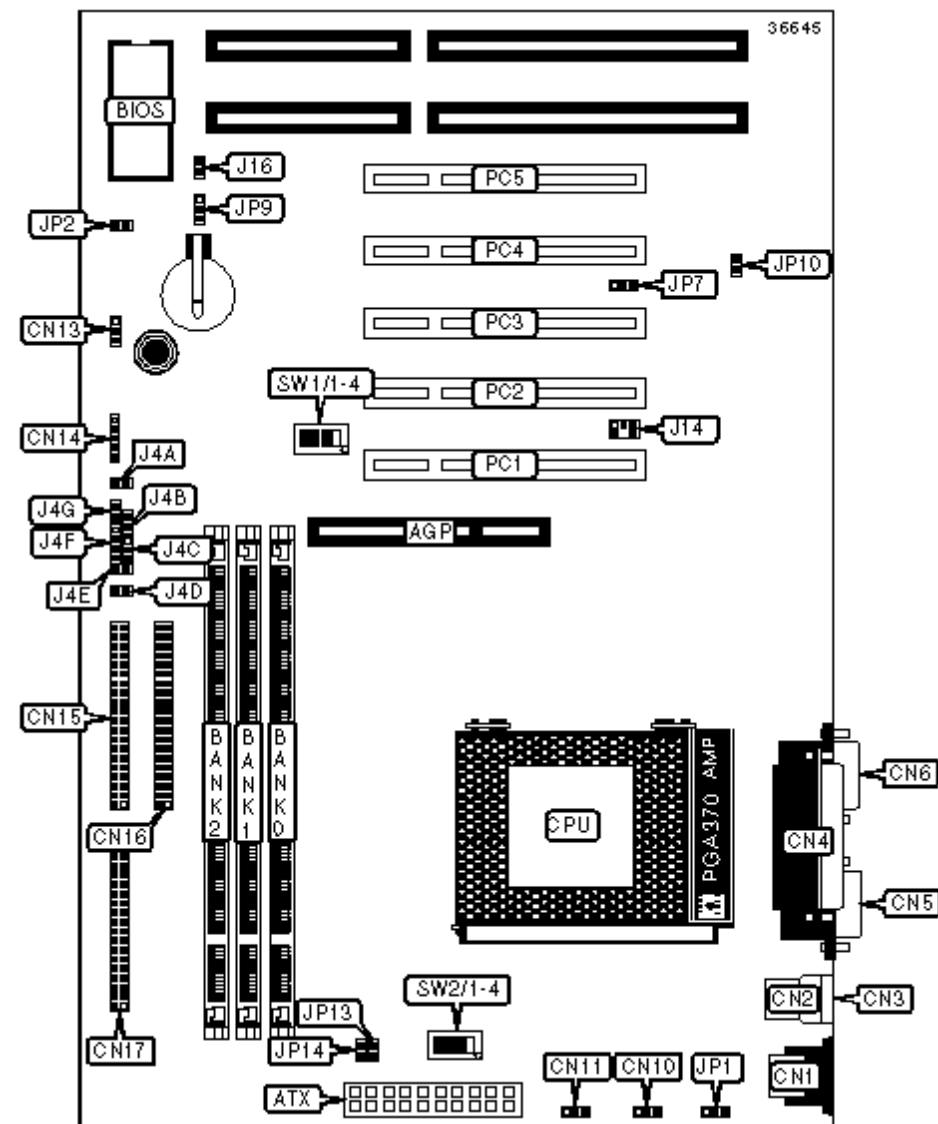


# GIGA-BYTE TECHNOLOGY CO., LTD.

## GA-6BX7 (REV. 1.4)

<b>Device Type</b>	Mainboard
<b>Processor</b>	Celeron
<b>Processor Speed</b>	366/400/433/466/500/533/566MHz
<b>Chip Set</b>	Intel 440BX
<b>Maximum Onboard Memory</b>	768MB (SDRAM supported)
<b>Cache</b>	0/128KB (located on the Celeron CPU)
<b>BIOS</b>	Award
<b>Dimensions</b>	305mm x 190mm
<b>I/O Options</b>	32-bit PCI slots (4), floppy drive interface, green PC connector, IDE interfaces (2), parallel port, PS/2 mouse port, serial ports (2), IR connector, USB connectors (2), ATX power connector, AGP slot, SB-link connector, Wake-on-LAN connector, Power-on-ring connector



### CONNECTIONS

Purpose	Location	Purpose	Location
AGP slot	AGP	Floppy drive interface	CN17
ATX power connector	ATX	Green PC LED	J4A

PS/2 mouse port	CN1	Power connector	J4B
USB port 1	CN2	Power LED	J4C
USB port 2	CN3	Green PC connector	J4D
Parallel port	CN4	IDE interface LED	J4E
Serial port 2	CN5	PC speaker	J4F
Serial port 1	CN6	Reset switch	J4G
CPU fan power	CN10	SB-link connector	J14
Power fan	CN11	Power-on-ring connector	J16
System fan power	CN13	Wake-on-LAN connector	JP7
IR connector	CN14	Case open connector	JP10
IDE interface 1	CN15	32-bit PCI slots	PC1 - PC5
IDE interface 2	CN16		

### USER CONFIGURABLE SETTINGS

Function		Label	Position
»	Keyboard power-on disabled	JP1	Pins 2 & 3 closed
	Keyboard power-on enabled	JP1	Pins 1 & 2 closed
»	Factory configured - do not alter	JP2	Unidentified
»	CMOS normal operation	JP9	Pins 2 & 3 closed
	CMOS clear memory	JP9	Pins 1 & 2 closed

### DIMM CONFIGURATION

Size	Bank 0	Bank 1	Bank 2
16MB	(1) 2M x 64	None	None
32MB	(1) 2M x 64	(1) 2M x 64	None
32MB	(1) 4M x 64	None	None
48MB	(1) 2M x 64	(1) 2M x 64	(1) 2M x 64

64MB	(1) 4M x 64	(1) 4M x 64	None
64MB	(1) 8M x 64	None	None
64MB	(1) 4M x 64	(1) 2M x 64	(1) 2M x 64
96MB	(1) 4M x 64	(1) 4M x 64	(1) 4M x 64
96MB	(1) 8M x 64	(1) 2M x 64	(1) 2M x 64
128MB	(1) 8M x 64	(1) 8M x 64	None
128MB	(1) 16M x 64	None	None
128MB	(1) 8M x 64	(1) 4M x 64	(1) 4M x 64
160MB	(1) 16M x 64	(1) 2M x 64	(1) 2M x 64
192MB	(1) 8M x 64	(1) 8M x 64	(1) 8M x 64
192MB	(1) 16M x 64	(1) 4M x 64	(1) 4M x 64
256MB	(1) 16M x 64	(1) 16M x 64	None
256MB	(1) 32M x 64	None	None
256MB	(1) 16M x 64	(1) 8M x 64	(1) 8M x 64
288MB	(1) 32M x 64	(1) 2M x 64	(1) 2M x 64
320MB	(1) 32M x 64	(1) 4M x 64	(1) 4M x 64
384MB	(1) 16M x 64	(1) 16M x 64	(1) 16M x 64
384MB	(1) 32M x 64	(1) 8M x 64	(1) 8M x 64
512MB	(1) 32M x 64	(1) 32M x 64	None
512MB	(1) 32M x 64	(1) 16M x 64	(1) 16M x 64
768MB	(1) 32M x 64	(1) 32M x 64	(1) 32M x 64

Note: Board supports SDRAM memory.

### CACHE CONFIGURATION

Note: 128KB cache is located on the Celeron 300A& 333 CPU.

### CPU SPEED SELECTION

CPU speed	Clock speed	Multiplier	SW1/1	SW1/2	SW1/3	SW1/4
-----------	-------------	------------	-------	-------	-------	-------

366MHz	66MHz	5.5x	Off	Off	Off	On
400MHz	66MHz	6x	On	On	On	Off
433MHz	66MHz	6.5x	Off	On	On	Off
466MHz	66MHz	7x	On	Off	On	Off
500MHz	66MHz	7.5x	Off	Off	On	Off
533MHz	66MHz	8x	On	On	Off	Off
566MHz	66MHz	8.5x	Off	On	Off	Off

### CPU SPEED SELECTION (CONT)

CPU speed	Clock speed	Multiplier	SW2/1	SW2/2	SW2/3	SW2/4
366MHz	66MHz	5.5x	On	Off	Off	On
400MHz	66MHz	6x	On	Off	Off	On
433MHz	66MHz	6.5x	On	Off	Off	On
466MHz	66MHz	7x	On	Off	Off	On
500MHz	66MHz	7.5x	On	Off	Off	On
533MHz	66MHz	8x	On	Off	Off	On
566MHz	66MHz	8.5x	On	Off	Off	On

### VIDEO MODE SELECTION

Setting	JP13	JP14
Normal operation	Open	Open
Voodoo3 VGA card installed	Closed	Closed