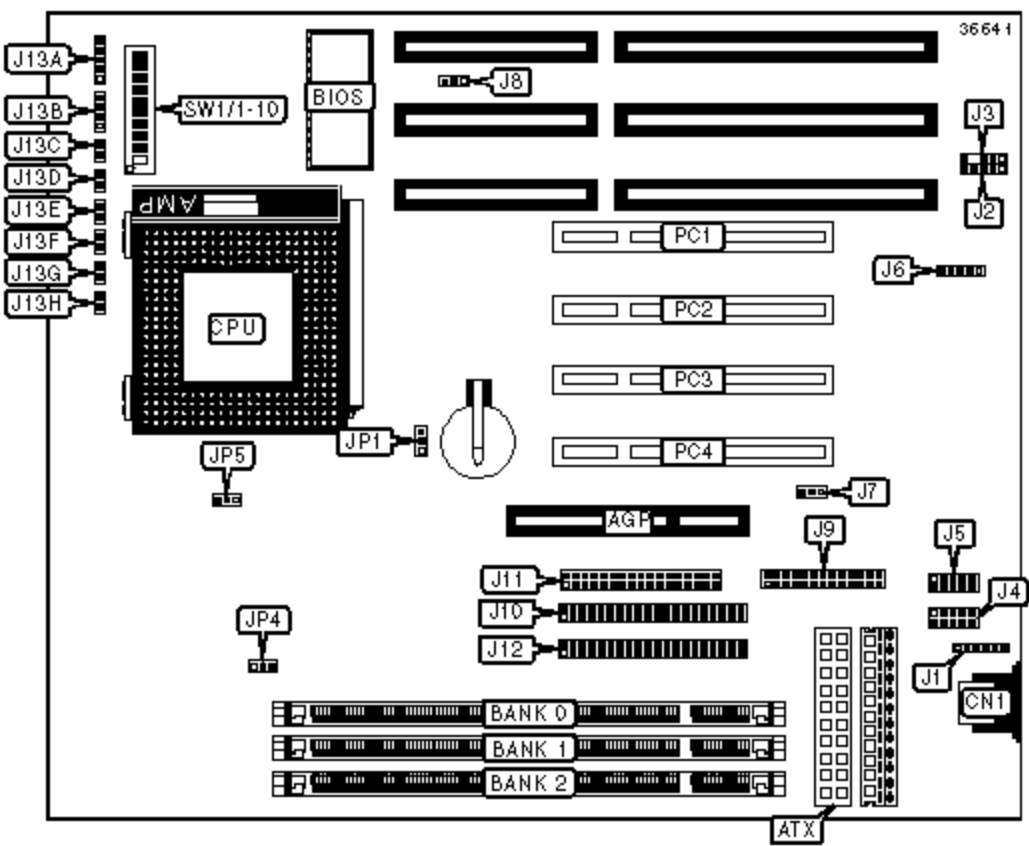


# DIAMOND FLOWER, INC.

## K6BV3+ (REV. A+)

<b>Device Type</b>	Mainboard
<b>Processor</b>	CX 6X86L/CX 686MX/IBM 6X86MX/CX M2/IDT C6/IDT WinCHIP2/AM K5/AM K6/AM K6-2/AM K6-3/Pentium/Pentium MMX
<b>Processor Speed</b>	100/133/166/200/225/233/266/300/333/350/366/380/400/450/475/500MHz
<b>Chip Set</b>	VIA
<b>Maximum Onboard Memory</b>	768MB (SDRAM supported)
<b>Cache</b>	1024/2048KB
<b>BIOS</b>	Award
<b>Dimensions</b>	Unidentified
<b>I/O Options</b>	32-bit PCI slots (4), floppy drive interface, green PC connector, IDE interfaces (2), parallel port, PS/2 mouse port, PS/2 mouse interface, serial interfaces (2), IR connector, USB connectors (2), ATX power connector, AGP slot



### CONNECTIONS

Purpose	Location	Purpose	Location
AGP slot	AGP	IDE interface 2	J10
ATX power connector	ATX	Floppy drive interface	J11
PS/2 mouse port	CN1	IDE interface 1	J12
PS/2 mouse interface	J1	Power LED & keylock	J13A
USB interface 2	J2	PC speaker	J13B
USB interface 1	J3	Reset switch	J13C

Serial interface 1	J4	Green PC connector	J13D
Serial interface 2	J5	Green PC LED	J13E
IR connector	J6	IDE interface LED	J13F
AGP fan power	J7	Power switch	J13G
CPU fan power	J8	Power stand-by LED	J13H
Parallel interface	J9	32-bit PCI slots	PC1 - PC4

### USER CONFIGURABLE SETTINGS

Function		Label	Position
»	CMOS memory normal operation	JP1	Pins 2 & 3 closed
	CMOS memory clear	JP1	Pins 1 & 2 closed
»	SDRAM clock speed set by AGP clock	JP4	Pins 1 & 2 closed
	SCRAM clock speed set by CPU clock	JP4	Pins 2 & 3 closed

### DIMM CONFIGURATION

Size	Bank 0	Bank 1	Bank 2
16MB	(1) 2M x 64	None	None
32MB	(1) 2M x 64	(1) 2M x 64	None
32MB	(1) 4M x 64	None	None
48MB	(1) 2M x 64	(1) 2M x 64	(1) 2M x 64
64MB	(1) 4M x 64	(1) 4M x 64	None
64MB	(1) 8M x 64	None	None
64MB	(1) 4M x 64	(1) 2M x 64	(1) 2M x 64
96MB	(1) 4M x 64	(1) 4M x 64	(1) 4M x 64
96MB	(1) 8M x 64	(1) 2M x 64	(1) 2M x 64
128MB	(1) 8M x 64	(1) 8M x 64	None
128MB	(1) 16M x 64	None	None

128MB	(1) 8M x 64	(1) 4M x 64	(1) 4M x 64
160MB	(1) 16M x 64	(1) 2M x 64	(1) 2M x 64
192MB	(1) 8M x 64	(1) 8M x 64	(1) 8M x 64
192MB	(1) 16M x 64	(1) 4M x 64	(1) 4M x 64
256MB	(1) 16M x 64	(1) 16M x 64	None
256MB	(1) 32M x 64	None	None
256MB	(1) 16M x 64	(1) 8M x 64	(1) 8M x 64
288MB	(1) 32M x 64	(1) 2M x 64	(1) 2M x 64
320MB	(1) 32M x 64	(1) 4M x 64	(1) 4M x 64
384MB	(1) 16M x 64	(1) 16M x 64	(1) 16M x 64
384MB	(1) 32M x 64	(1) 8M x 64	(1) 8M x 64
512MB	(1) 32M x 64	(1) 32M x 64	None
512MB	(1) 32M x 64	(1) 16M x 64	(1) 16M x 64
768MB	(1) 32M x 64	(1) 32M x 64	(1) 32M x 64

Note: Board supports SDRAM memory.

#### CPU SPEED SELECTION (CX 6X86L)

CPU speed	Clock speed	Multiplier	SW1/1	SW1/2	SW1/3	SW1/4	SW1/5	SW1/6
166MHz	66MHz	2x	Off	On	On	On	Off	Off
200MHz	75MHz	2x	Off	Off	On	On	Off	Off

#### CPU SPEED SELECTION (CX 6X68MX)

CPU speed	Clock speed	Multiplier	SW1/1	SW1/2	SW1/3	SW1/4	SW1/5	SW1/6
200MHz	66MHz	2.5x	Off	On	On	On	On	Off
233MHz	75MHz	2.5x	Off	Off	On	On	On	Off
266MHz	83MHz	2.5x	Off	On	Off	On	On	Off



133MHz	66MHz	2x	Off	On	On	On	Off	Off
166MHz	66MHz	2.5x	Off	On	On	On	On	Off

**CPU SPEED SELECTION (AM K6)**

CPU speed	Clock speed	Multiplier	SW1/1	SW1/2	SW1/3	SW1/4	SW1/5	SW1/6
166MHz	66MHz	2.5x	Off	On	On	On	On	Off
200MHz	66MHz	3x	Off	On	On	Off	On	Off
233MHz	66MHz	3.5x	Off	On	On	Off	Off	Off
266MHz	66MHz	4x	Off	On	On	On	Off	On
300MHz	66MHz	4.5x	Off	On	On	On	On	On

**CPU SPEED SELECTION (AM K6-2)**

CPU speed	Clock speed	Multiplier	SW1/1	SW1/2	SW1/3	SW1/4	SW1/5	SW1/6
250MHz	100MHz	2.5x	Off	Off	Off	On	On	Off
266MHz	66MHz	4x	Off	On	On	On	Off	On
300MHz	66MHz	4.5x	Off	On	On	On	On	On
300MHz	100MHz	3x	Off	Off	Off	Off	On	Off
333MHz	66MHz	5x	Off	On	On	Off	On	On
333MHz	95MHz	3.5x	On	Off	Off	Off	Off	Off
350MHz	100MHz	3.5x	Off	Off	Off	Off	Off	Off
366MHz	66MHz	5.5x	Off	On	On	Off	Off	On
380MHz	95MHz	4x	On	Off	Off	On	Off	On
400MHz	100MHz	4x	Off	Off	Off	On	Off	On
450MHz	100MHz	4.5x	Off	Off	Off	On	On	On
475MHz	95MHz	5x	On	Off	Off	Off	On	On
500MHz	100MHz	5x	Off	Off	Off	Off	On	On

**CPU SPEED SELECTION (AM K6-3)**

CPU speed	Clock speed	Multiplier	SW1/1	SW1/2	SW1/3	SW1/4	SW1/5	SW1/6
400MHz	100MHz	4x	Off	Off	Off	On	Off	On
450MHz	100MHz	4.5x	Off	Off	Off	On	On	On
475MHz	95MHz	5x	On	Off	Off	Off	On	On
500MHz	100MHz	5x	Off	Off	Off	Off	On	On

**CPU SPEED SELECTION (IDT C6)**

CPU speed	Clock speed	Multiplier	SW1/1	SW1/2	SW1/3	SW1/4	SW1/5	SW1/6
200MHz	66MHz	3x	Off	On	On	Off	On	Off
225MHz	75MHz	3x	Off	Off	On	Off	On	Off

**CPU SPEED SELECTION (IDT WinChip2)**

CPU speed	Clock speed	Multiplier	SW1/1	SW1/2	SW1/3	SW1/4	SW1/5	SW1/6
200MHz	66MHz	3x	Off	On	On	Off	On	Off
225MHz	75MHz	3x	Off	Off	On	Off	On	Off
233MHz	66MHz	3.5x	Off	On	On	Off	Off	Off
266MHz	100MHz	2.33x	Off	Off	Off	Off	On	On
300MHz	100MHz	2.5x	Off	Off	Off	On	On	Off

**CPU SPEED SELECTION (PENTIUM)**

CPU speed	Clock speed	Multiplier	SW1/1	SW1/2	SW1/3	SW1/4	SW1/5	SW1/6
100MHz	66MHz	1.5x	Off	On	On	Off	Off	Off
133MHz	66MHz	2x	Off	On	On	On	Off	Off
166MHz	66MHz	2.5x	Off	On	On	On	On	Off
200MHz	66MHz	3x	Off	On	On	Off	On	Off

### CPU SPEED SELECTION (PENTIUM MMX)

CPU speed	Clock speed	Multiplier	SW1/1	SW1/2	SW1/3	SW1/4	SW1/5	SW1/6
166MHz	66MHz	2.5x	Off	On	On	On	On	Off
200MHz	66MHz	3x	Off	On	On	Off	On	Off
233MHz	66MHz	3.5x	Off	On	On	Off	Off	Off

### CPU VOLTAGE SELECTION

Voltage	JP5	SW1/7	SW1/8	SW1/9	SW1/10
2.0V	1 & 2	Off	Off	Off	Off
2.1V	1 & 2	On	Off	Off	Off
2.2V	1 & 2	Off	On	Off	Off
2.3V	1 & 2	On	On	Off	Off
2.4V	1 & 2	Off	Off	On	Off
2.5V	1 & 2	On	Off	On	Off
2.6V	1 & 2	Off	On	On	Off
2.7V	1 & 2	On	On	On	Off
2.8V	1 & 2	Off	Off	Off	On
2.9V	1 & 2	On	Off	Off	On
3.0V	1 & 2	Off	On	Off	On
3.1V	1 & 2	On	On	Off	On
3.2V	1 & 2	Off	Off	On	On
3.3V	2 & 3	On	Off	On	On
3.4V	2 & 3	Off	On	On	On
3.5V	2 & 3	On	On	On	On

Note: Designated pins should be in the closed position.