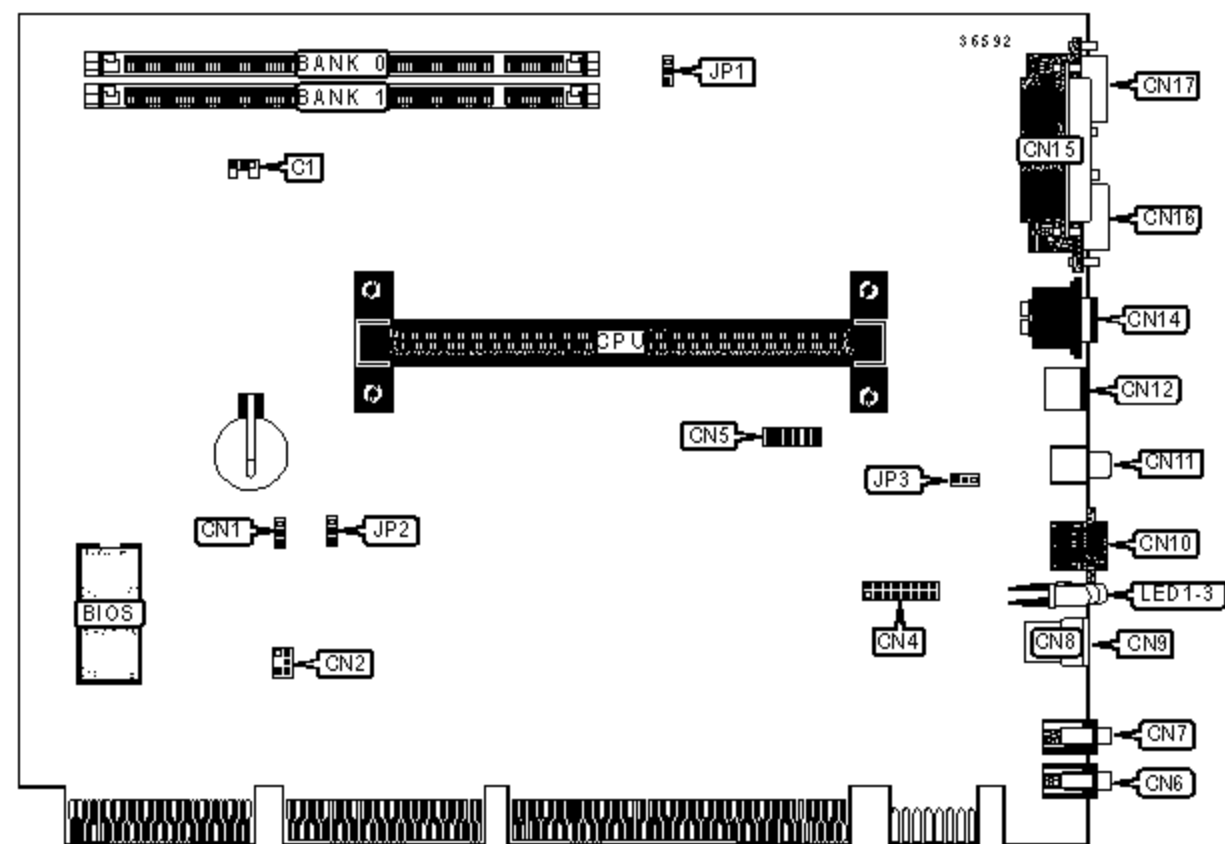


CHAINTECH COMPUTER COMPANY, LTD.

CT-6BPV

Device Type	Mainboard
Processor	Pentium II/Celeron
Processor Speed	233/266/300/333/350/366/400/433/450MHz
Chip Set	Intel 440BX/440ZX
Video Chip Set	ATI
Audio Chip Set	ESS
Maximum Onboard Memory	256MB (SDRAM supported)
Maximum Video Memory	8MB
Maximum Audio Memory	Unidentified
Cache	0/128/256/512KB (located on the CPU)
BIOS	Award
Dimensions	205mm x 255mm
I/O Options (mainboard)	Game/MIDI interface, parallel port, PS/2 mouse port, serial port, VGA port, riser slot, USB ports (2), line in, line out, Ethernet 10BaseT connector, Wake-on-LAN connector, SB-Link connector, S-video port, Composite video port, serial interface
I/O Options (riser card)	32-bit PCI slots (2), CD-ROM interface, floppy drive interface, green PC connector, IDE interface, IR connector, USB ports (2), ATX power connector, speaker/microphone in, Wake-on-LAN connector, SB-Link, S-video port, Composite video port, Modem telephony connector



CONNECTIONS

Purpose	Location	Purpose	Location
CPU fan power	C1	USB port 2	CN9
Wake-on-LAN connector	CN1	Ethernet 10BaseT via RJ-45 connector	CN10
SB-Link connector	CN2	Composite video out	CN11

Game/MIDI interface	CN4	S-Video out	CN12
Serial interface 2	CN5	PS/2 mouse port	CN14
Line out	CN6	Parallel port	CN15
Line in	CN7	Serial port 1	CN16
USB port 1	CN8	VGA port	CN17

USER CONFIGURABLE SETTINGS

Function		Label	Position
	On-board VGA enabled	JP1	Pins 1 & 2 Closed
	On-board VGA disabled	JP1	Pins 2 & 3 Closed
»	CMOS memory normal operation	JP2	Pins 1 & 2 Closed
	CMOS memory clear	JP2	Pins 2 & 3 Closed
	Keyboard power-on disabled	JP3	Pins 1 & 2 Closed
	Keyboard power-on enabled	JP3	Pins 2 & 3 Closed

DIMM CONFIGURATION

Size	Bank 0	Bank 1
16MB	(1) 2M x 64	None
32MB	(1) 4M x 64	None
32MB	(1) 2M x 64	(1) 2M x 64
48MB	(1) 4M x 64	(1) 2M x 64
64MB	(1) 8M x 64	None
64MB	(1) 4M x 64	(1) 4M x 64
80MB	(1) 8M x 64	(1) 2M x 64
96MB	(1) 8M x 64	(1) 4M x 64
128MB	(1) 16M x 64	None
128MB	(1) 8M x 64	(1) 8M x 64
144MB	(1) 16M x 64	(1) 2M x 64

160MB	(1) 16M x 64	(1) 4M x 64
192MB	(1) 16M x 64	(1) 8M x 64
256MB	(1) 16M x 64	(1) 16M x 64

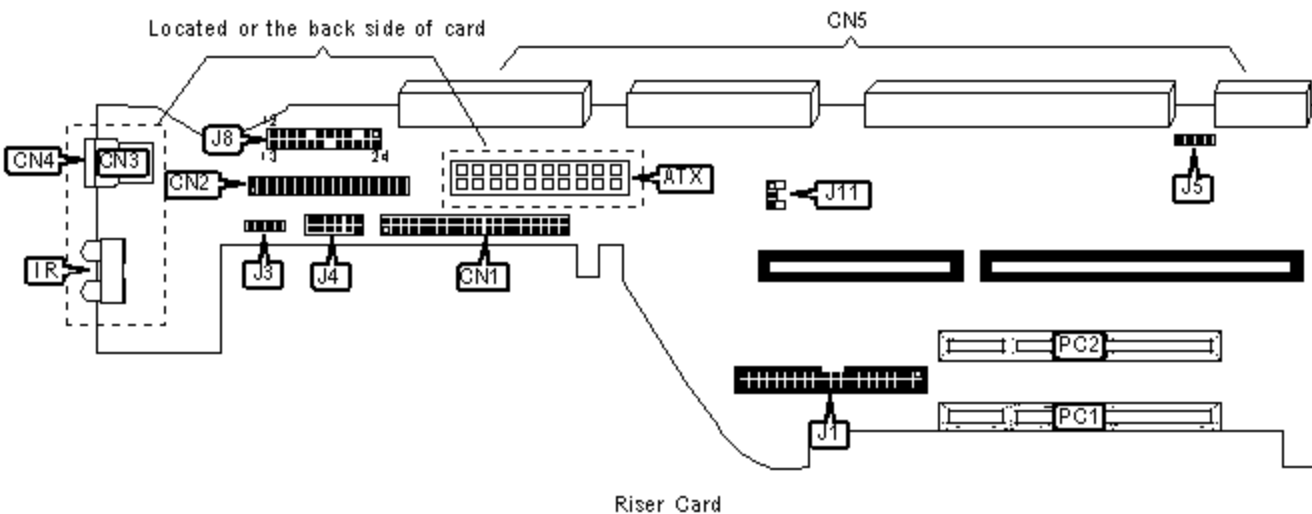
Note: Board supports SDRAM memory.

CACHE CONFIGURATION

Note: 256KB/512KB cache is located on the Pentium II CPU. 128KB cache is located on the Celeron 300A & 333 CPUs.

DIAGNOSTIC LED(S)

Note: Diagnostic information for LEDs 1-3 is not available.



CONNECTIONS

Purpose	Location	Purpose	Location
ATX power connector	ATX	Turbo LED	J8/Pins 1 & 2
IDE interface	CN1	Green PC connector	J8/Pins 4 & 5
Floppy drive interface	CN2	Green PC LED	J8/Pins 6 & 7
USB port 1	CN3	Reset switch	J8/Pins 9 & 10
USB port 2	CN4	IDE interface LED	J8/Pins 11 & 12
Riser card connectors	CN5	Over-ride power connector	J8/Pins 13 & 14

IR connector	IR	Speaker 2	J8/Pins 15-18
CD-ROM interface	J1	Power LED & keylock	J8/Pins 20-24
Speaker 1	J3	Chassis fan power	J11
Speaker & Mic-in connector	J4	32-bit PCI slots	PC1 - PC2
Modem telephony connector	J5		

MISCELLANEOUS NOTES

Only two USB ports may be in use at the same time. Either both ports on the Mainboard, both ports on the Riser card, or one port on each may be used simultaneously.