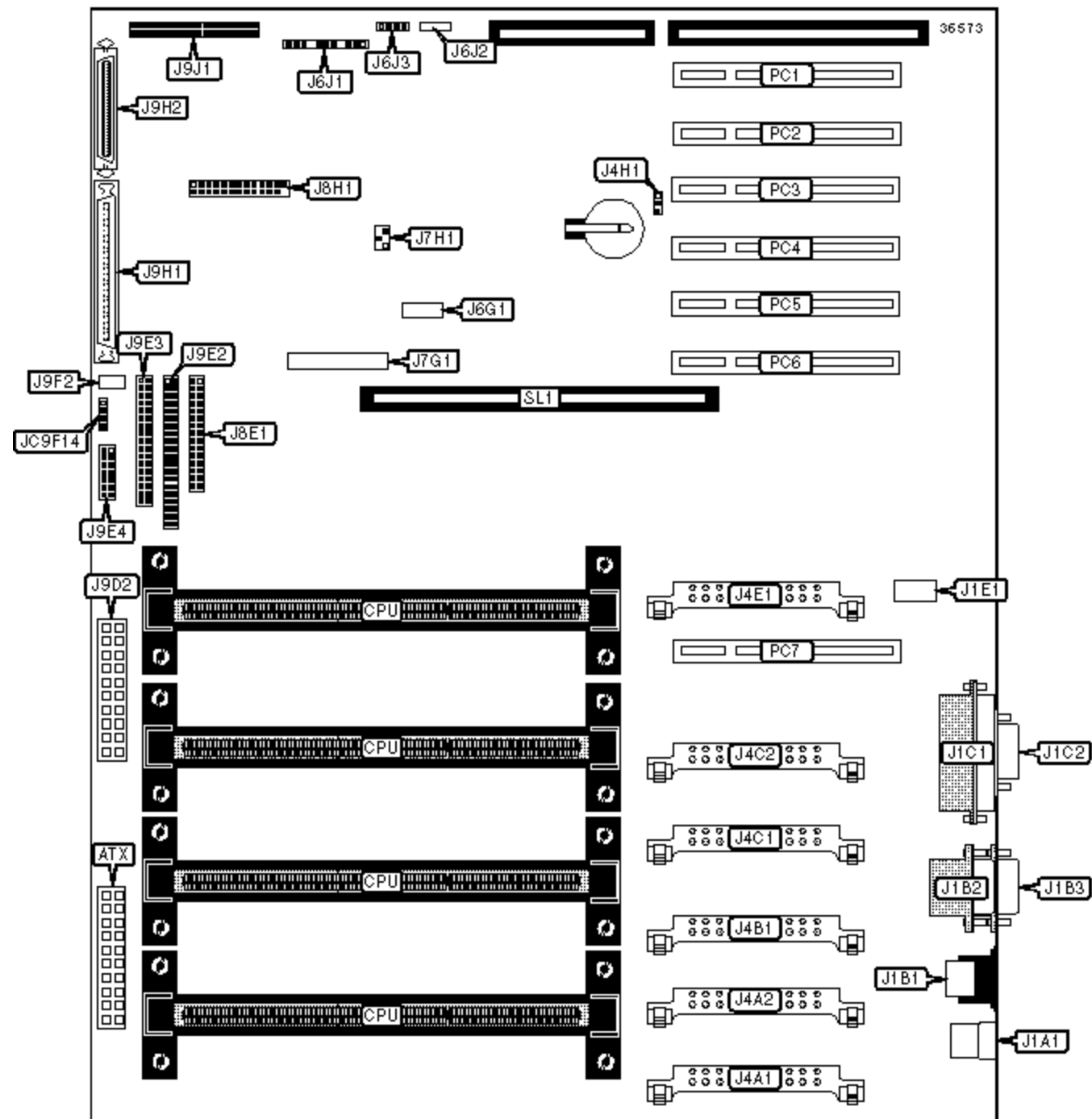


INTEL CORPORATION

SC450NX

Device Type	Mainboard
Processor	Pentium II Xeon (4)
Processor Speed	400/450MHz
Chip Set	Intel 450NX
Video Chip Set	Cirrus Logic
Maximum Onboard Memory	4GB (EDO supported)
Maximum Video Memory	2MB
Cache	512KB/1MB/2MB (located on the Pentium II CPU)
BIOS	Phoenix
Dimensions	330mm x 406mm
I/O Options	32-bit PCI slots (7), floppy drive interface, IDE interface, SCSI interface, Wide SCSI interface, parallel port, PS/2 mouse port, serial ports (2), VGA port, riser slot, USB port, ATX power connector



CONNECTIONS

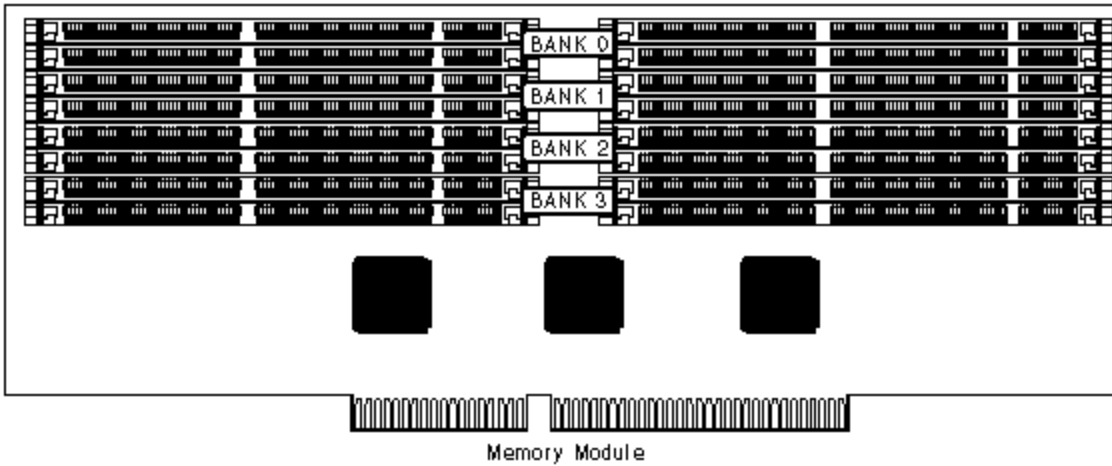
Purpose	Location	Purpose	Location
ATX power connector	ATX	Hard drive LED connector	J6J3
USB port	J1A1	F16 expansion connector	J7G1
PS/2 mouse port	J1B1	External IPMB connector	J7H1
Serial port 1	J1B2	Front panel connector	J8E1
Serial port 2	J1B3	SMM connector	J8H1
Parallel port	J1C1	ATX power connector - secondary	J9D2
15-pin video connector	J1C2	IDE interface	J9E2
ICMB connector	J1E1	Floppy drive interface	J9E3
VRM connector - processor 1	J4A1	Auxiliary power connector	J9E4
VRM connector - processors 1 & 2	J4A2	SMBus connector	J9F2
VRM connector - processor 2	J4B1	SCSI interface	J9H1
VRM connector - processor 3	J4C1	Wide SCSI interface 1	J9H2
VRM connector - processors 3 & 4	J4C2	Wide SCSI interface 2	J9J1
VRM connector - processor 4	J4E1	USB interface	JC9F14
Wake-on-LAN connector	J4H1	32-bit PCI slots	PC1 - PC7
ITP connector	J6G1	Memory module slot	SL1
PC speaker connector	J6J2		

USER CONFIGURABLE SETTINGS

	Function	Label	Position
»	CMOS memory normal operation	J6J1	Pins 1 & 2 closed
	CMOS memory clear	J6J1	Pins 2 & 3 closed
»	Password normal operation	J6J1	Pins 5 & 6 closed
	Password clear	J6J1	Pins 6 & 7 closed
»	Normal boot from BIOS in flash memory	J6J1	Pins 9 & 10 closed
	Boot from BIOS on floppy diskette, update flash memory	J6J1	Pins 10 & 11 closed

CACHE CONFIGURATION

Note: 512KB/2MB cache is located on the Pentium II Xeon CPU



DIMM CONFIGURATION

Size	Bank 0	Bank 1	Bank 2	Bank 3
128MB	(4) 4M x 64	None	None	None
256MB	(4) 4M x 64	(4) 4M x 64	None	None
256MB	(4) 8M x 64	None	None	None
512MB	(4) 4M x 64	(4) 4M x 64	(4) 4M x 64	(4) 4M x 64
512MB	(4) 8M x 64	(4) 8M x 64	None	None
512MB	(4) 16M x 64	None	None	None
1024MB	(4) 8M x 64	(4) 8M x 64	(4) 8M x 64	(4) 8M x 64
1024MB	(4) 16M x 64	(4) 16M x 64	None	None
1536MB	(4) 16M x 64	(4) 16M x 64	(4) 8M x 64	(4) 8M x 64
1536MB	(4) 16M x 64	(4) 16M x 64	(4) 16M x 64	None
2048MB	(4) 16M x 64	(4) 16M x 64	(4) 16M x 64	(4) 16M x 64

Note: Board accepts EDO memory.