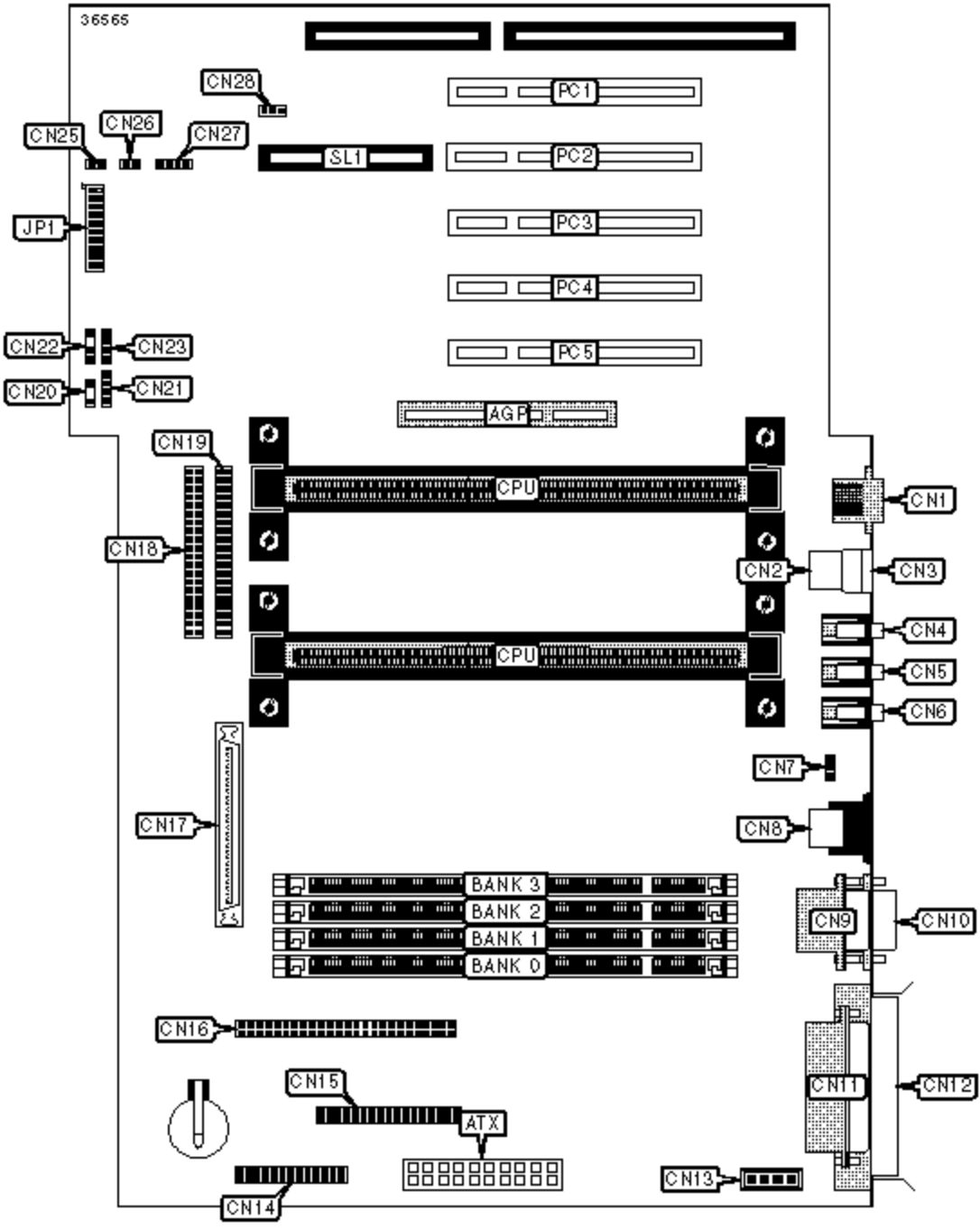


DELL COMPUTER CORPORATION

PRECISION WS 410

Device Type	Mainboard
Processor	Pentium II (2)
Processor Speed	350/400MHz
Chip Set	Intel 440BX
Audio Chip Set	Crystal
Maximum Onboard Memory	1GB (SDRAM supported)
Maximum Audio Memory	Unidentified
Cache	256/512KB (located on the Pentium II CPU)
BIOS	Unidentified
Dimensions	Unidentified
I/O Options	32-bit PCI slots (5), Ethernet 10BaseT connector, floppy drive interface, IDE interface (2), SCSI interface (2), parallel port, PS/2 mouse port, serial ports (2), USB connectors (2), ATX power connector, AGP slot, line in, line out, microphone in, audio in - CD-ROM, RAID slot



CONNECTIONS

Purpose	Location	Purpose	Location
AGP port	AGP	Floppy drive interface	CN15
ATX power connector	ATX	SCSI interface	CN16
RJ-45 UTP connector	CN1	SCSI interface	CN17
USB connector 1	CN2	EIDE interface 1	CN18
USB connector 2	CN3	EIDE interface 2	CN19
Line in	CN4	Chassis intrusion connector	CN20
Line out	CN5	PC speaker connector 1	CN21
Microphone in	CN6	Thermal sensor connector	CN22
CPU fan power connector	CN7	PC speaker connector 2	CN23
PS/2 mouse port	CN8	Power LED connector	CN25
Serial port 1	CN9	Standby LED connector	CN26
Serial port 2	CN10	IDE interface LED connector	CN27
Parallel port	CN11	Wake-on-LAN connector	CN28
SCSI interface	CN12	32-bit PCI slots	PC1 - PC5
Audio in - CD-ROM	CN13	RAID slot	SL1

USER CONFIGURABLE SETTINGS

	Function	Label	Position
»	Factory configured - do not alter	JP1/Pins 1 & 2	Open
»	Factory configured - do not alter	JP1/Pins 3 & 4	Open
	System board installed in mini-tower case (not required)	JP1/Pins 13 & 14	Closed
»	Factory configured - do not alter	JP1/Pins 15 & 16	Open
»	Password enabled	JP1/Pins 17 & 18	Closed
	Password disabled	JP1/Pins 17 & 18	Open
»	Factory configured - do not alter	JP1/Pins 19 & 20	Open

DIMM CONFIGURATION

Size	Bank 0	Bank 1	Bank 2	Bank 3
64MB	(1) 4M x 64	(1) 4M x 64	None	None
64MB	(1) 8M x 64	None	None	None
96MB	(1) 8M x 64	(1) 4M x 64	None	None
96MB	(1) 4M x 64	(1) 4M x 64	(1) 4M x 64	None
128MB	(1) 16M x 64	None	None	None
128MB	(1) 8M x 64	(1) 8M x 64	None	None
128MB	(1) 8M x 64	(1) 4M x 64	(1) 4M x 64	None
128MB	(1) 4M x 64	(1) 4M x 64	(1) 4M x 64	(1) 4M x 64
192MB	(1) 16M x 64	(1) 8M x 64	None	None
192MB	(1) 16M x 64	(1) 4M x 64	(1) 4M x 64	None
256MB	(1) 32M x 64*	None	None	None
256MB	(1) 16M x 64	(1) 16M x 64	None	None
256MB	(1) 16M x 64	(1) 8M x 64	(1) 8M x 64	None
256MB	(1) 16M x 64	(1) 8M x 64	(1) 4M x 64	(1) 4M x 64
320MB	(1) 16M x 64	(1) 16M x 64	(1) 8M x 64	None
320MB	(1) 16M x 64	(1) 16M x 64	(1) 4M x 64	(1) 4M x 64
384MB	(1) 16M x 64	(1) 16M x 64	(1) 16M x 64	None
428MB	(1) 16M x 64	(1) 16M x 64	(1) 16M x 64	(1) 8M x 64
512MB	(1) 16M x 64	(1) 16M x 64	(1) 16M x 64	(1) 16M x 64
512MB	(1) 32M x 64*	(1) 32M x 64*	None	None
768MB	(1) 32M x 64*	(1) 32M x 64*	(1) 32M x 64*	None
1GB	(1) 32M x 64*	(1) 32M x 64*	(1) 32M x 64*	(1) 32M x 64*

*Note: 256MB DIMMs supported must be registered SDRAM.

CACHE CONFIGURATION

Note: 256KB/512KB cache is located on the Pentium II CPU

CPU SPEED SELECTION

Speed	JP1
300MHz	Pins 11 & 12 closed
350MHz	Pins 9 & 10 closed
400MHz	Pins 7 & 8 closed
450MHz	Pins 5 & 6 closed