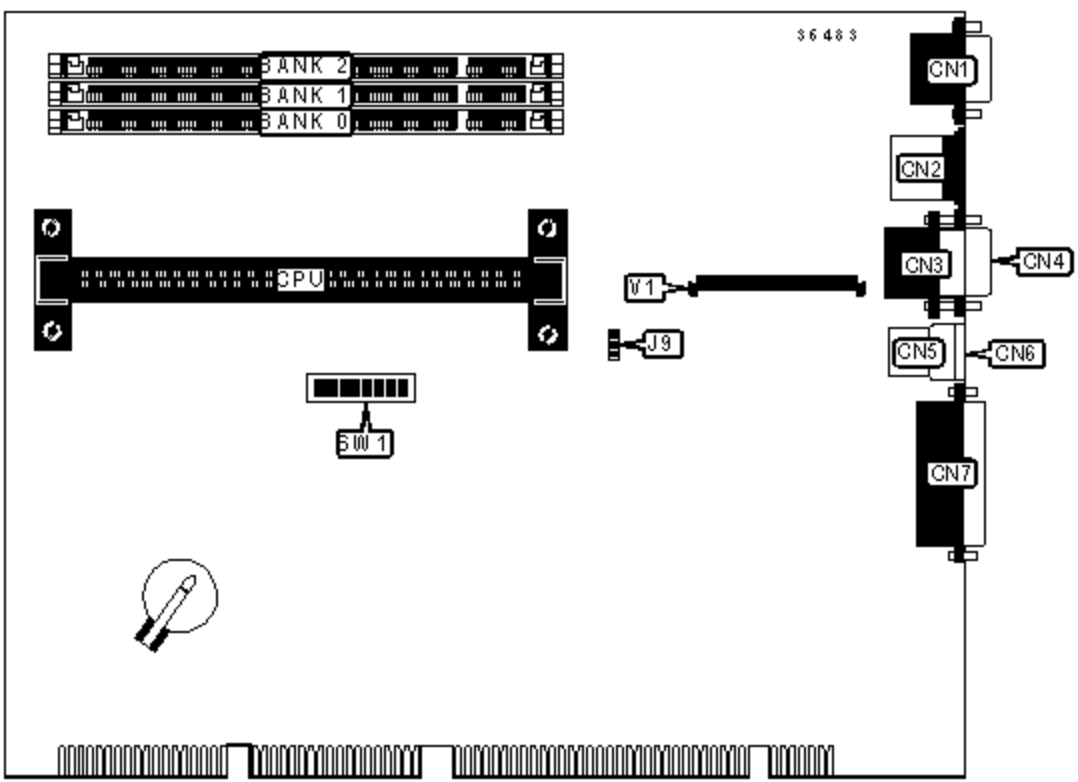


# IBM CORPORATION

## PC300 (TYPE 6263, 6265, 6275, 6285)

<b>Device Type</b>	Mainboard
<b>Processor</b>	Pentium II/Celeron/Pentium III
<b>Processor Speed</b>	233/266/300/333/350/400/450MHz
<b>Chip Set</b>	Unidentified
<b>Video Chip Set</b>	Unidentified
<b>Maximum Onboard Memory</b>	384MB (SDRAM supported)
<b>Maximum Video Memory</b>	Unidentified
<b>Audio Chip Set</b>	Unidentified
<b>Cache</b>	256/512KB (located on the CPU)
<b>BIOS</b>	Unidentified
<b>Dimensions</b>	254mm x 218mm
<b>I/O Options (CPU)</b>	parallel port, PS/2 mouse port, serial ports (2), USB connectors (2), AGP slot
<b>I/O Options (riser card)</b>	32-bit PCI slots (2), wake on LAN connector, wake on modem connector, floppy drive interface, IDE interfaces (2), audio in - CD-ROM



CONNECTIONS			
Purpose	Location	Purpose	Location
VGA port	CN1	USB connector 1	CN5
PS/2 mouse port	CN2	USB connector 2	CN6
Serial port 1	CN3	Parallel port	CN7
Serial port 2	CN4	Video memory module	V1

## USER CONFIGURABLE SETTINGS

Function		Label	Position
»	CMOS memory normal operation	J9	Pins 1 & 2 closed
	CMOS memory clear	J9	Pins 2 & 3 closed
»	BIOS normal operation	SW1/5	Off
	BIOS recovery mode	SW1/5	On
»	Factory configured - do not alter	SW1/6	Off
»	PAP disabled	SW1/7	Off
	PAP enabled	SW1/7	On
»	Floppy drive write protect disabled	SW1/8	Off
	Floppy drive write protect enabled	SW1/8	On

## DIMM CONFIGURATION

Size	Bank 0	Bank 1	Bank 2
8MB	(1) 1M x 64	None	None
16MB	(1) 2M x 64	None	None
16MB	(1) 1M x 64	(1) 1M x 64	None
24MB	(1) 2M x 64	(1) 1M x 64	None
24MB	(1) 1M x 64	(1) 1M x 64	(1) 1M x 64
32MB	(1) 4M x 64	None	None
32MB	(1) 2M x 64	(1) 1M x 64	(1) 1M x 64
32MB	(1) 2M x 64	(1) 2M x 64	None
40MB	(1) 4M x 64	(1) 1M x 64	None
40MB	(1) 2M x 64	(1) 2M x 64	(1) 1M x 64
48MB	(1) 4M x 64	(1) 1M x 64	(1) 1M x 64
48MB	(1) 4M x 64	(1) 2M x 64	None
48MB	(1) 2M x 64	(1) 2M x 64	(1) 2M x 64
56MB	(1) 4M x 64	(1) 2M x 64	(1) 1M x 64

64MB	(1) 8M x 64	None	None
64MB	(1) 4M x 64	(1) 2M x 64	(1) 2M x 64
64MB	(1) 4M x 64	(1) 4M x 64	None
72MB	(1) 8M x 64	(1) 1M x 64	None
72MB	(1) 4M x 64	(1) 4M x 64	(1) 1M x 64
80MB	(1) 8M x 64	(1) 1M x 64	(1) 1M x 64
80MB	(1) 8M x 64	(1) 2M x 64	None
80MB	(1) 4M x 64	(1) 4M x 64	(1) 2M x 64
88MB	(1) 8M x 64	(1) 2M x 64	(1) 1M x 64
96MB	(1) 8M x 64	(1) 2M x 64	(1) 2M x 64
96MB	(1) 8M x 64	(1) 4M x 64	None
96MB	(1) 4M x 64	(1) 4M x 64	(1) 4M x 64
104MB	(1) 8M x 64	(1) 4M x 64	(1) 1M x 64

### DIMM CONFIGURATION (CON'T)

Size	Bank 0	Bank 1	Bank 2
112MB	(1) 8M x 64	(1) 4M x 64	(1) 2M x 64
128MB	(1) 16M x 64	None	None
128MB	(1) 8M x 64	(1) 4M x 64	(1) 4M x 64
128MB	(1) 8M x 64	(1) 8M x 64	None
136MB	(1) 16M x 64	(1) 1M x 64	None
136MB	(1) 8M x 64	(1) 8M x 64	(1) 1M x 64
144MB	(1) 16M x 64	(1) 1M x 64	(1) 1M x 64
144MB	(1) 16M x 64	(1) 2M x 64	None
144MB	(1) 8M x 64	(1) 8M x 64	(1) 2M x 64
152MB	(1) 16M x 64	(1) 2M x 64	(1) 1M x 64
160MB	(1) 16M x 64	(1) 2M x 64	(1) 2M x 64
160MB	(1) 16M x 64	(1) 4M x 64	None

160MB	(1) 8M x 64	(1) 8M x 64	(1) 4M x 64
168MB	(1) 16M x 64	(1) 4M x 64	(1) 1M x 64
176MB	(1) 16M x 64	(1) 4M x 64	(1) 2M x 64
192MB	(1) 16M x 64	(1) 4M x 64	(1) 4M x 64
192MB	(1) 16M x 64	(1) 8M x 64	None
192MB	(1) 8M x 64	(1) 8M x 64	(1) 8M x 64
200MB	(1) 16M x 64	(1) 8M x 64	(1) 1M x 64
208MB	(1) 16M x 64	(1) 8M x 64	(1) 2M x 64
224MB	(1) 16M x 64	(1) 8M x 64	(1) 4M x 64
256MB	(1) 16M x 64	(1) 8M x 64	(1) 8M x 64
384MB	(1) 16M x 64	(1) 16M x 64	(1) 16M x 64
Note: Board accepts SDRAM memory.			

### CACHE CONFIGURATION

Note: 256KB/512KB cache is located on the Pentium II CPU. 128KB cache is located on the Celeron 300A & 333 CPU. 512KB cache is located on the Pentium III CPU.

### VIDEO MEMORY CONFIGURATION

Note: The size of the video memory is unidentified.

### CPU SPEED SELECTION (CELERON)

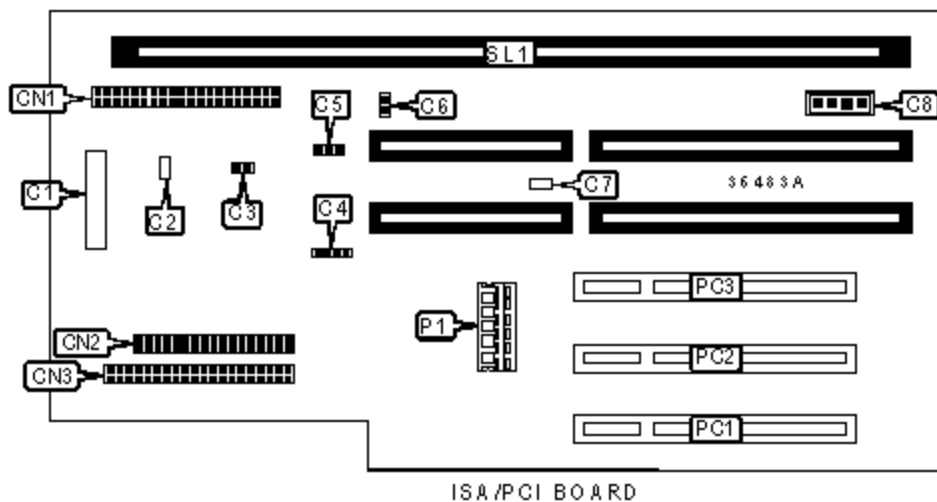
CPU speed	Clock speed	Multiplier	SW1/1	SW1/2	SW1/3	SW1/4
300MHz	66MHz	4.5x	Off	On	Off	On
333MHz	66MHz	5x	On	Off	Off	On
366MHz	66MHz	5.5x	Off	Off	Off	On
433MHz	66MHz	6.5x	Off	On	On	Off

## CPU SPEED SELECTION (PENTIUM II)

CPU speed	Clock speed	Multiplier	SW1/1	SW1/2	SW1/3	SW1/4
233MHz	66MHz	3.5x	Off	Off	On	On
266MHz	66MHz	4x	On	On	Off	On
300MHz	66MHz	4.5x	Off	On	Off	On
333MHz	66MHz	5x	On	Off	Off	On
350MHz	100MHz	3.5x	Off	Off	On	On
400MHz	100MHz	4x	On	On	Off	On
450MHz	100MHz	4.5x	Off	On	Off	On

## CPU SPEED SELECTION (PENTIUM III)

Note: No switch settings are required for the Pentium III CPU.



## CONNECTIONS

Purpose	Location	Purpose	Location
Front panel connector	C1	Audio in - CD-ROM	C8
Alert on LAN connector	C2	IDE interface 1	CN1
Chassis fan power	C3	IDE interface 2	CN2
Asset ID connector	C4	Floppy drive interface	CN3
Wake on LAN connector	C5	Power connector	P1
Wake on LAN connector	C6	33-bit PCI bus	PC1

Wake on modem connector	C6	32-bit PCI slots	PC1 - PC3
SCSI interface LED	C7	Riser slot	SL1
Note: CN1 & P1 are located on the bottom side of the card.			