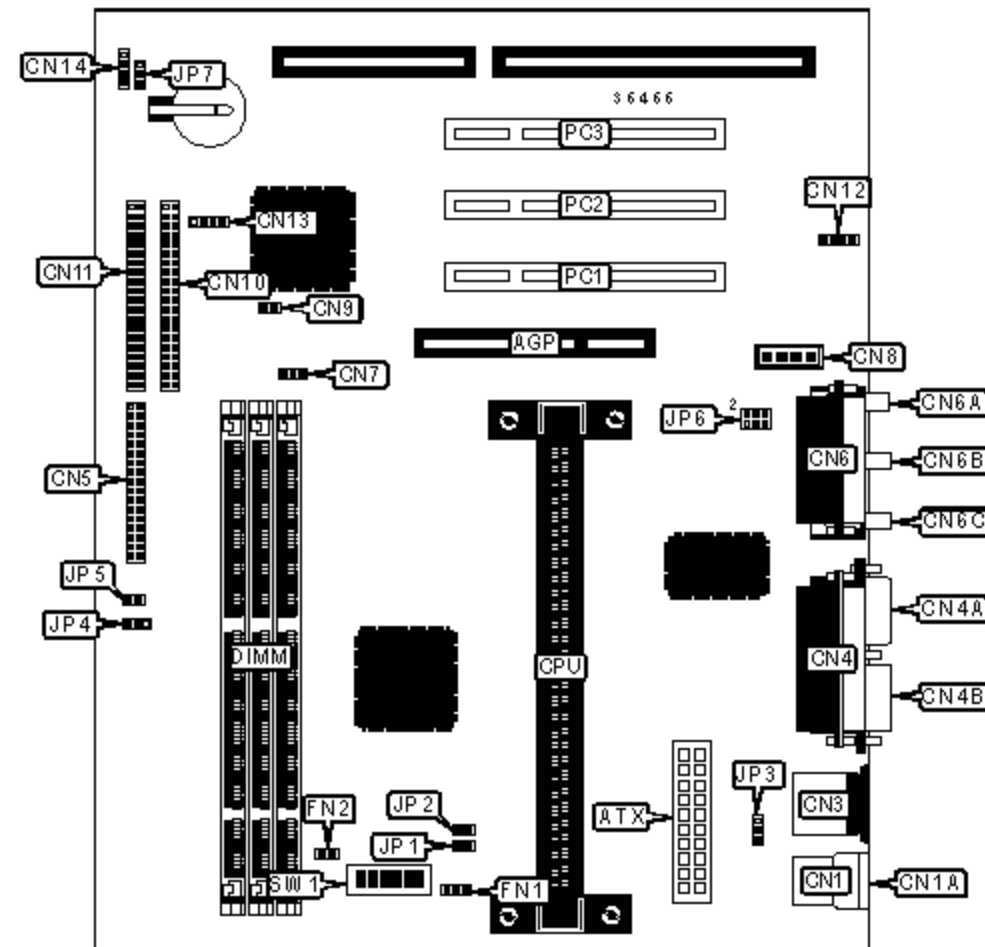


# IBM CORPORATION

## APTIVA 2163 SL-A

<b>Device Type</b>	Mainboard
<b>Processor</b>	Pentium II/Celeron
<b>Processor Speed</b>	350/366/400/450MHz
<b>Chip Set</b>	Unidentified
<b>Maximum Onboard Memory</b>	384MB (SDRAM & PC100 supported)
<b>Cache</b>	0/128/512KB (located on the CPU)
<b>BIOS</b>	Unidentified
<b>Dimensions</b>	254mm x 218mm
<b>I/O Options</b>	32-bit PCI slots (3), floppy drive interface, game/MIDI port, IDE interfaces (2), parallel port, PS/2 mouse port, serial ports (2), USB connectors (2), ATX power connector, AGP slot, line in, line out, microphone in, audio in – CD-ROM



### CONNECTIONS

Purpose	Location	Purpose	Location
AGP slot	AGP	Wake on LAN connector	CN7
ATX power connector	ATX	Audio in – CD-ROM	CN8
USB connector 1	CN1	Soft off power supply	CN9
USB connector 2	CN1A	IDE interface 2	CN10
PS/2 mouse port	CN3	IDE interface 1	CN11

Parallel port	CN4	Fax/modem connector	CN12
Serial port 2	CN4A	IDE interface LED	CN14
Serial port 1	CN4B	Fan alarm connector	FN1
Floppy drive interface	CN5	Chassis fan power	FN2
Game/MIDI port	CN6	CPU temperature connector	JP1
Microphone in	CN6A	System temperature connector	JP2
Line in	CN6B	Power LED	JP7
Line out	CN6C	32-bit PCI slots	PC1 – PC3

### USER CONFIGURABLE SETTINGS

Function		Label	Position
»	Factory configured - do not alter	JP3	Unidentified
»	Factory configured - do not alter	JP4	Unidentified
»	Factory configured - do not alter	JP5	Unidentified
»	Audio port select speaker out	JP6	Pins 3 & 5, 4 & 6 closed
	Audio port select line out	JP6	Pins 1 & 3, 2 & 4 closed
»	Password disabled	SW1/5	On
	Password enabled	SW1/5	Off
»	Factory configured - do not alter	SW1/6	Unidentified

### DIMM CONFIGURATION

Size	Bank 0	Bank 1	Bank 2
8MB	(1) 1M x 64	None	None
16MB	(1) 2M x 64	None	None
16MB	(1) 1M x 64	(1) 1M x 64	None
24MB	(1) 2M x 64	(1) 1M x 64	None
24MB	(1) 1M x 64	(1) 1M x 64	(1) 1M x 64

32MB	(1) 4M x 64	None	None
32MB	(1) 2M x 64	(1) 1M x 64	(1) 1M x 64
32MB	(1) 2M x 64	(1) 2M x 64	None
40MB	(1) 4M x 64	(1) 1M x 64	None
40MB	(1) 2M x 64	(1) 2M x 64	(1) 1M x 64
48MB	(1) 4M x 64	(1) 1M x 64	(1) 1M x 64
48MB	(1) 4M x 64	(1) 2M x 64	None
48MB	(1) 2M x 64	(1) 2M x 64	(1) 2M x 64
56MB	(1) 4M x 64	(1) 2M x 64	(1) 1M x 64
64MB	(1) 8M x 64	None	None
64MB	(1) 4M x 64	(1) 2M x 64	(1) 2M x 64
64MB	(1) 4M x 64	(1) 4M x 64	None
72MB	(1) 8M x 64	(1) 1M x 64	None
72MB	(1) 4M x 64	(1) 4M x 64	(1) 1M x 64
80MB	(1) 8M x 64	(1) 1M x 64	(1) 1M x 64

### DIMM CONFIGURATION (CON'T)

Size	Bank 0	Bank 1	Bank 2
80MB	(1) 8M x 64	(1) 2M x 64	None
80MB	(1) 4M x 64	(1) 4M x 64	(1) 2M x 64
88MB	(1) 8M x 64	(1) 2M x 64	(1) 1M x 64
96MB	(1) 8M x 64	(1) 2M x 64	(1) 2M x 64
96MB	(1) 8M x 64	(1) 4M x 64	None
96MB	(1) 4M x 64	(1) 4M x 64	(1) 4M x 64
104MB	(1) 8M x 64	(1) 4M x 64	(1) 1M x 64
112MB	(1) 8M x 64	(1) 4M x 64	(1) 2M x 64
128MB	(1) 16M x 64	None	None
128MB	(1) 8M x 64	(1) 4M x 64	(1) 4M x 64

128MB	(1) 8M x 64	(1) 8M x 64	None
136MB	(1) 16M x 64	(1) 1M x 64	None
136MB	(1) 8M x 64	(1) 8M x 64	(1) 1M x 64
144MB	(1) 16M x 64	(1) 1M x 64	(1) 1M x 64
144MB	(1) 16M x 64	(1) 2M x 64	None
144MB	(1) 8M x 64	(1) 8M x 64	(1) 2M x 64
152MB	(1) 16M x 64	(1) 2M x 64	(1) 1M x 64
160MB	(1) 16M x 64	(1) 2M x 64	(1) 2M x 64
160MB	(1) 16M x 64	(1) 4M x 64	None
160MB	(1) 8M x 64	(1) 8M x 64	(1) 4M x 64
168MB	(1) 16M x 64	(1) 4M x 64	(1) 1M x 64
176MB	(1) 16M x 64	(1) 4M x 64	(1) 2M x 64
192MB	(1) 16M x 64	(1) 4M x 64	(1) 4M x 64
192MB	(1) 16M x 64	(1) 8M x 64	None
192MB	(1) 8M x 64	(1) 8M x 64	(1) 8M x 64
200MB	(1) 16M x 64	(1) 8M x 64	(1) 1M x 64
208MB	(1) 16M x 64	(1) 8M x 64	(1) 2M x 64
224MB	(1) 16M x 64	(1) 8M x 64	(1) 4M x 64
256MB	(1) 16M x 64	(1) 8M x 64	(1) 8M x 64
384MB	(1) 16M x 64	(1) 16M x 64	(1) 16M x 64
Note: Board accepts SDRAM & PC100 memory.			

### CACHE CONFIGURATION

Note: 512KB cache is located on the Pentium II CPU. 128KB cache is located on the Celeron 300A & 333 CPU.

### CPU SPEED SELECTION (CELERON)

CPU speed	Clock speed	Multiplier	SW1/1	SW1/2	SW1/3	SW1/4
366MHz	66MHz	5.5x	Off	Off	On	Off

400MHz	66MHz	6x	On	On	Off	On

<b>CPU SPEED SELECTION (PENTIUM II)</b>						
<b>CPU speed</b>	<b>Clock speed</b>	<b>Multiplier</b>	<b>SW1/1</b>	<b>SW1/2</b>	<b>SW1/3</b>	<b>SW1/4</b>
350MHz	100MHz	3.5x	Off	On	On	Off
400MHz	100MHz	4x	On	Off	On	On
450MHz	100MHz	4.5x	On	Off	On	Off