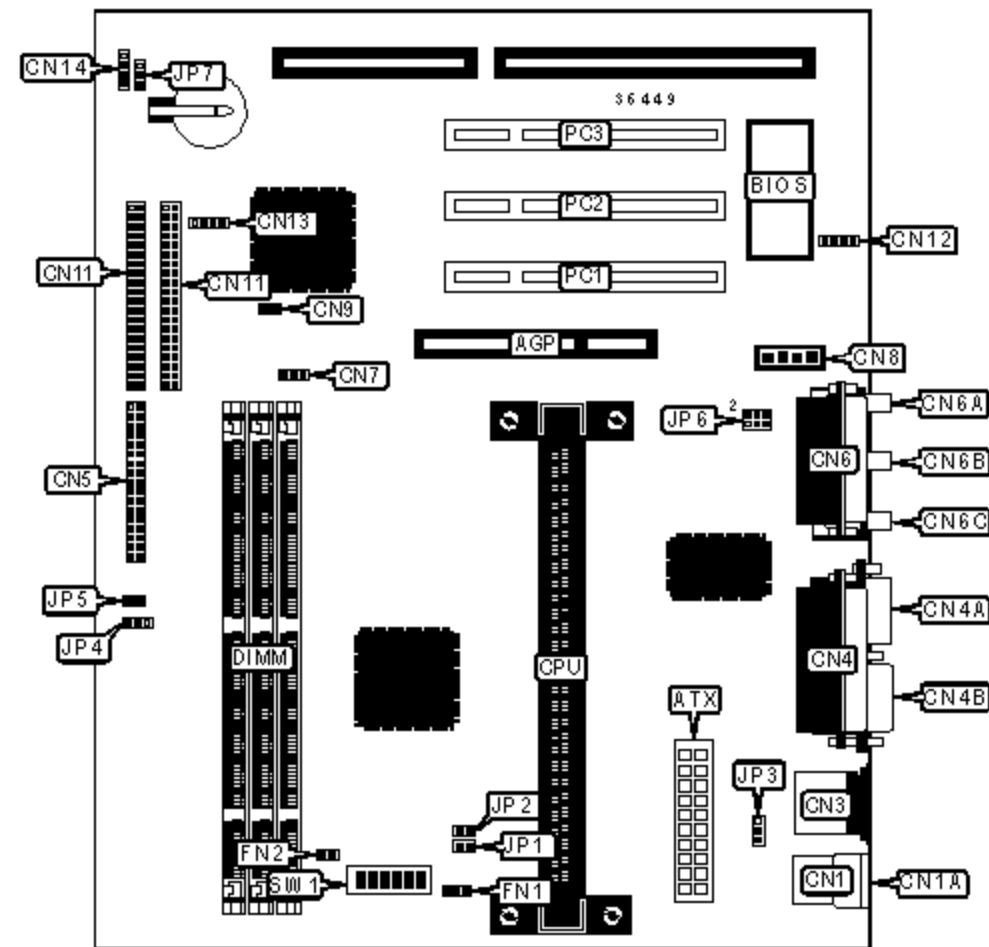


V66M

Device Type	Mainboard
Processor	Pentium II
Processor Speed	266/333/350/400MHz
Chip Set	Unidentified
Maximum Onboard Memory	512MB (SDRAM supported)
Cache	256/512KB (located on Pentium II CPU)
BIOS	Unidentified
Dimensions	220mm x 220mm
I/O Options	32-bit PCI slots (3), floppy drive interface, game/MIDI port, IDE interfaces (2), parallel port, PS/2 mouse port, serial ports (2), USB connectors (2), ATX power connector, AGP slot, line in, line out, microphone in, audio in - CD-ROM



CONNECTIONS

Purpose	Location	Purpose	Location
AGP slot	AGP	Audio in - CD-ROM	CN8
ATX power connector	ATX	Soft off power supply	CN9
USB connector 1	CN1	IDE interface 2	CN10
USB connector 2	CN1A	IDE interface 1	CN11
PS/2 mouse port	CN3	Fax/modem connector	CN12

Parallel port	CN4	IDE interface LED	CN14
Serial port 2	CN4A	Fan alarm connector	FN1
Serial port 1	CN4B	Chassis fan power	FN2
Floppy drive interface	CN5	CPU temperature connector	JP1
Game/MIDI port	CN6	System temperature connector	JP2
Microphone in	CN6A	Turbo LED	JP4
Line in	CN6B	Reset switch	JP5
Line out	CN6C	Green PC LED	JP7
Wake on LAN connector	CN7	32-bit PCI slots	PC1 - PC3

USER CONFIGURABLE SETTINGS

Function		Label	Position
»	Keyboard power on disabled	JP3	Pins 2 & 3 closed
	Keyboard power on enabled	JP3	Pins 1 & 2 closed
	Audio port select speaker out	JP6	Pins 3 & 5, 4 & 6 closed
	Audio port select line out	JP6	Pins 1 & 3, 2 & 4 closed
»	Password disabled	SW1/5	On
	Password enabled	SW1/5	Off
»	Factory configured - do not alter	SW1/6	Unidentified

DIMM CONFIGURATION

Size	Bank 0	Bank 1	Bank 2
8MB	(1) 1M x 64	None	None
16MB	(1) 2M x 64	None	None
16MB	(1) 1M x 64	(1) 1M x 64	None
24MB	(1) 2M x 64	(1) 1M x 64	None
24MB	(1) 1M x 64	(1) 1M x 64	(1) 1M x 64

32MB	(1) 4M x 64	None	None
32MB	(1) 2M x 64	(1) 1M x 64	(1) 1M x 64
32MB	(1) 2M x 64	(1) 2M x 64	None
40MB	(1) 4M x 64	(1) 1M x 64	None
40MB	(1) 2M x 64	(1) 2M x 64	(1) 1M x 64
48MB	(1) 4M x 64	(1) 1M x 64	(1) 1M x 64
48MB	(1) 4M x 64	(1) 2M x 64	None
48MB	(1) 2M x 64	(1) 2M x 64	(1) 2M x 64
56MB	(1) 4M x 64	(1) 2M x 64	(1) 1M x 64
64MB	(1) 8M x 64	None	None
64MB	(1) 4M x 64	(1) 2M x 64	(1) 2M x 64
64MB	(1) 4M x 64	(1) 4M x 64	None
72MB	(1) 8M x 64	(1) 1M x 64	None
72MB	(1) 4M x 64	(1) 4M x 64	(1) 1M x 64
80MB	(1) 8M x 64	(1) 1M x 64	(1) 1M x 64
80MB	(1) 8M x 64	(1) 2M x 64	None

DIMM CONFIGURATION (CON'T)

Size	Bank 0	Bank 1	Bank 2
80MB	(1) 4M x 64	(1) 4M x 64	(1) 2M x 64
88MB	(1) 8M x 64	(1) 2M x 64	(1) 1M x 64
96MB	(1) 8M x 64	(1) 2M x 64	(1) 2M x 64
96MB	(1) 8M x 64	(1) 4M x 64	None
96MB	(1) 4M x 64	(1) 4M x 64	(1) 4M x 64
104MB	(1) 8M x 64	(1) 4M x 64	(1) 1M x 64
112MB	(1) 8M x 64	(1) 4M x 64	(1) 2M x 64
128MB	(1) 16M x 64	None	None
128MB	(1) 8M x 64	(1) 4M x 64	(1) 4M x 64

128MB	(1) 8M x 64	(1) 8M x 64	None
136MB	(1) 16M x 64	(1) 1M x 64	None
136MB	(1) 8M x 64	(1) 8M x 64	(1) 1M x 64
144MB	(1) 16M x 64	(1) 1M x 64	(1) 1M x 64
144MB	(1) 16M x 64	(1) 2M x 64	None
144MB	(1) 8M x 64	(1) 8M x 64	(1) 2M x 64
152MB	(1) 16M x 64	(1) 2M x 64	(1) 1M x 64
160MB	(1) 16M x 64	(1) 2M x 64	(1) 2M x 64
160MB	(1) 16M x 64	(1) 4M x 64	None
160MB	(1) 8M x 64	(1) 8M x 64	(1) 4M x 64
168MB	(1) 16M x 64	(1) 4M x 64	(1) 1M x 64
176MB	(1) 16M x 64	(1) 4M x 64	(1) 2M x 64
192MB	(1) 16M x 64	(1) 4M x 64	(1) 4M x 64
192MB	(1) 16M x 64	(1) 8M x 64	None
192MB	(1) 8M x 64	(1) 8M x 64	(1) 8M x 64
200MB	(1) 16M x 64	(1) 8M x 64	(1) 1M x 64
208MB	(1) 16M x 64	(1) 8M x 64	(1) 2M x 64
224MB	(1) 16M x 64	(1) 8M x 64	(1) 4M x 64
256MB	(1) 16M x 64	(1) 8M x 64	(1) 8M x 64
384MB	(1) 16M x 64	(1) 16M x 64	(1) 16M x 64

Note: Board accepts SDRAM memory.

CACHE CONFIGURATION

Note: 256KB/512KB cache is located on the Pentium II CPU.

CPU SPEED SELECTION

CPU speed	Clock speed	Multiplier	SW1/1	SW1/2	SW1/3	SW1/4
266MHz	66MHz	4x	On	On	On	Off

300MHz	66MHz	4.5x	On	Off	On	Off
333MHz	66MHz	5x	On	Off	Off	Off
350MHz	100MHz	3.5x	On	Off	Off	On
400MHz	100MHz	4x	On	On	On	Off