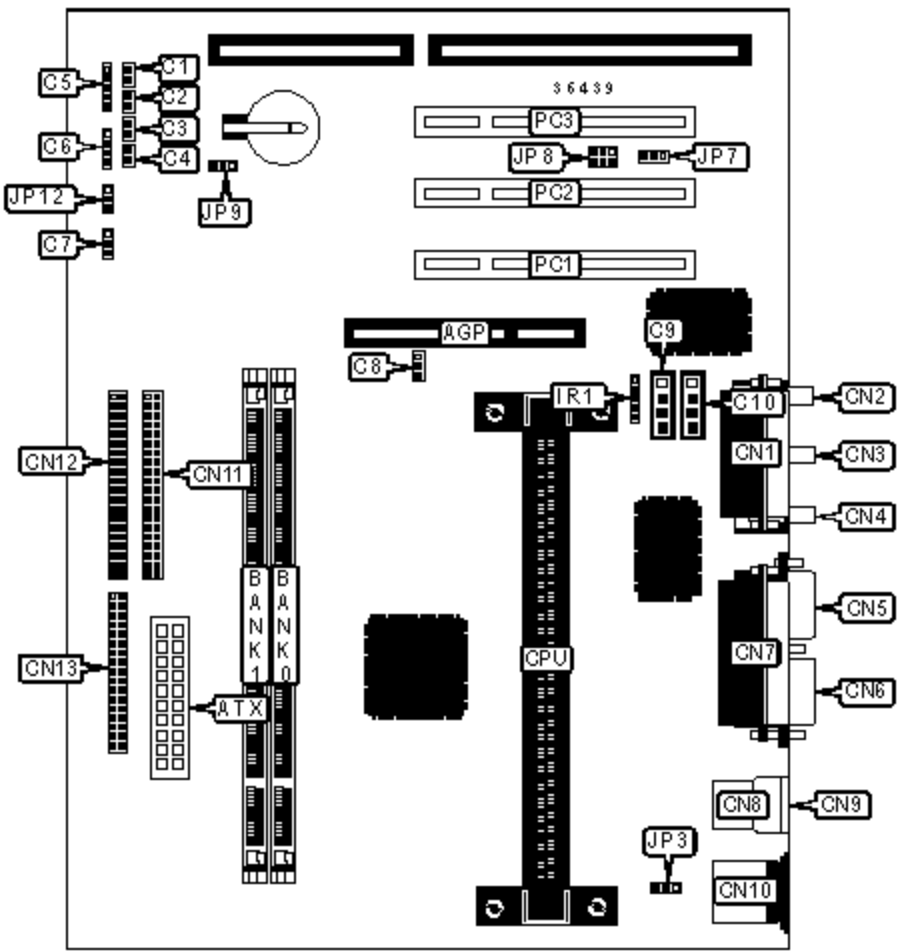


# EFA CORPORATION

## P6EX-MATX

<b>Device Type</b>	Mainboard
<b>Processor</b>	Pentium II/Celeron
<b>Processor Speed</b>	233/266/300/333MHz
<b>Chip Set</b>	Intel 440LX/EX
<b>Maximum Onboard Memory</b>	256MB (EDO & SDRAM supported)
<b>Audio Chip Set</b>	ESS
<b>Cache</b>	0/128/512KB (located on the CPU)
<b>BIOS</b>	Award
<b>Dimensions</b>	305mm x 244mm
<b>I/O Options</b>	32-bit PCI slots (3), floppy drive interface, game/MIDI port, green PC connector, IDE interfaces (2), parallel port, PS/2 mouse port, serial ports (2), IR connector, USB connectors (2), ATX power connector, AGP slot, line in, line out, microphone in, audio in - CD-ROMs (2), SB-link connector, wake on LAN connector



### CONNECTIONS

Purpose	Location	Purpose	Location
AGP slot	AGP	Line out	CN4
ATX power connector	ATX	Serial port 2	CN5
Speaker	C1	Serial port 1	CN6
Power LED & keylock	C2	Parallel port	CN7

IDE interface LED	C3	USB connector 1	CN8
Green PC LED	C4	USB connector 2	CN9
Reset switch	C5	PS/2 mouse port	CN10
Soft off power supply	C6	IDE interface 2	CN11
Chassis fan power	C7	IDE interface 1	CN12
CPU fan power	C8	Floppy drive interface	CN13
Audio in - CD-ROM	C9	IR connector	IR1
Audio in - CD-ROM	C10	Wake on LAN connector	JP7
Game/MIDI port	CN1	SB-link connector	JP8
Microphone in	CN2	32-bit PCI slots	PC1 - PC3
Line in	CN3		

#### USER CONFIGURABLE SETTINGS

Function		Label	Position
	Keyboard power on enabled	JP3	Pins 2 & 3 closed
	Keyboard power on disabled	JP3	Pins 1 & 2 closed
»	CMOS memory normal operation	JP9	Pins 1 & 2 closed
	CMOS memory clear	JP9	Pins 2 & 3 closed
	Auto power on enabled	JP12	Pins 1 & 2 closed
	Auto power on disabled	JP12	Pins 2 & 3 closed

#### DIMM CONFIGURATION

Size	Bank 0	Bank 1
8MB	(1) 1M x 64	None
16MB	(1) 2M x 64	None
16MB	(1) 1M x 64	(1) 1M x 64
24MB	(1) 2M x 64	(1) 1M x 64

32MB	(1) 4M x 64	None
32MB	(1) 2M x 64	(1) 2M x 64
40MB	(1) 4M x 64	(1) 1M x 64
48MB	(1) 4M x 64	(1) 2M x 64
64MB	(1) 8M x 64	None
64MB	(1) 4M x 64	(1) 4M x 64
72MB	(1) 8M x 64	(1) 1M x 64
80MB	(1) 8M x 64	(1) 2M x 64
96MB	(1) 8M x 64	(1) 4M x 64
128MB	(1) 16M x 64	None
128MB	(1) 8M x 64	(1) 8M x 64
136MB	(1) 16M x 64	(1) 1M x 64
144MB	(1) 16M x 64	(1) 2M x 64

#### DIMM CONFIGURATION (CON'T)

Size	Bank 0	Bank 1
160MB	(1) 16M x 64	(1) 4M x 64
192MB	(1) 16M x 64	(1) 8M x 64
256MB	(1) 16M x 64	(1) 16M x 64

Note: Board accepts EDO & SDRAM memory.

#### CACHE CONFIGURATION

Note: 512KB cache is located on the Pentium II CPU. 128KB cache is located on the Celeron 300A & 333 CPU.